



US00D829091S

(12) **United States Design Patent** (10) **Patent No.:** **US D829,091 S**
Hancock (45) **Date of Patent:** **** Sep. 25, 2018**

- (54) **WALL PROTECTOR**
- (71) Applicant: **Tate D. Hancock**, Wichita, KS (US)
- (72) Inventor: **Tate D. Hancock**, Wichita, KS (US)
- (**) Term: **15 Years**
- (21) Appl. No.: **29/611,901**
- (22) Filed: **Jul. 26, 2017**

- D438,784 S * 3/2001 Berger D8/402
- D481,624 S * 11/2003 Miskill D8/400
- D481,652 S 11/2003 Kamysiak
- 6,938,966 B1 9/2005 Rouwhorst et al.
- D526,189 S * 8/2006 Haymond D8/402
- D553,487 S 10/2007 Quan
- D668,138 S * 10/2012 Aquil D8/402
- D741,690 S 10/2015 Collins, IV

(Continued)

Related U.S. Application Data

- (63) Continuation-in-part of application No. 29/590,718, filed on Jan. 12, 2017.
- (51) **LOC (11) Cl.** **08-09**
- (52) **U.S. Cl.**
USPC **D8/402**
- (58) **Field of Classification Search**
USPC D8/380, 381, 400, 402, 499
CPC E04F 19/026; E04F 11/1804; A47B 95/00;
A47B 97/00
See application file for complete search history.

(56) **References Cited**

U.S. PATENT DOCUMENTS

- D27,468 S * 8/1897 Smith D8/344
- D28,857 S * 6/1898 Taplin D8/402
- D89,325 S 2/1933 Wolfman
- D122,800 S * 10/1940 Mann et al. D8/402
- D235,620 S 7/1975 Forseth
- D288,291 S * 2/1987 Angle D8/350
- D288,525 S 3/1987 Angle
- D324,170 S 2/1992 Ownes et al.
- D352,889 S 11/1994 Crowther et al.
- D368,022 S 3/1996 Angle
- D379,922 S 6/1997 Adams
- D403,750 S 1/1999 Fabian
- D407,303 S * 3/1999 Engberg D8/402
- D412,106 S 6/1999 Kennard, IV
- D418,745 S * 1/2000 Berger D25/157
- D433,320 S * 11/2000 Ware D8/402

OTHER PUBLICATIONS

Wall Guard for Pressure Gates, posted at amazon.com, posting date not given, [online], [site visited Mar. 23, 2018]. Available from Internet, URL: <https://www.amazon.com/dp/B01MXYINK5> (Year: 2018).*

(Continued)

Primary Examiner — George D Kirschbaum
Assistant Examiner — Maria J Edwards
(74) *Attorney, Agent, or Firm* — Law Office of Mark Brown, LLC; Christopher M. DeBacker

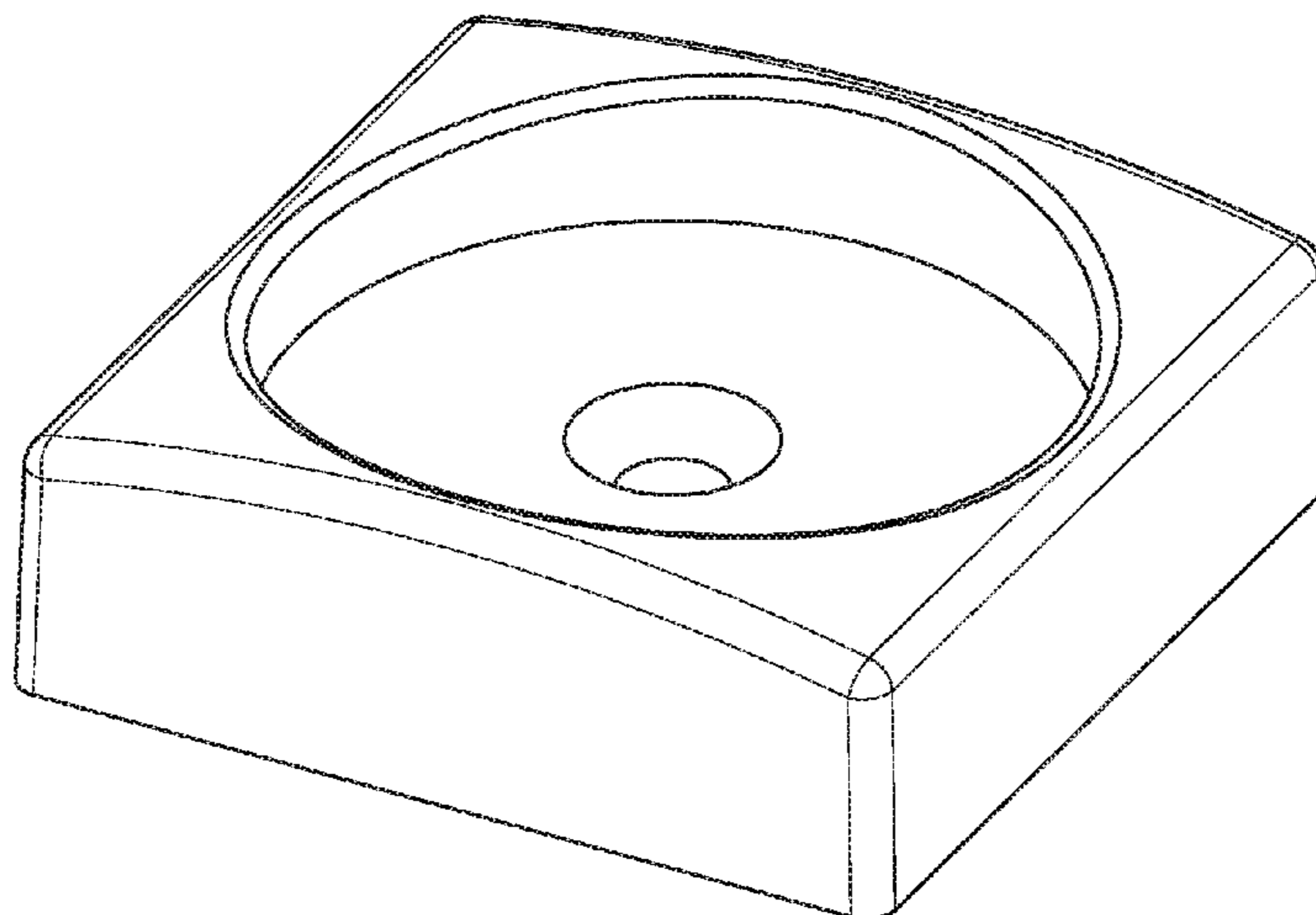
(57) **CLAIM**

The ornamental design for a wall protector, as shown and described.

DESCRIPTION

FIG. 1 is a front isometric view of a wall protector according to the present design.
FIG. 2 is a rear isometric view thereof;
FIG. 3 is a front elevational view thereof, the rear elevational view being a mirror image;
FIG. 4 is a top plan view thereof;
FIG. 5 is a bottom plan view thereof;
FIG. 6 is a sectional view taken along the line indicated in FIG. 5; and,
FIG. 7 is a sectional view taken along the line indicated in FIG. 4.

1 Claim, 5 Drawing Sheets



(56)

References Cited

U.S. PATENT DOCUMENTS

D743,852	S	11/2015	Rouzaud
D772,695	S	11/2016	Burge
D772,696	S	11/2016	Burge
D783,386	S	4/2017	Collins, IV
2004/0129186	A1	7/2004	Curiger
2004/0221539	A1	11/2004	Rouail
2008/0135567	A1	6/2008	McGee
2012/0023707	A1	2/2012	Edwards
2016/0352054	A1	12/2016	Xiang et al.
2017/0231399	A1	8/2017	Backus, III

OTHER PUBLICATIONS

Wall Nanny, posted at amazon.com, posting date Jan. 20, 2017, [online], [site visited Mar. 23, 2018]. Available from Internet, URL: <https://www.amazon.com/VVall-Nanny-Pack-Protector-Spindles/dp/B06XK2T96P> (Year: 2017).*

“Baby Gate Wall Cups”, posted at amazon.com, posting date not given, [online], [site visited Mar. 23, 2018]. Available from Internet, URL: <https://www.amazon.com/Bumpers-Doorway-Baseboard-Pressure-Mounted/dp/B01L8B1RZG/> (Year: 2018).

“Baby Gate Wall Protector Cups”, posted at amazon.com, posting date not given, [online], [site visited Mar. 23, 2018]. Available from

Internet, URL: <https://www.amazon.com/dp/B077M5ZD8L/> (Year: 2018).

“Low-Profile Wall Nanny”, posted at amazon.com, posting date Aug. 8, 2017, [online], [site visited Mar. 23, 2018]. Available from Internet, URL: <https://www.amazon.com/dp/B073XNMDNX/> (Year: 2017).

“Pressure Gate Wall Protector with Motion Sensor LED Nightlight”, posting date not given, [online], [site visited Mar. 23, 2018]. Available for internet, URL: <https://www.amazon.com-Indoor-Pressure-Protector-Motion-Nightlight/B06X16W1ZX> (Year: 2018).

“Prime Line Hexagon Wall Protector”, posted at homedepot.com, posting date not given, [online], [site visited Mar. 23, 2018]. Available from Internet, URL: <https://www.homedepot.com/p/Prinne-Line-5-in-Hexagon-Wall-Protector-U-9140/100546208> (Year: 2018).

“Wall Protector 2x2”, posted at hdsupplysolutions.com, posting date not given, [online], [site visited Mar. 23, 2018]. Available from Internet, URL: <https://hdsupplysolutions.com/shop/p/wall-protector-2-x-2-self-adhesive-ivory-package-of-5-p807851> (Year: 2018).

“Wall Saver for Pressure Gates, 2 Pack, by Safety Innovations”, www.amazon.com product search, https://www.amazon.com/Wall-Saver-Pressure-Gates-Pack/dp/B00RYWO8BY/ref=sr_1_6_a_it?ie=UTF8&qid=1484754901&sr=8-6&keywords=wall+saver, Jan. 18, 2017, 1-14.

* cited by examiner

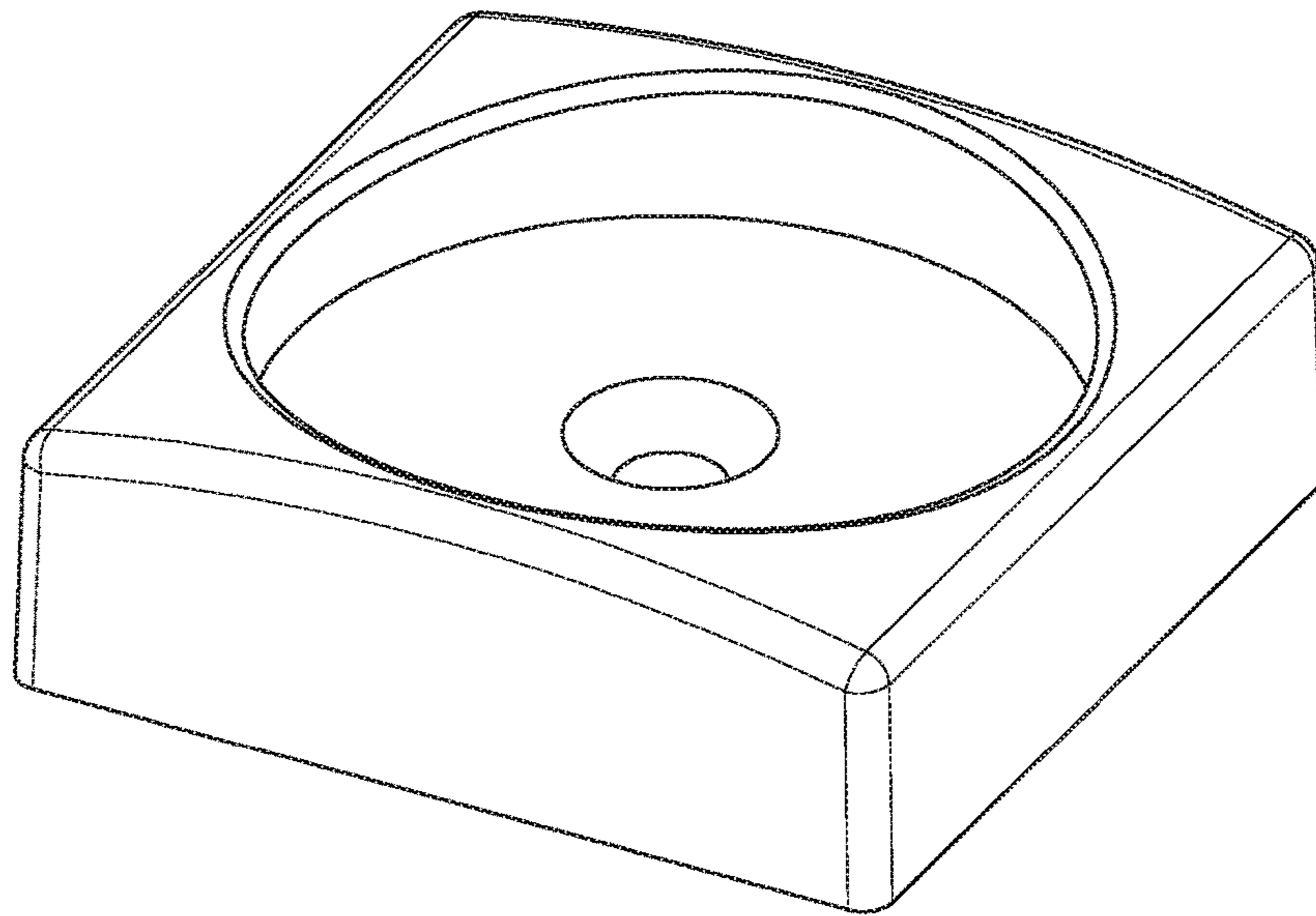


FIG. 1

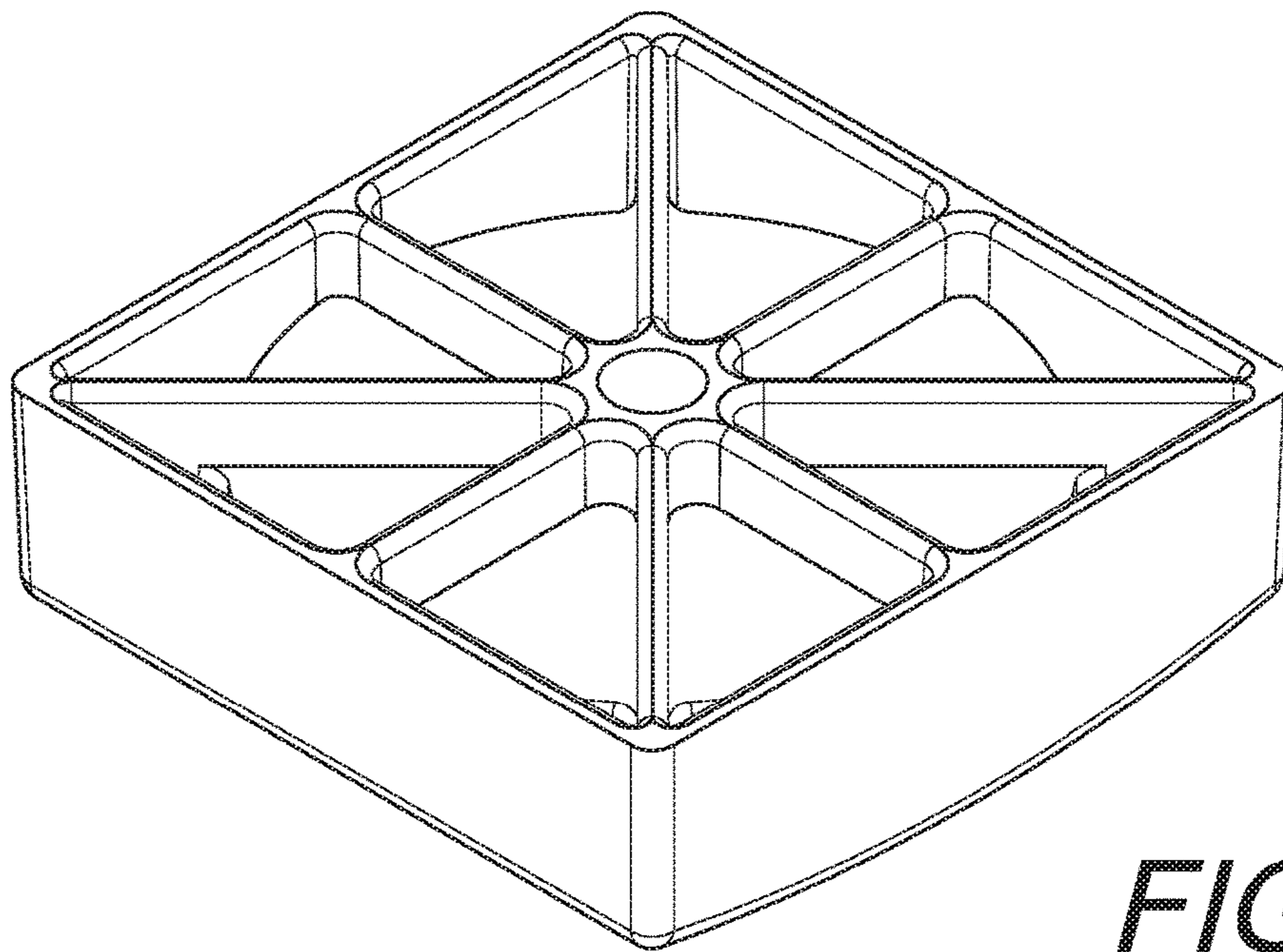


FIG. 2



FIG. 3

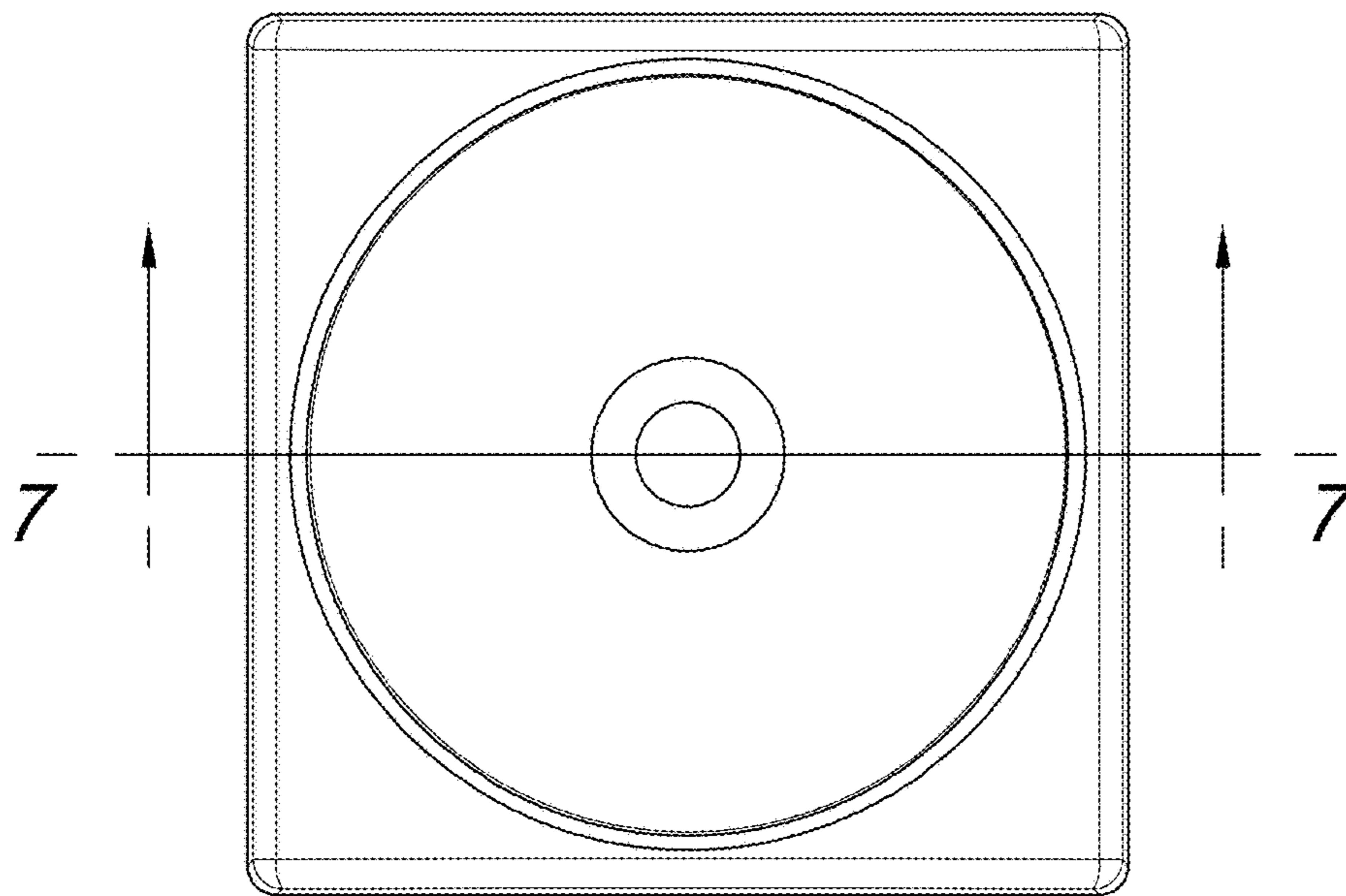


FIG. 4

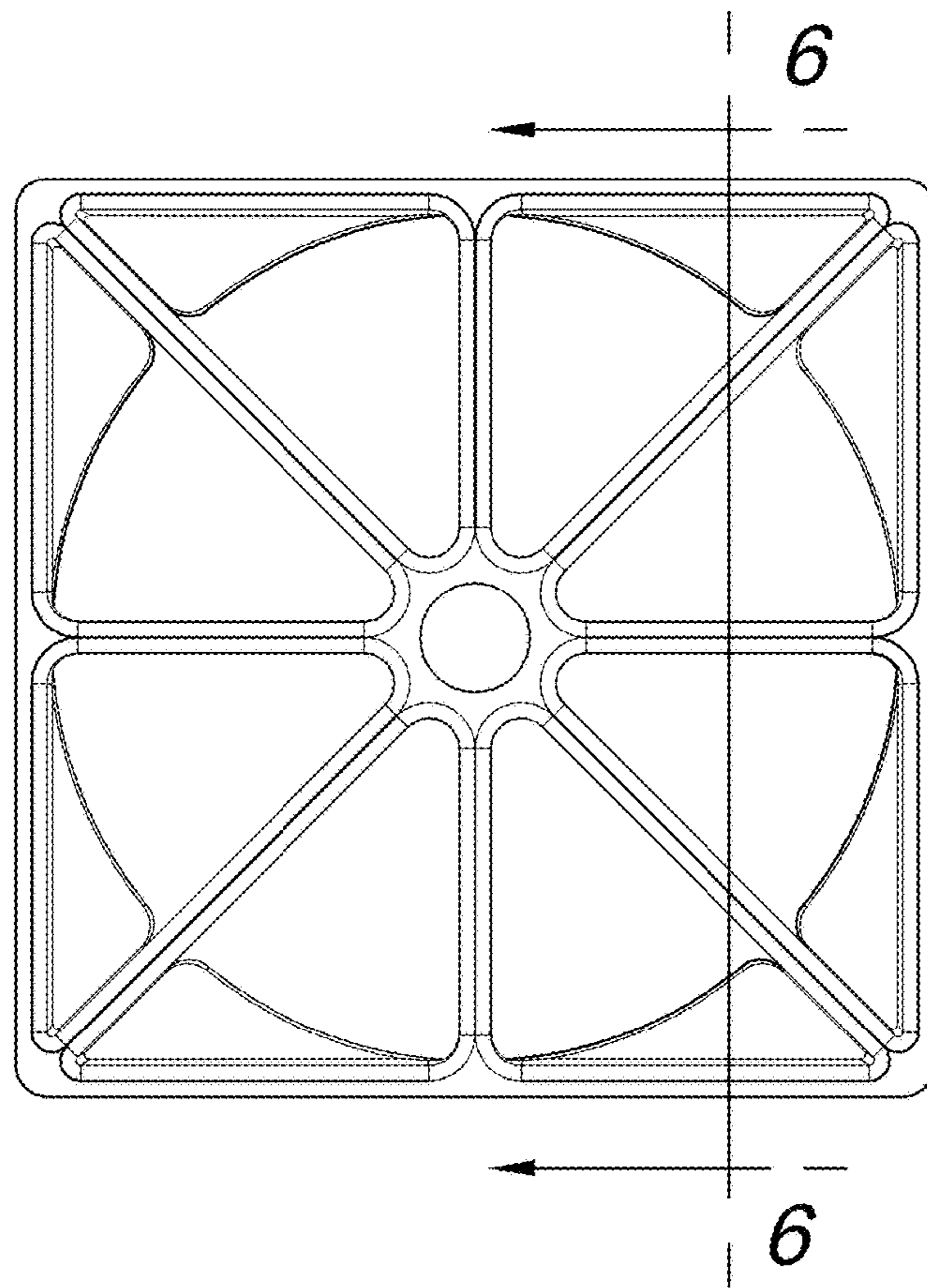


FIG. 5

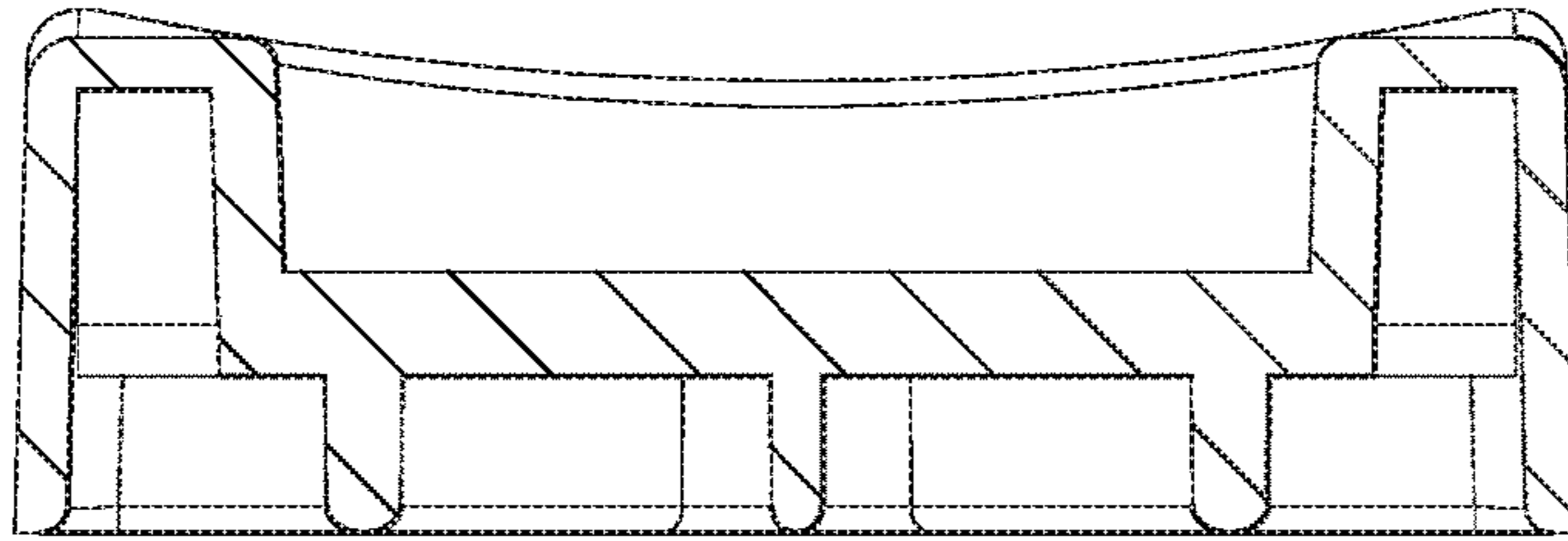


FIG. 6

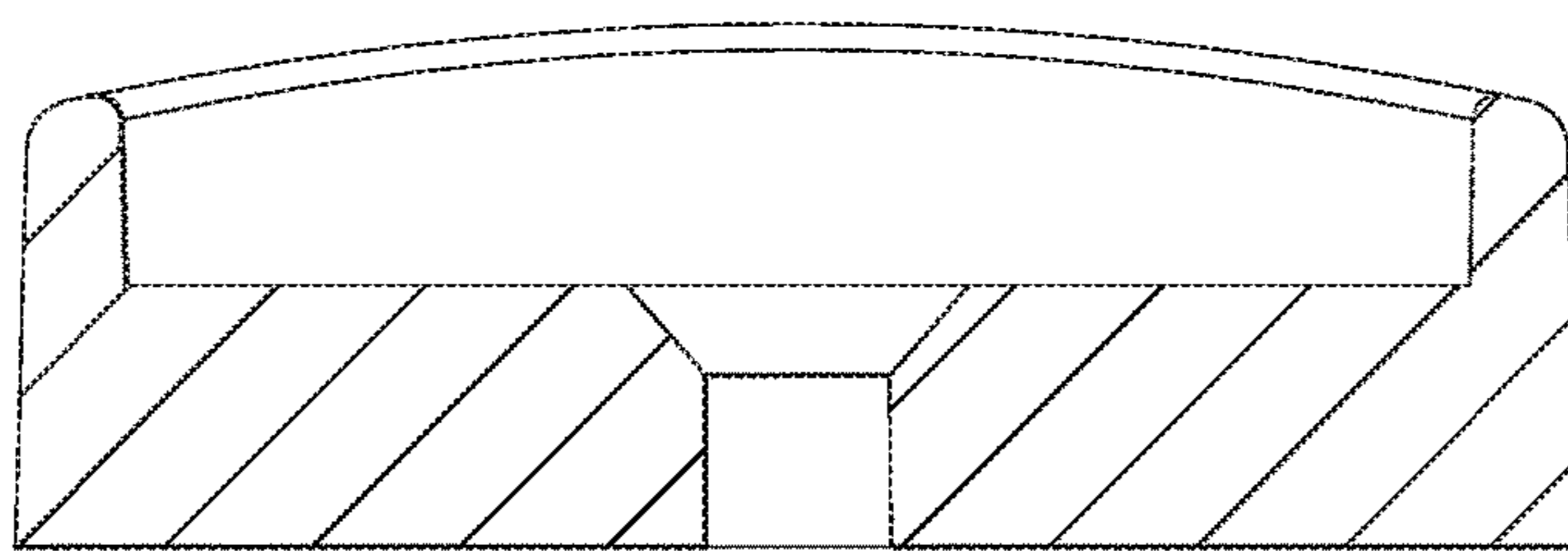


FIG. 7