



US00D829090S

(12) **United States Design Patent** (10) **Patent No.:** **US D829,090 S**
Toll et al. (45) **Date of Patent:** **** Sep. 25, 2018**

(54) **ADJUSTABLE P CLAMP** 5,020,749 A 6/1991 Kraus
5,367,750 A 11/1994 Ward
(71) Applicant: **HellermannTyton Corporation,** 5,384,936 A * 1/1995 Van Walraven F16L 3/12
Milwaukee, WI (US) 24/279

(Continued)

(72) Inventors: **Michael Toll**, Whitefish Bay, WI (US);
Gerard G. Geiger, Jackson, WI (US);
Christopher J. Rohde, West Allis, WI (US)

FOREIGN PATENT DOCUMENTS

CN 3495030 12/2005
CN 303223493 5/2015

(Continued)

(73) Assignee: **HELLERMANN TYTON CORPORATION**, Milwaukee, WI (US)

OTHER PUBLICATIONS

(**) Term: **15 Years**

Repair Clamp Hinge | Enxia, <http://www.enxia.fi/products/yn-couplings/repair-clamp-hinge/?lang=en>, site visited May 12, 2018 (Year: 2018).*

(21) Appl. No.: **29/596,250**

(Continued)

(22) Filed: **Mar. 7, 2017**

Primary Examiner — John Windmuller
Assistant Examiner — John R Yeh
(74) *Attorney, Agent, or Firm* — Robert J. Myers

Related U.S. Application Data

(63) Continuation-in-part of application No. 29/560,432, filed on Apr. 6, 2016.

(51) **LOC (11) Cl.** **08-08**

(52) **U.S. Cl.**
USPC **D8/396**

(58) **Field of Classification Search**
USPC D8/394-396, 71-72, 79; D23/262-265; D25/199; D12/415
CPC F16L 3/1075; F16L 3/2336; F16L 3/12; F16L 55/18; F16L 21/06; F16L 17/00; F16L 23/00; F16B 11/006; F16B 5/06; A44C 5/22; A42B 3/14; B65H 59/00
See application file for complete search history.

(57) **CLAIM**

The ornamental design for an adjustable P clamp, as shown and described.

DESCRIPTION

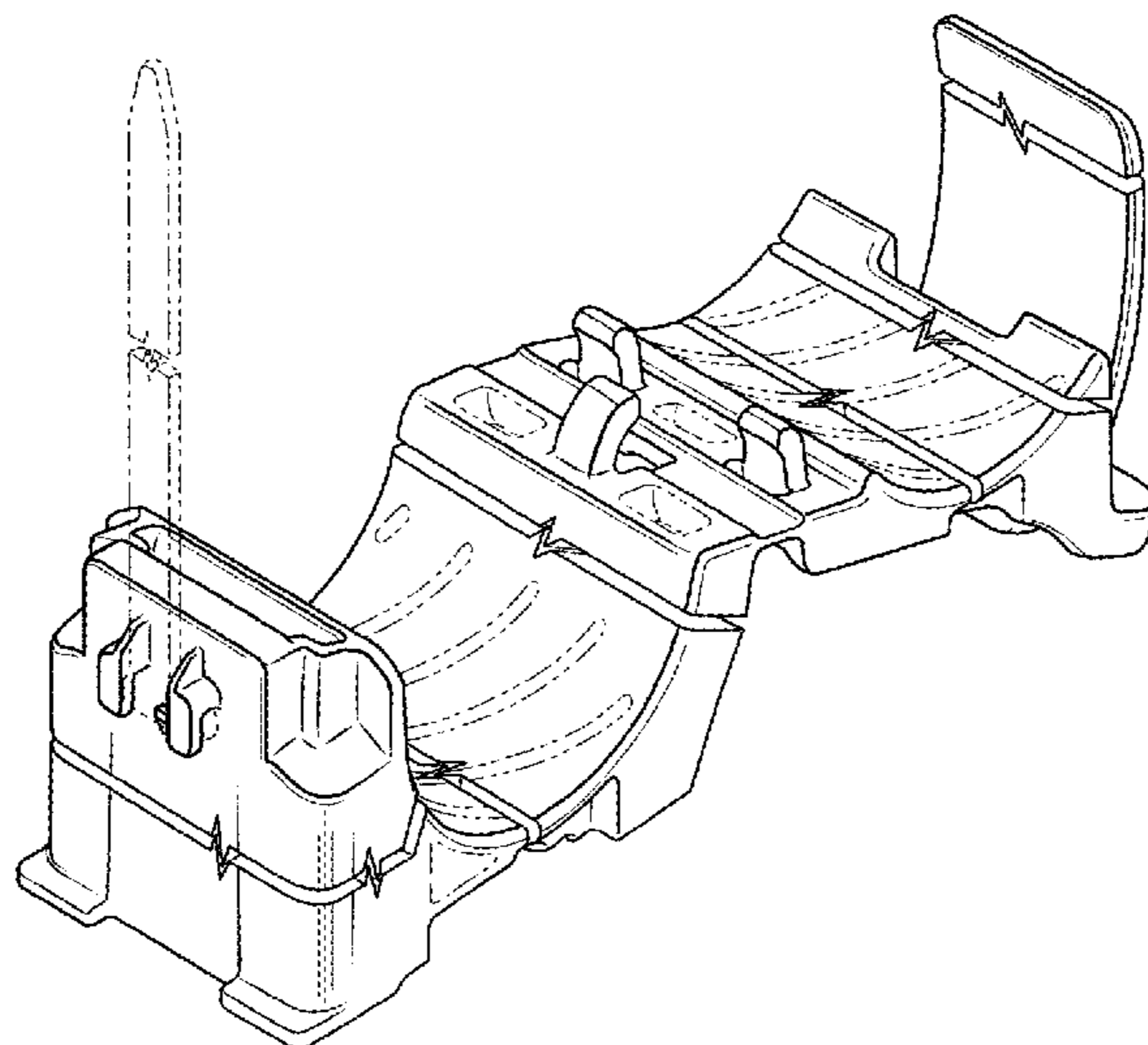
FIG. 1 is a perspective view of our design for an adjustable P clamp;
FIG. 2 is a front elevation view thereof;
FIG. 3 is a back elevation view thereof;
FIG. 4 is a top plan view thereof;
FIG. 5 is a bottom plan view thereof;
FIG. 6 is a left elevation view thereof; and,
FIG. 7 is a right elevation view thereof.
The broken lines illustrate portions of the adjustable P-clamp that form no part of the claimed design. Portions of the adjustable P clamp are shown broken away to indicate that these portions have no particular length beyond what is shown.

(56) **References Cited**

U.S. PATENT DOCUMENTS

4,264,047 A 4/1981 Nelson et al.
D263,332 S 3/1982 Butterfield
D305,099 S 12/1989 Naruse Koji

1 Claim, 2 Drawing Sheets



(56)

References Cited

U.S. PATENT DOCUMENTS

D380,144 S 6/1997 Lew
 D389,052 S * 1/1998 Yamamoto D8/396
 D411,440 S 6/1999 Stahel
 D414,404 S 9/1999 van de Lande
 D516,903 S 3/2006 Friedline et al.
 7,007,900 B2 * 3/2006 Goodwin H02G 7/053
 248/68.1
 D521,856 S * 5/2006 Waaler D8/394
 D536,958 S * 2/2007 Ruhlander D8/396
 7,284,728 B2 10/2007 Connolly
 D560,764 S * 1/2008 Gibb D23/265
 D562,677 S 2/2008 Farber et al.
 D577,423 S 9/2008 Dole
 7,500,643 B2 * 3/2009 Leone F16L 3/10
 248/56
 D605,018 S * 12/2009 Price D15/123
 D614,947 S 5/2010 Hennon
 D625,585 S 10/2010 Kramer
 8,020,812 B2 * 9/2011 Matsuno F16L 3/1075
 24/336
 8,286,923 B2 * 10/2012 Kobayashi B60R 16/0215
 24/530
 D672,229 S 12/2012 Reid
 D711,730 S 8/2014 Mckiernan
 8,827,214 B2 * 9/2014 Ogawa F16L 3/1041
 248/74.1
 9,127,740 B2 9/2015 Shinoda
 9,200,863 B2 * 12/2015 Bednar F41B 5/123
 D762,463 S * 8/2016 Espinosa, Jr. D8/382
 D770,885 S * 11/2016 Miros D8/382
 D784,799 S * 4/2017 Toll D8/396
 D789,779 S * 6/2017 Asai B60R 16/0215
 D8/396
 D802,409 S * 11/2017 Caron D8/396

D804,942 S * 12/2017 Toll D8/396
 D807,137 S * 1/2018 Whitaker D8/72
 2012/0227221 A1 * 9/2012 Whitaker A61M 39/1011
 24/459
 2013/0193289 A1 8/2013 Goffman
 2015/0108288 A1 * 4/2015 Lee A47B 96/1425
 248/68.1
 2015/0304487 A1 10/2015 Chaput
 2016/0178090 A1 6/2016 Schilling
 2016/0318624 A1 11/2016 Skibba
 2017/0227141 A1 * 8/2017 Toll F16L 3/1075
 2018/0072248 A1 * 3/2018 Ohashi B60R 16/0215

FOREIGN PATENT DOCUMENTS

EP 0069223 A1 1/1983
 EP 2058242 A1 5/2009
 EP 2141397 A1 1/2010
 GB 6002764 * 11/2016
 KR 300825369 11/2015

OTHER PUBLICATIONS

Style 99 Plain End Roust-A-Bout Coupling, website 2018, <http://www.iac-intl.com/product/style-99-plain-end-roust-a-bout-coupling/>, site visited May 12, 2018 (Year: 2018).*
 NPL Youtube Ratchet P Clamp video publish date 2018, site visited May 12, 2018, <https://www.youtube.com/watch?v=UyLKOWQ9aKg> (Year: 2018).*
 HellermannTyton, P-clamp, article date Feb. 2, 2016, <http://www.hellermanntyton.us/news.aspx?n=3801>, [site visited Nov. 30, 2016 6:20:38 PM].
 Rubber' Lined P-Clip / p. Clamps / Kainuo, website 2016, <http://clarnpcoupling.com/4-7-rubber-lined-p-clip/222379>, [site visited Nov. 30, 2016 7:22:01 Pm].

* cited by examiner

Fig. 1

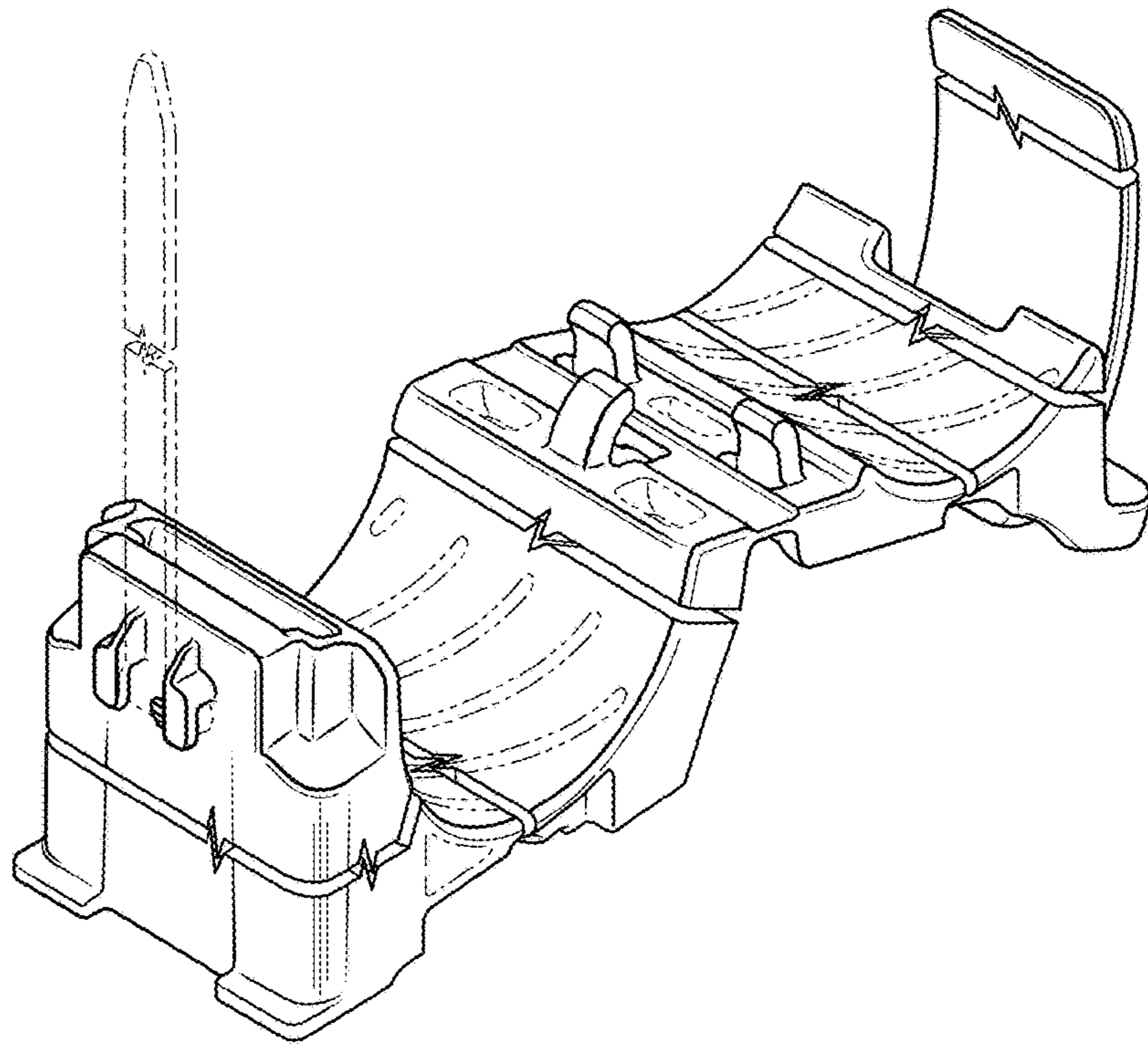


Fig. 2

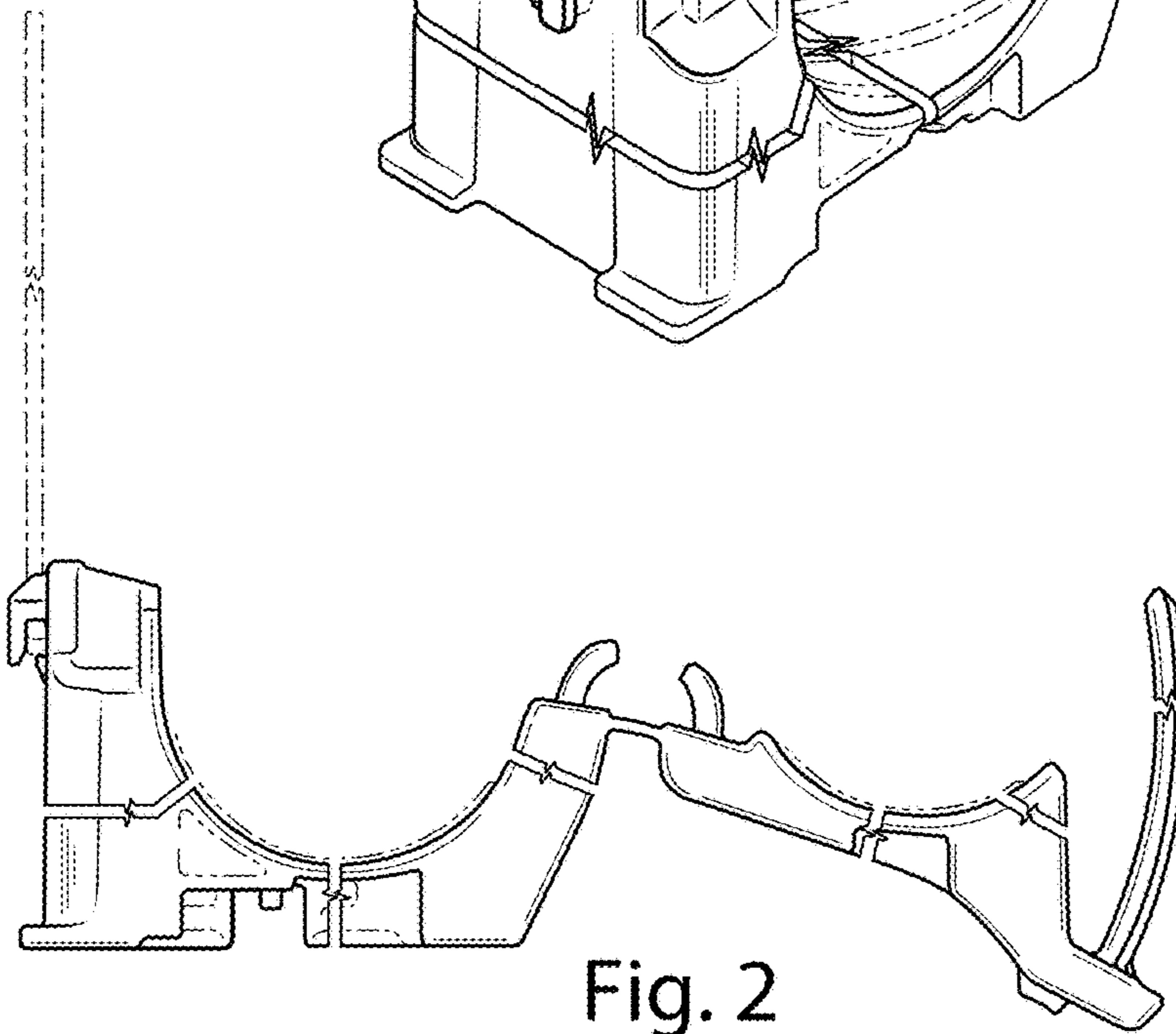
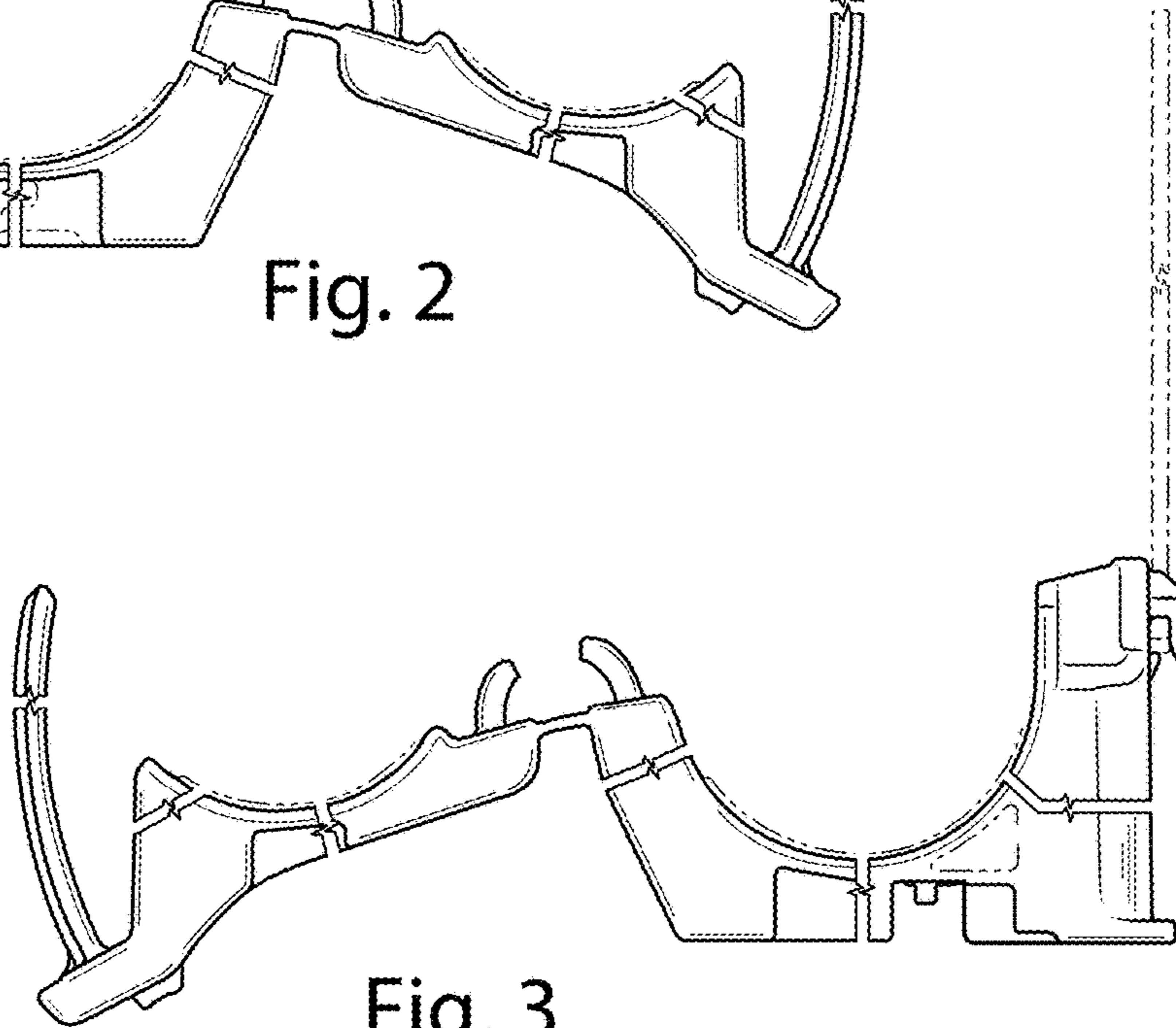


Fig. 3



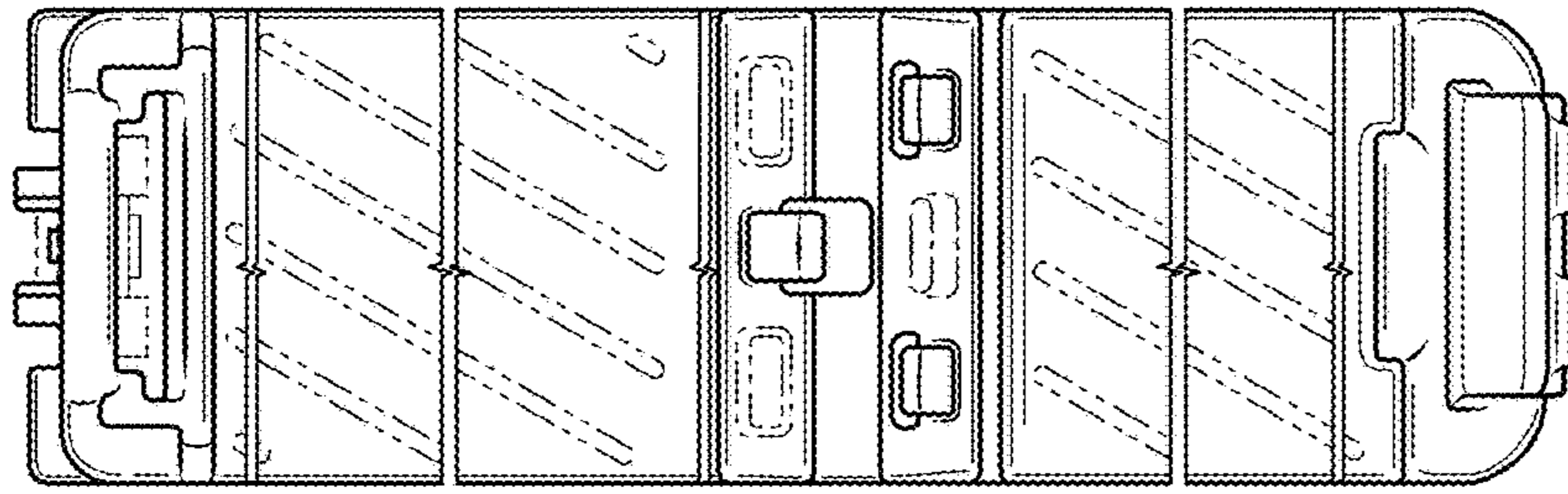


Fig. 4

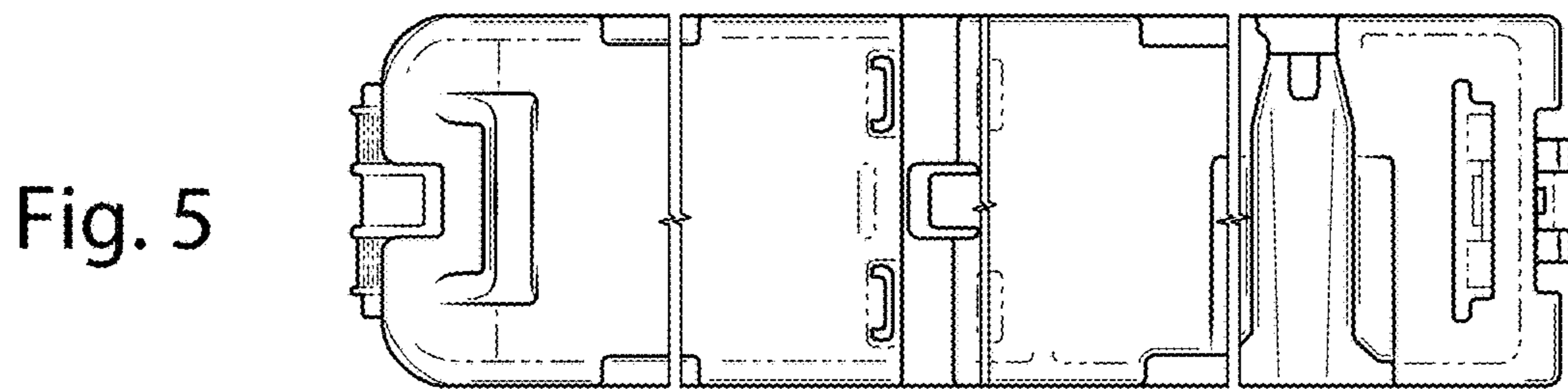


Fig. 5

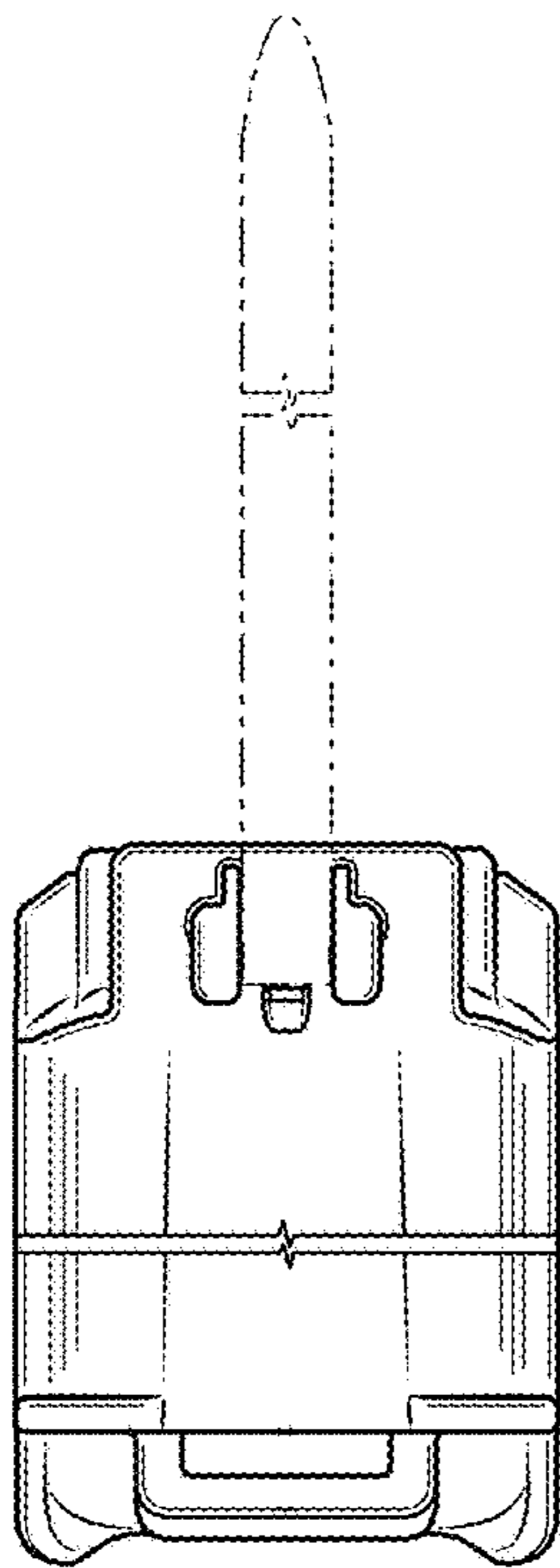


Fig. 6

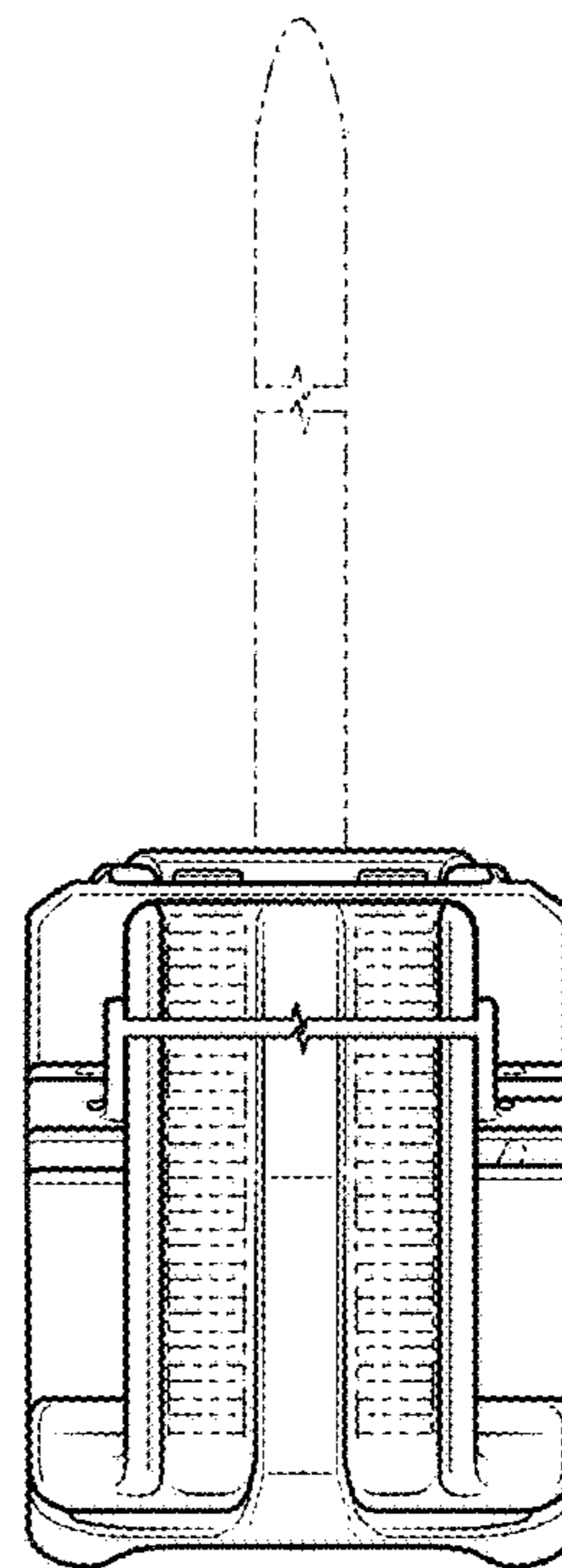


Fig. 7