



US00D829087S

(12) **United States Design Patent** (10) **Patent No.:** **US D829,087 S**
Law (45) **Date of Patent:** **** Sep. 25, 2018**

(54) **FASTENER**
(71) Applicant: **Phillip Law**, York (AU)
(72) Inventor: **Phillip Law**, York (AU)
(**) Term: **15 Years**
(21) Appl. No.: **29/586,539**
(22) Filed: **Dec. 5, 2016**
(51) **LOC (11) Cl.** **08-08**
(52) **U.S. Cl.**
USPC **D8/387**
(58) **Field of Classification Search**
USPC D8/349, 382, 385, 387, 388, 391, 393,
D8/397, 399
CPC .. F16B 25/0063; F16B 5/0225; F16B 5/0283;
F16B 25/0031; F16B 19/00; F16B 19/02;
F16B 35/04; F16B 35/06; F16B 35/041;
F16B 35/042; F16B 35/044; F16B
35/047; F16B 33/02
See application file for complete search history.

(56) **References Cited**
U.S. PATENT DOCUMENTS
3,189,075 A * 6/1965 Jobe F16B 35/041
411/272
4,948,312 A * 8/1990 Jochum F16B 19/14
408/202
D346,954 S * 5/1994 Vandermast D8/382
D567,074 S * 4/2008 Gallien D8/387
8,137,042 B2 * 3/2012 Severns F16B 5/0275
411/387.1
D720,609 S * 1/2015 David D8/387
D733,546 S * 7/2015 Balzhiser D8/387
9,140,001 B1 * 9/2015 Hohmann, Jr. E04B 1/4178
D799,313 S * 10/2017 von Wilcke D8/393

2005/0025566 A1* 2/2005 Hasegawa F16B 5/0233
403/408.1
2012/0155986 A1* 6/2012 Schaser B21H 3/022
411/337
2016/0305465 A1* 10/2016 Hess F16B 37/00
2017/0058520 A1* 3/2017 Keith E04C 2/2885
2017/0175795 A1* 6/2017 Hess F16B 39/24
2017/0321742 A1* 11/2017 Tamer F16B 39/282

* cited by examiner

Primary Examiner — Sandra S Snapp
Assistant Examiner — Ieisha N Price
(74) *Attorney, Agent, or Firm* — Mayback & Hoffman,
P.A.; Gregory L Mayback

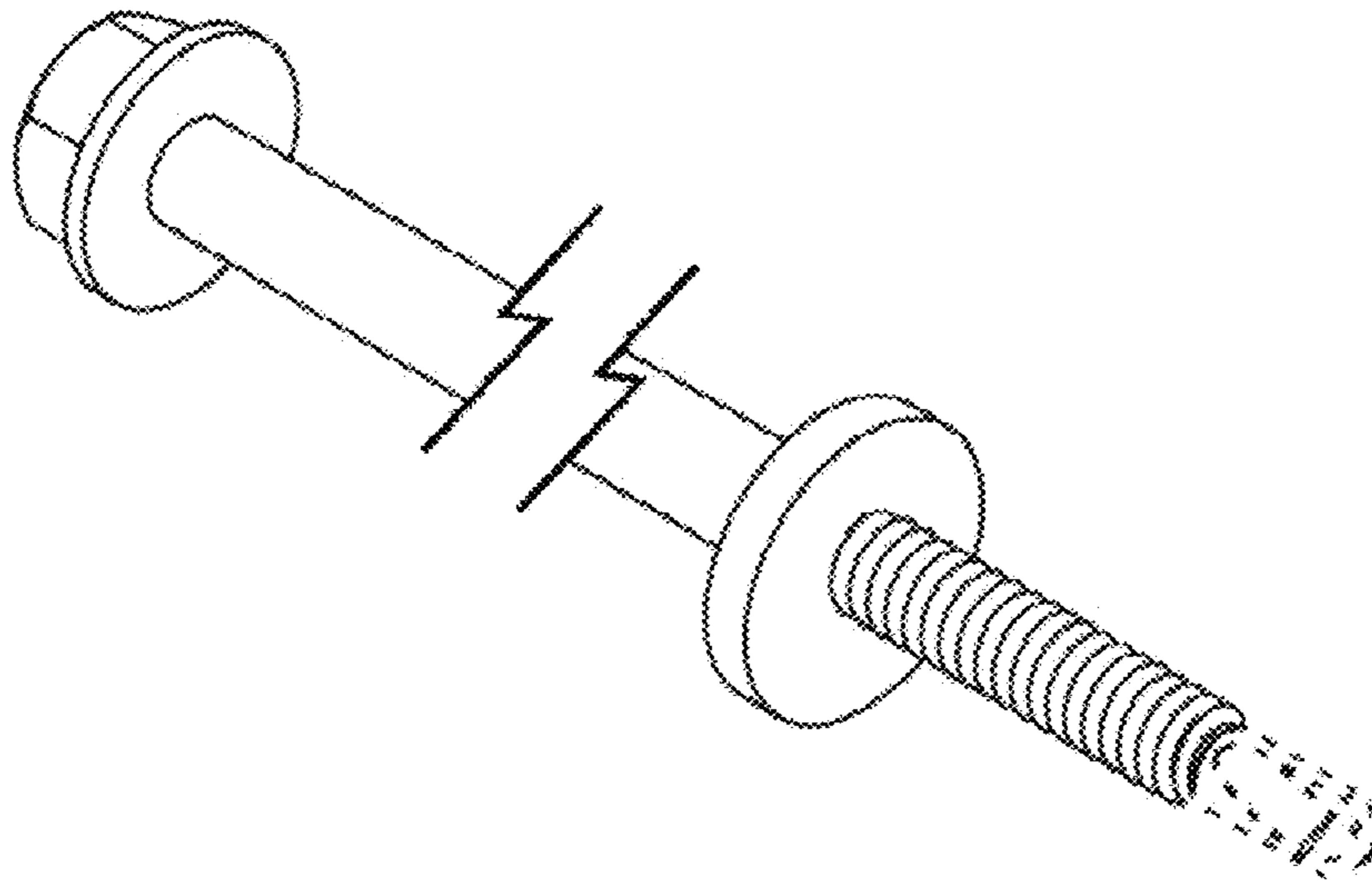
(57) **CLAIM**

The ornamental design for a fastener, as shown and described.

DESCRIPTION

FIG. 1 is a perspective view of the fastener from above; FIG. 2 is a perspective view of the fastener of FIG. 1 from below; FIG. 3 is a bottom plan view of the fastener of FIG. 1; FIG. 4 is a top plan view of the fastener of FIG. 1; FIG. 5 is a front elevational view of the fastener of FIG. 1; FIG. 6 is a left side elevational view of the fastener of FIG. 1; FIG. 7 is a right side elevational view of the fastener of FIG. 1; and, FIG. 8 is a rear elevational view of the fastener of FIG. 1. The broken lines in the drawings illustrate portions of the fastener and form no part of the claimed design. The fastener is shown with a symbolic break in its length. The appearance of any portion of the article between the break lines forms no part of the claimed design.

1 Claim, 2 Drawing Sheets



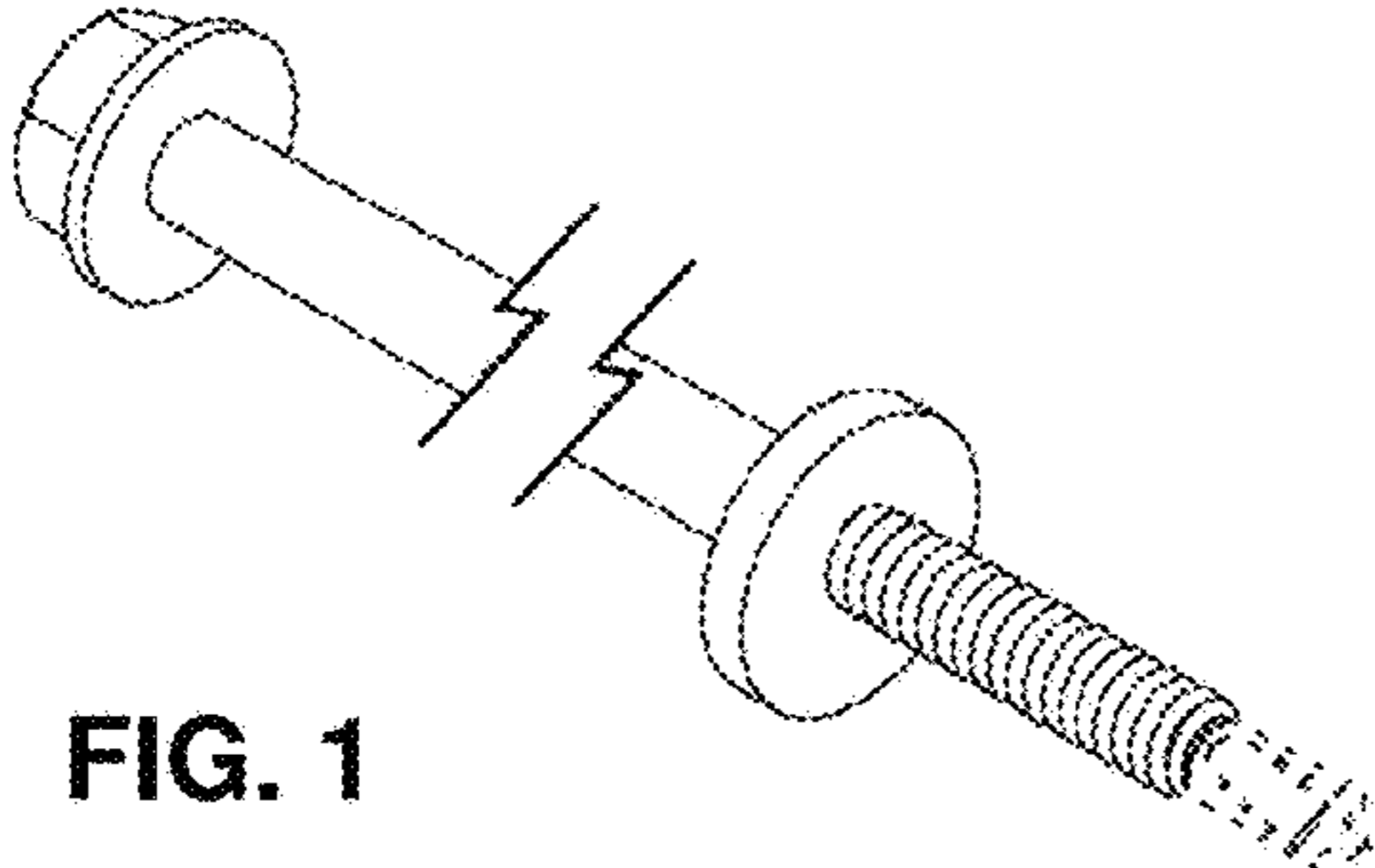


FIG. 1

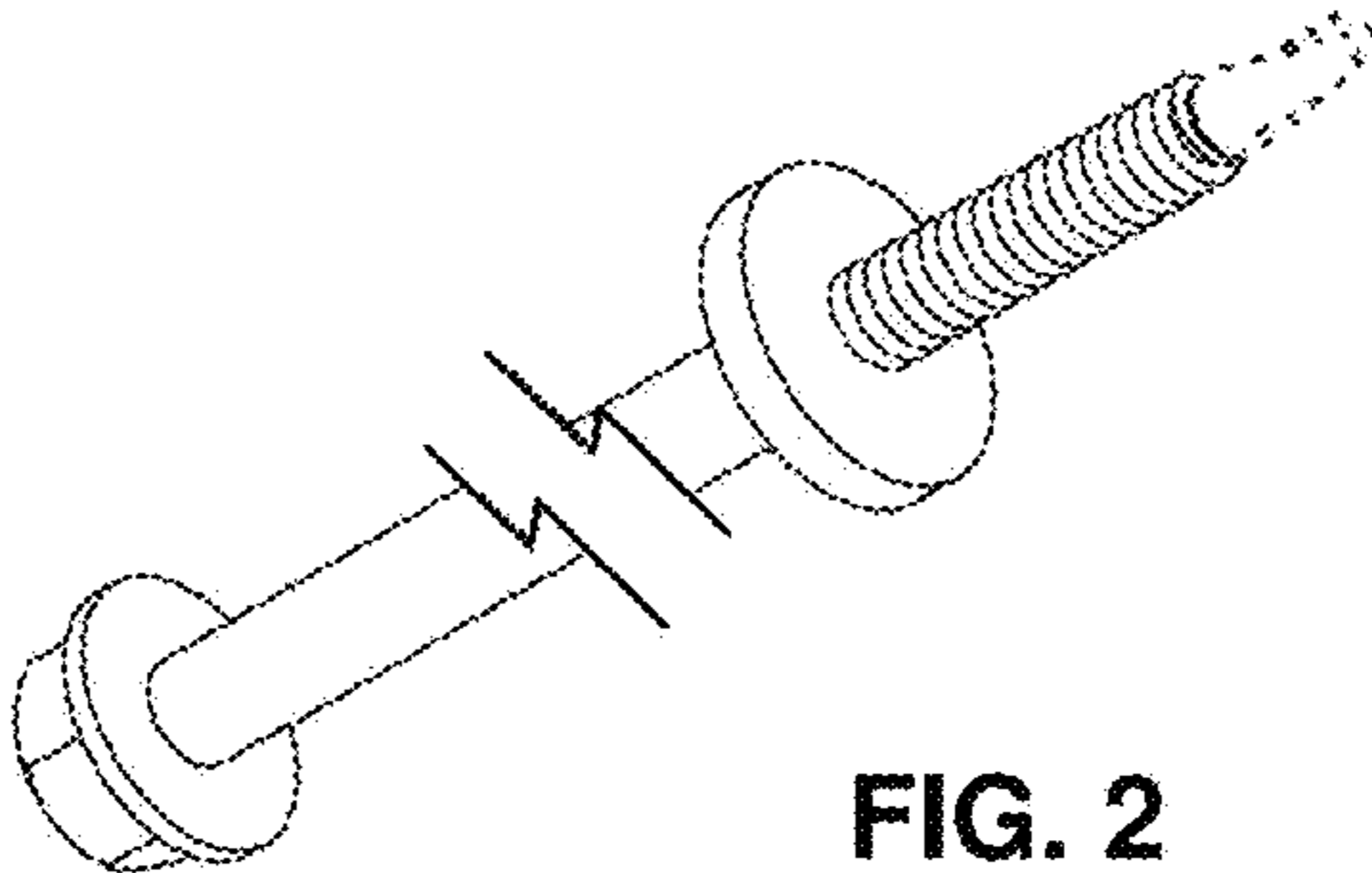


FIG. 2

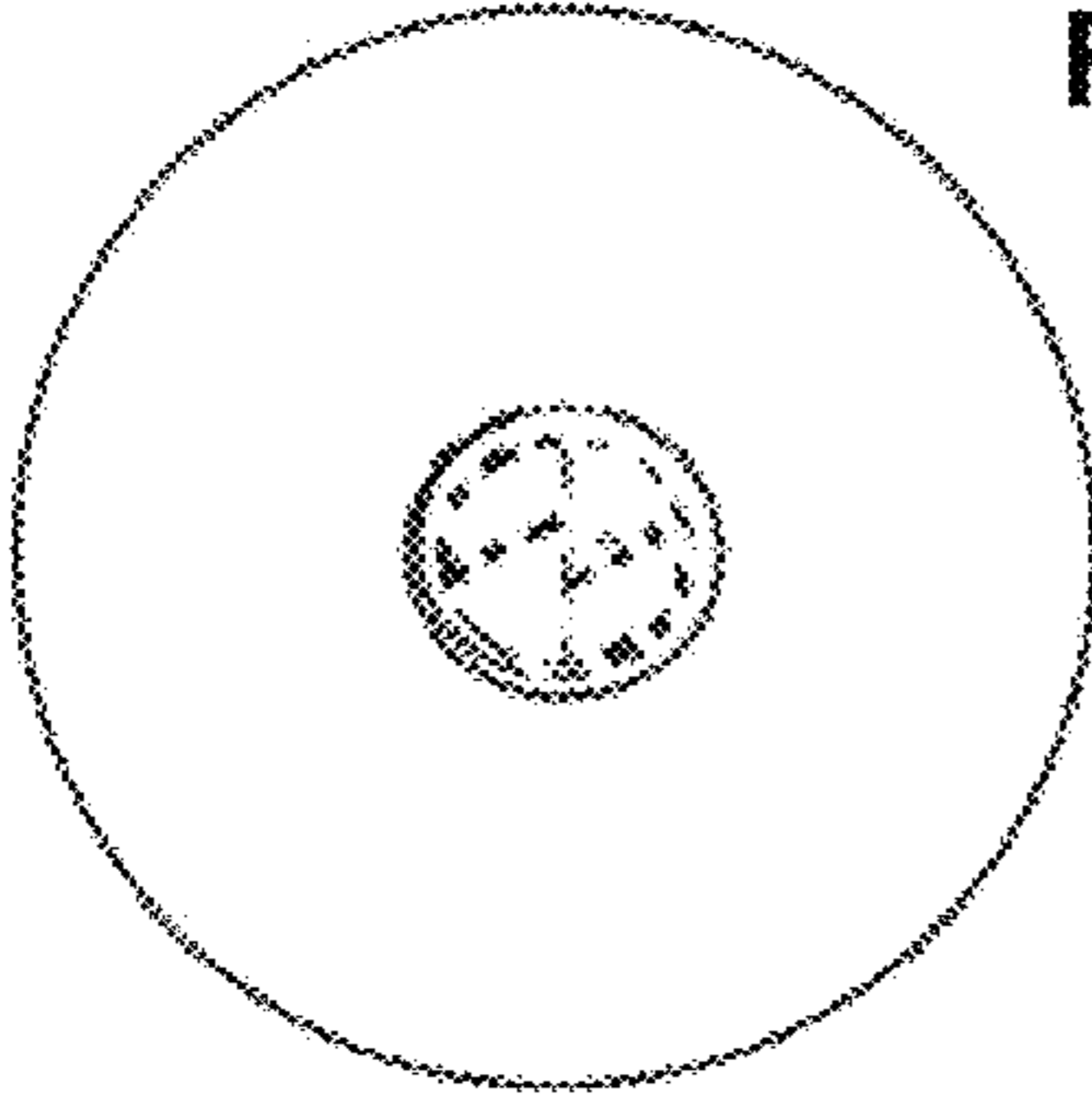


FIG. 3

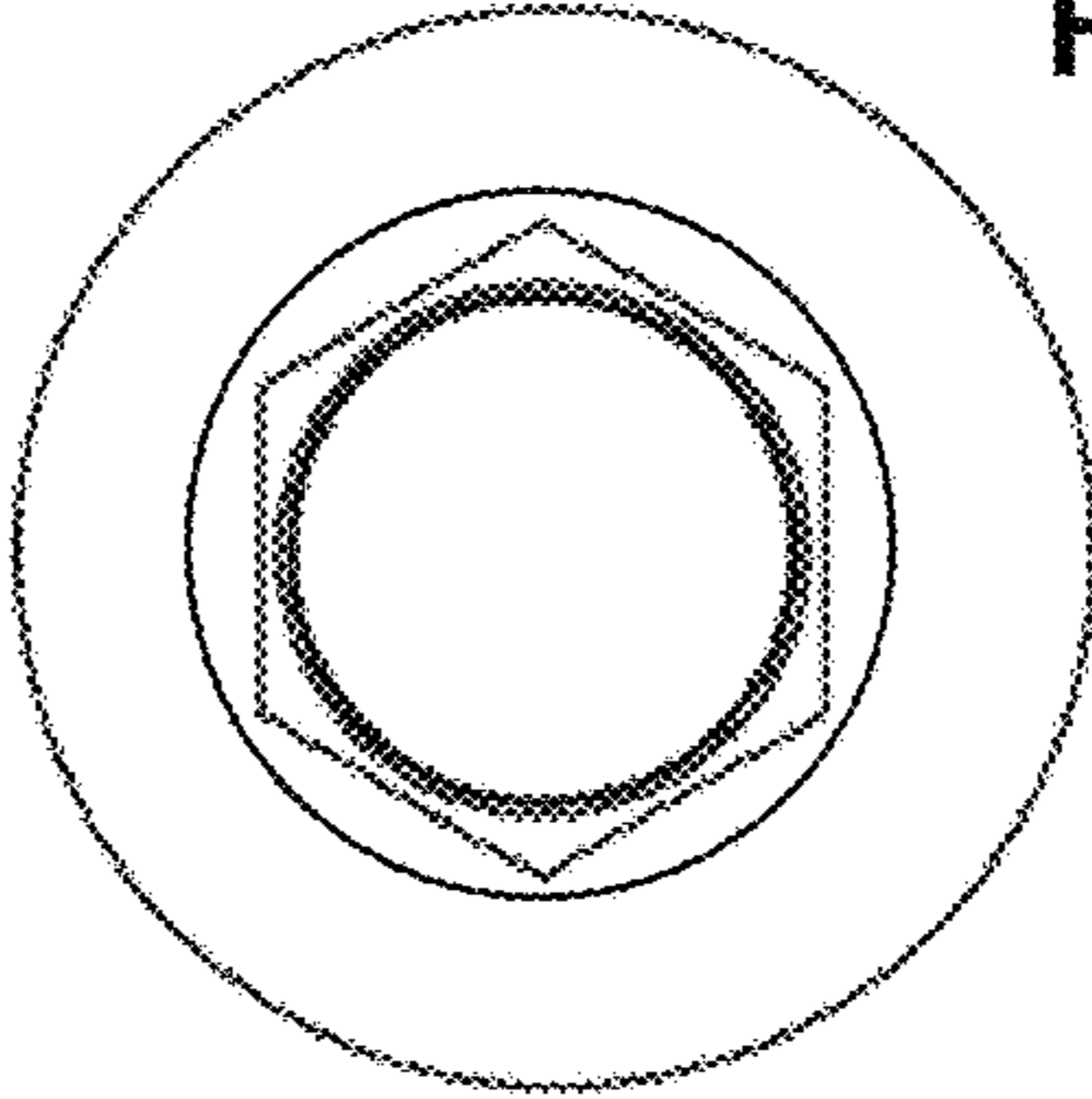


FIG. 4

FIG. 5

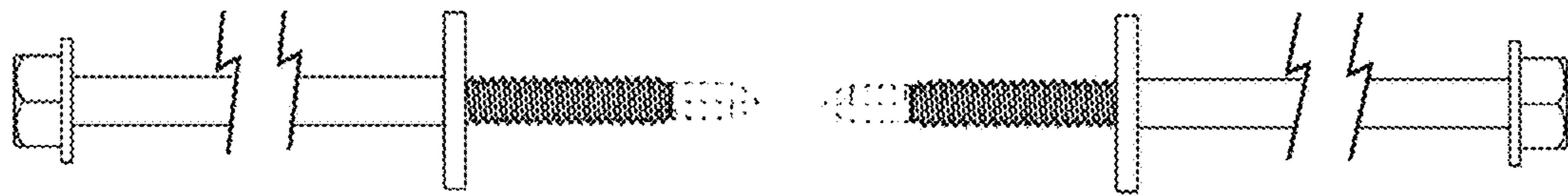
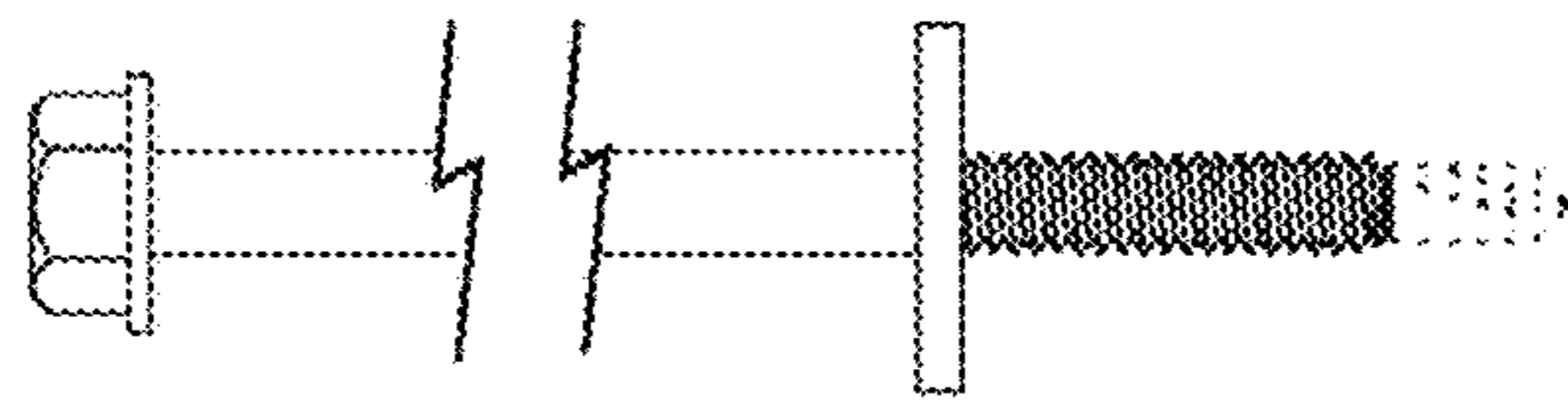


FIG. 6

FIG. 7

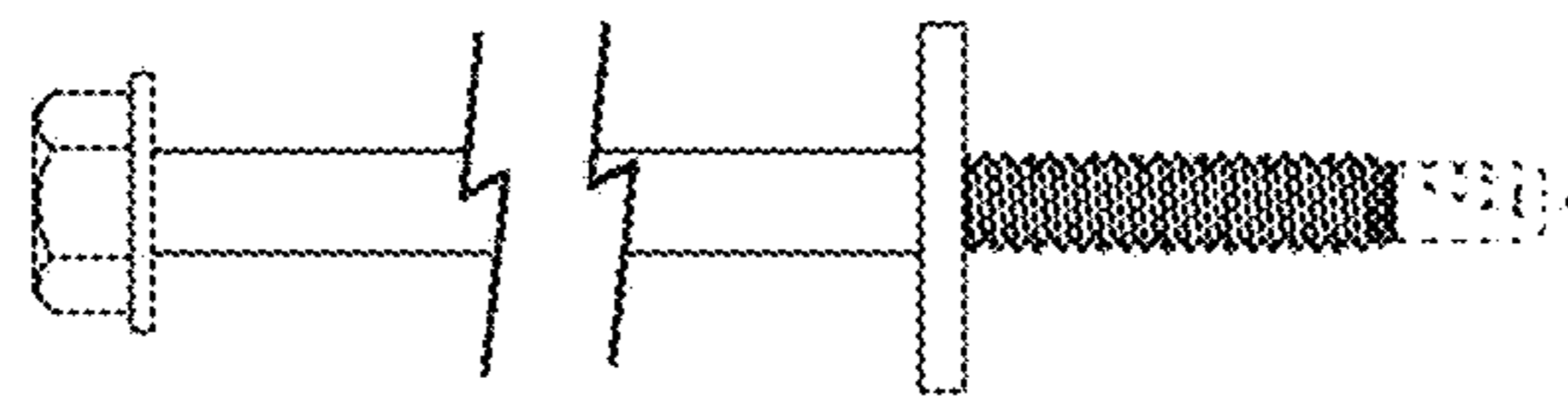


FIG. 8