



US00D829086S

(12) **United States Design Patent**
Hynek et al.

(10) **Patent No.: US D829,086 S**
(45) **Date of Patent: ** Sep. 25, 2018**

- (54) **CORNER BRACKET**
- (71) Applicants: **Martin Hynek**, Plzen (CZ); **Jakub Jirasko**, Plzen (CZ); **Petr Votapek**, Horepnik (CZ)
- (72) Inventors: **Martin Hynek**, Plzen (CZ); **Jakub Jirasko**, Plzen (CZ); **Petr Votapek**, Horepnik (CZ)
- (73) Assignee: **UNIVERSITY OF WEST BOHEMIA**, Pilsen (CZ)
- (**) Term: **15 Years**
- (21) Appl. No.: **29/618,048**
- (22) Filed: **Sep. 19, 2017**
- (51) **LOC (11) Cl.** **08-08**
- (52) **U.S. Cl.**
USPC **D8/382**
- (58) **Field of Classification Search**
USPC D8/349, 354, 373, 380, 382
CPC A47B 47/0033; A47B 47/0008; A47B 47/005; F16B 12/40; F16B 12/44; F16B 12/46; F16B 12/50; Y10T 403/4602; Y10S 403/13
See application file for complete search history.

3,877,138	A *	4/1975	Suchowski	A47B 47/0008	29/468
4,323,319	A *	4/1982	Adams	A47B 47/0008	403/171
4,473,315	A *	9/1984	Latchinian	A47B 47/0008	403/172
4,544,069	A *	10/1985	Cavallini	H02B 1/01	211/183
5,345,737	A *	9/1994	Latchinian	A47B 57/565	403/172
5,429,259	A *	7/1995	Robin	B65D 9/06	217/65
D414,398	S *	9/1999	Benz	D8/354	
D646,962	S *	10/2011	Knorr	D8/349	
D647,385	S *	10/2011	Watts	D8/349	
D799,311	S *	10/2017	Mamie	D8/382	
2007/0052333	A1 *	3/2007	Freire	A47B 47/005	312/265.4
2013/0068762	A1 *	3/2013	Ma	A47B 47/0033	220/4.27

* cited by examiner

Primary Examiner — Sandra S Snapp
Assistant Examiner — Ieisha N Price

(57) **CLAIM**

The ornamental design for a corner bracket, as shown and described.

DESCRIPTION

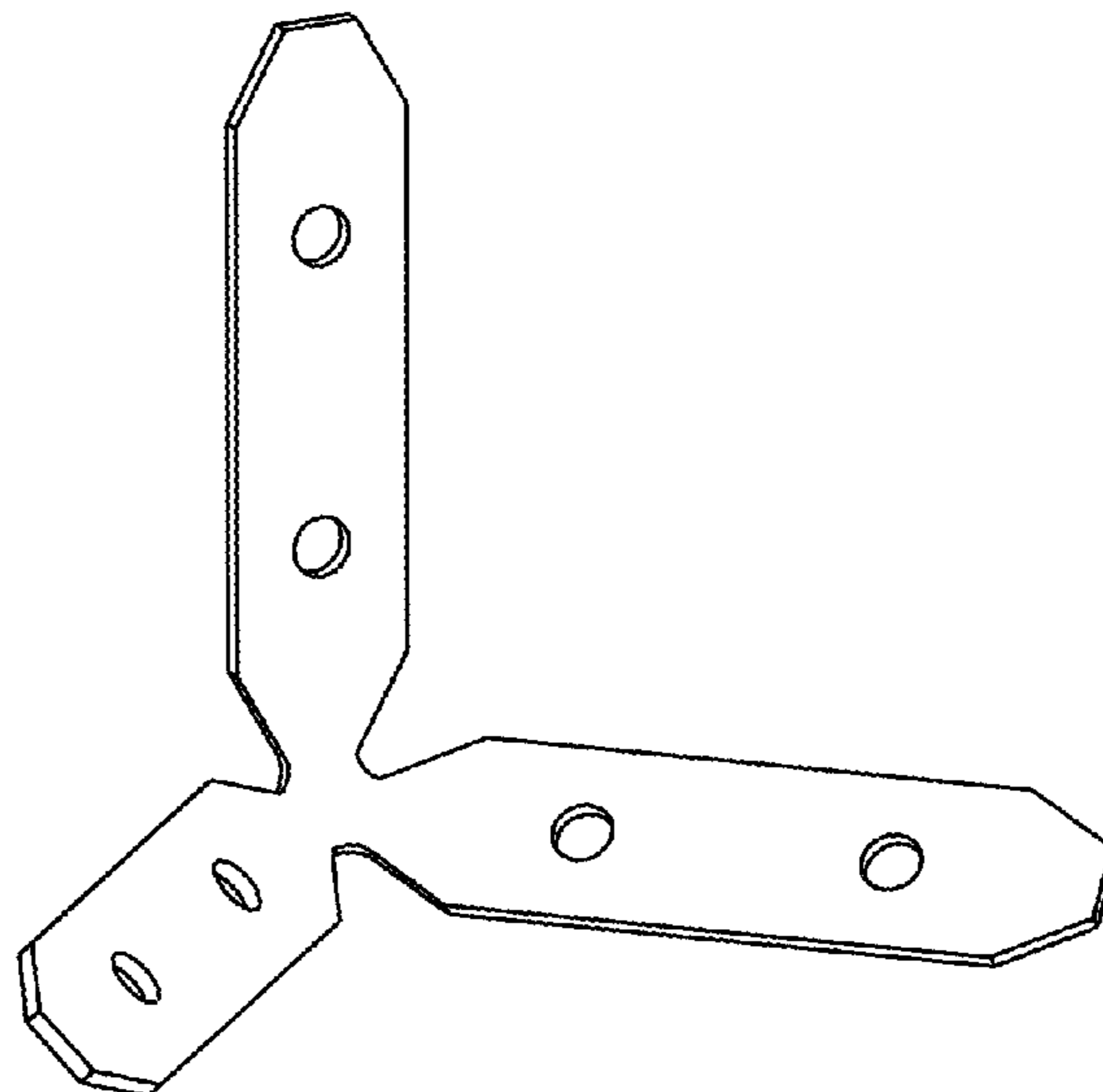
FIG. 1 is a top, front, right perspective view of a corner bracket showing my new design;
FIG. 2 is a bottom, rear, left perspective view thereof;
FIG. 3 is a right elevational view thereof; a front elevational view is a mirror image of the right elevational view; and,
FIG. 4 is a left elevational view thereof; a rear elevational view is a mirror image of the left elevational view.

1 Claim, 1 Drawing Sheet

(56) **References Cited**

U.S. PATENT DOCUMENTS

1,359,643	A *	11/1920	Wiselogel	F16B 12/30	182/117
1,607,711	A *	11/1926	Walker	B65D 61/00	190/26
2,904,360	A *	9/1959	Gamlen	A47B 47/0008	312/140
3,601,430	A *	8/1971	Zwennis	B62D 33/044	403/205



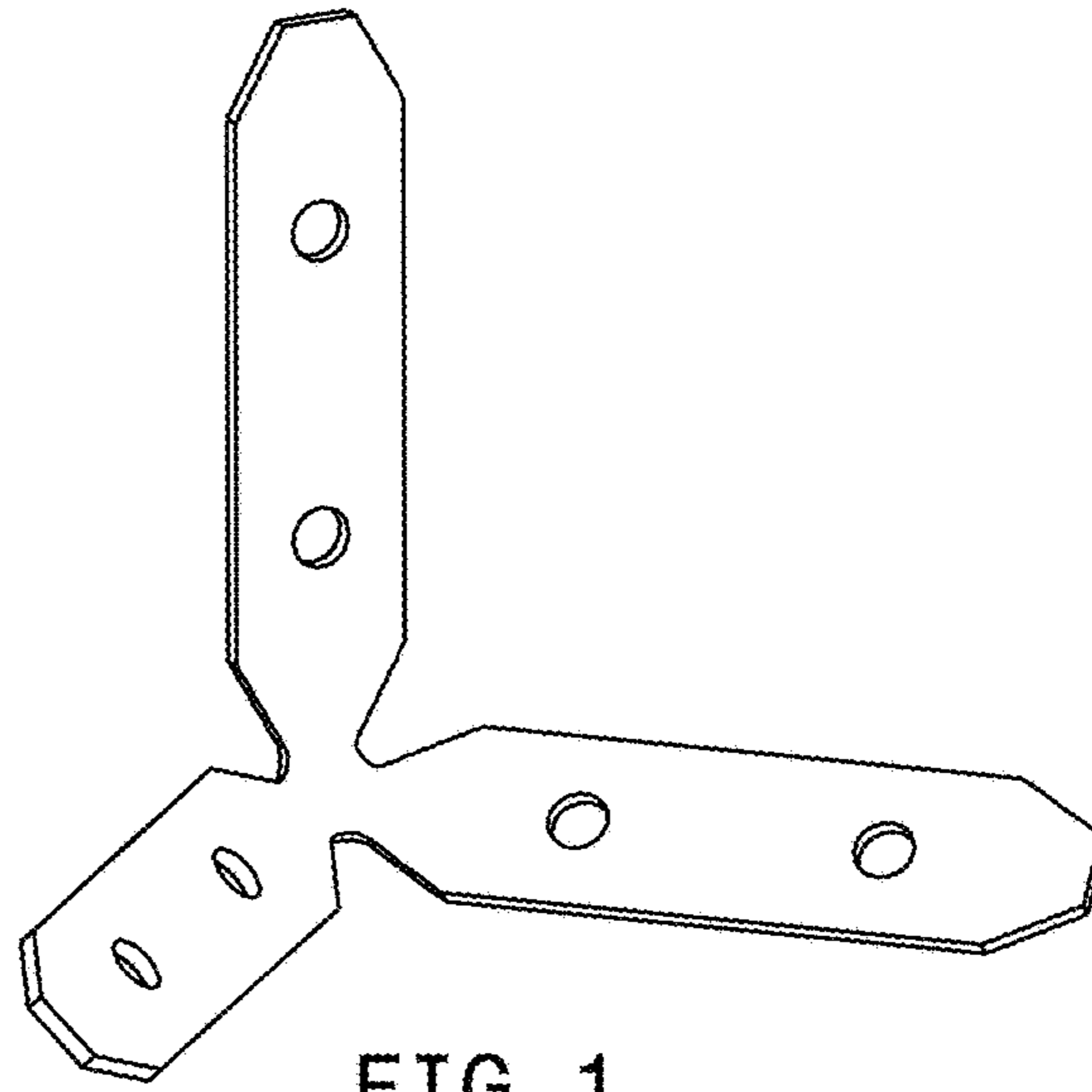


FIG. 1

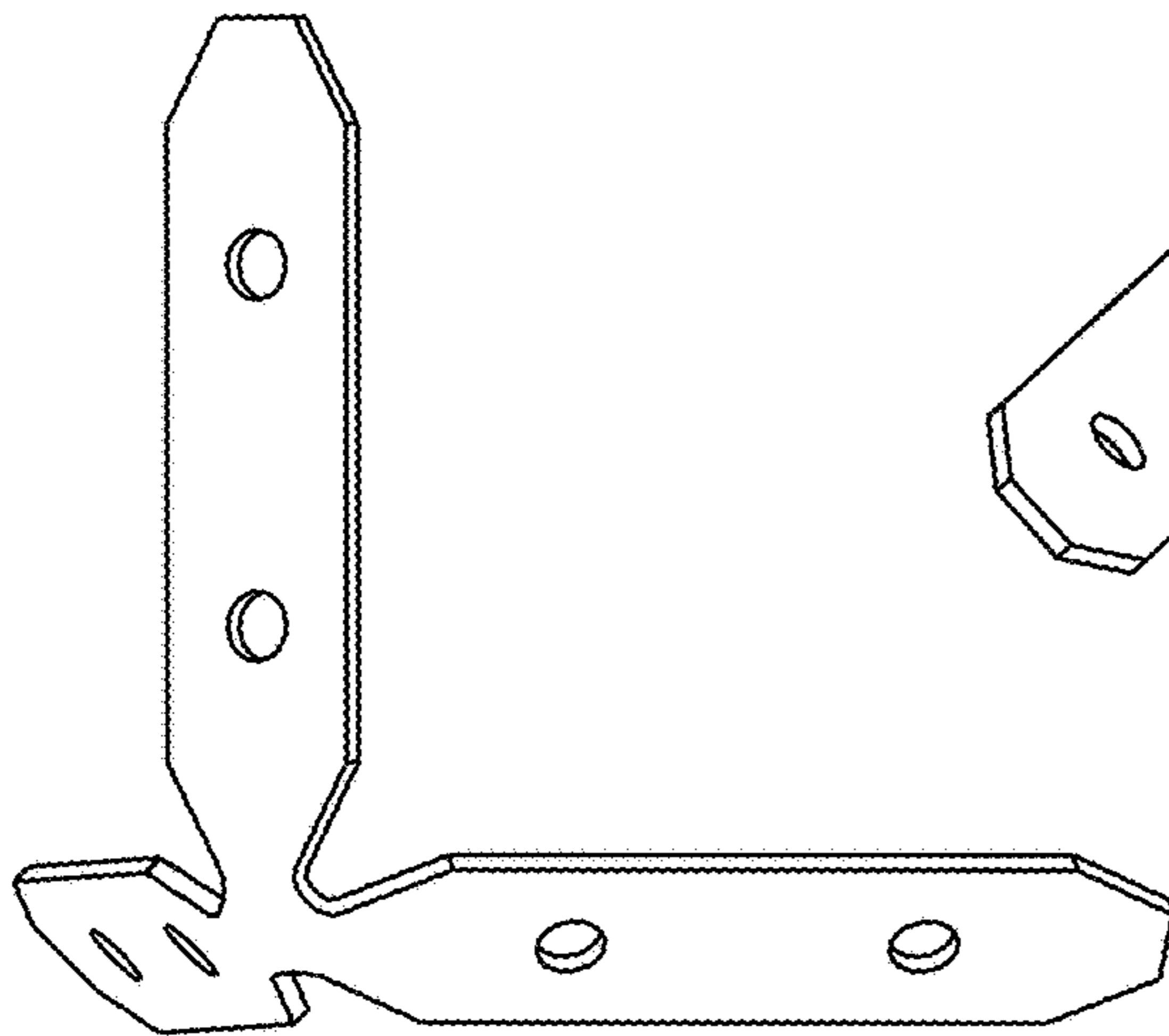


FIG. 2

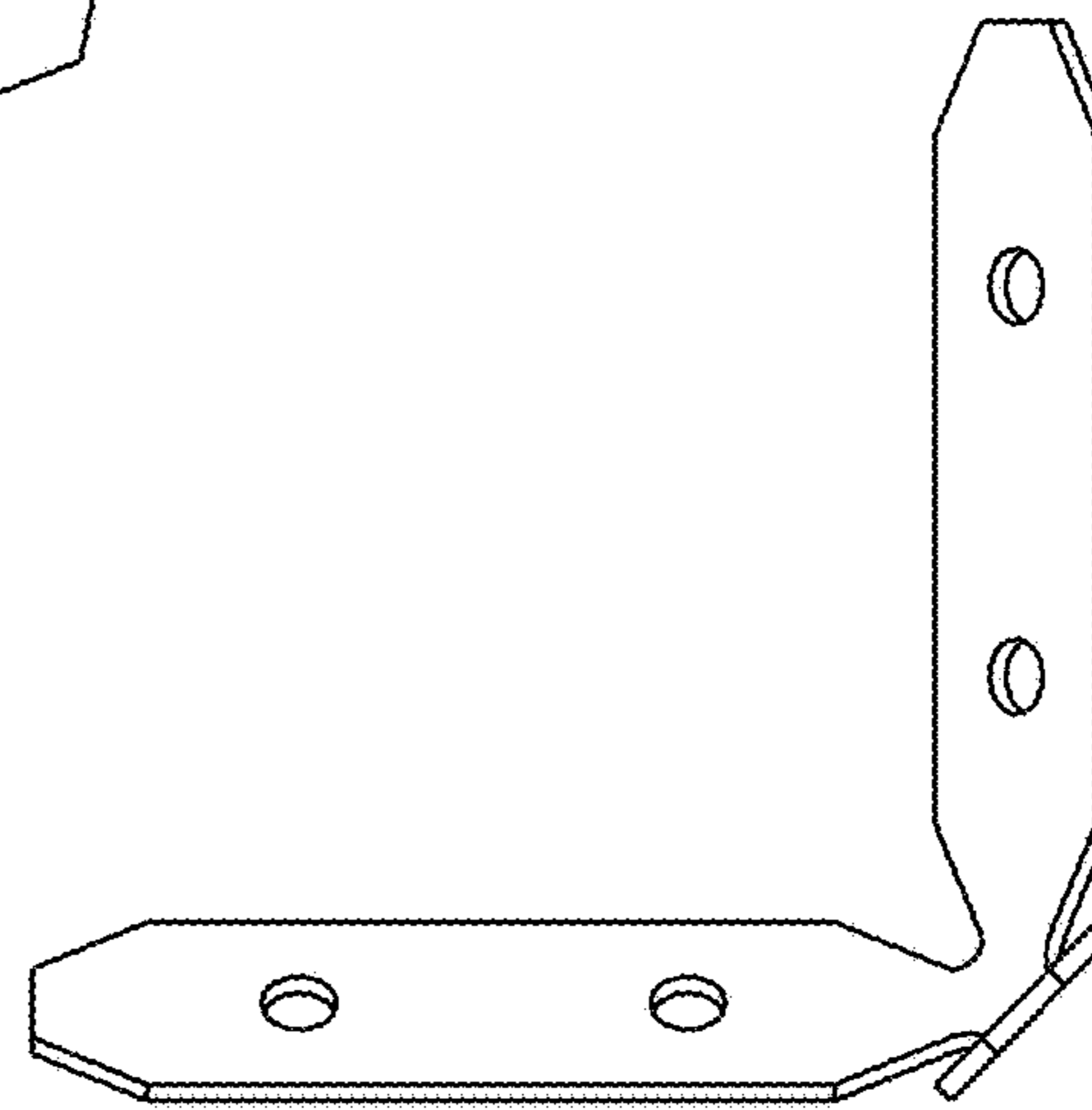


FIG. 3

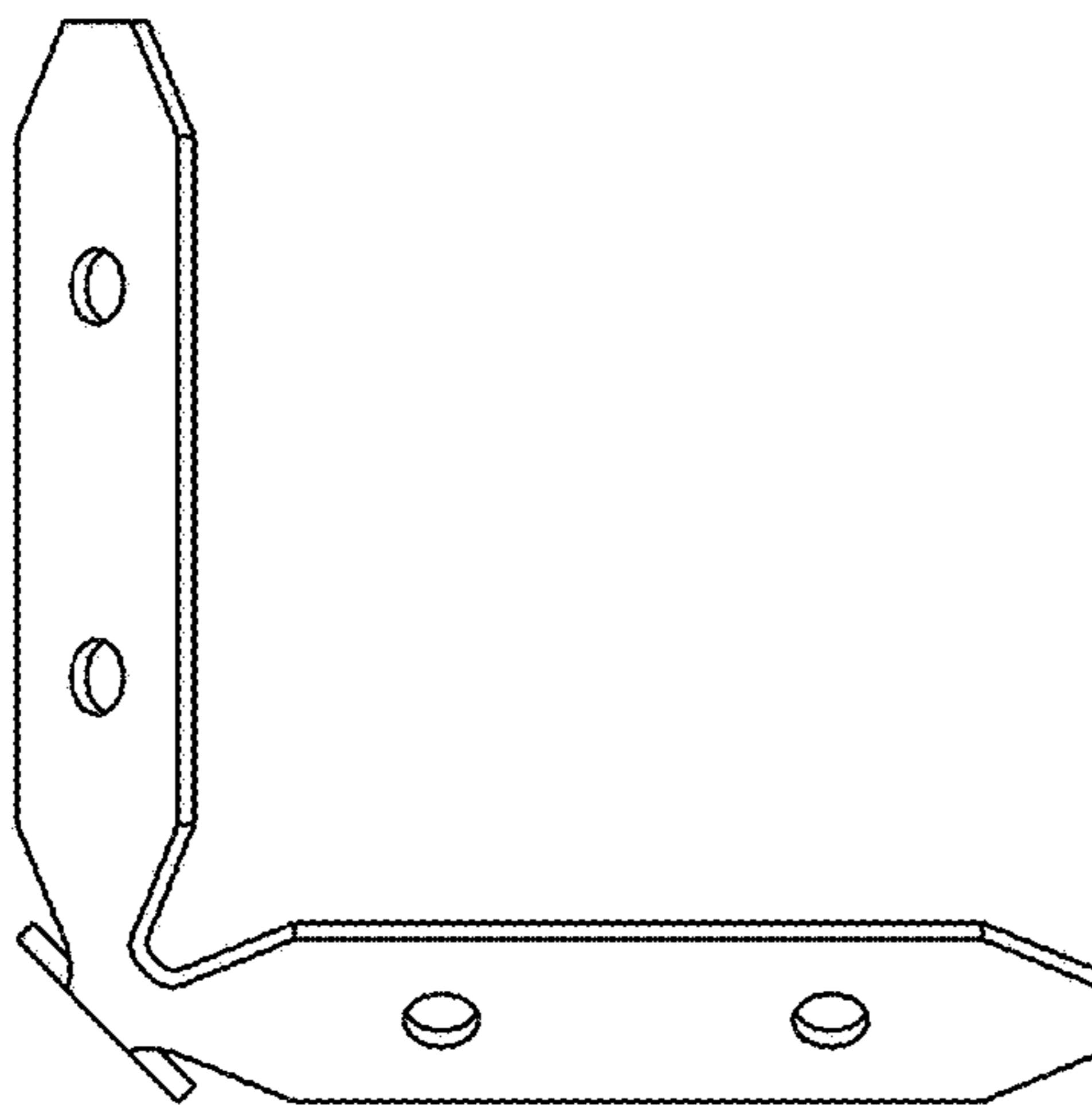


FIG. 4