



US00D829084S

(12) **United States Design Patent**
Velardi

(10) **Patent No.:** **US D829,084 S**

(45) **Date of Patent:** **** Sep. 25, 2018**

(54) **WALL MOUNT BRACKET FOR ELECTRONIC DEVICES**

(71) Applicant: **Andrew Velardi**, Deerfield Beach, FL (US)

(72) Inventor: **Andrew Velardi**, Deerfield Beach, FL (US)

(**) Term: **15 Years**

(21) Appl. No.: **29/608,841**

(22) Filed: **Jun. 26, 2017**

(51) **LOC (11) Cl.** **08-05**

(52) **U.S. Cl.**
USPC **D8/380**

(58) **Field of Classification Search**

USPC D08/353, 356, 363, 366, 371, 373, 380, D08/381; D13/154; D14/140.6, 452; D24/127, 128, 234; D25/119, 120, 121
CPC A47B 87/00; A47B 96/02; A47B 96/06; A47B 57/06; A47B 87/005; A47B 57/34; A47B 96/021; A47B 96/061; B63B 22/00; F16B 37/02; F21V 21/02; F21S 8/00; G10K 1/26; G10K 1/28; G10K 9/22; H02G 1/00

See application file for complete search history.

(56) **References Cited**

U.S. PATENT DOCUMENTS

D34,788 S *	7/1901	Martin	D8/373
D160,296 S *	10/1950	Bennett	D8/356
D281,344 S *	11/1985	Duke	124/23.1
D347,576 S *	6/1994	Boger	D9/420
5,632,231 A *	5/1997	Moore	A01K 13/001
				119/671
D423,917 S *	5/2000	Remmers	D8/380
D478,801 S *	8/2003	Spruill	D8/354
D606,386 S *	12/2009	Fernandez	D8/381
D667,351 S *	9/2012	Townsend	D12/162
D710,363 S *	8/2014	Wengreen	D14/432
D713,947 S *	9/2014	Jensen	D23/322

(Continued)

OTHER PUBLICATIONS

Fstop Labs Home Outlet Wall Mount Holder for Alexa Echo Dot, Bose, Anker, Home Mini round speakers Accessories, posted 09/16/2017, [retrieved May 16, 2018]. Retrieved from Internet, <URL: https://www.amazon.com/dp/B0769D6W3S/ref=sspa_dk_detail_0?psc=1&pd_rd_i=B0769D6W3S&pd_rd_wg=0S4nl&pd_rd_r=8PPAY3FA2XHSWB1A65W9&pd_*>

(Continued)

Primary Examiner — Barbara Fox

Assistant Examiner — Kristin E Reed

(74) *Attorney, Agent, or Firm* — Mark D. Bowen; Malin Haley DiMaggio & Bowen, P.A.

(57) **CLAIM**

The ornamental design for a wall mount bracket for electronic devices, as shown and described.

DESCRIPTION

FIG. 1 is a top left front perspective view of a wall mount bracket for electronic devices in accordance with the present invention;

FIG. 2 is a top right front perspective view thereof, shown separately to show aspects of the design that are not visible when combined;

FIG. 3 is a bottom left rear perspective view thereof;

FIG. 4 is a left side view of the wall mount bracket for electronic devices shown in FIG. 1;

FIG. 5 is a right side view of the wall mount bracket for electronic devices shown in FIG. 2;

FIG. 6 is a front view thereof;

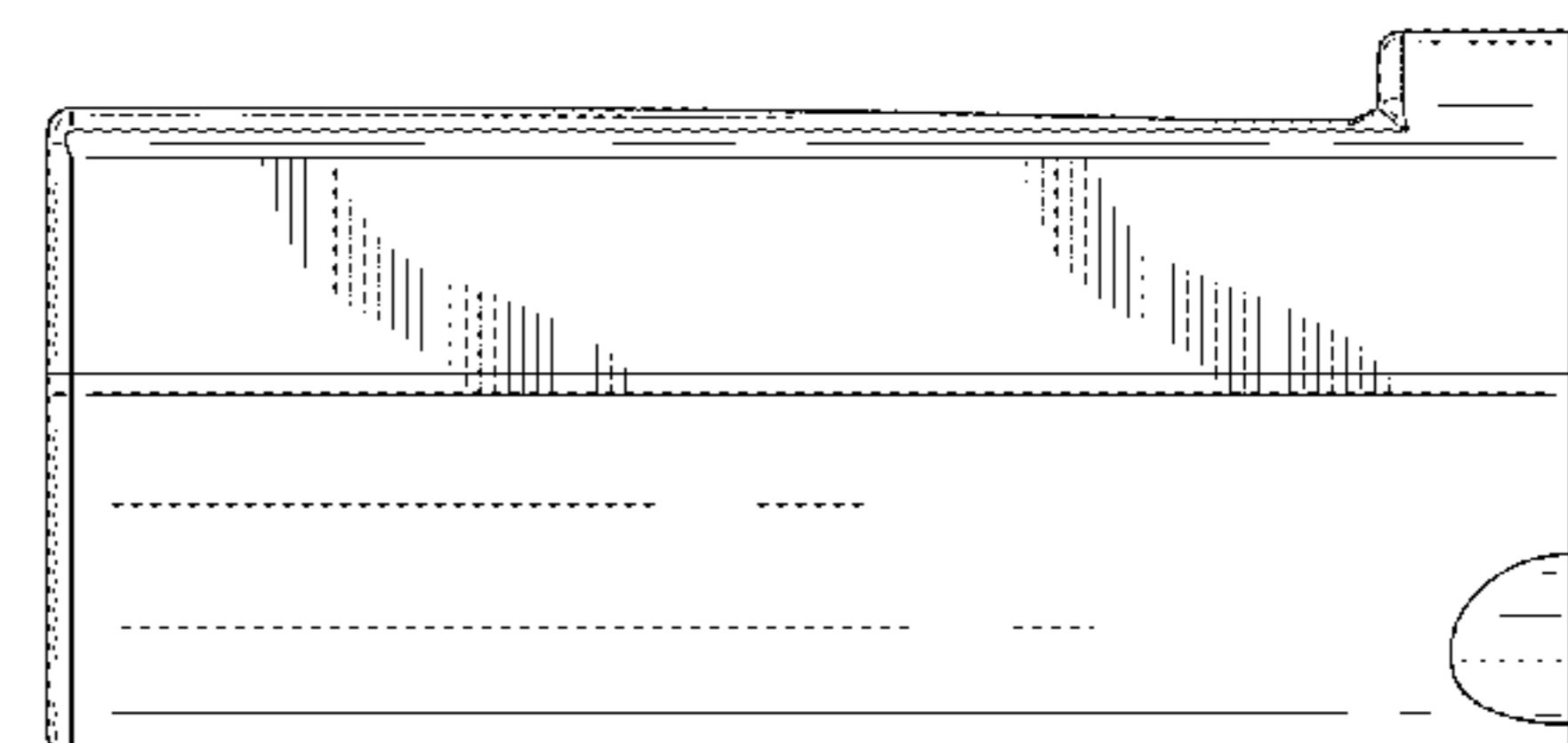
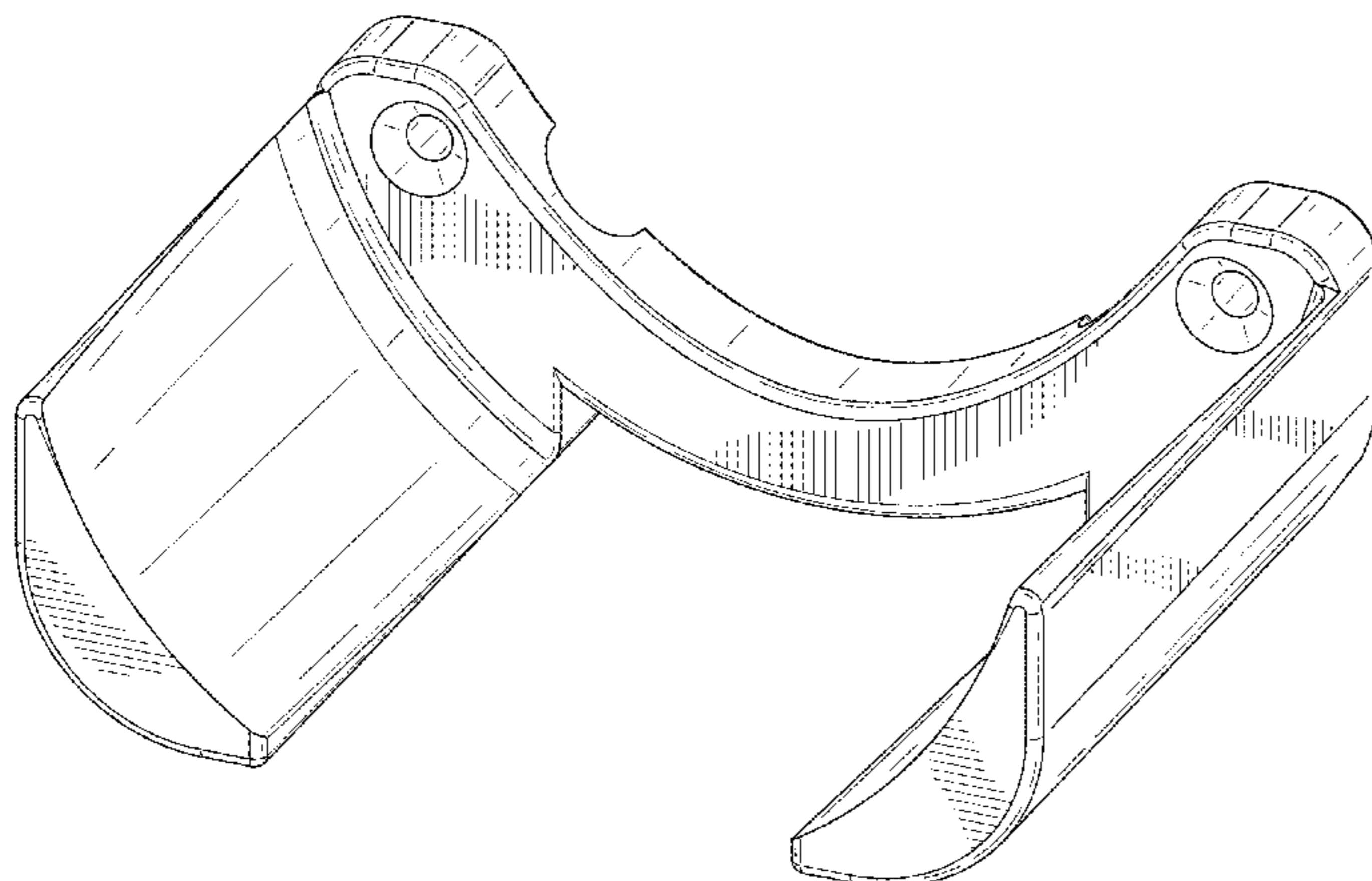
FIG. 7 is rear view thereof;

FIG. 8 is a top view thereof; and,

FIG. 9 is a bottom view thereof.

The broken lines illustrating an electronic device in FIGS. 1 and 4 are for environmental purposes only and form no part of the claimed design.

1 Claim, 8 Drawing Sheets



(56)

References Cited

U.S. PATENT DOCUMENTS

D804,739 S * 12/2017 Ksiazek D30/119

OTHER PUBLICATIONS

Amazon Echo Dot V2 Wall Mount Bracket, posted Jan. 29, 2017, [retrieved May 16, 2018]. Retrieved from Internet, <URL: <https://www.thingiverse.com/thing:2070799> >.*

Yet Another Amazon Echo Dot Wall and Ceiling Mount, posted Feb. 7, 2017, [retrieved May 16, 2018]. Retrieved from Internet, <URL: <https://www.thingiverse.com/thing:2092284> >.*

* cited by examiner

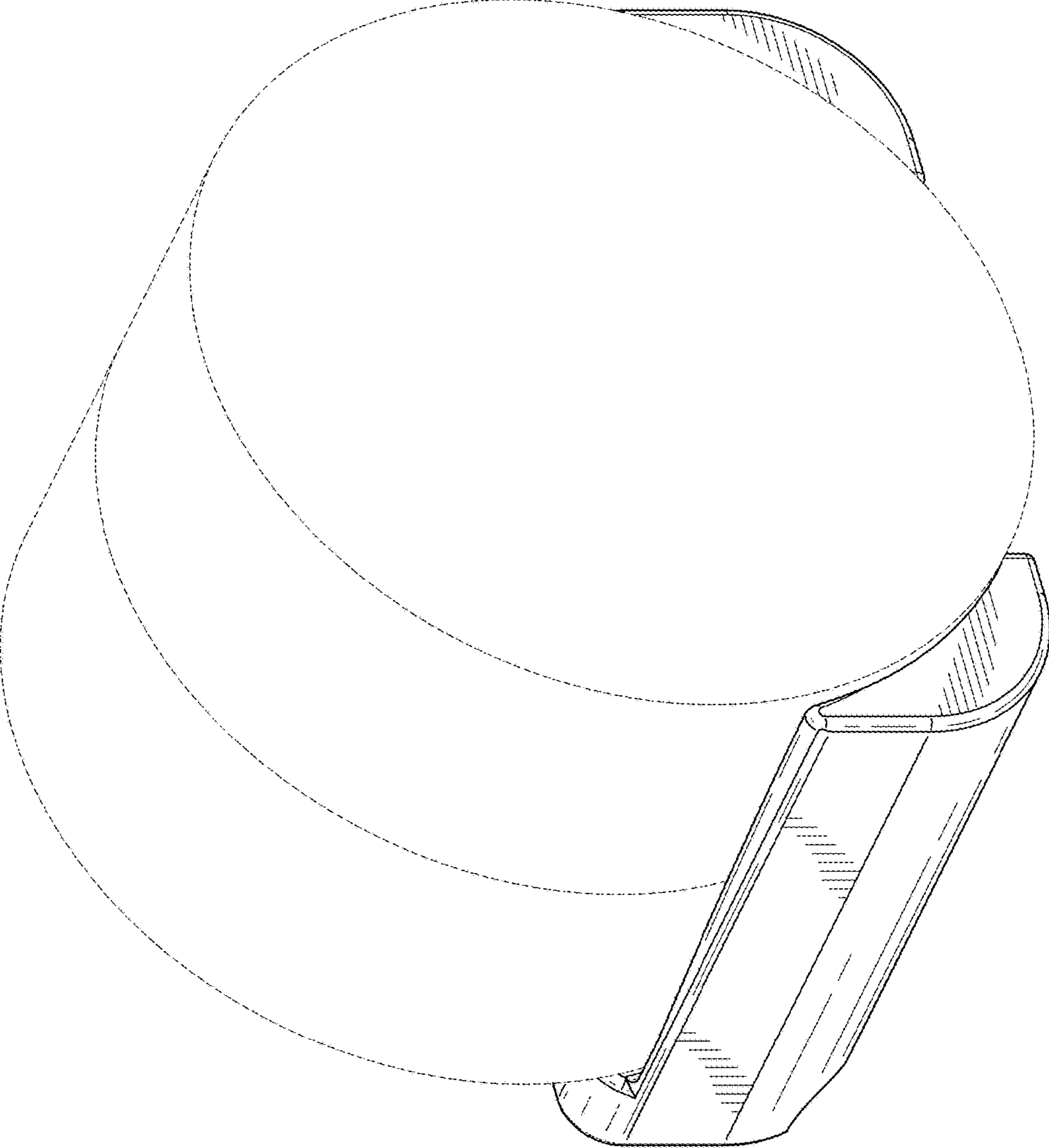


FIG. 1

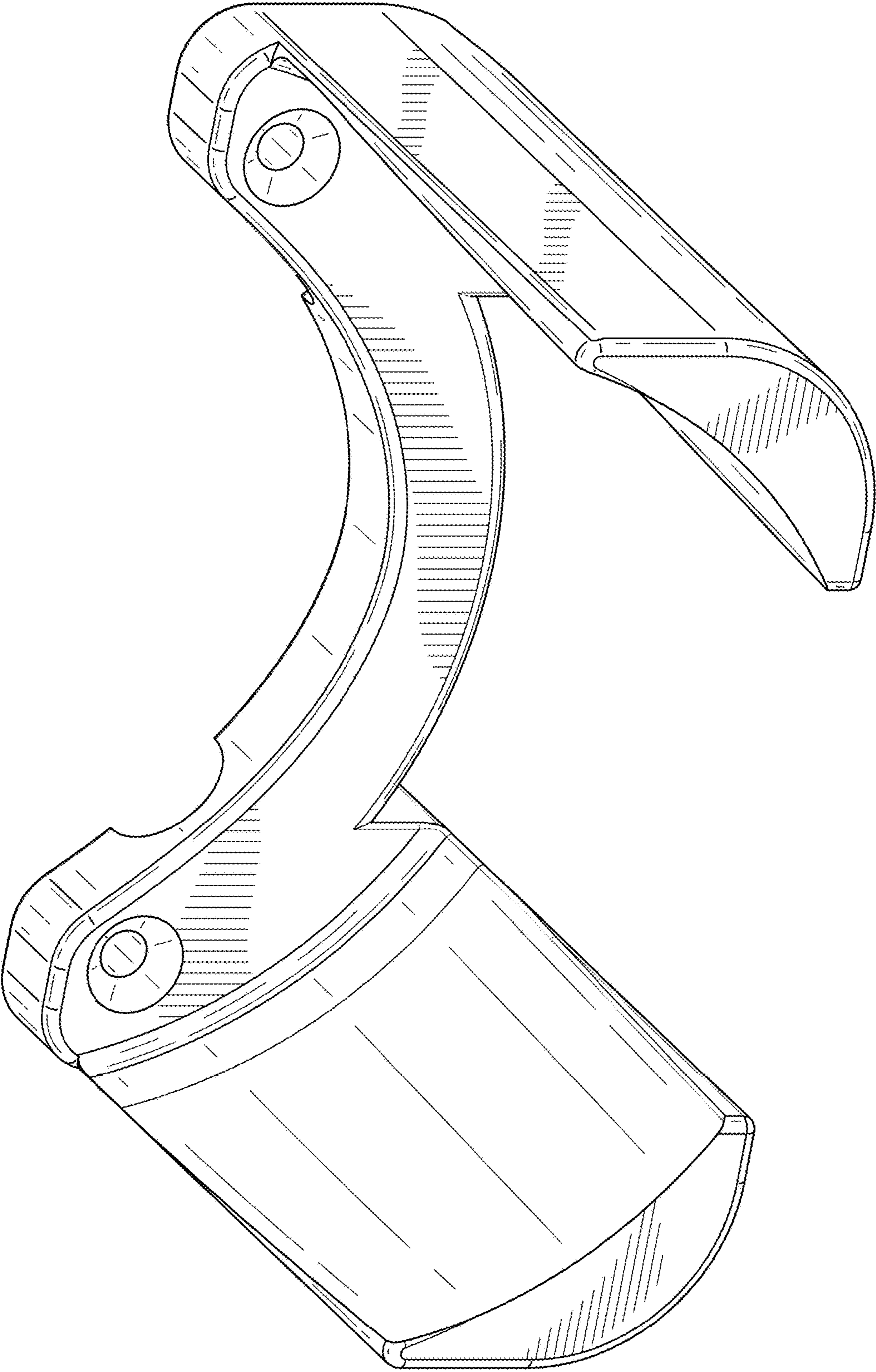


FIG. 2

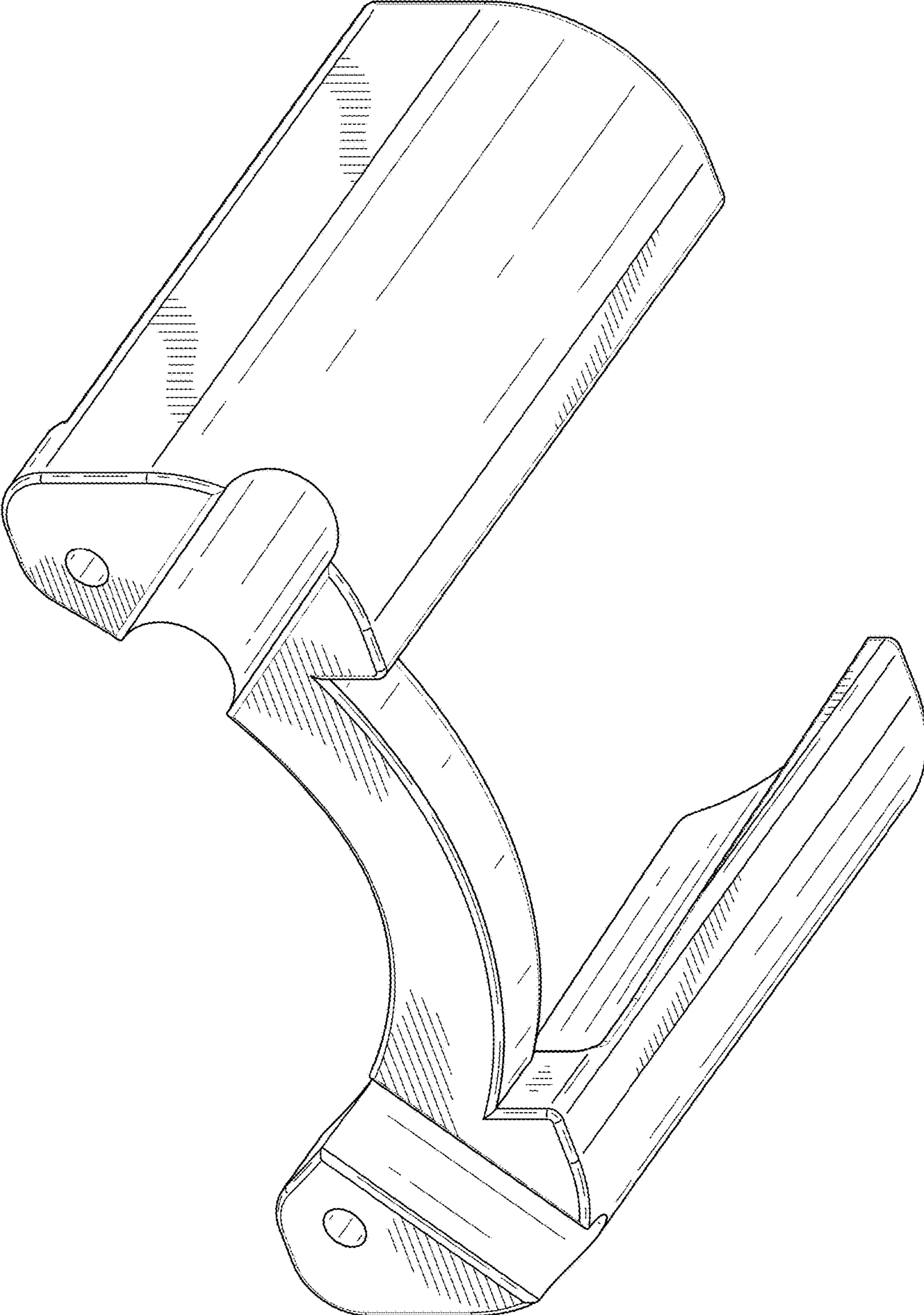


FIG. 3

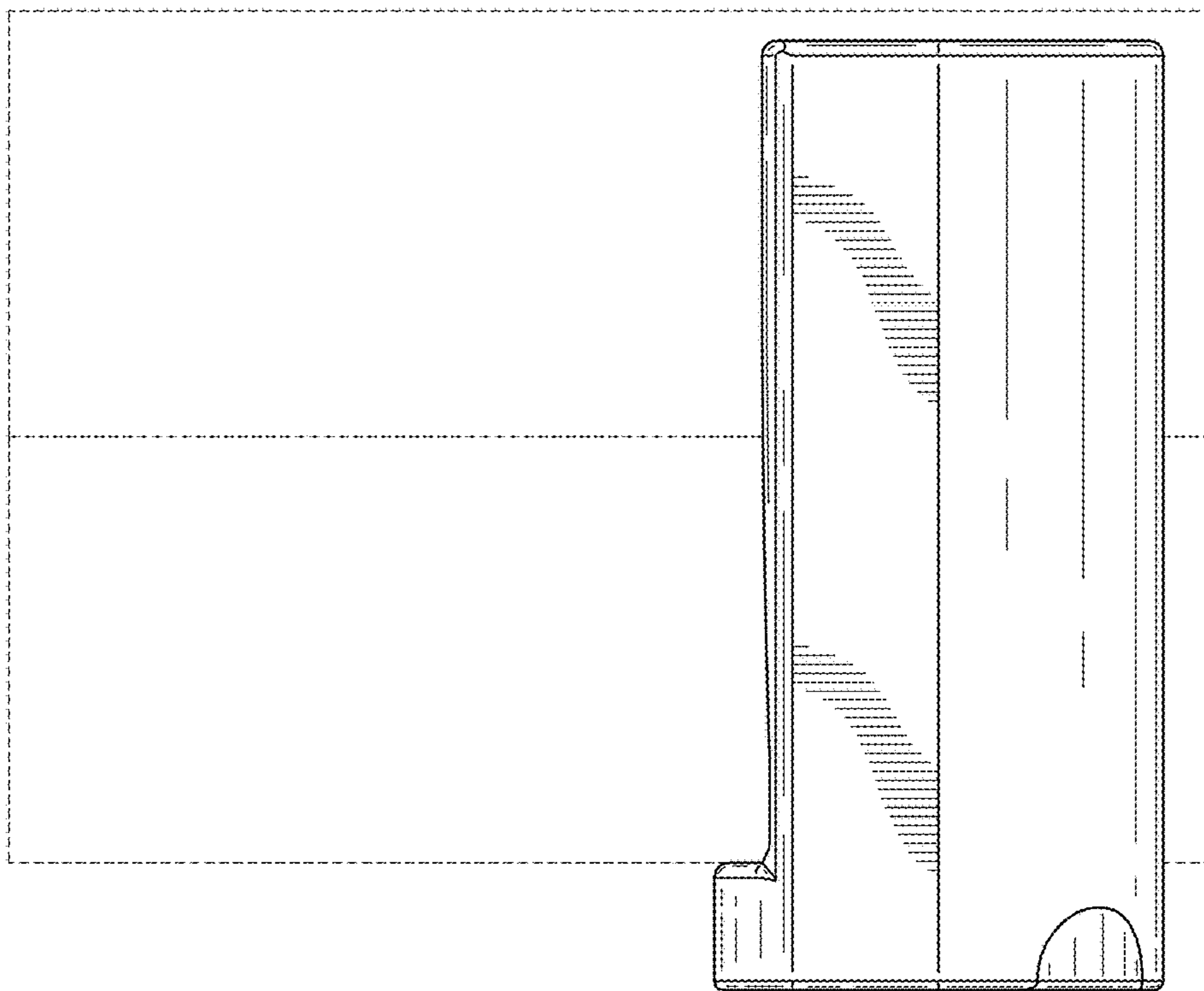


FIG. 4

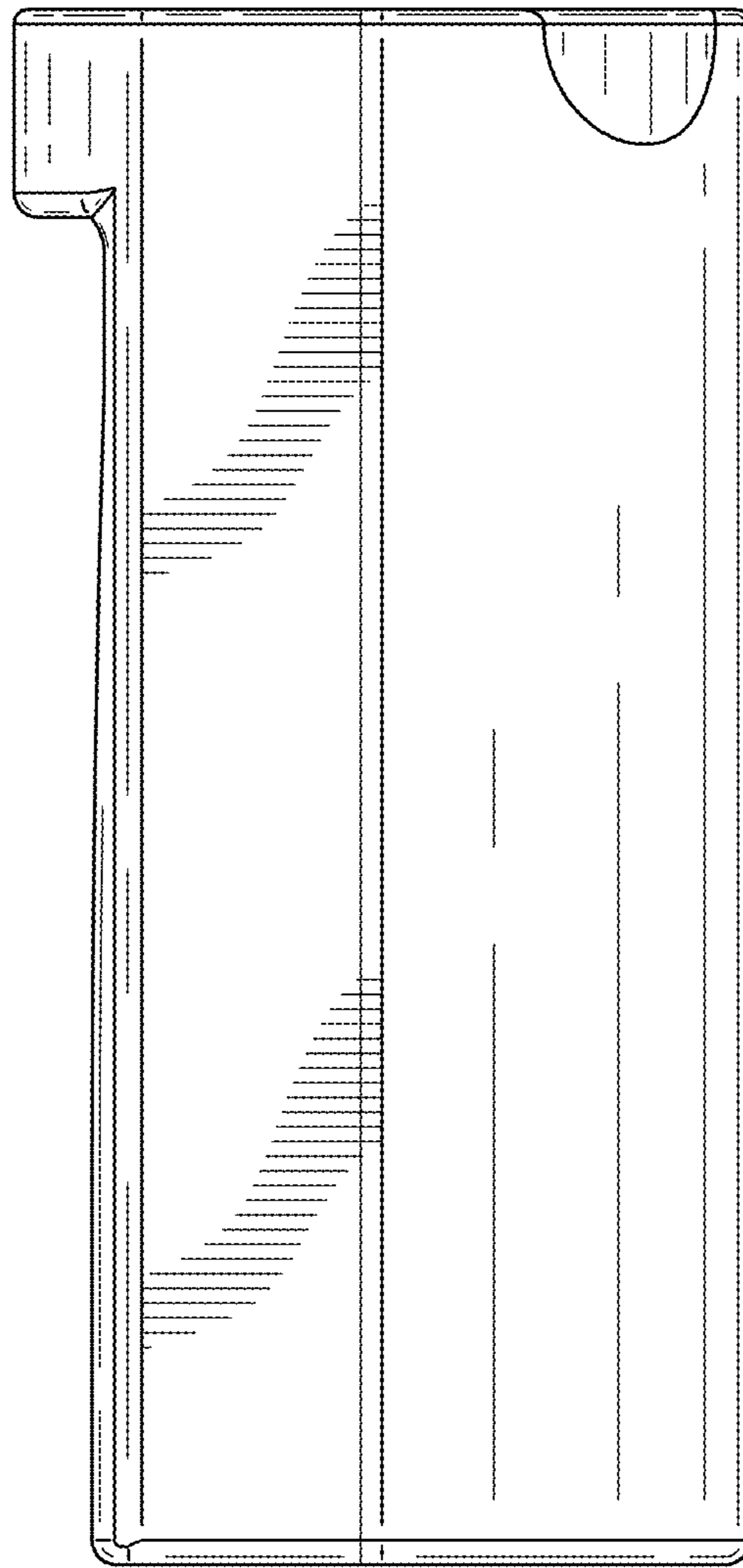


FIG. 5

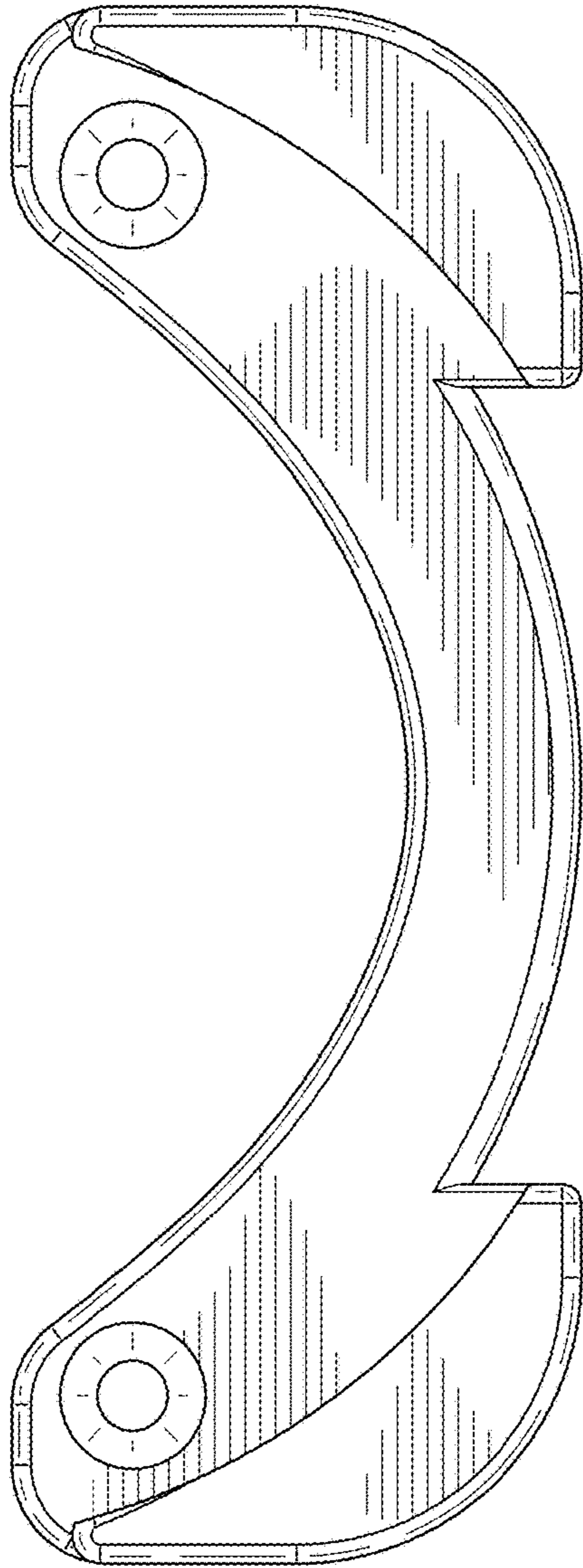


FIG. 6

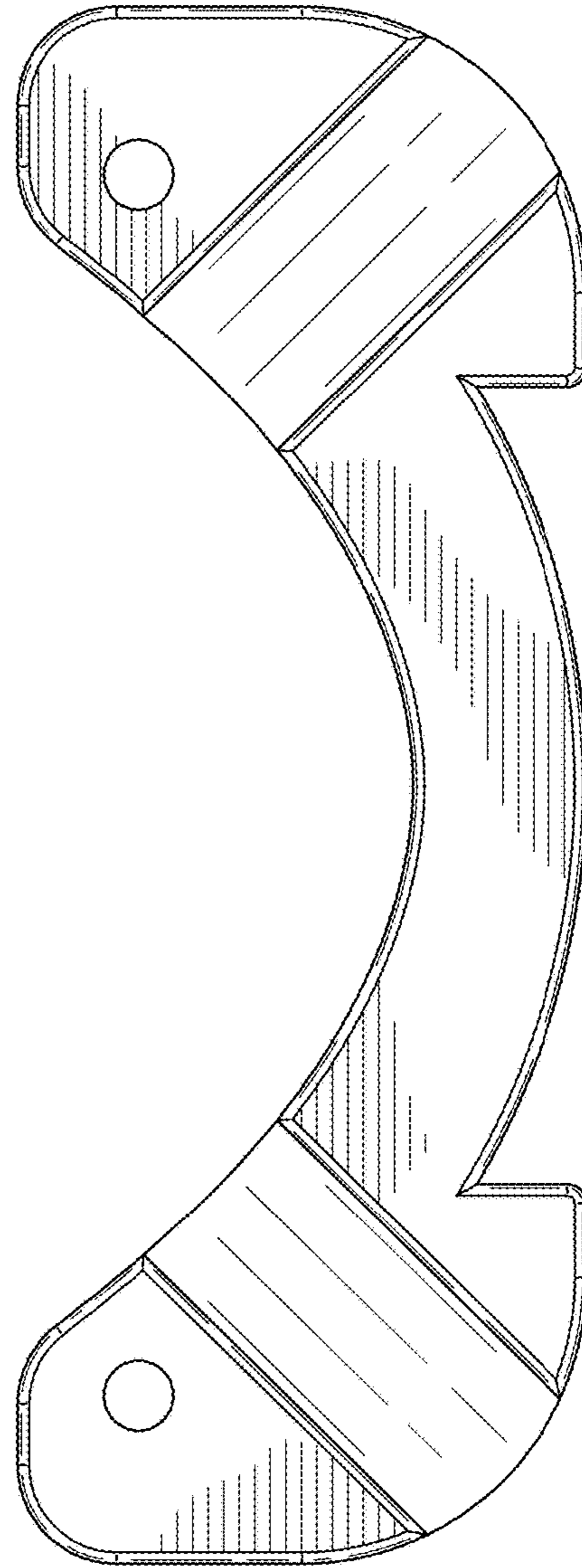


FIG. 7

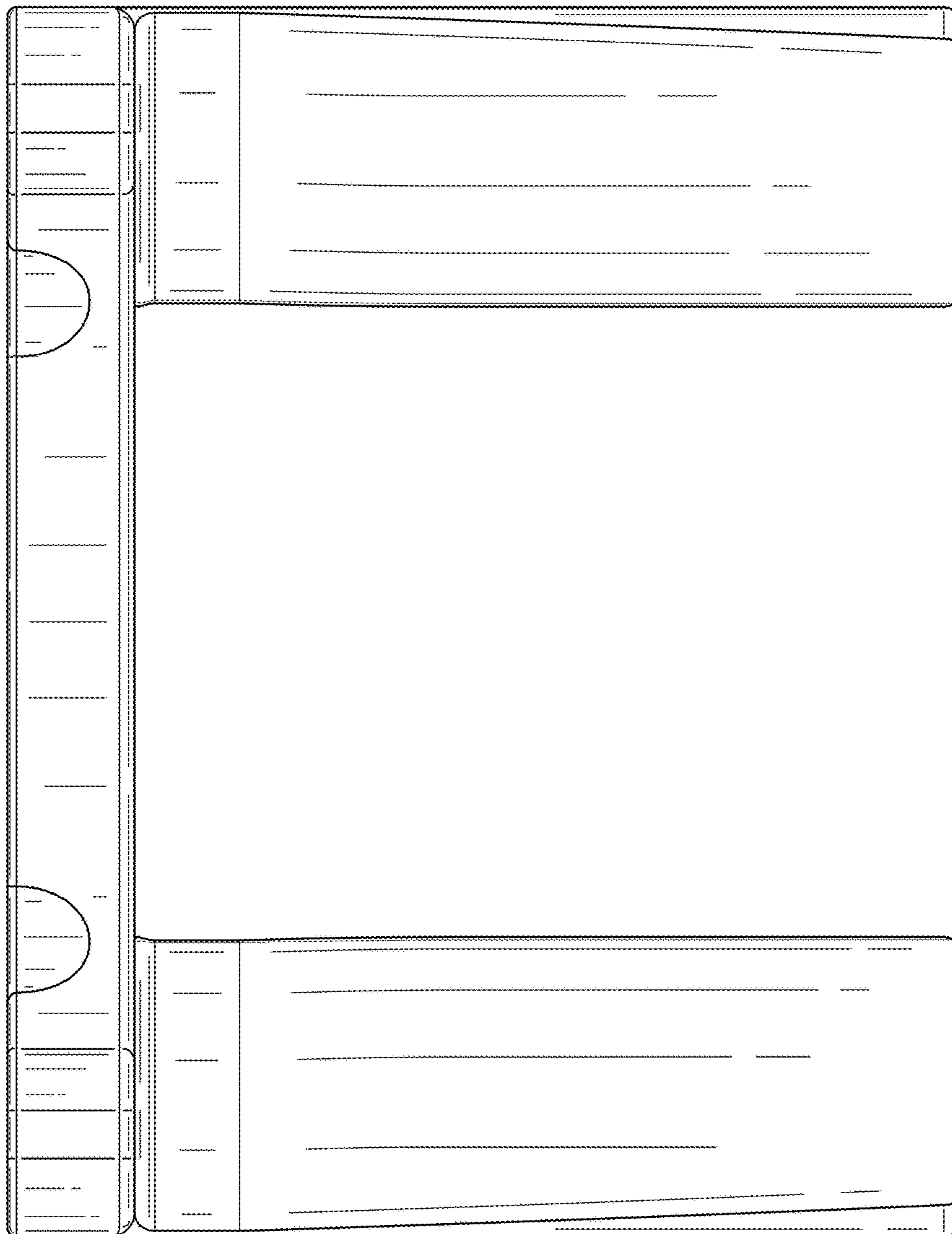


FIG. 8

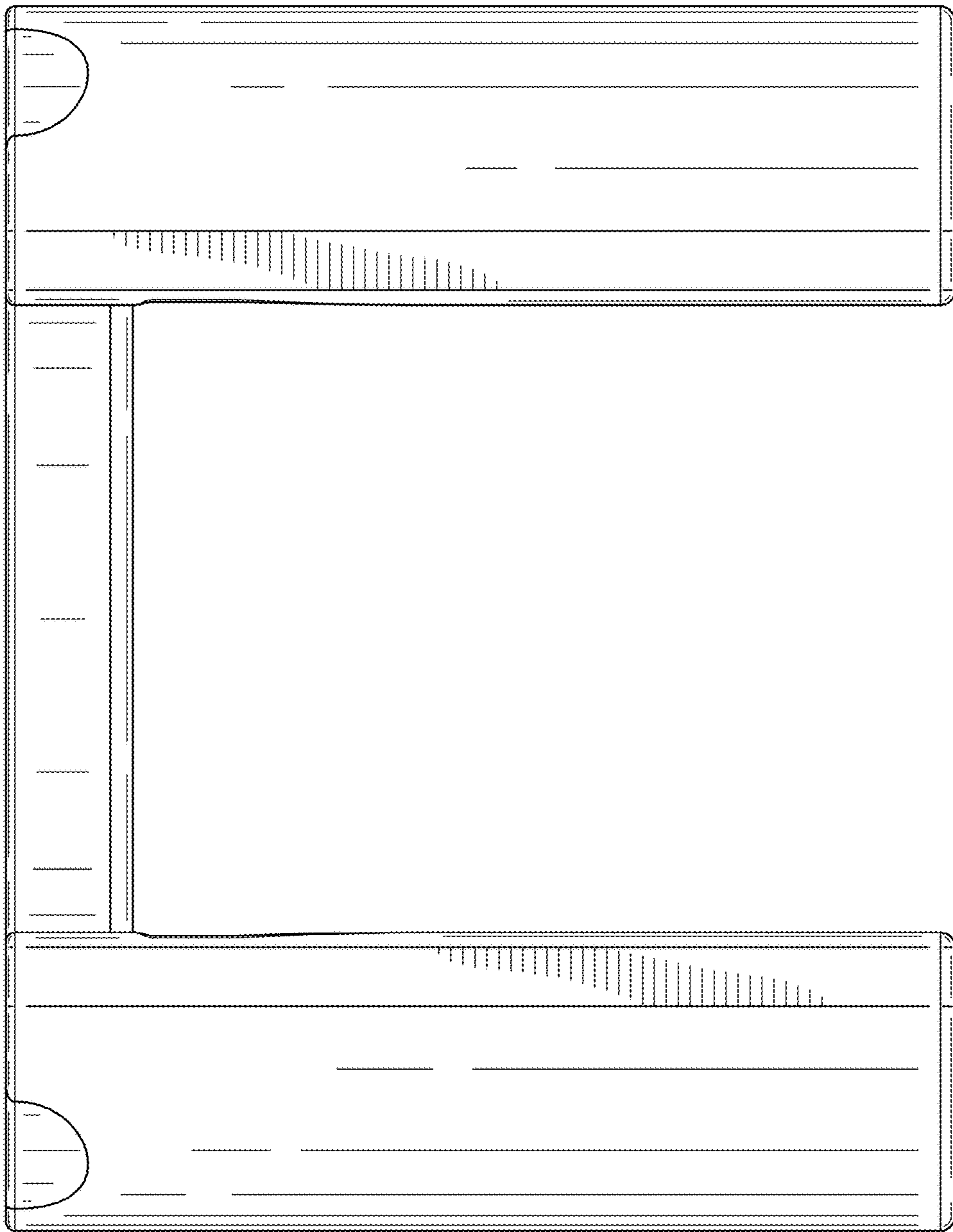


FIG. 9