



US00D829082S

(12) **United States Design Patent**
O'Brien

(10) **Patent No.:** **US D829,082 S**

(45) **Date of Patent:** **** Sep. 25, 2018**

(54) **WING BRACKET**

(71) Applicant: **TSI Products, Inc.**, Arlington, TX (US)

(72) Inventor: **Stephen William O'Brien**, Fort Worth, TX (US)

(73) Assignee: **TSI Products, Inc.**, Arlington, TX (US)

(**) Term: **15 Years**

(21) Appl. No.: **29/558,598**

(22) Filed: **Mar. 18, 2016**

(51) **LOC (11) Cl.** **08-05**

(52) **U.S. Cl.**
USPC **D8/366**

(58) **Field of Classification Search**
USPC D8/370, 44, 24, 25, 33, 383, 19, 330,
D8/355, 356, 349, 382, 371, 366, 363
CPC F16M 13/02
See application file for complete search history.

(56) **References Cited**

U.S. PATENT DOCUMENTS

1,120,935	A *	12/1914	Hammers	A47H 1/13
					248/253
D168,074	S *	10/1952	Symington	D8/354
3,144,235	A *	8/1964	Reilly	B65G 39/145
					193/37
D201,638	S *	7/1965	Baler et al.	D8/371

D406,208	S *	3/1999	Law	D6/523
D487,693	S *	3/2004	Moen	D8/363
D617,592	S *	6/2010	Urquiola	D6/518
D663,611	S *	7/2012	Nunez Farfan	D8/380
D697,333	S *	1/2014	Ogle	D6/521
D753,472	S *	4/2016	Pan	D8/371
D792,197	S *	7/2017	Kundig	D8/371
2002/0100786	A1 *	8/2002	Orihara	A47K 10/38
					225/46

* cited by examiner

Primary Examiner — Eliza Z Bennett-Hattan

(74) *Attorney, Agent, or Firm* — Hitchcock Evert LLP

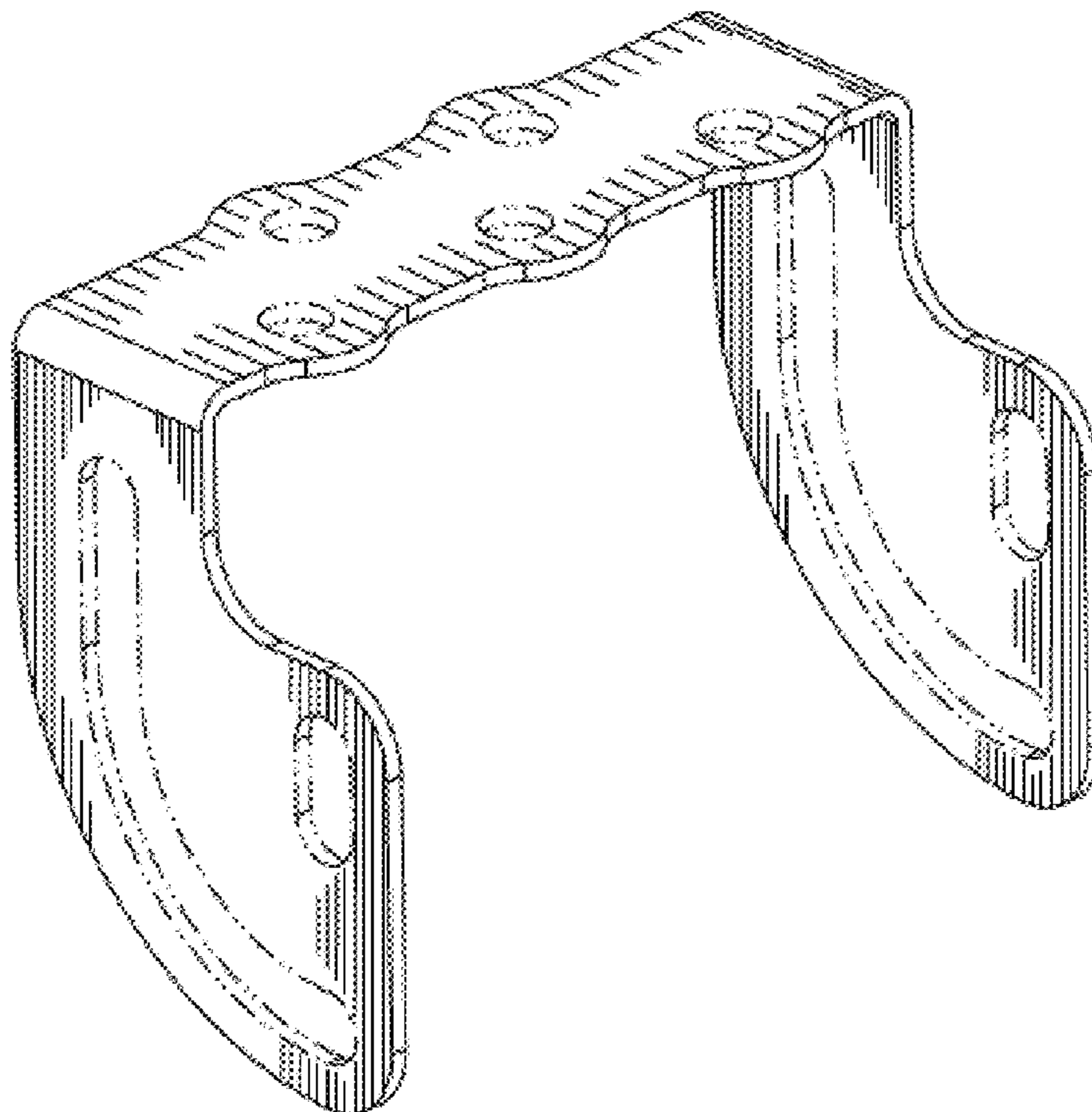
(57) **CLAIM**

The ornamental design for a wing bracket, as shown and described.

DESCRIPTION

FIG. 1 is a perspective view from the top-left of the wing bracket;
FIG. 2 is a front view thereof;
FIG. 3 is a back view thereof;
FIG. 4 is a right side view thereof;
FIG. 5 is a left side view thereof;
FIG. 6 is a top view thereof;
FIG. 7 is a bottom view thereof; and,
FIG. 8 is a perspective view from the bottom-right thereof.
The features shown in broken lines are for the purpose of illustrating portions of the article that form no part of the claimed design.

1 Claim, 6 Drawing Sheets



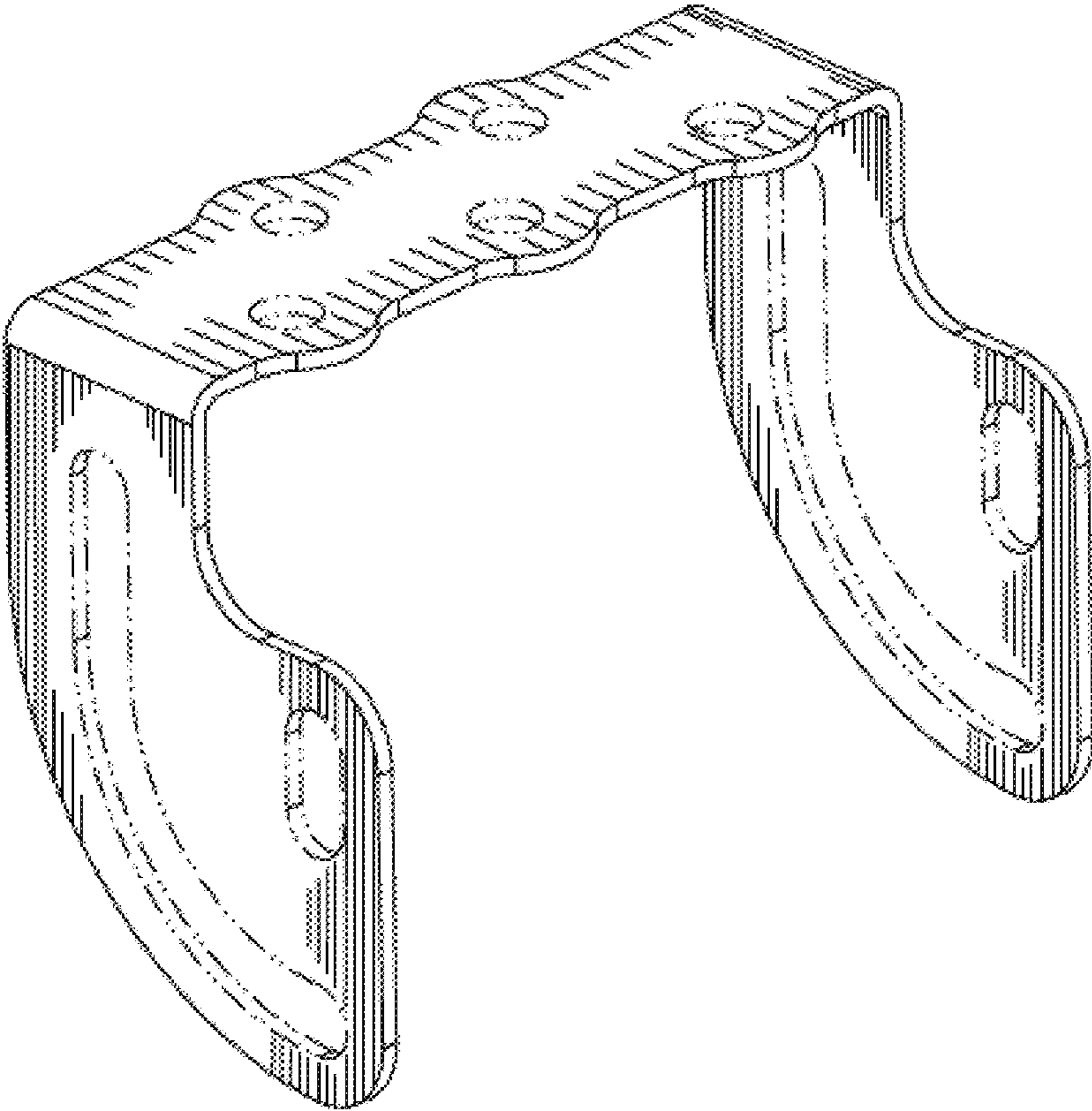


FIG. 1

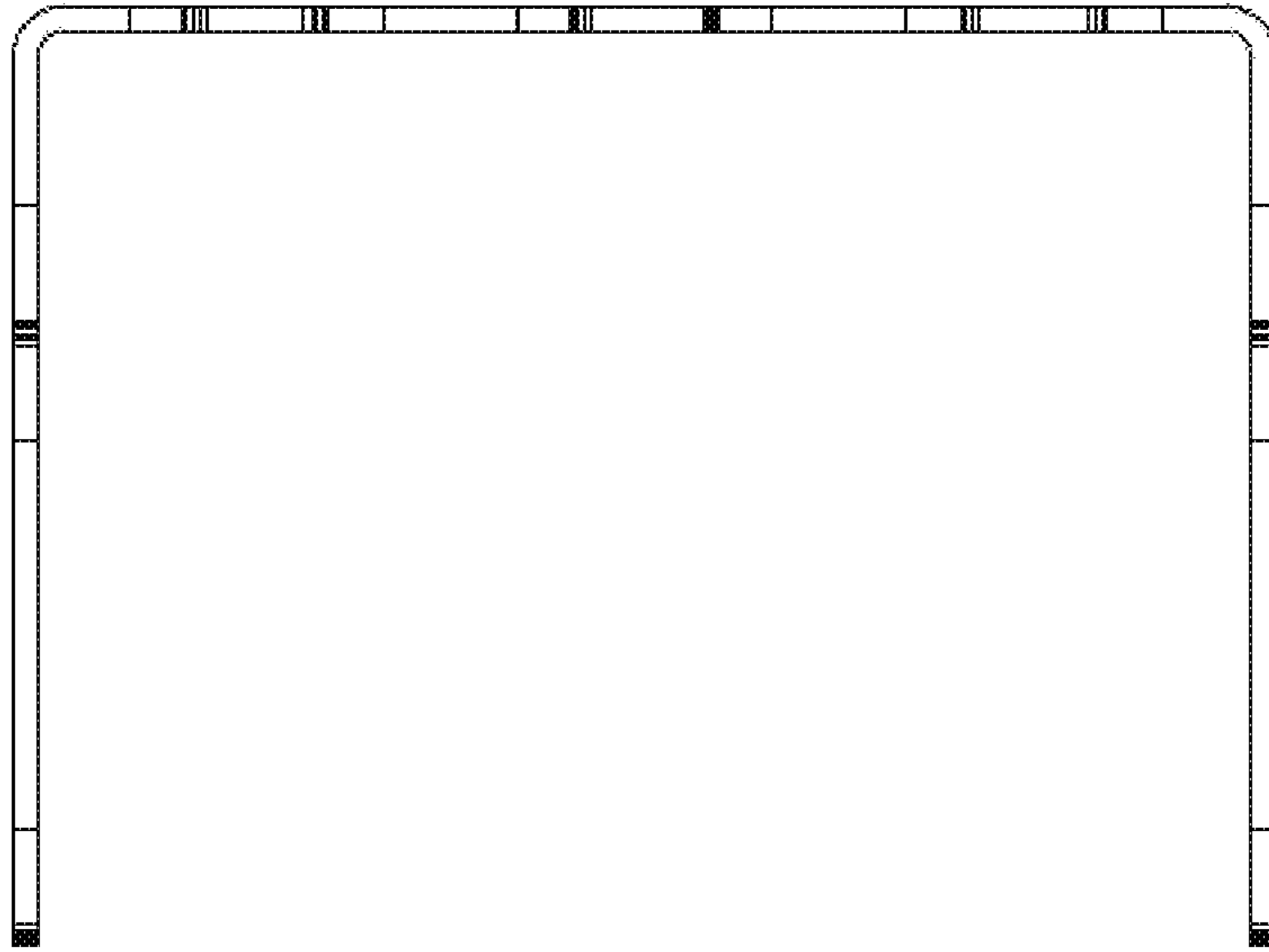


FIG. 2

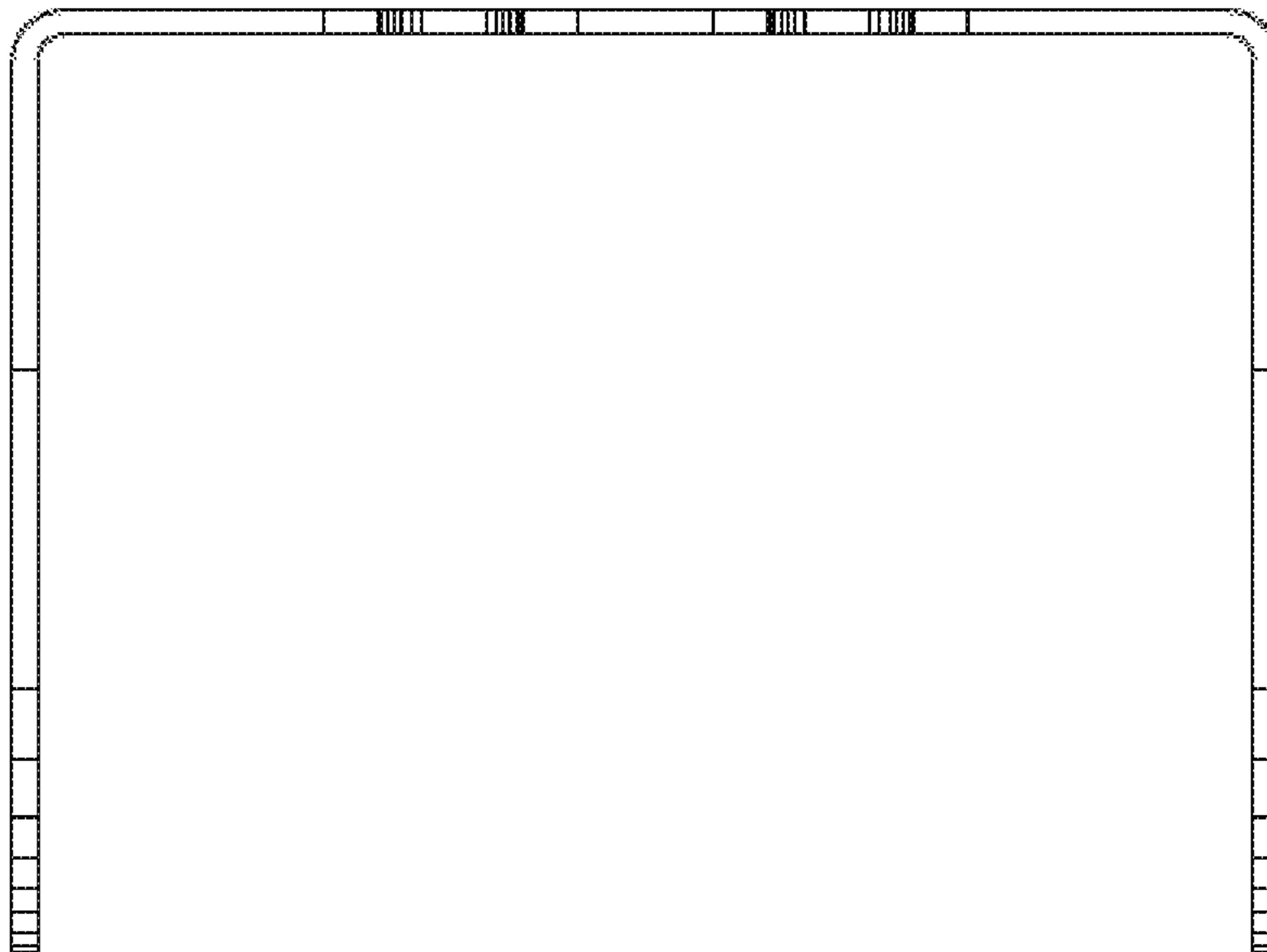


FIG. 3

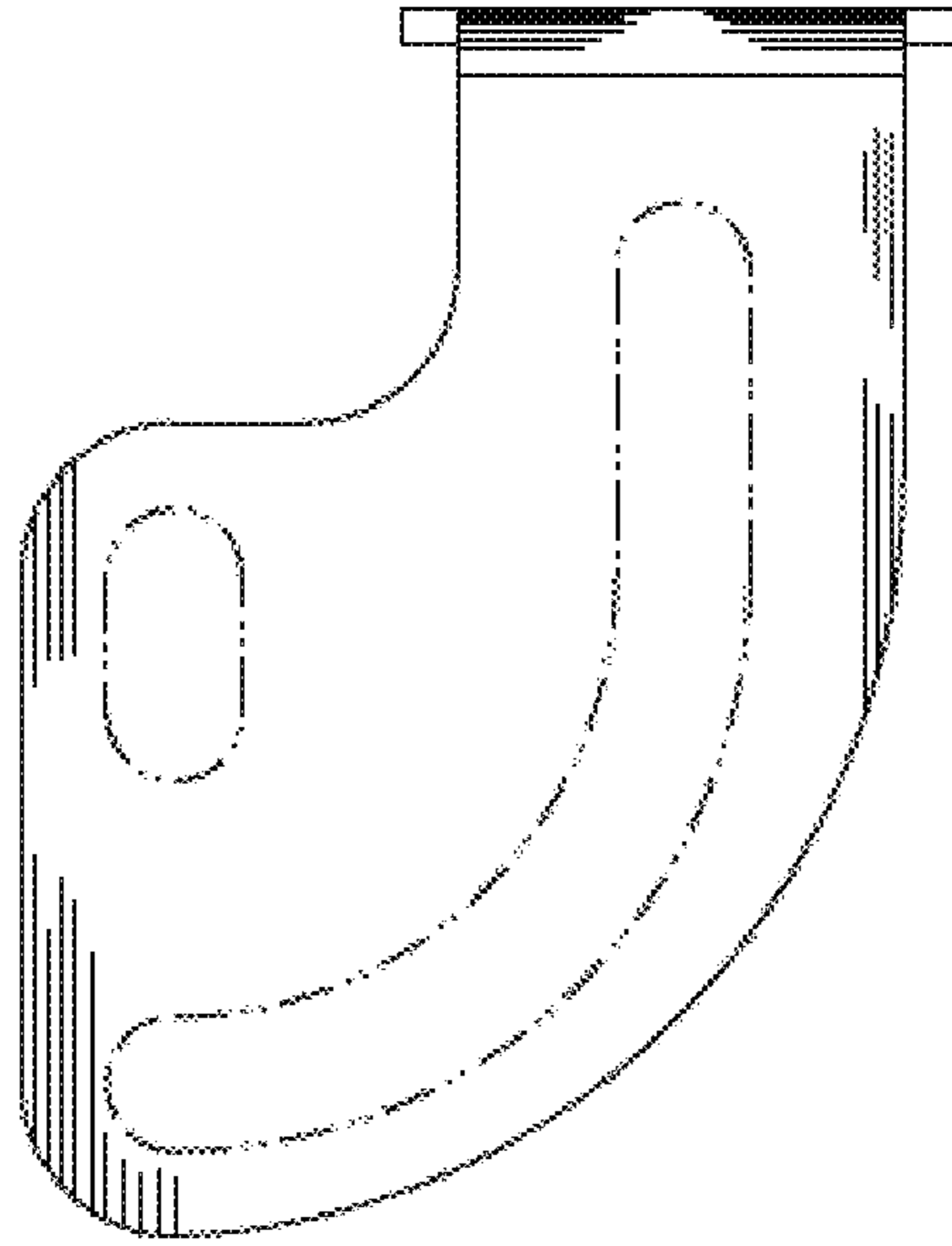


FIG. 4

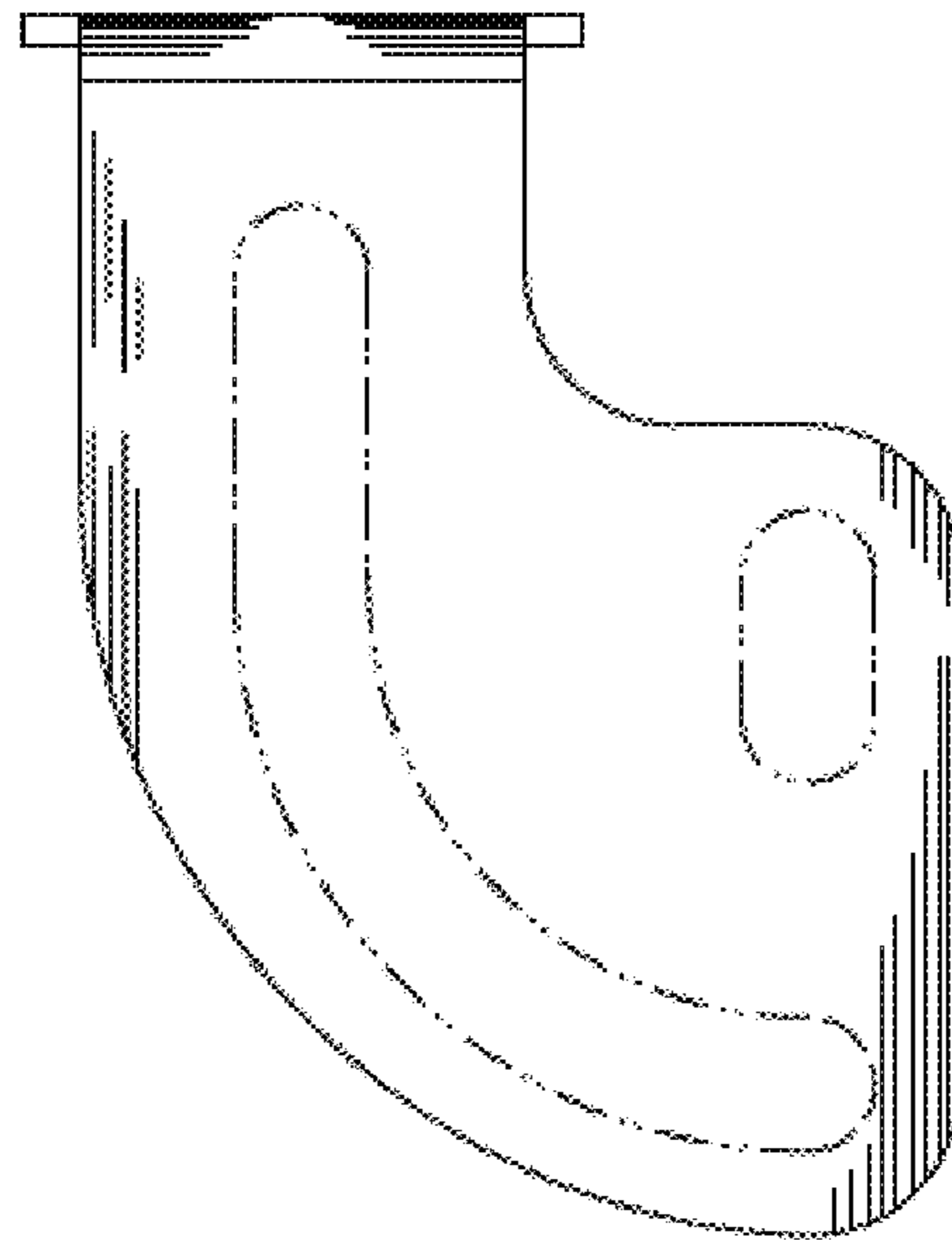


FIG. 5

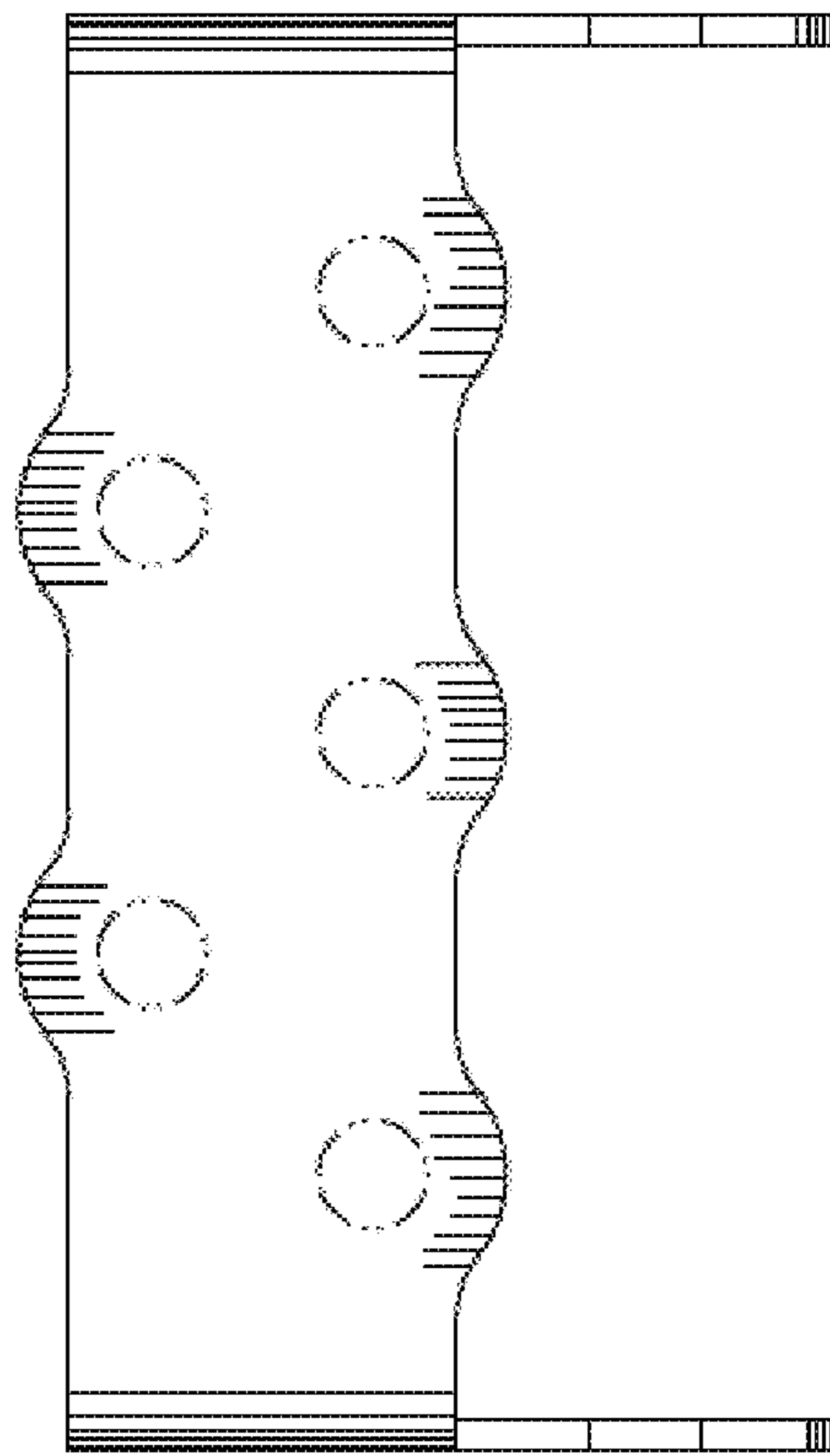


FIG. 6

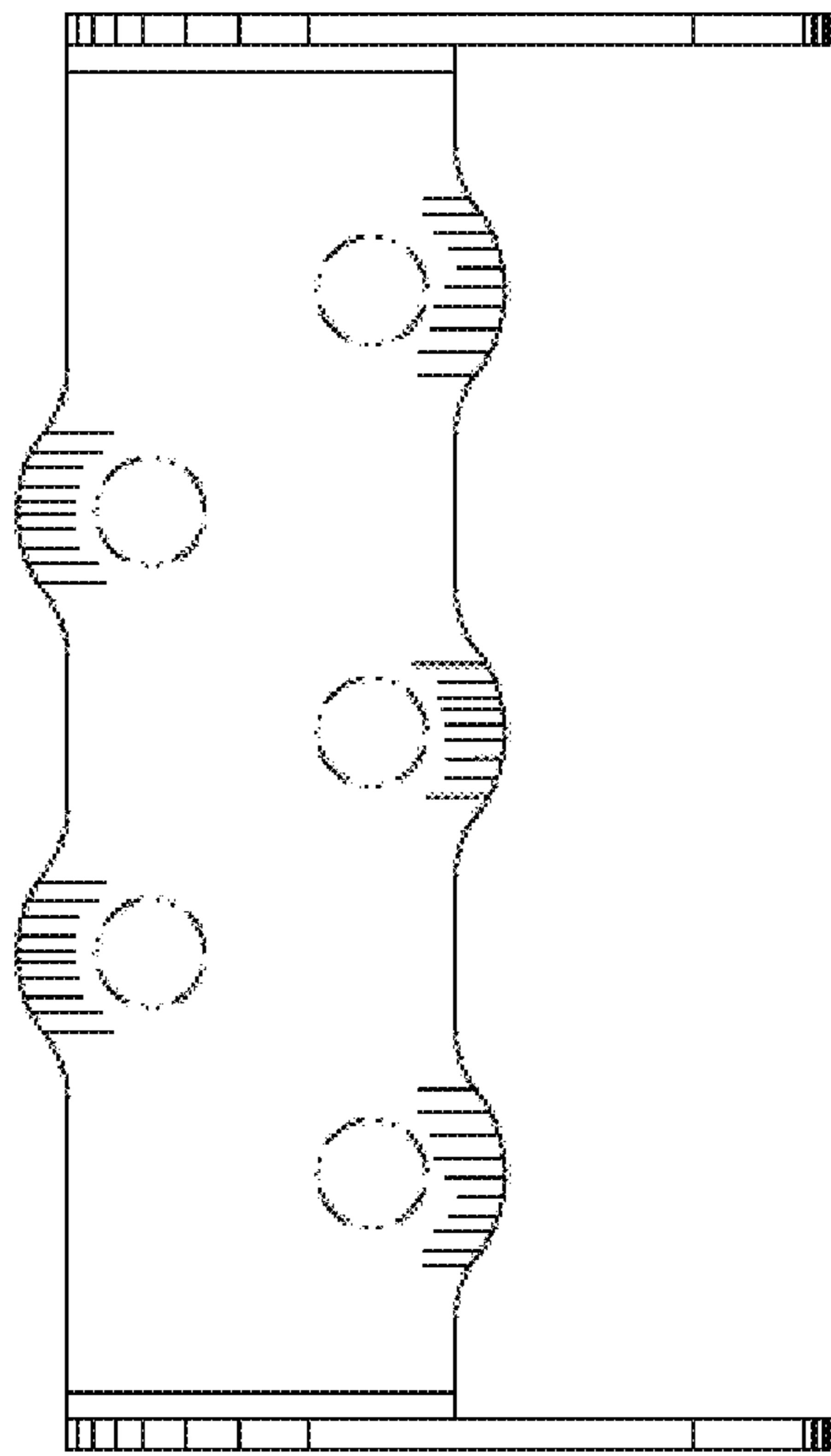


FIG. 7

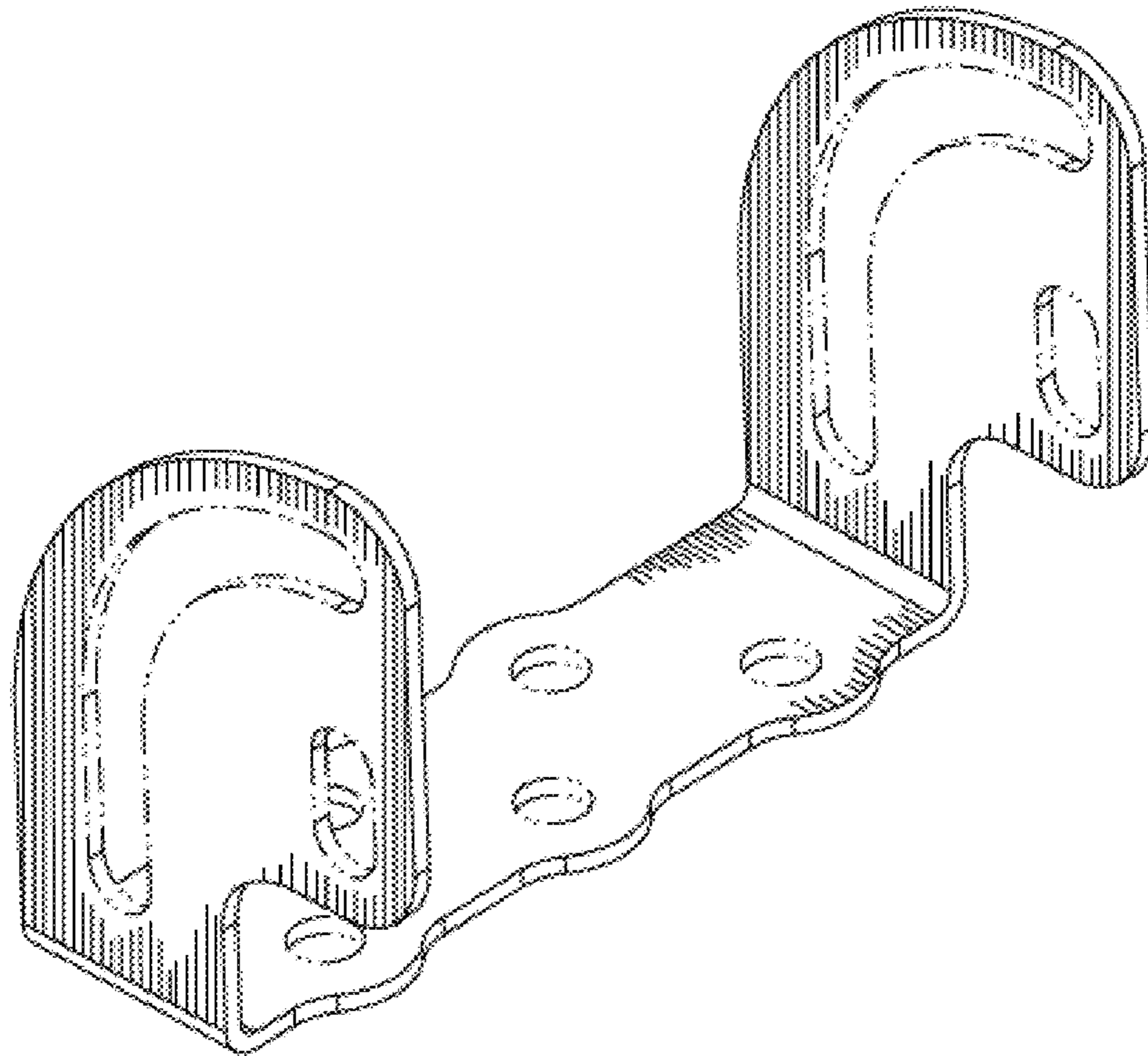


FIG. 8