



US00D829080S

(12) **United States Design Patent** (10) **Patent No.:** **US D829,080 S**  
**Hill** (45) **Date of Patent:** **\*\* Sep. 25, 2018**

- (54) **SHIMLESS SPACER**
- (71) Applicant: **Jonathan A. Hill**, Clintonville, WI (US)
- (72) Inventor: **Jonathan A. Hill**, Clintonville, WI (US)
- (73) Assignee: **STEEL KING INDUSTRIES, INC.**, Stevens Point, WI (US)
- (\*\*) Term: **15 Years**
- (21) Appl. No.: **29/505,696**
- (22) Filed: **Jan. 8, 2016**

3,309,117 A	3/1967	Gottschald	
3,895,663 A *	7/1975	Bashline .....	F16B 39/24 411/136
4,008,595 A	2/1977	Purcupile et al.	
4,008,598 A *	2/1977	Purcupile .....	F16B 31/043 492/1
4,538,313 A *	9/1985	Frieberg .....	B21D 53/20 411/149
4,704,058 A *	11/1987	Crunwell .....	F16B 39/24 301/114
5,060,498 A	10/1991	Seto et al.	
5,175,999 A	1/1993	Hara et al.	
D347,567 S	6/1994	Duffy	
5,327,762 A	7/1994	Nagamine et al.	
D372,192 S	7/1996	Pigott et al.	
5,599,264 A	2/1997	Hashimoto et al.	
D380,959 S	7/1997	Mitchell	
D445,077 S *	7/2001	Lovitt, Jr. ....	D12/207
D559,080 S *	1/2008	Boote .....	D8/354
D633,872 S	3/2011	Shen et al.	
D654,348 S *	2/2012	Musselman .....	D8/349

**Related U.S. Application Data**

- (62) Division of application No. 29/463,135, filed on Aug. 12, 2013, now Pat. No. Des. 750,467.
- (51) **LOC (11) Cl.** ..... **08-08**
- (52) **U.S. Cl.**  
USPC ..... **D8/354**
- (58) **Field of Classification Search**  
USPC .... D8/16, 19, 350, 354, 364, 366, 499, 380,  
D8/381  
CPC . B60B 11/06; F16B 39/24; F16C 1/22; Y10T  
403/32737  
See application file for complete search history.

*Primary Examiner* — Rosemary K Tarcza  
*Assistant Examiner* — Alison M Ofstun  
 (74) *Attorney, Agent, or Firm* — Richard John Bartz

(57) **CLAIM**

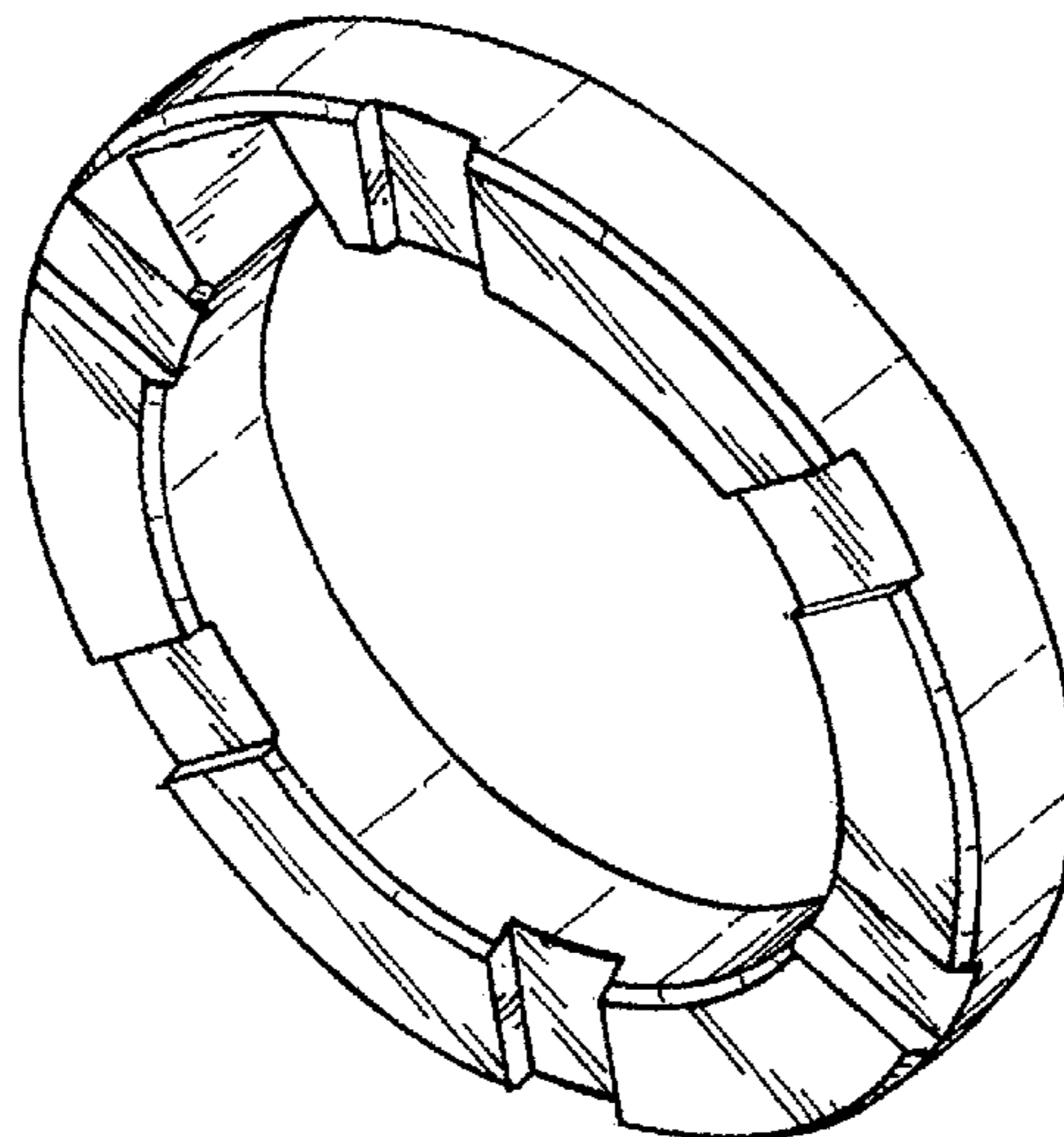
The ornamental design for a shimless spacer, as shown and described.

**DESCRIPTION**

FIG. 1 is a perspective view of a shimless spacer of my new design;  
 FIG. 2 is a front elevational view thereof;  
 FIG. 3 is a rear elevational view thereof;  
 FIG. 4 is a top plan view thereof;  
 FIG. 5 is a bottom plan view thereof;  
 FIG. 6 is a side elevational view of the left side thereof; and,  
 FIG. 7 is a side elevational view of the right side thereof.

**1 Claim, 3 Drawing Sheets**

- (56) **References Cited**  
U.S. PATENT DOCUMENTS
- 1,197,738 A \* 9/1916 Hjort ..... F16B 39/24  
411/158
- 1,622,581 A \* 3/1927 Gunkel ..... F16B 39/24  
411/138
- 1,792,122 A 6/1928 Rafter
- D198,713 S 7/1964 Curtiss
- 3,263,727 A \* 8/1966 Herpolsheimer ..... F16B 39/24  
411/136



(56)

**References Cited**

U.S. PATENT DOCUMENTS

D658,973	S	5/2012	Drake	
D658,978	S	5/2012	Linares	
D676,309	S *	2/2013	Bailey .....	D8/354
8,579,572	B1	11/2013	Psimas	
D695,591	S	12/2013	Ackerman et al.	
D700,501	S	3/2014	Ackerman et al.	
D750,467	S *	3/2016	Hill .....	D8/349
D766,703	S *	9/2016	Hill .....	D8/354
D766,704	S *	9/2016	Hill .....	D8/354
2003/0152439	A1 *	8/2003	Hartmann .....	F16B 39/24 411/161
2004/0149033	A1 *	8/2004	Hansen .....	G01M 1/045 73/487
2007/0248434	A1 *	10/2007	Wiley .....	F16B 7/187 411/160
2010/0260580	A1 *	10/2010	Andersson .....	F16B 39/24 411/534
2013/0322797	A1	12/2013	Barth et al.	
2015/0176434	A1 *	6/2015	Gerend S .....	F23R 3/002 411/531
2015/0226249	A1 *	8/2015	Otto .....	F16B 31/028 29/525.02

\* cited by examiner

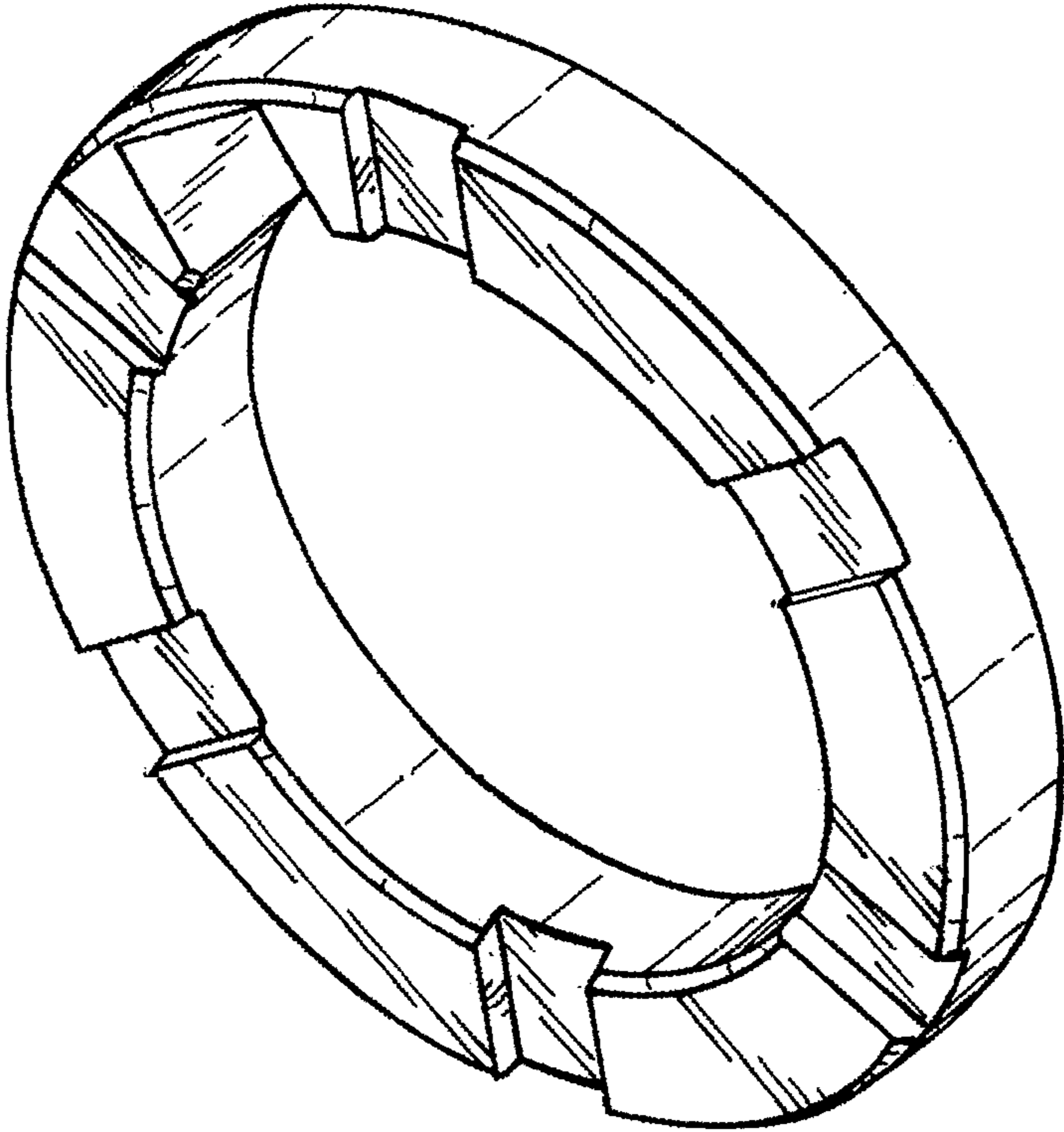


FIG.1

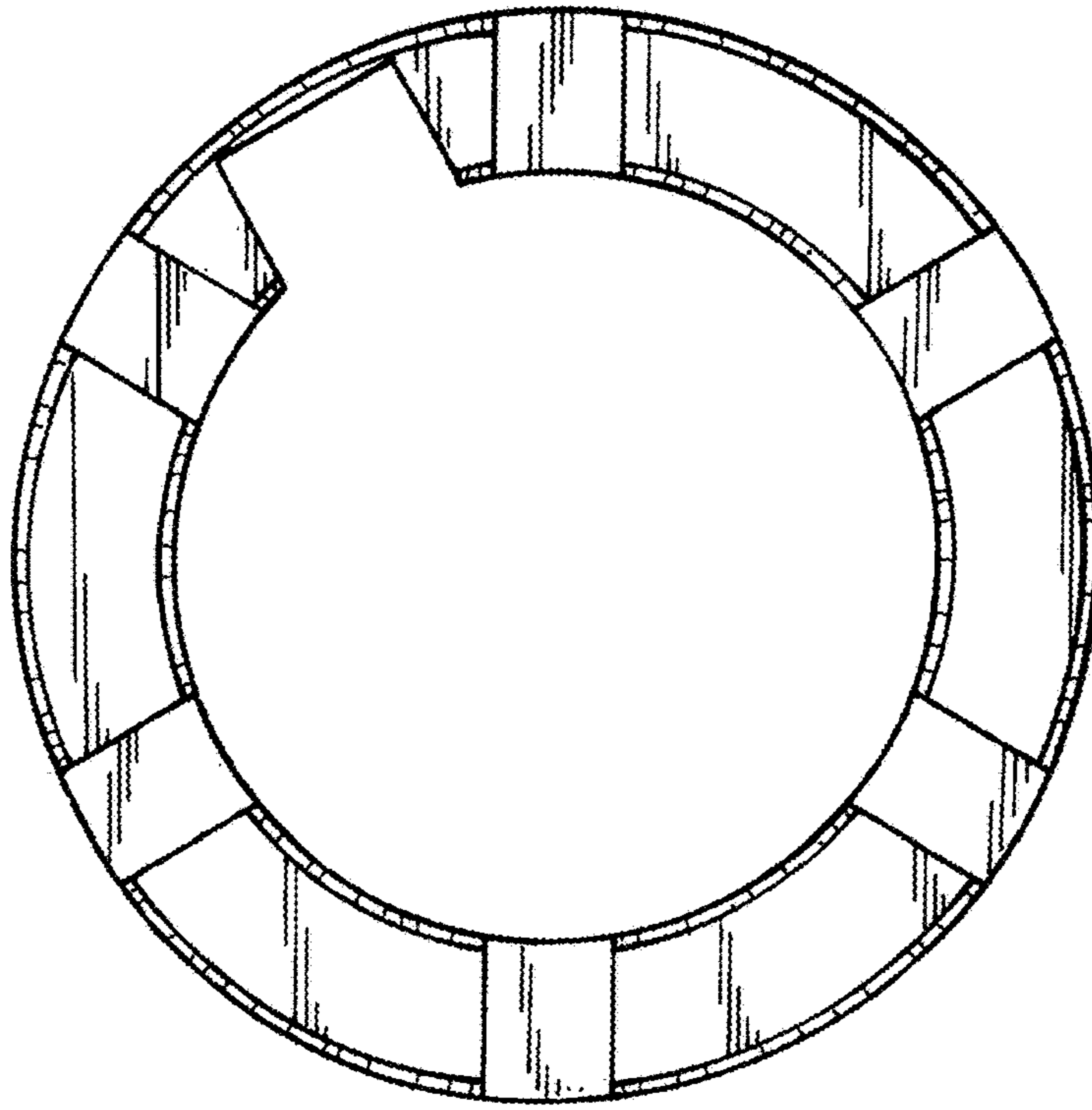


FIG. 2

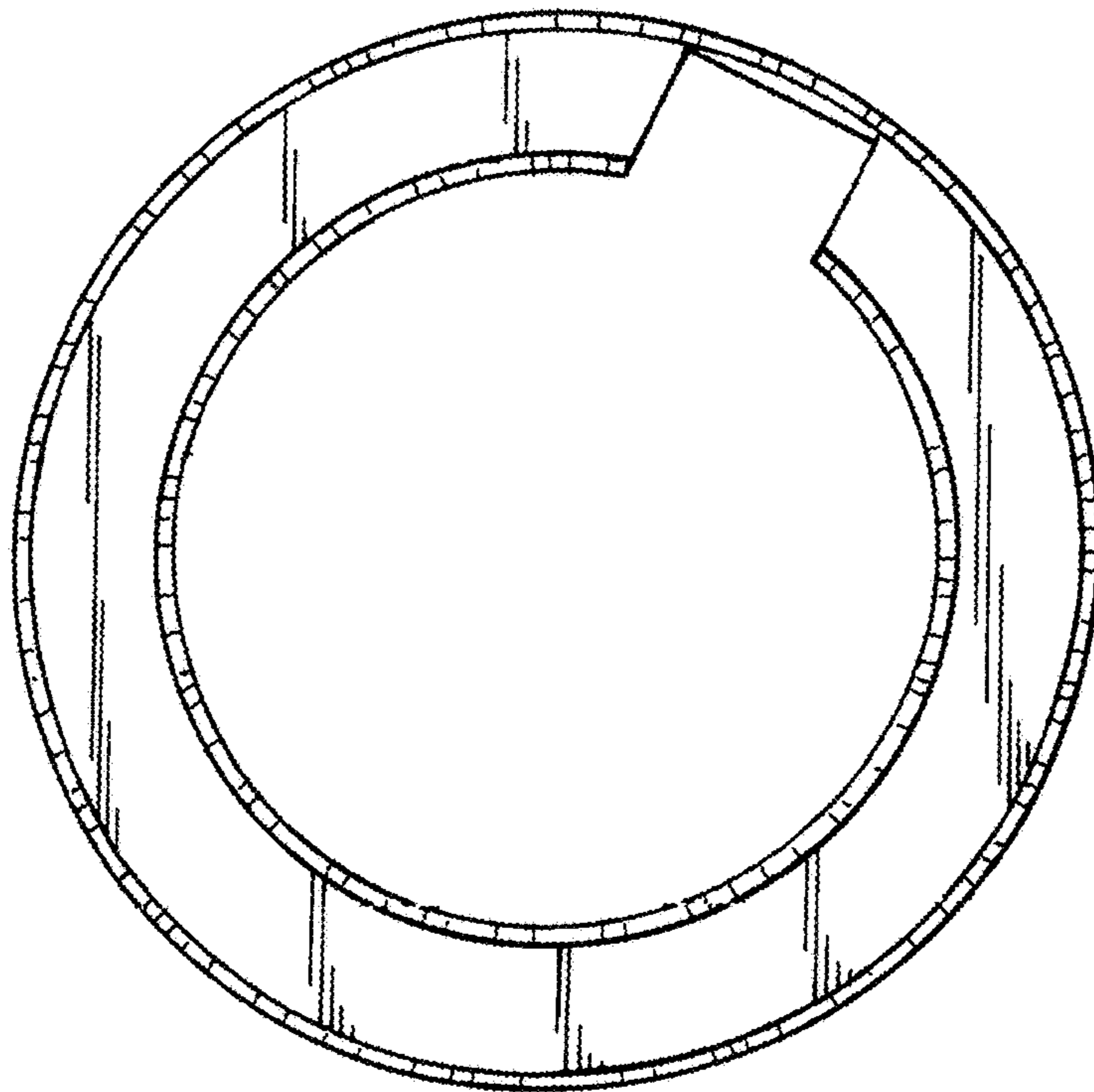


FIG. 3



FIG. 4

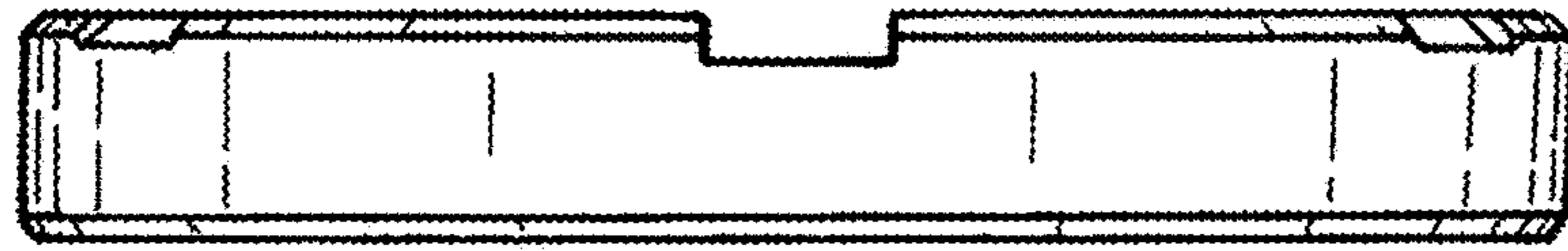


FIG. 5

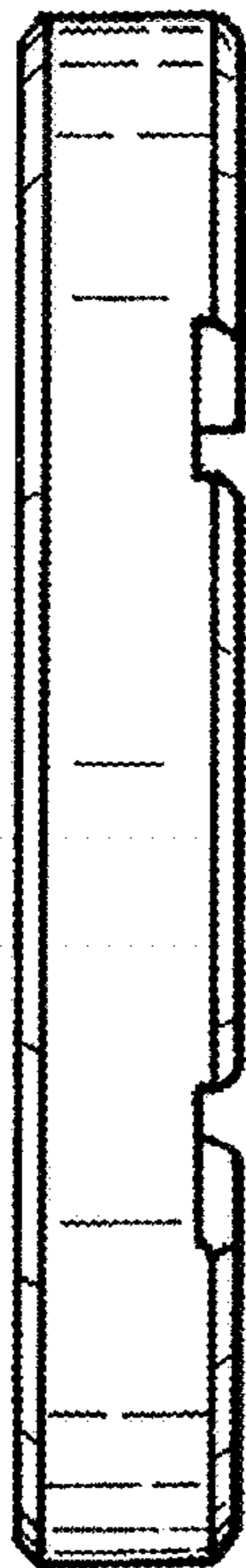


FIG. 6

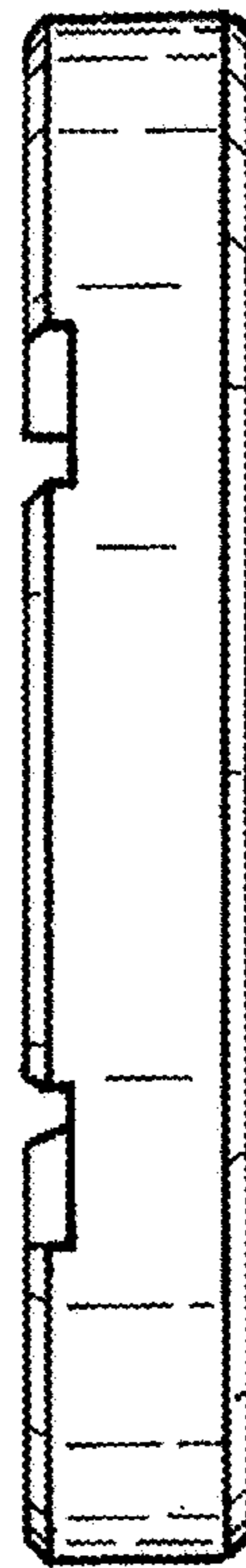


FIG. 7