



US00D829079S

(12) **United States Design Patent**
Halling

(10) **Patent No.:** **US D829,079 S**

(45) **Date of Patent:** **** Sep. 25, 2018**

(54) **ANCHOR BRACE FOR LID**

(71) Applicant: **TRASH BUDDY, LLC**, Layton, UT
(US)

(72) Inventor: **Benjamin C. Halling**, Clearfield, UT
(US)

(73) Assignee: **TRASH BUDDY, LLC**, Layton, UT
(US)

(**) Term: **15 Years**

(21) Appl. No.: **29/590,368**

(22) Filed: **Jan. 10, 2017**

(51) **LOC (11) Cl.** **08-08**

(52) **U.S. Cl.**
USPC **D8/349**

(58) **Field of Classification Search**
USPC D8/16, 19, 350, 353, 354, 364, 366, 499,
D8/380, 381, 371, 373, 349; D34/10, 11;
D9/434, 435
CPC A47B 2220/0036; E04B 1/26; E04B
2001/2415; E04B 2001/2644; E04B
2001/405; E04H 17/1421; E04H
2017/1473; A47G 1/00; A47G 25/00;
F16L 3/00

See application file for complete search history.

(56) **References Cited**

U.S. PATENT DOCUMENTS

2,807,431	A *	9/1957	McHale	B44D 3/123 24/535
D263,788	S *	4/1982	McKinnon	D8/394
D285,647	S *	9/1986	Sachs	174/41
D301,336	S *	5/1989	Copeland	D13/177
D333,085	S *	2/1993	Thomsen	D8/349
D342,011	S *	12/1993	Maguire	D8/349
D398,835	S *	9/1998	Coll	D8/354
D425,403	S *	5/2000	Medina	D8/354
D507,959	S *	8/2005	Mottini	D8/354

D653,592	S *	2/2012	Brown	D12/162
D666,898	S *	9/2012	McMahon	D8/373
D732,373	S *	6/2015	Wagner	D8/349
9,551,182	B2 *	1/2017	Svehlek	E06C 7/48

OTHER PUBLICATIONS

Trash Buddy Dog Proof Trash Can Lid, Trash Buddy, first available on Sep. 2, 2014 on amazon.com, retrieved on Feb. 15, 2018, retrieved from the Internet URL: <https://www.amazon.com/Trash-Buddy-Easy-Install-Solution-Securing/dp/B00N9G87UM>.*

* cited by examiner

Primary Examiner — Jennifer A Rivard

Assistant Examiner — Alison M Ofstun

(74) *Attorney, Agent, or Firm* — Holland & Hart LLP

(57) **CLAIM**

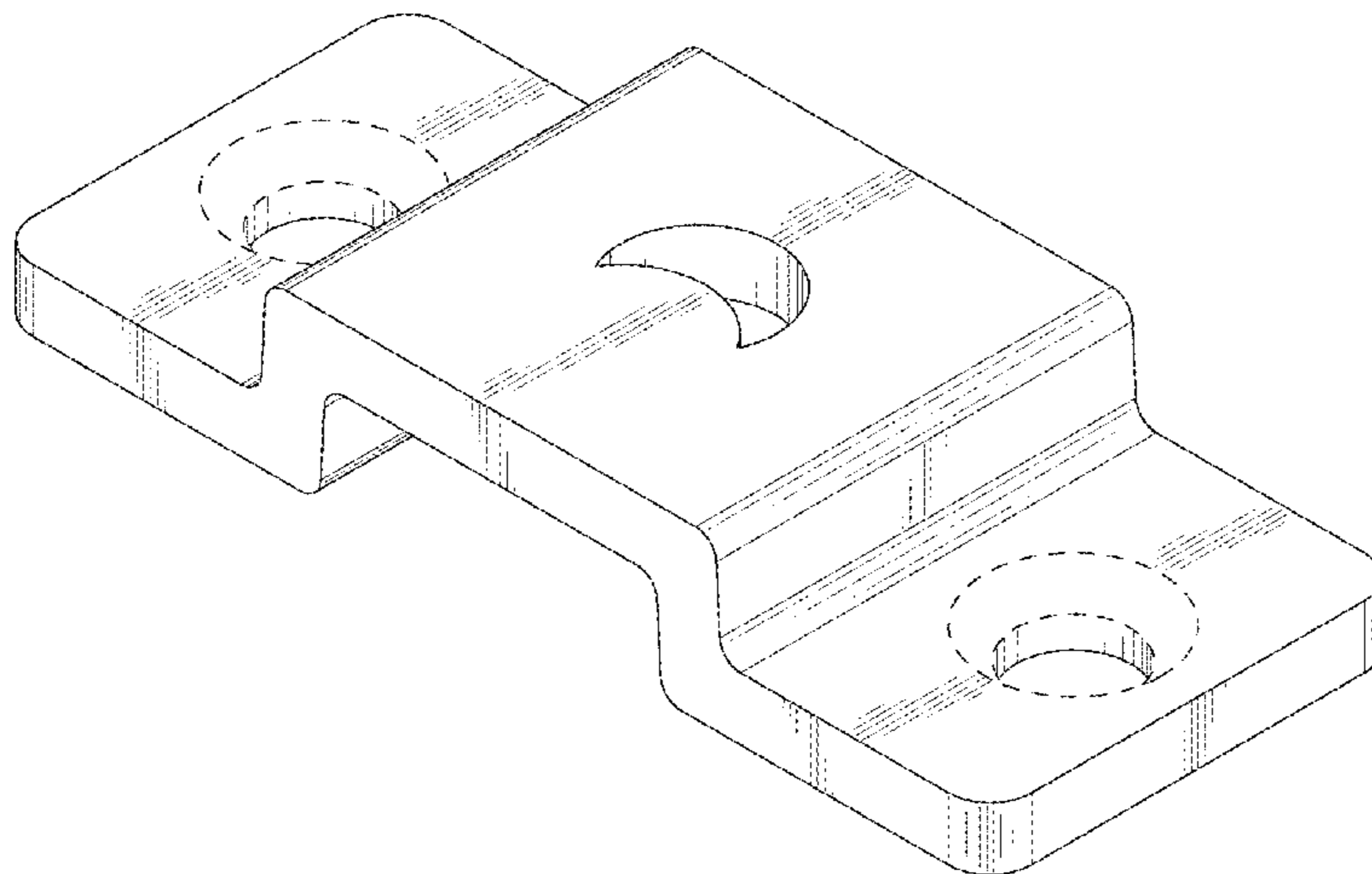
The ornamental design for an anchor brace for lid, as shown and described.

DESCRIPTION

FIG. 1 is a top, rear perspective view of an anchor brace for lid;
FIG. 2 is a bottom, rear perspective view thereof;
FIG. 3 is a top, front perspective view thereof;
FIG. 4 is a bottom, front perspective view thereof;
FIG. 5 is a front side view thereof;
FIG. 6 is a rear side view thereof;
FIG. 7 is a right side view thereof;
FIG. 8 is a left side view thereof;
FIG. 9 is a top view thereof;
FIG. 10 is a bottom view thereof; and,
FIG. 11 is a sectional view taken along the lines "11-11" as shown in FIG. 9.

The broken lines shown in the drawings represent boundaries of unclaimed subject matter and form no part of the claimed design.

1 Claim, 11 Drawing Sheets



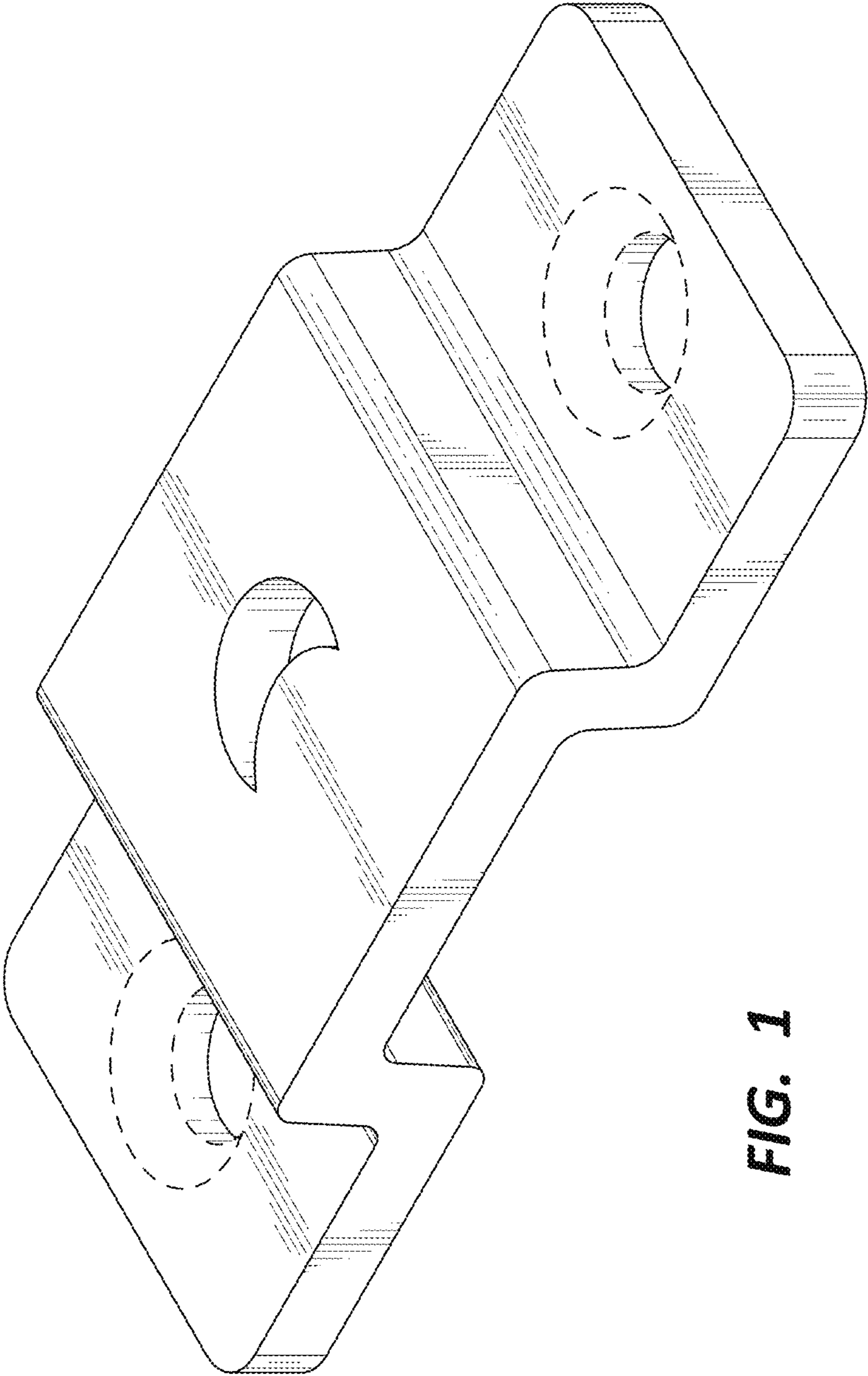


FIG. 1

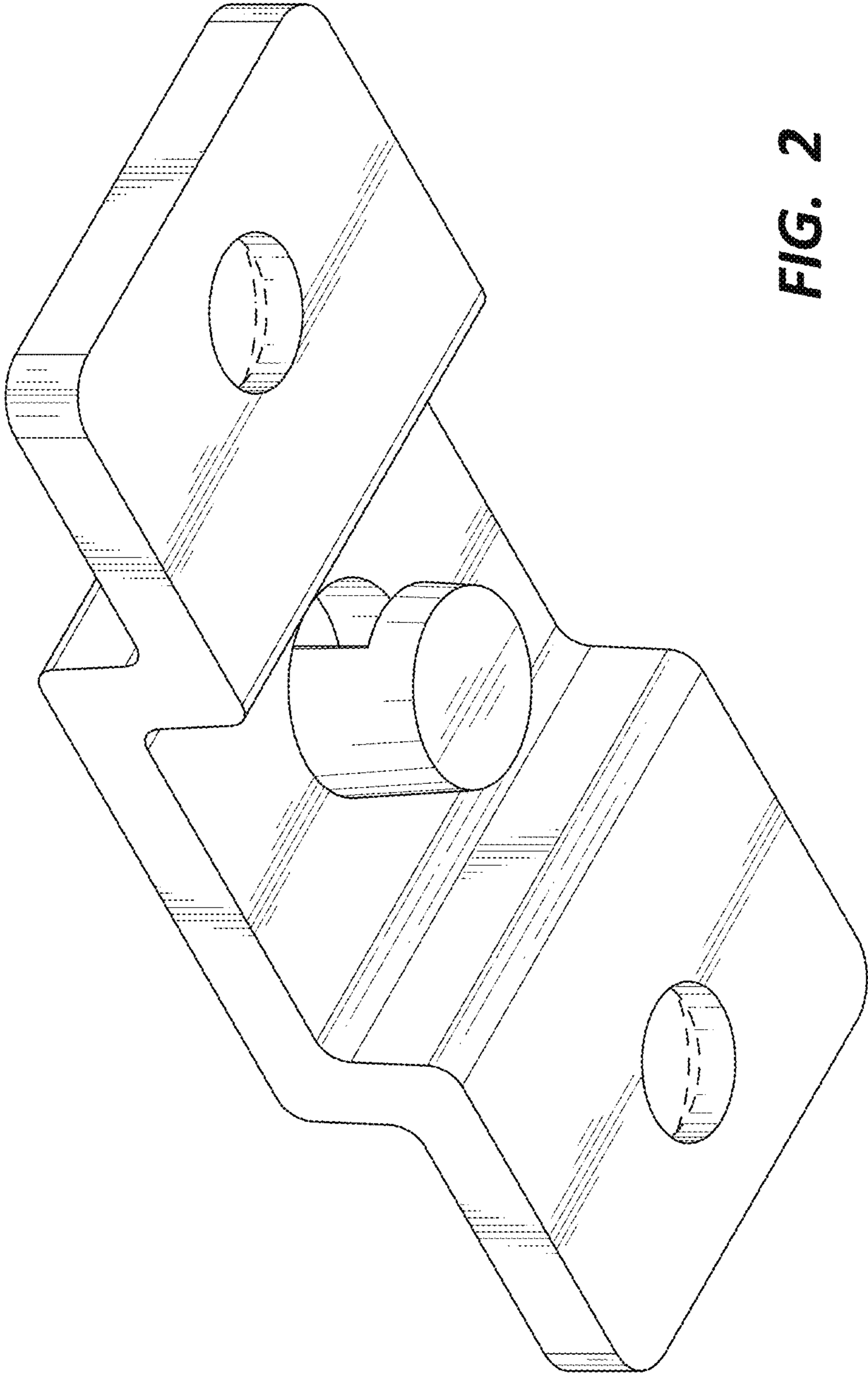


FIG. 2

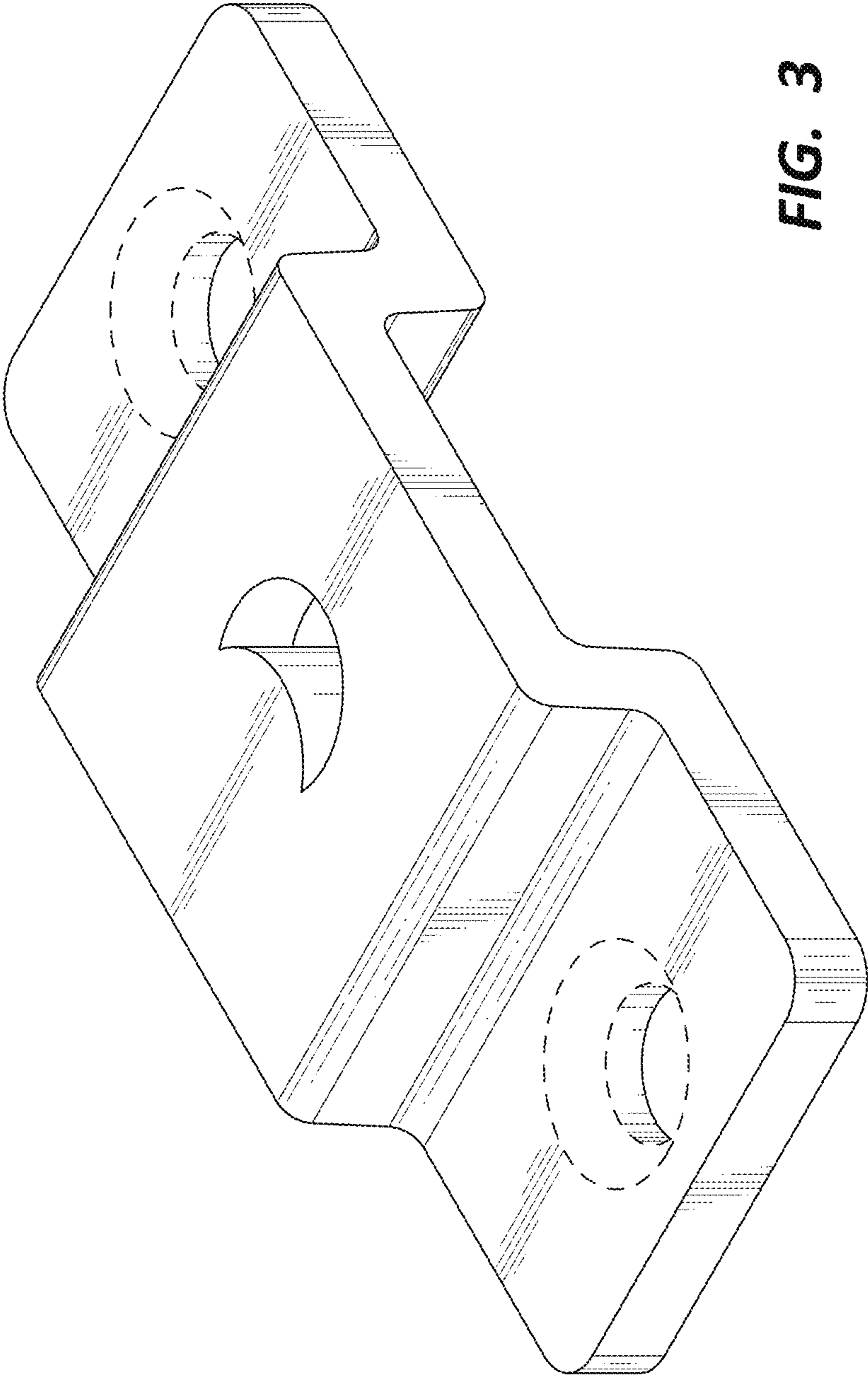


FIG. 3

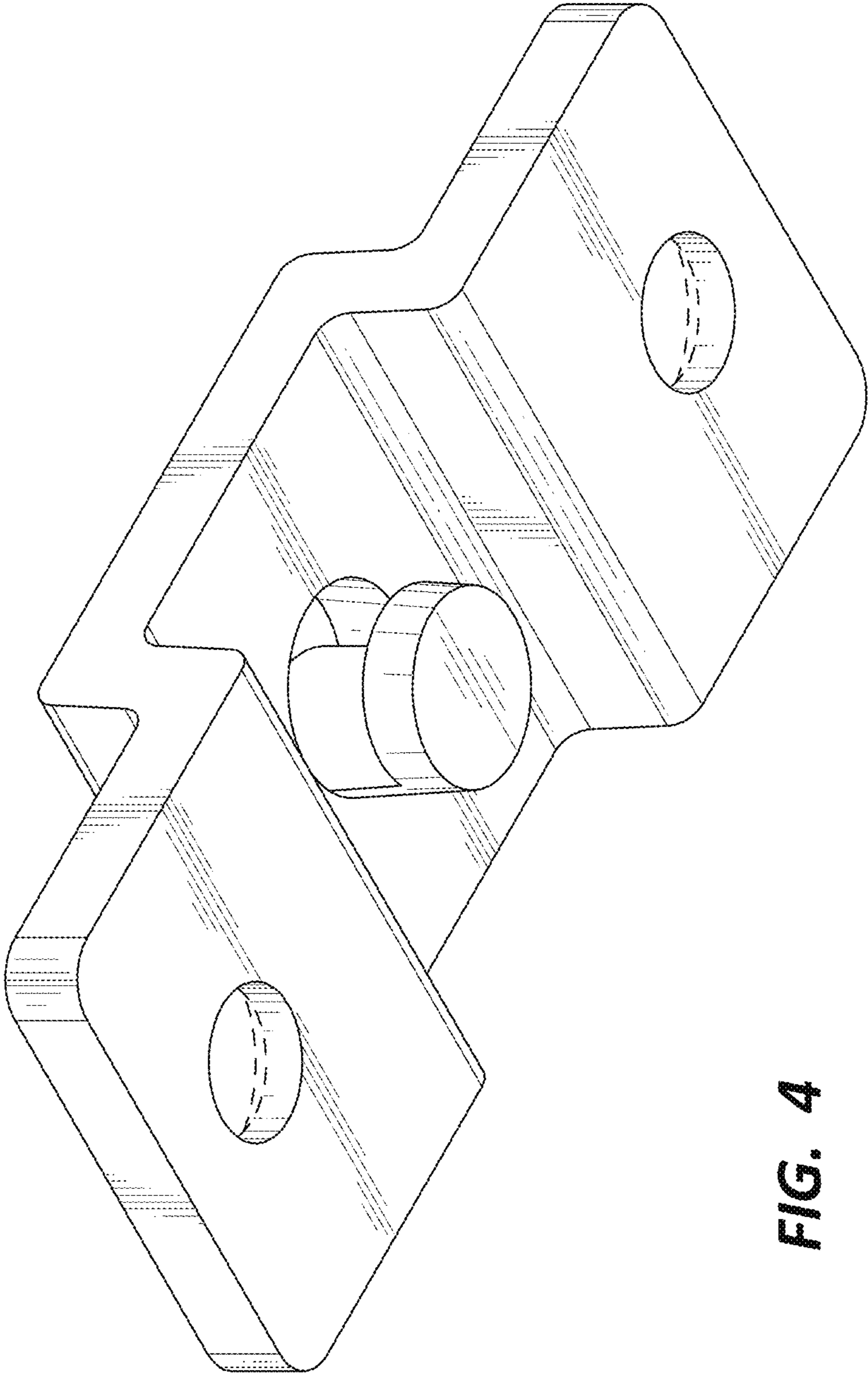


FIG. 4

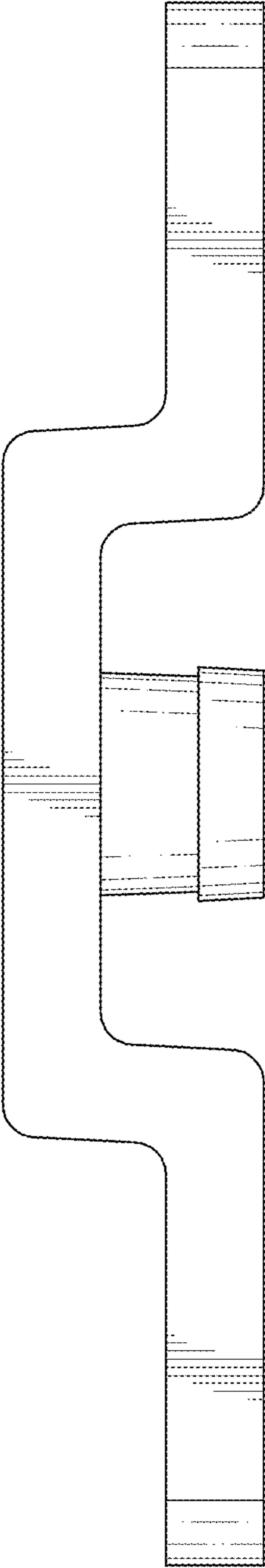


FIG. 5

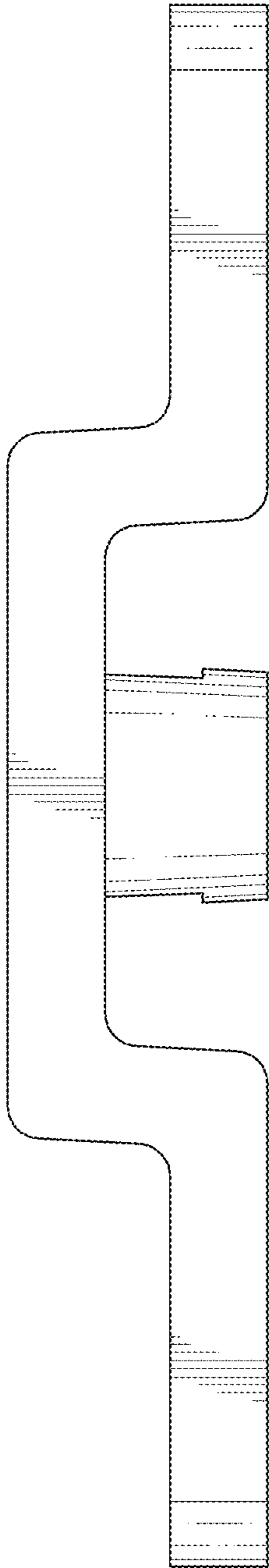


FIG. 6

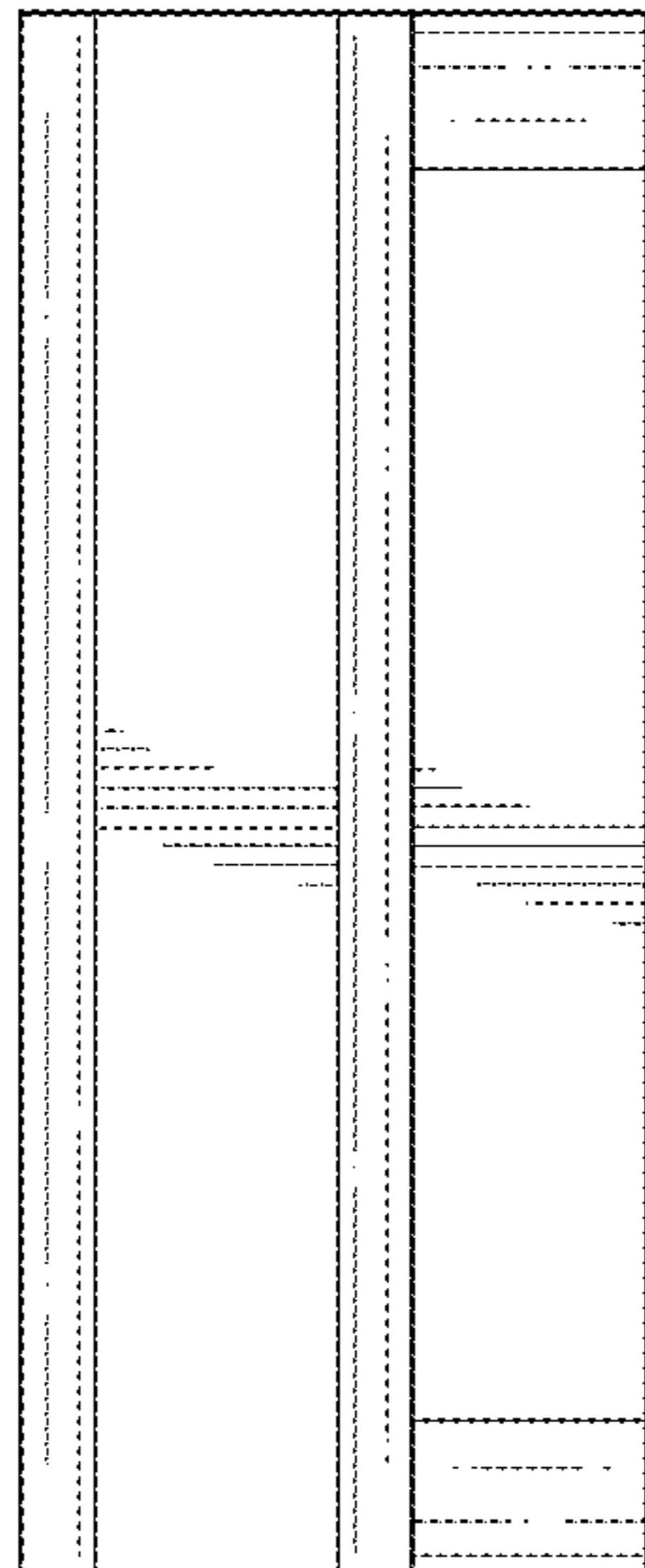


FIG. 7

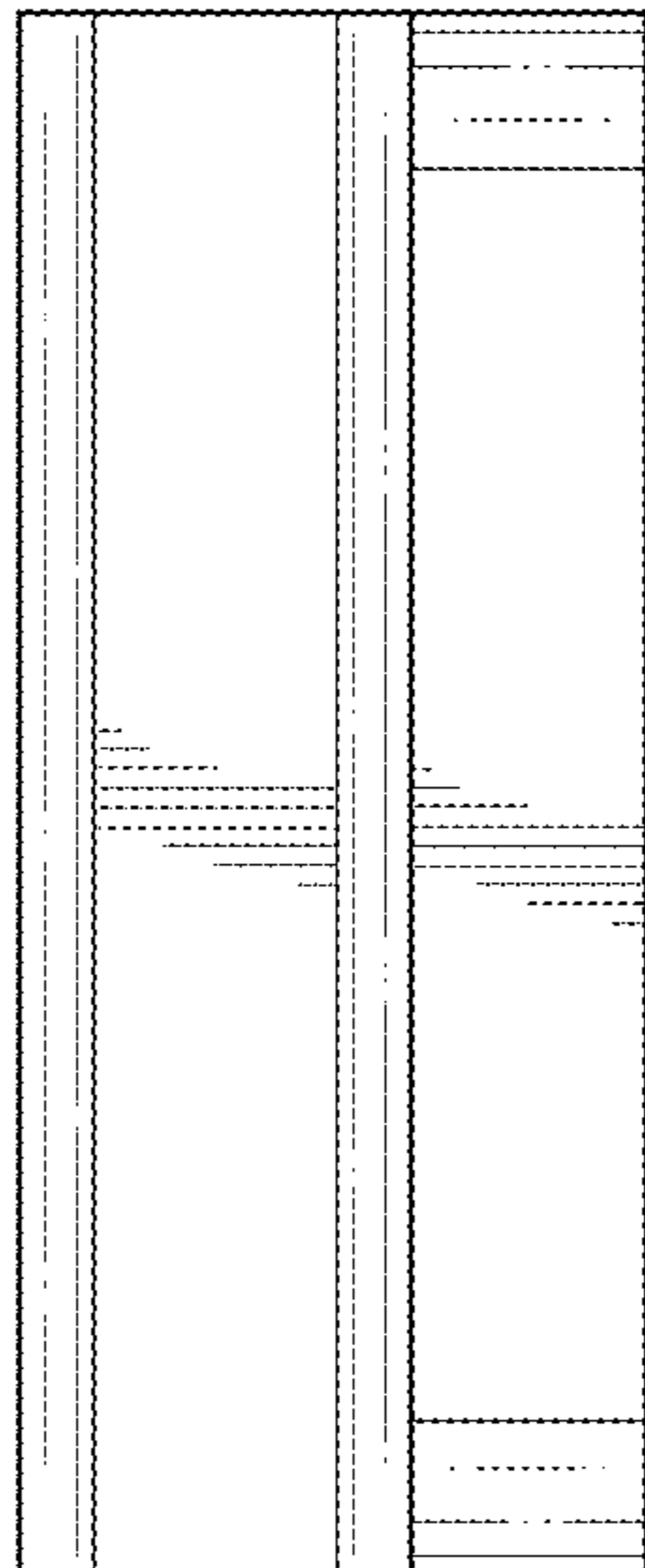


FIG. 8

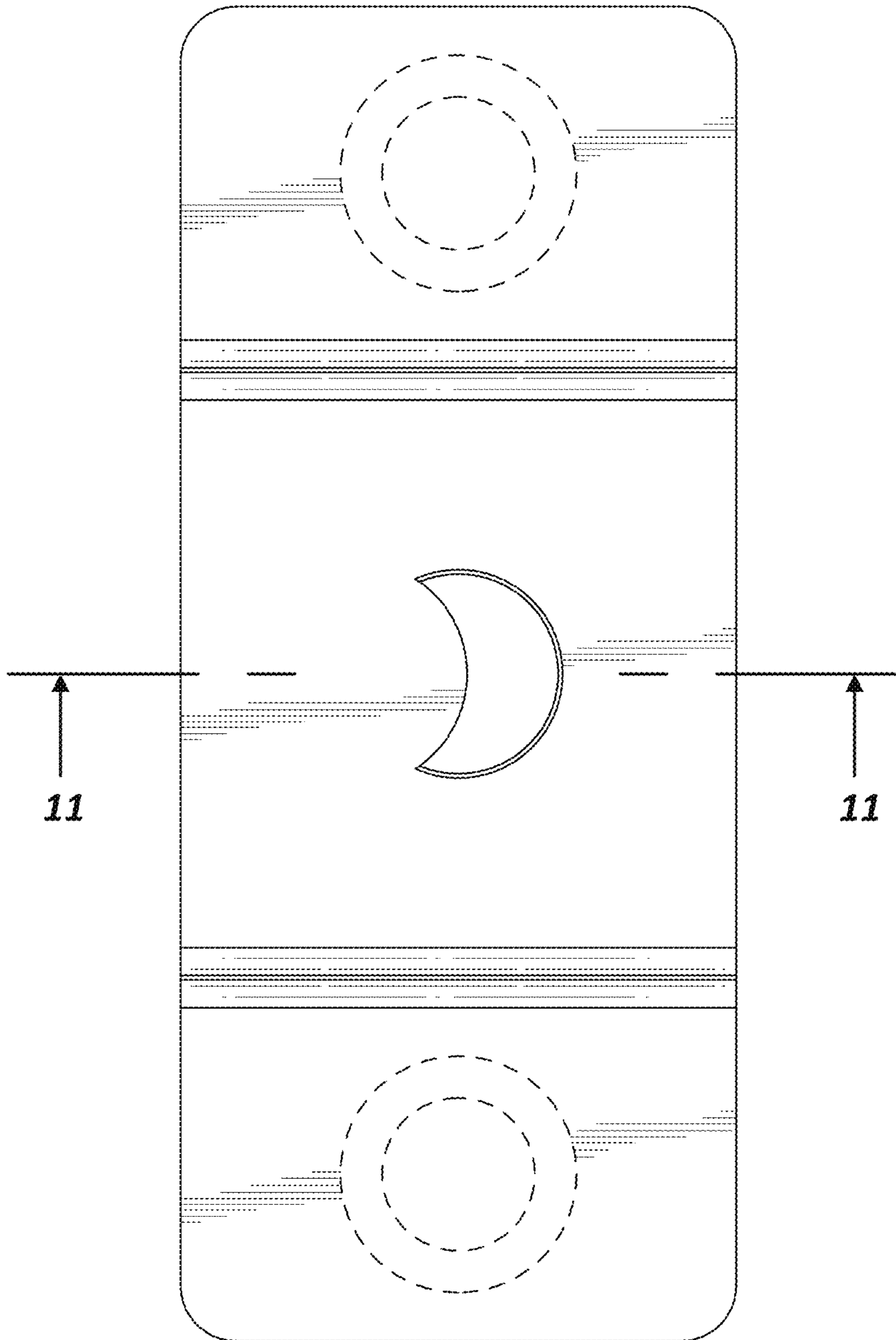


FIG. 9

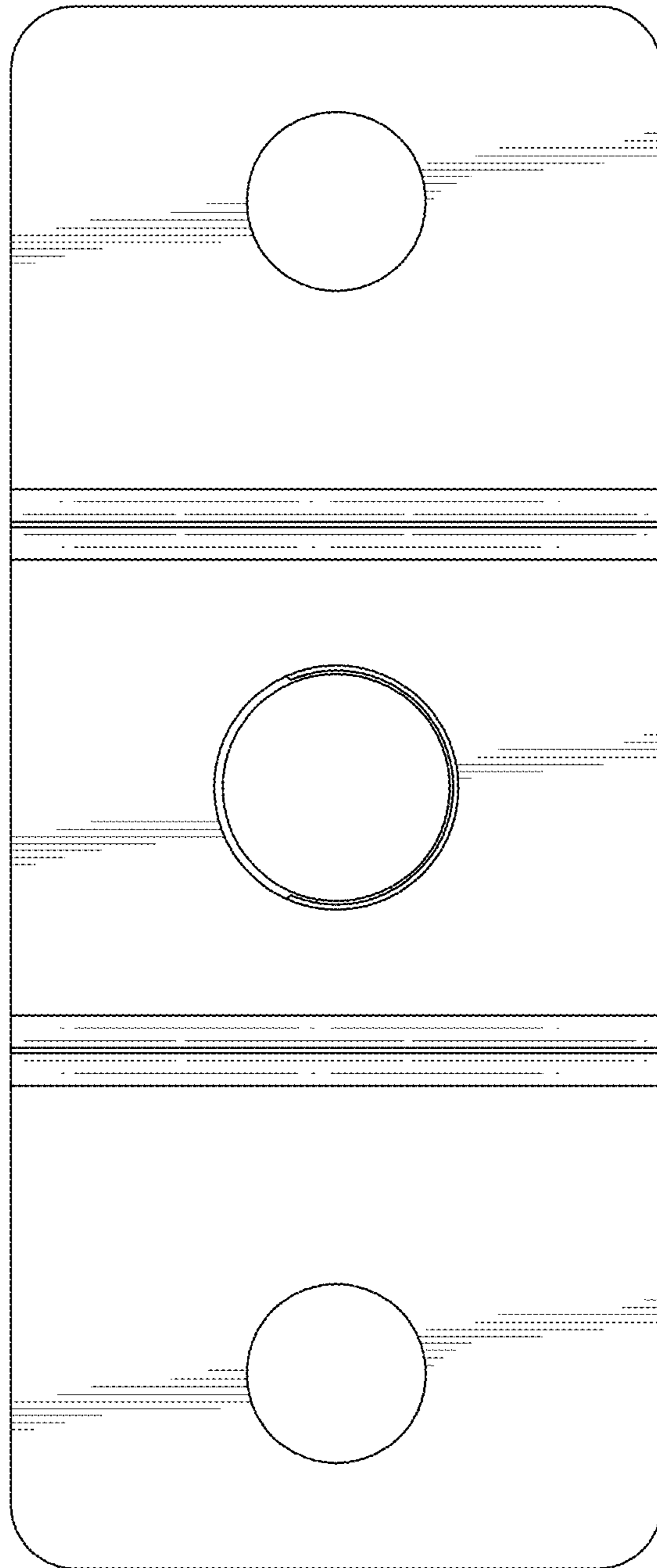


FIG. 10

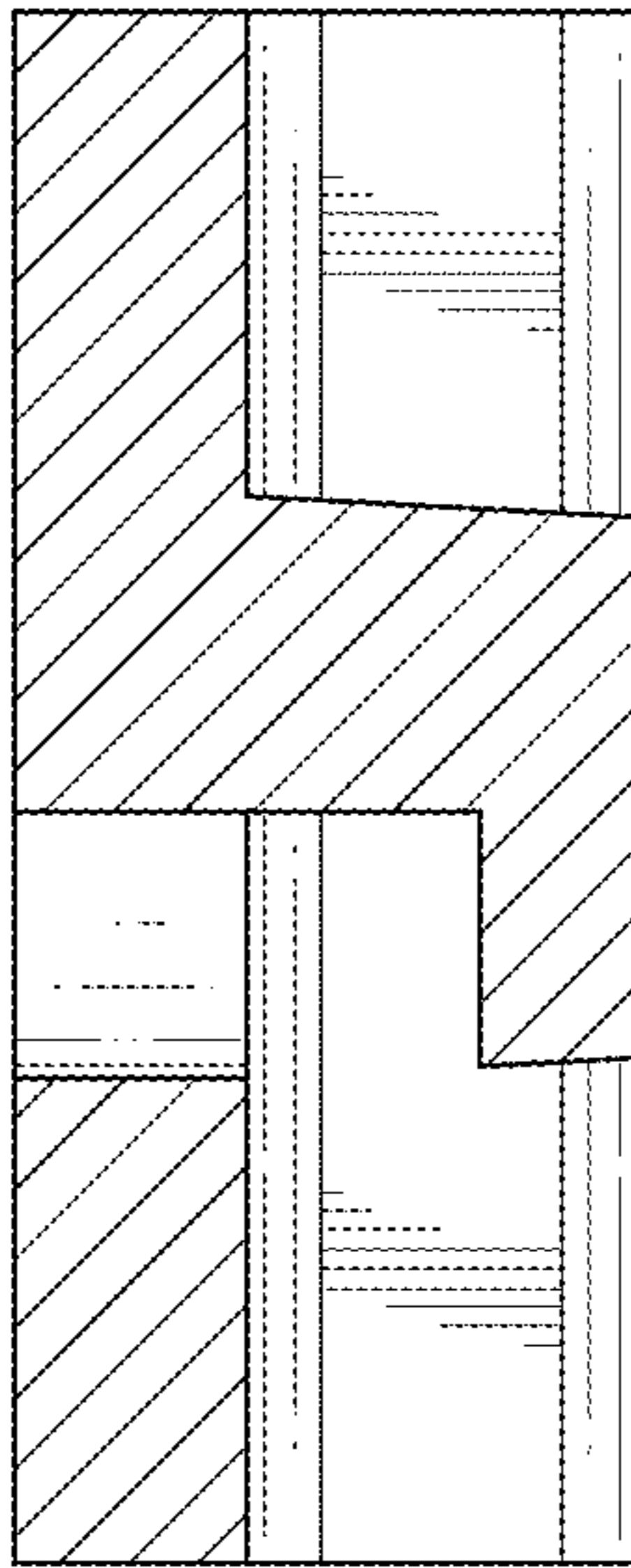


FIG. 11