



US00D829077S

(12) **United States Design Patent**
Krause

(10) **Patent No.:** **US D829,077 S**

(45) **Date of Patent:** **** Sep. 25, 2018**

- (54) **PHOTO FRAME KNOB**
- (71) Applicant: **Mark Allen Krause**, Decatur, GA (US)
- (72) Inventor: **Mark Allen Krause**, Decatur, GA (US)
- (**) Term: **15 Years**
- (21) Appl. No.: **29/605,277**
- (22) Filed: **May 24, 2017**
- (51) **LOC (11) Cl.** **08-06**
- (52) **U.S. Cl.**
USPC **D8/310**
- (58) **Field of Classification Search**
USPC D8/300, 307, 310; D7/393; D23/250,
D23/252, 254
CPC ... Y10T 292/57; Y10T 16/469; Y10T 292/82;
Y10T 74/2084; Y10T 292/85; Y10T
16/458; Y10T 16/506; Y10T 70/5155;
Y10T 16/46; Y10T 16/4559; Y10T
74/20828; Y10T 70/8541; Y10T
74/20612; Y10T 16/459; Y10T 16/487;
Y10T 70/5389; Y10T 16/462; Y10T
16/4636; E05B 1/0007; E05B 3/00; Y10S
16/30; Y10S 292/53; Y10S 292/27
See application file for complete search history.

- (56) **References Cited**
U.S. PATENT DOCUMENTS
159,509 A * 2/1875 Haines E05B 1/0007
16/414
421,670 A * 2/1890 Case E05B 1/0007
29/896.5
1,668,716 A * 5/1928 Herdman E05B 1/0061
150/155
1,958,165 A * 5/1934 Le Compte F16K 31/60
16/425
2,999,523 A * 9/1961 Amdur E05B 1/0061
150/155

- 3,024,555 A * 3/1962 Abeles E05B 1/0007
16/433
- 5,499,427 A * 3/1996 Bowman A47B 95/02
16/417
- D380,134 S * 6/1997 Caugh D8/305
- D543,087 S * 5/2007 Soriano D8/310
- D584,127 S * 1/2009 Matijevic D8/305
- D660,679 S * 5/2012 Han D8/310
- D679,982 S * 4/2013 Ramsland D8/307
- 8,495,798 B1 * 7/2013 Parker E05B 1/0007
16/414
- D772,686 S * 11/2016 Zimmer D8/310
- D772,688 S * 11/2016 Zimmer D8/310
- 2004/0078933 A1 * 4/2004 Forrest A47B 95/02
16/417

* cited by examiner

Primary Examiner — Lauren R Calve
(74) *Attorney, Agent, or Firm* — Quickpatents, LLC;
Kevin Prince

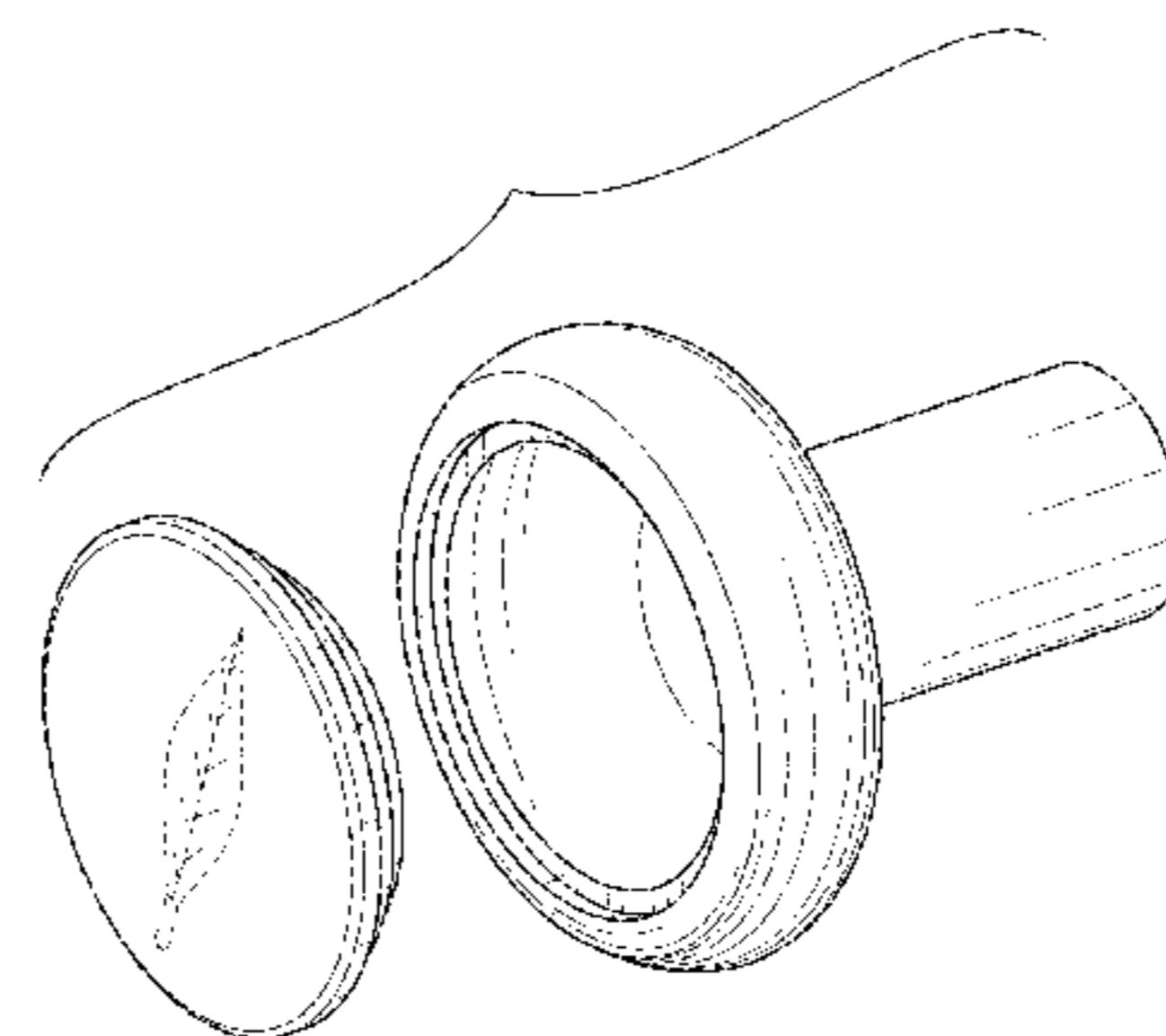
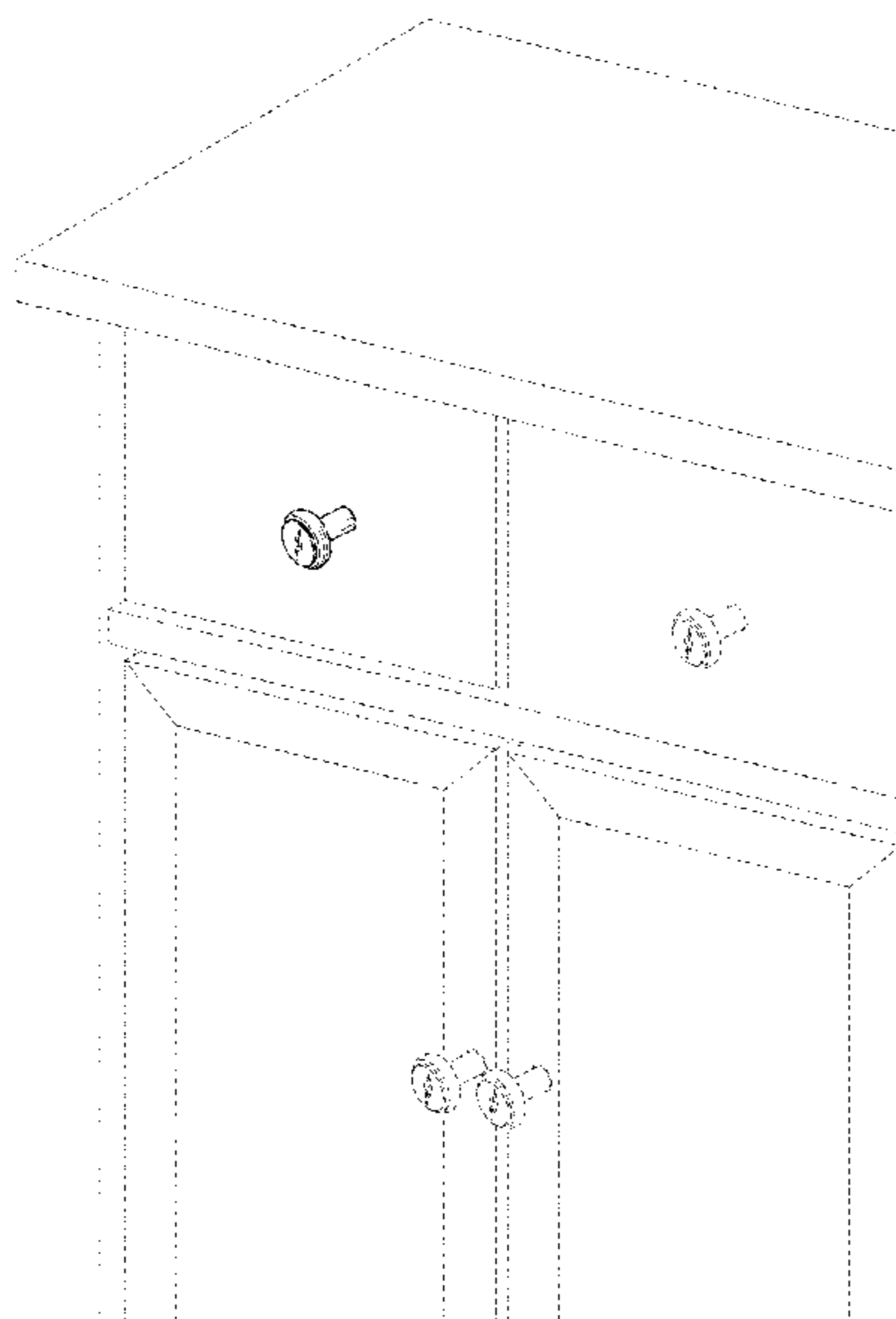
(57) **CLAIM**

I claim the ornamental design for a photo frame knob, as shown and described.

DESCRIPTION

FIG. 1 is a perspective view of a photo frame knob, showing my new design;
FIG. 2 is an exploded perspective view thereof;
FIG. 3 is an exploded front elevational view thereof;
FIG. 4 is an exploded rear elevational view thereof; and,
FIG. 5 is an exploded right-side elevational view thereof, the left-side elevational view being a mirror image thereof.
The broken lines showing a cabinet in FIG. 1 depict environmental matter and form no part of the claimed design.
The broken lines showing a leaf photo in FIGS. 1-3, and a circular element in FIG. 4, depict portions of the photo frame knob that form no part of the claimed design.

1 Claim, 4 Drawing Sheets



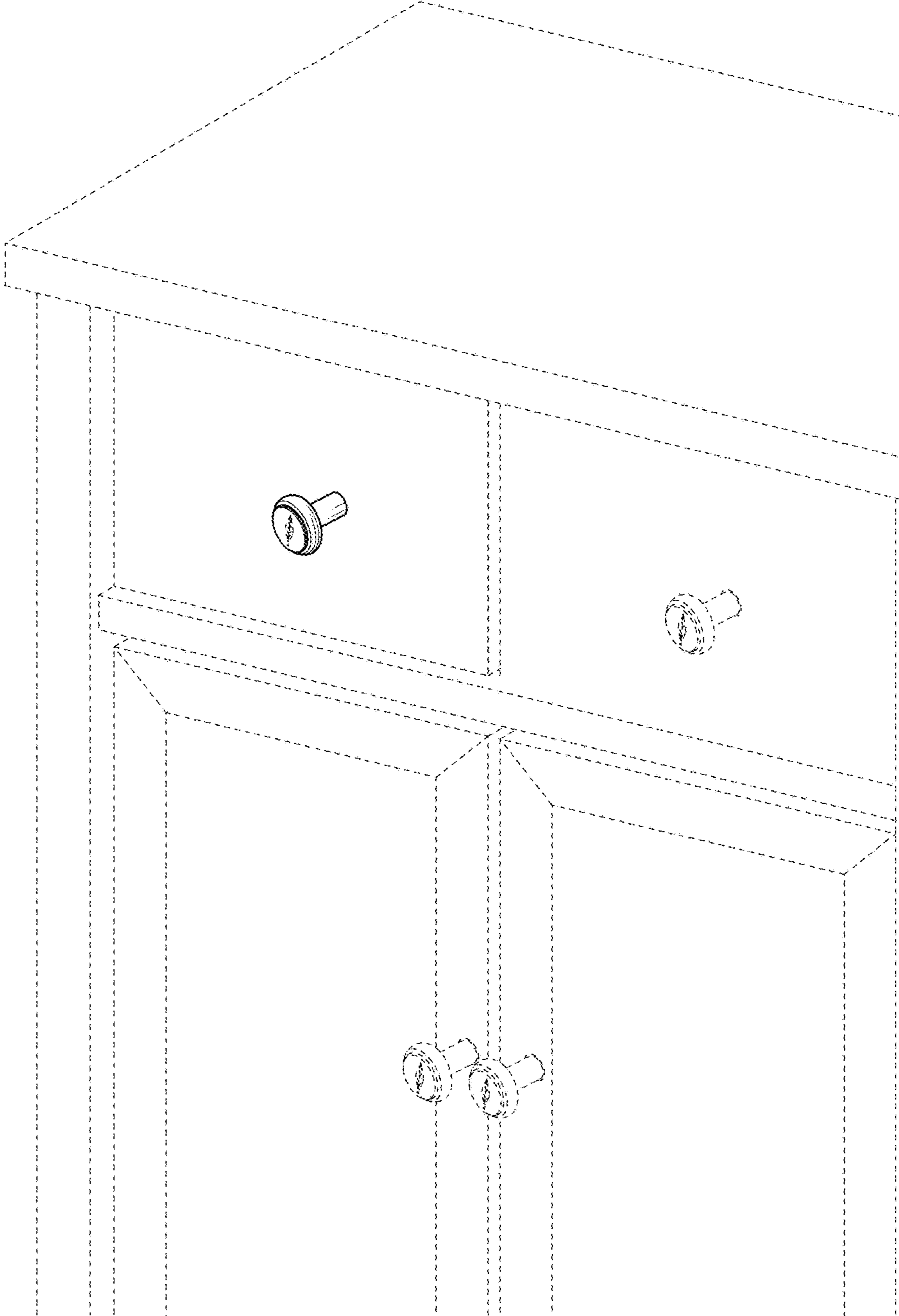


FIG. 1

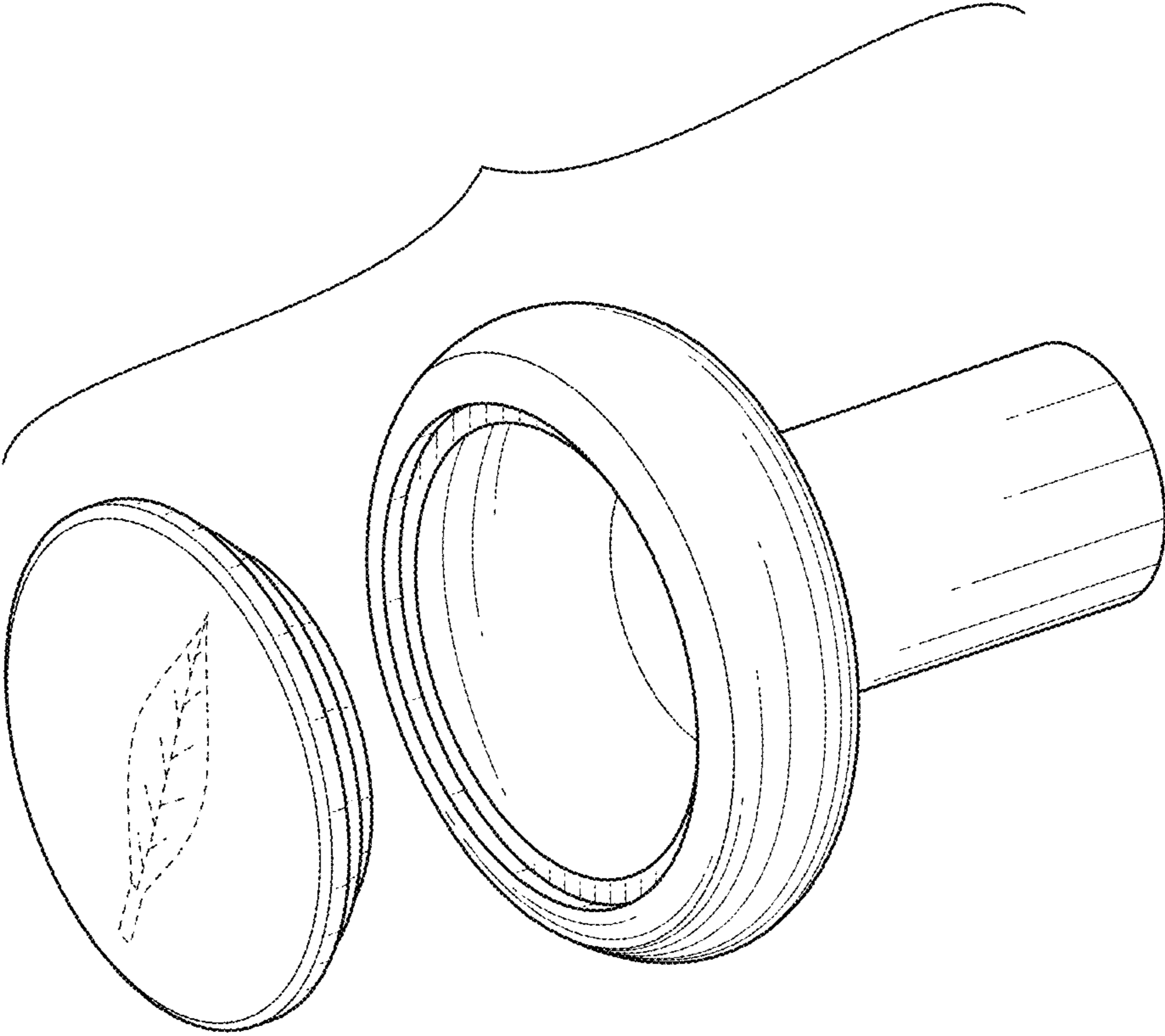


FIG. 2

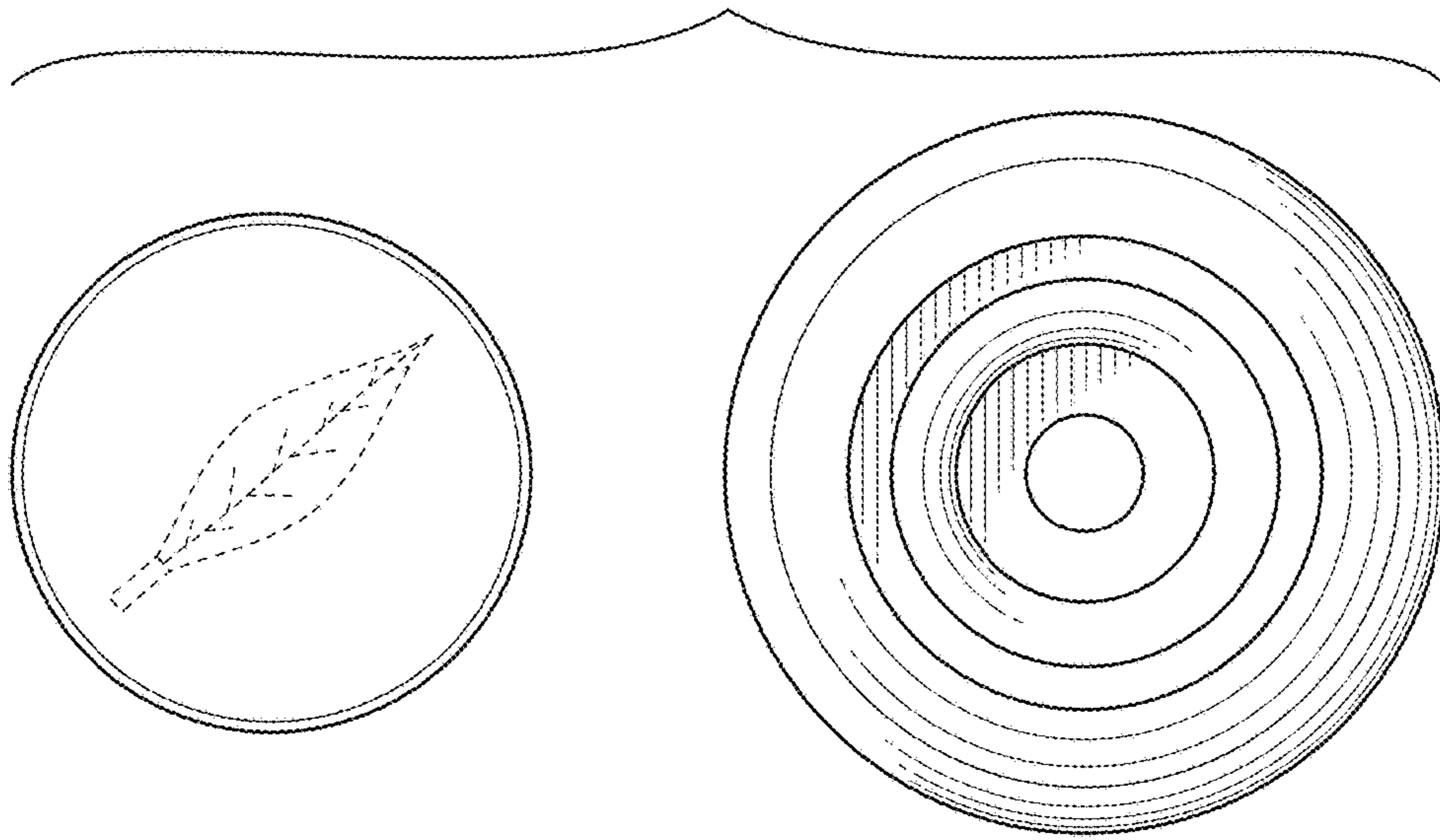


FIG. 3

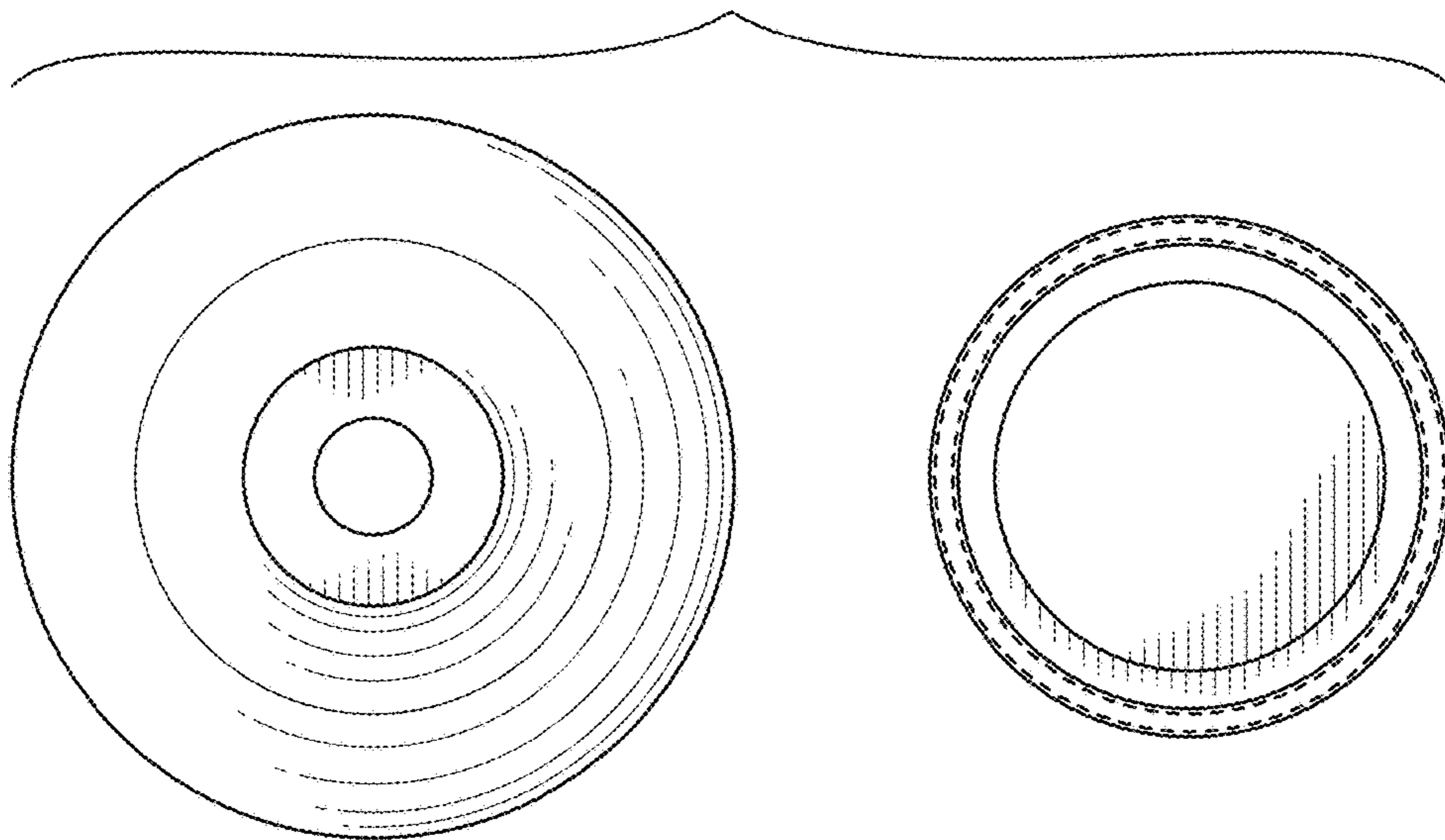


FIG. 4

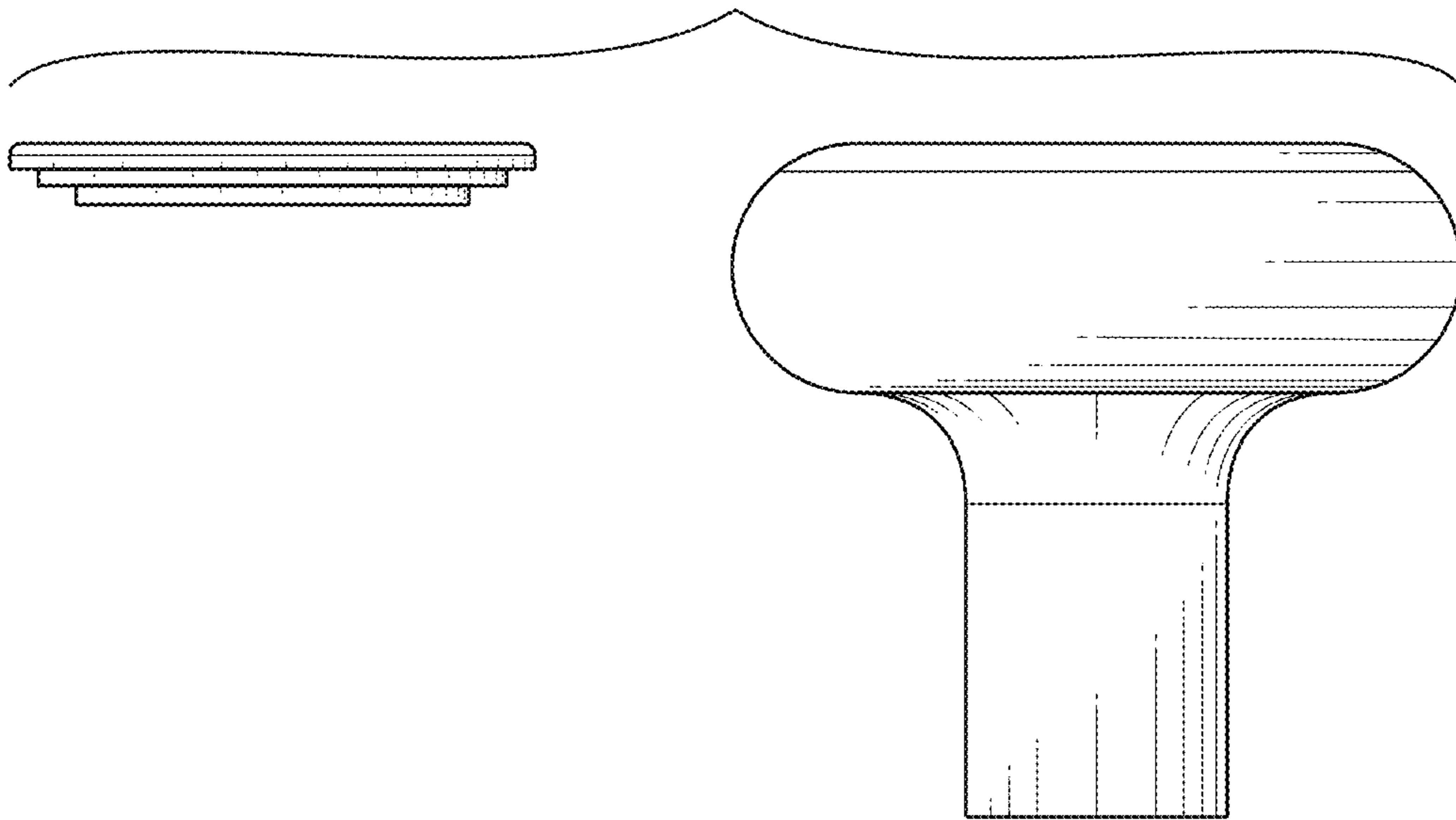


FIG. 5