



US00D829076S

(12) **United States Design Patent** (10) **Patent No.:** **US D829,076 S**
Dulley et al. (45) **Date of Patent:** **** Sep. 25, 2018**

(54) **KNOB FOR FURNITURE**

(71) Applicant: **Buster and Punch Limited**, London (GB)
(72) Inventors: **Iain Donald Dulley**, Winchester (GB); **Christopher Arthur Cooper**, London (GB); **Massimo Buster Minale**, London (GB)
(73) Assignee: **Buster and Punch Limited**, London (GB)

(**) Term: **15 Years**

(21) Appl. No.: **29/583,171**

(22) Filed: **Nov. 2, 2016**

(30) **Foreign Application Priority Data**

May 12, 2016 (EM) 003124122-0001
May 12, 2016 (EM) 003124122-0002
May 12, 2016 (EM) 003124122-0003
May 12, 2016 (EM) 003124122-0004

(51) **LOC (11) Cl.** **06-08**

(52) **U.S. Cl.**
USPC **D8/310**

(58) **Field of Classification Search**
USPC D8/107, 300, 301, 307, 310, 311, 312; D23/250, 421
CPC ... Y10T 292/57; Y10T 292/82; Y10T 16/469; Y10T 16/44; Y10T 16/476; Y10T 74/2084; Y10T 292/85; Y10T 74/2087; Y10T 16/4713; Y10T 16/506; Y10T 74/20876; Y10T 74/20612; Y10T 70/5765; Y10T 16/459; Y10T 74/2066; Y10T 16/487; Y10T 74/20822

See application file for complete search history.

(56) **References Cited**

U.S. PATENT DOCUMENTS

4,087,187 A * 5/1978 Asaro F16B 7/1427 403/104
4,373,405 A * 2/1983 Geil G05G 1/08 188/67
D291,053 S * 7/1987 Decursu D8/310
D398,214 S * 9/1998 Yui D8/312
D405,743 S * 2/1999 Hussaini D12/607
D445,735 S * 7/2001 Sheu D12/607
D475,270 S * 6/2003 Loyd D8/312
D489,602 S * 5/2004 Menta D8/387
D500,241 S * 12/2004 Choi D8/310
D511,290 S * 11/2005 Coudurier D8/310
D513,237 S * 12/2005 Langner D13/174
D514,420 S * 2/2006 Xu D8/107

(Continued)

Primary Examiner — Lauren R Calve

(74) *Attorney, Agent, or Firm* — Dascenzo Intellectual Property Law, P.C.; David S. D'Ascenzo

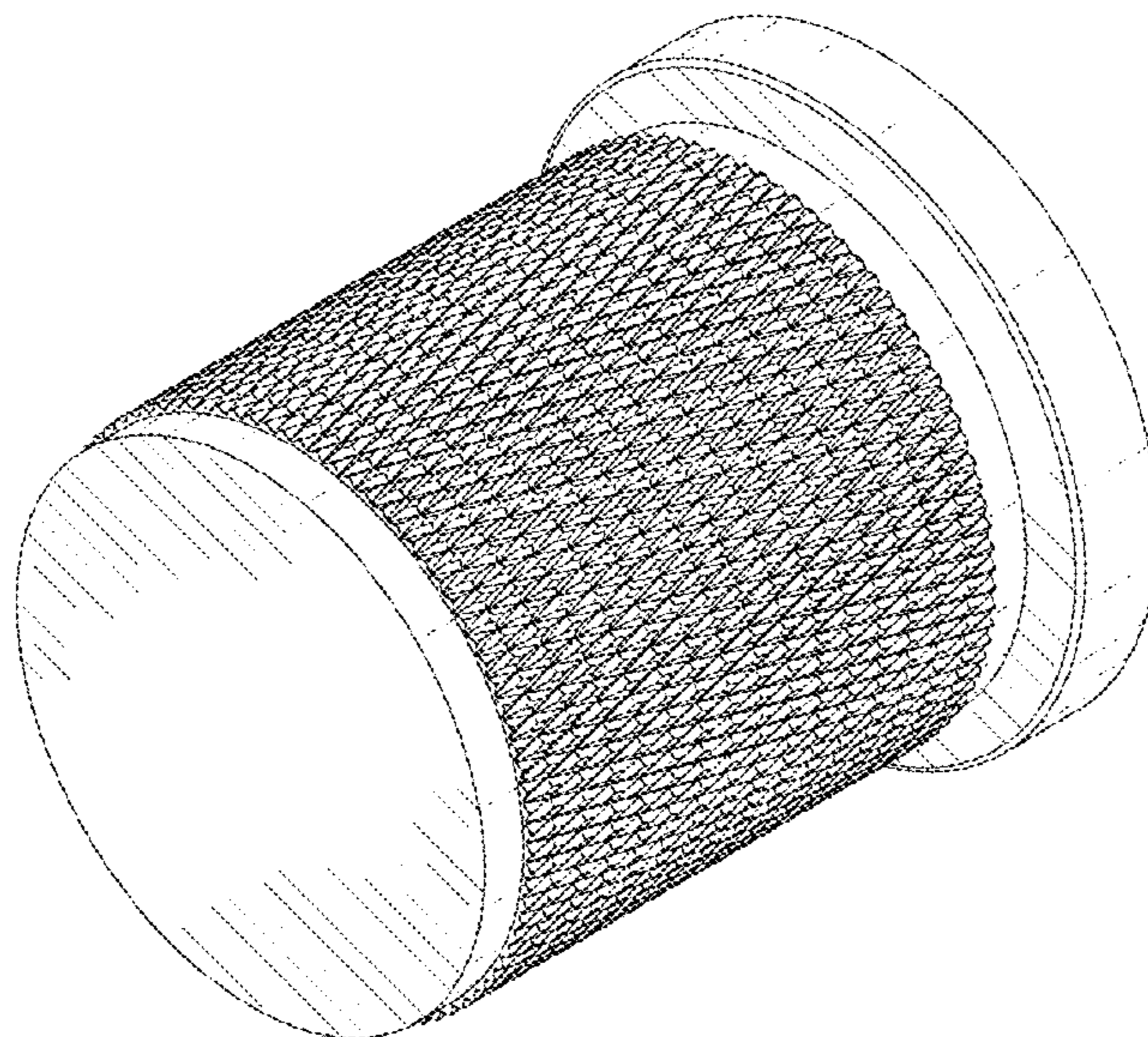
(57) **CLAIM**

The ornamental design for a knob for furniture, as shown and described.

DESCRIPTION

FIG. 1 is an isometric view of a knob for furniture showing a design according to the present disclosure.
FIG. 2 is an end view of the knob for furniture.
FIG. 3 is a side view of the knob for furniture, the opposing side view being a mirror image thereof.
FIG. 4 is another side view of the knob for furniture; and, FIG. 5 is an opposite side view of FIG. 4.
The shade lines shown in the drawings represent contour shading and not surface ornamentation.
The opposite end view not shown forms no part of the claimed design.

1 Claim, 5 Drawing Sheets



(56)

References Cited

U.S. PATENT DOCUMENTS

D569,219	S	*	5/2008	Sjogren	D8/310
D758,825	S	*	6/2016	Nesbitt	D8/310
D781,126	S	*	3/2017	Pionek	D8/310
D794,884	S	*	8/2017	Ayers	D32/28
D801,289	S	*	10/2017	Minale	D13/169
2004/0245080	A1	*	12/2004	Turner	G10H 3/182 200/329
2015/0331441	A1	*	11/2015	Ho	H05K 5/0239 361/752

* cited by examiner

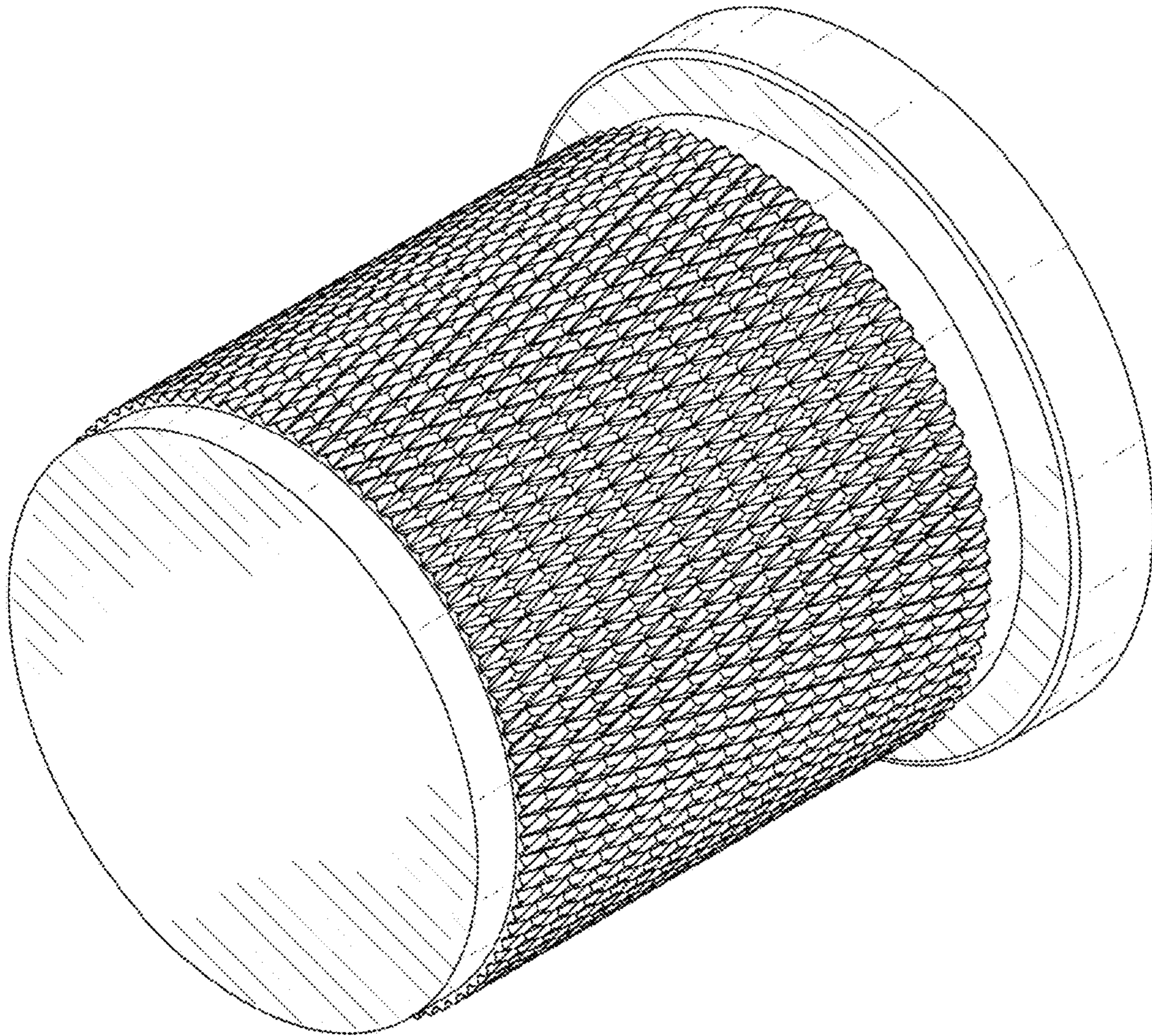


Fig. 1

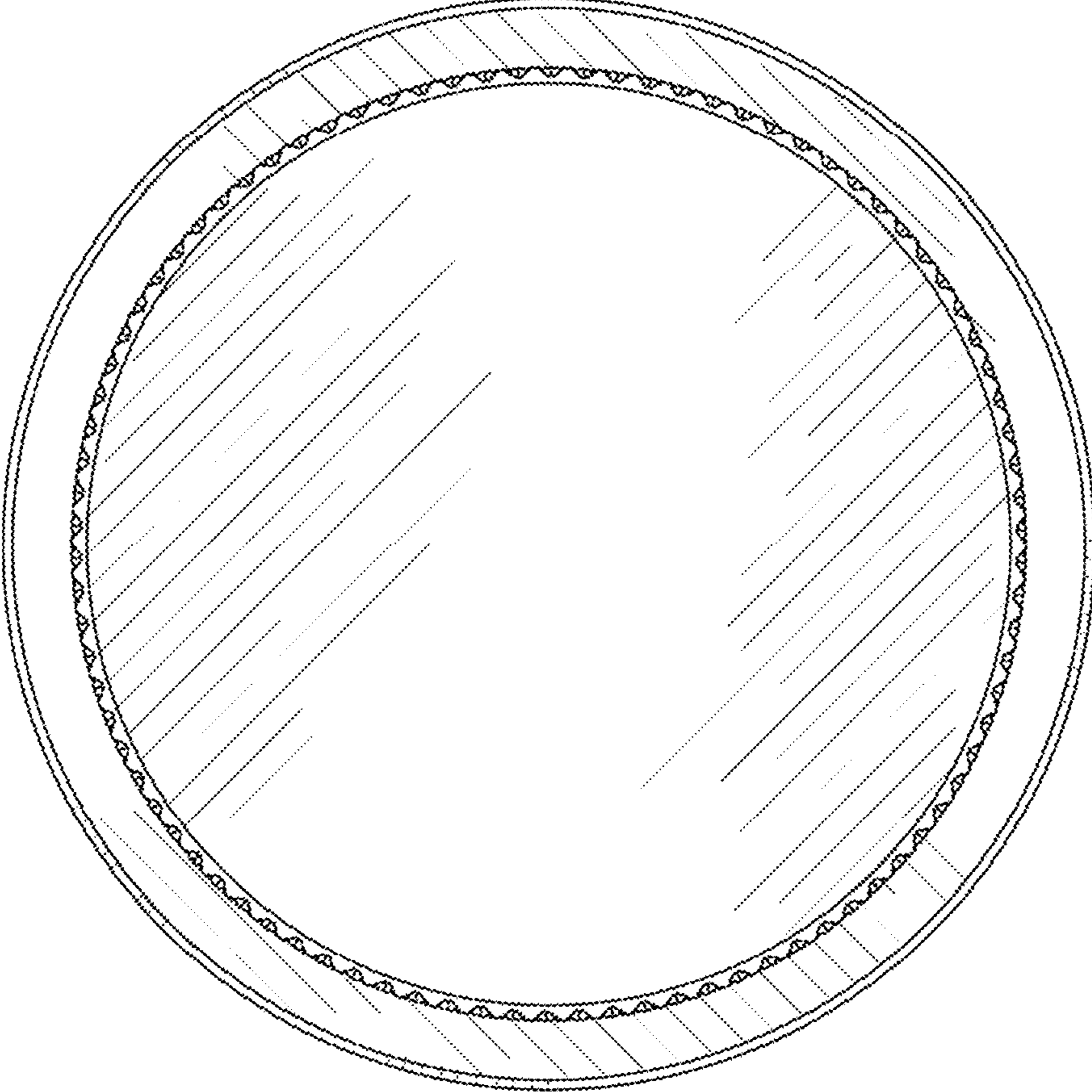


Fig. 2

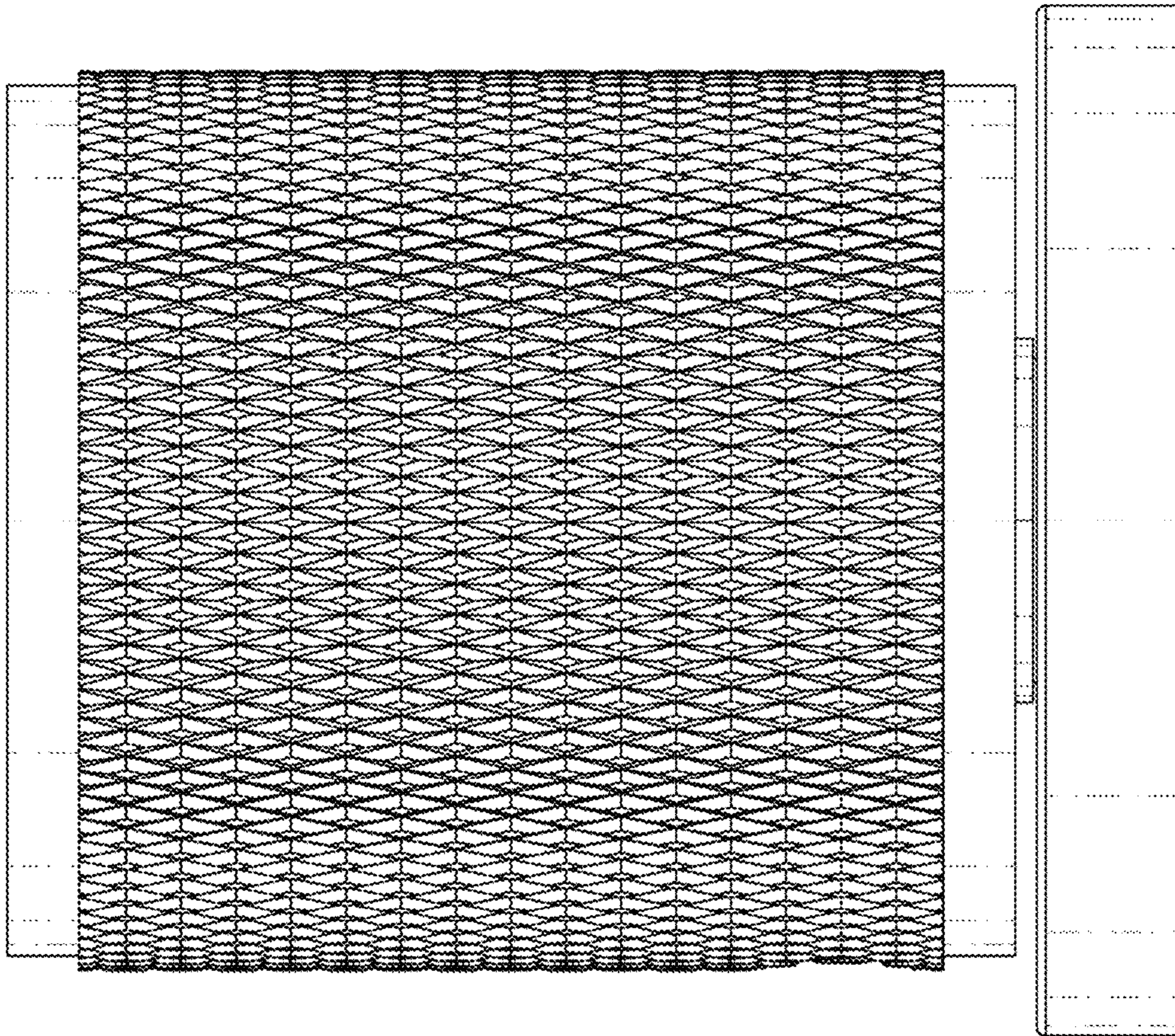


Fig. 3

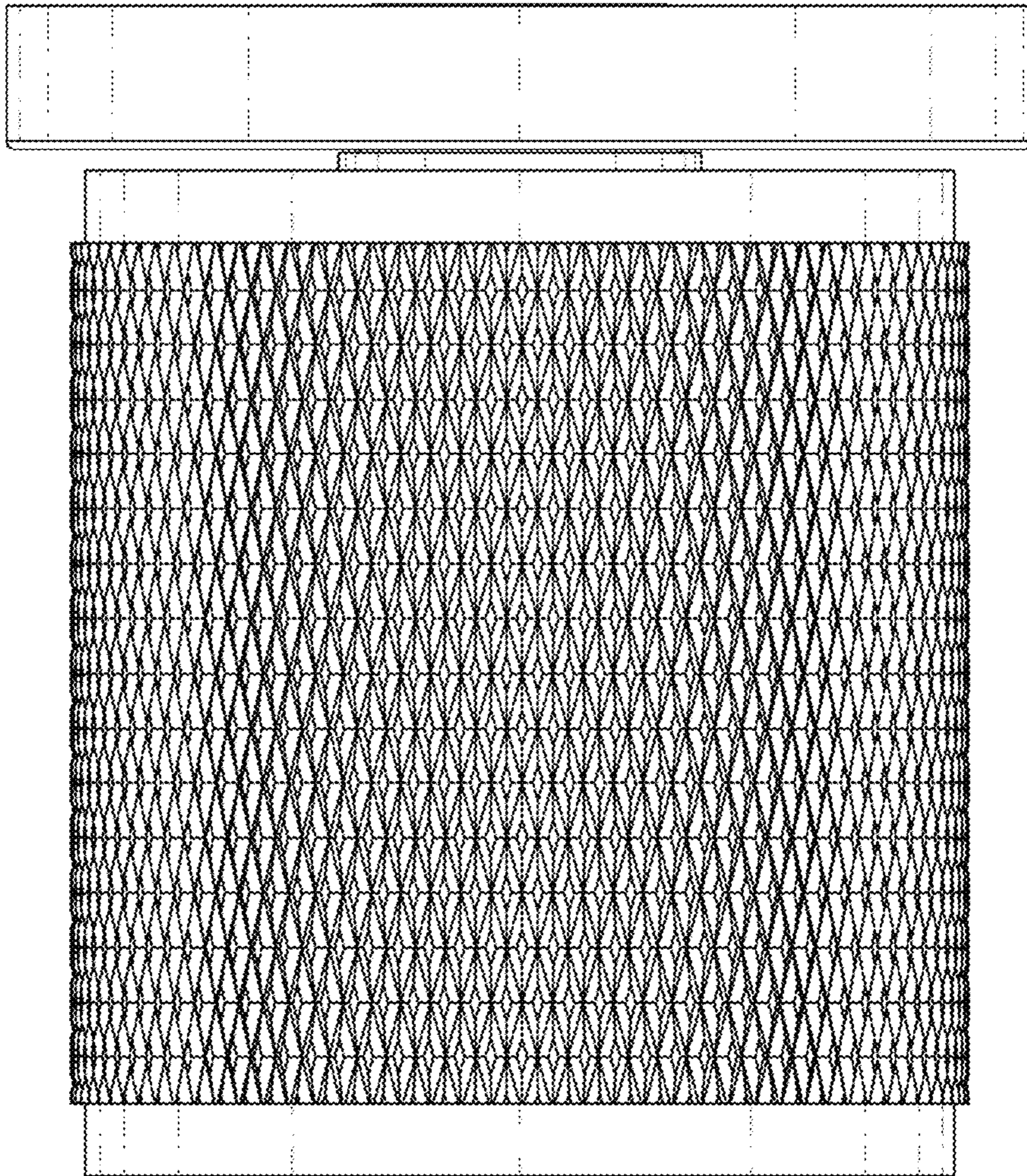


Fig. 4

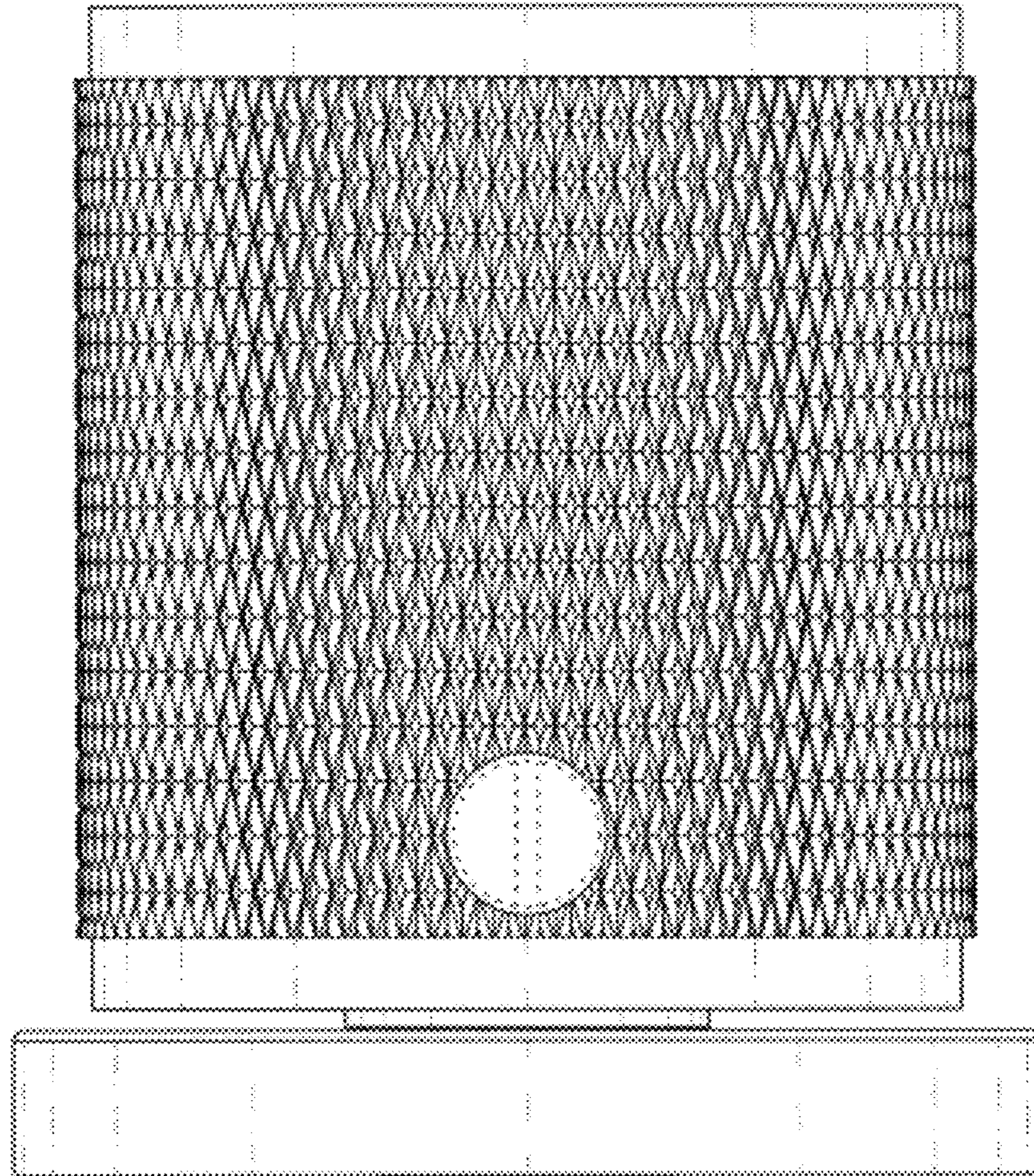


Fig. 5