



US00D829075S

(12) **United States Design Patent**  
**Hsu**

(10) **Patent No.:** **US D829,075 S**  
(45) **Date of Patent:** **\*\* Sep. 25, 2018**

- (54) **TOOL BIT**
- (71) Applicant: **Shao-Hsien Hsu**, Taichung (TW)
- (72) Inventor: **Shao-Hsien Hsu**, Taichung (TW)
- (\*\*) Term: **15 Years**
- (21) Appl. No.: **29/601,743**
- (22) Filed: **Apr. 26, 2017**
- (51) **LOC (11) Cl.** ..... **08-04**
- (52) **U.S. Cl.**  
USPC ..... **D8/86**
- (58) **Field of Classification Search**  
USPC ..... D8/14, 70, 82, 86, 382, 387, 83, 107;  
D15/139  
CPC ..... B25B 23/0035; B25B 23/0042; B25B  
15/001; B25B 15/003; B25B 15/005;  
B25B 15/002; B25B 15/008; B25B  
15/004; B25B 15/02; B25B 15/04; B25B  
17/00; B25B 27/18  
See application file for complete search history.

D658,465 S *	5/2012	Hsu	.....	D8/86
D752,408 S *	3/2016	Moss	.....	D8/86
2005/0076749 A1 *	4/2005	Liu	.....	B25B 15/002 81/436
2011/0197721 A1 *	8/2011	DeBaker	.....	B25B 15/002 81/436

\* cited by examiner

*Primary Examiner* — Philip S Hyder

(57) **CLAIM**

The ornamental design for a tool bit, as shown and described.

**DESCRIPTION**

FIG. 1 is a front-right-top perspective view of the tool bit showing my new design;  
 FIG. 2 is a front elevational view thereof;  
 FIG. 3 is a rear front elevational view thereof;  
 FIG. 4 is a left side elevational view thereof;  
 FIG. 5 is a right side elevational view thereof;  
 FIG. 6 is a top plan view thereof;  
 FIG. 7 is a bottom plan view thereof;  
 FIG. 8 is a view showing the application thereof; and,  
 FIG. 9 is an enlarged partial view taken from portion 9 in FIG. 1.

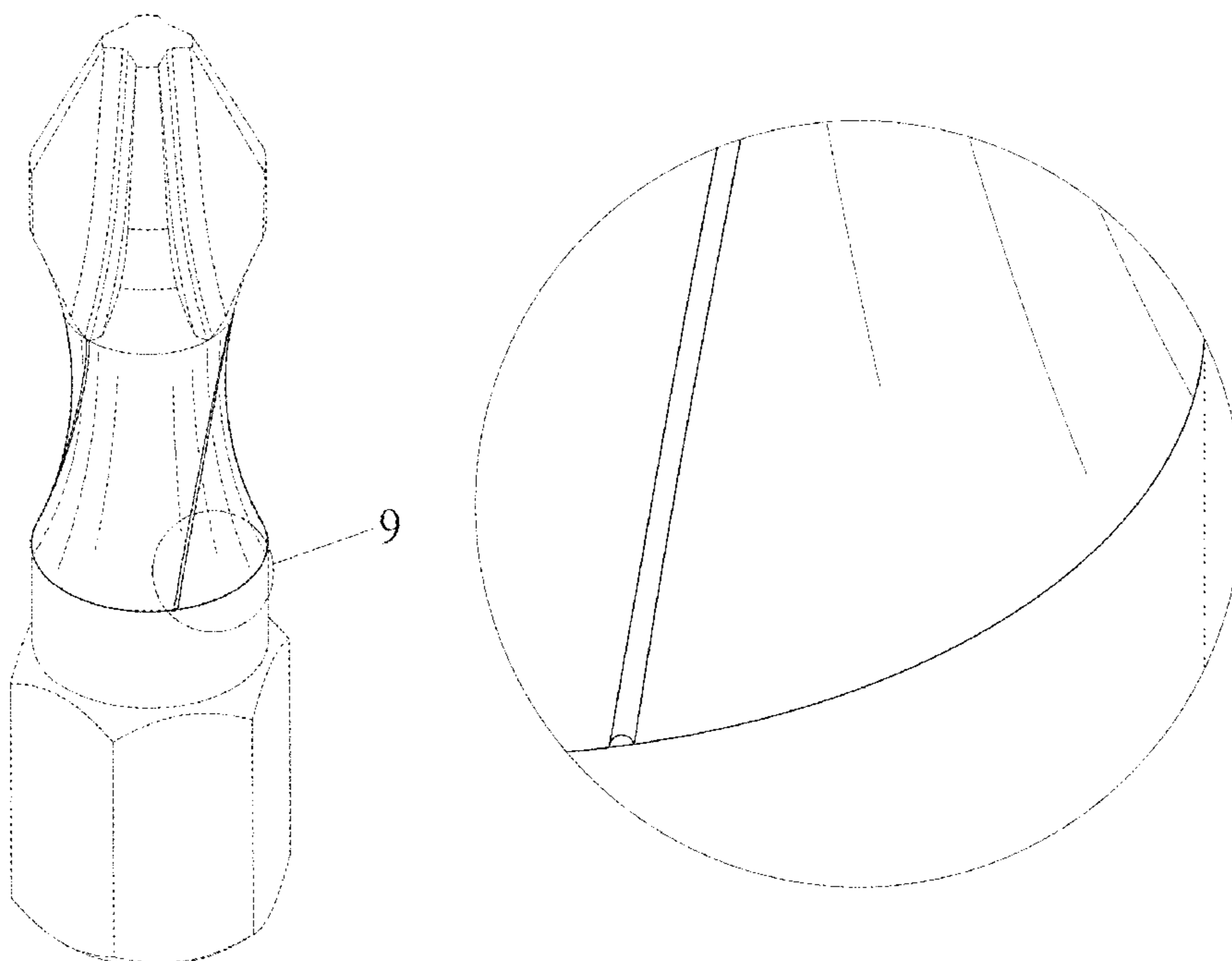
The broken lines depict portions of the tool bit in which the design is embodied that are not considered part of the claimed design.

**1 Claim, 8 Drawing Sheets**

(56) **References Cited**

**U.S. PATENT DOCUMENTS**

D623,036 S *	9/2010	DeBaker	.....	D8/86
D624,383 S *	9/2010	Hsu	.....	D8/86
D627,205 S *	11/2010	Hsu	.....	D8/86
D631,723 S *	2/2011	DeBaker	.....	D8/86
D646,138 S *	10/2011	Hsu	.....	D8/86
D646,547 S *	10/2011	DeBaker	.....	B25B 15/002 D8/86
D653,517 S *	2/2012	Lucio	.....	D8/86



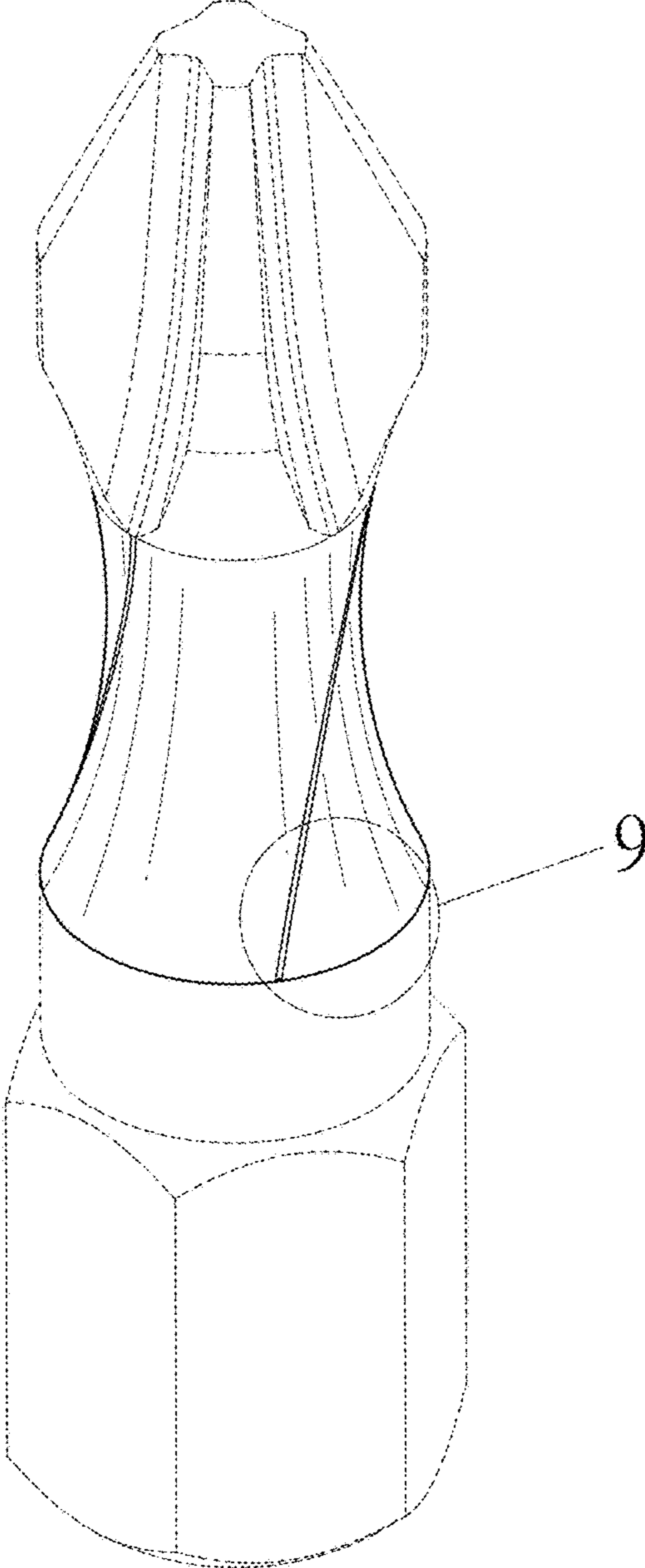


FIG.1

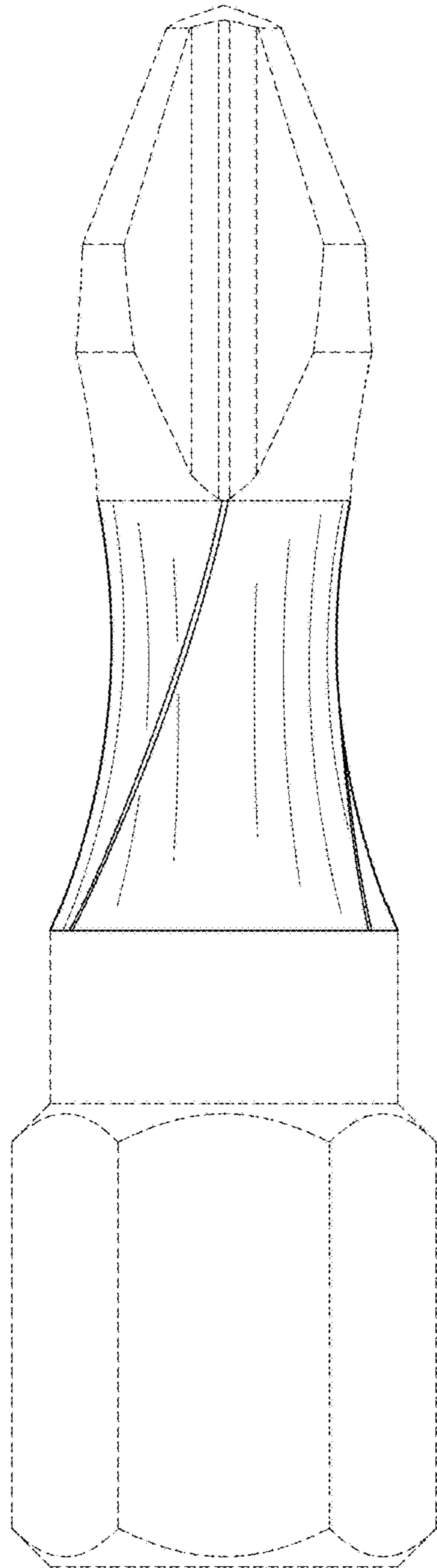


FIG.2

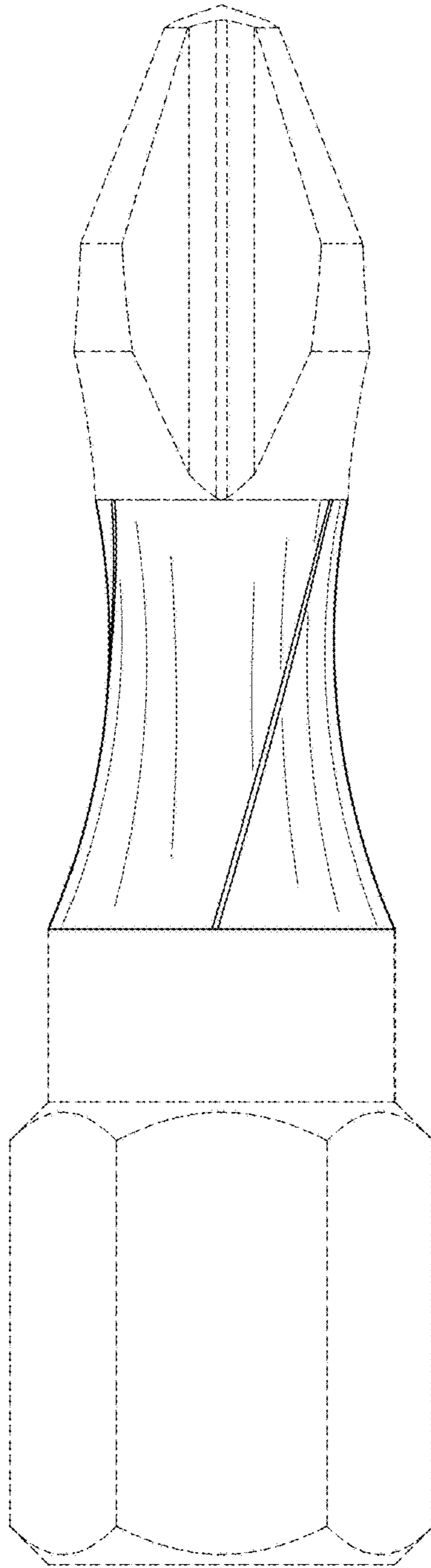


FIG.3

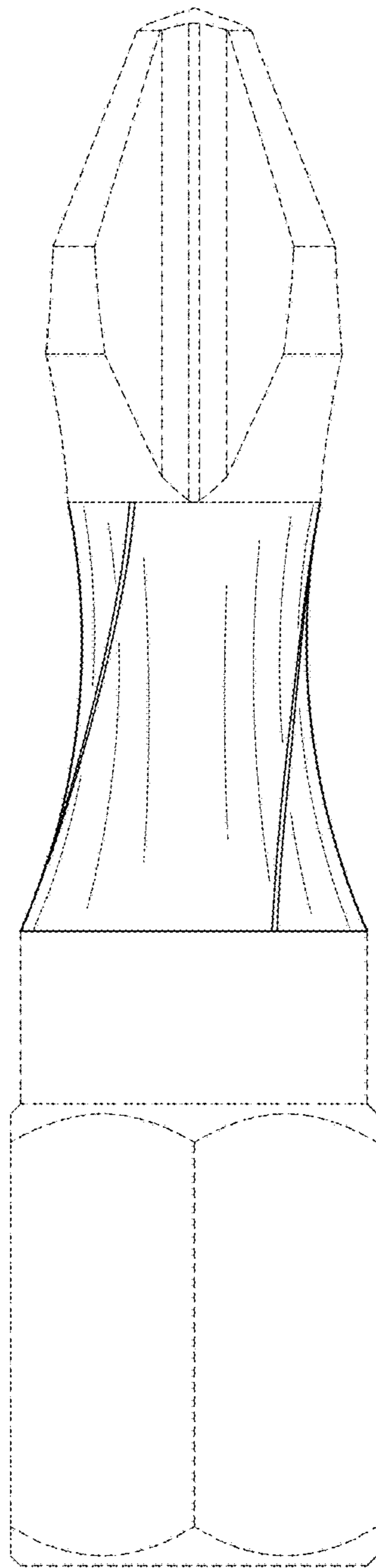


FIG.4

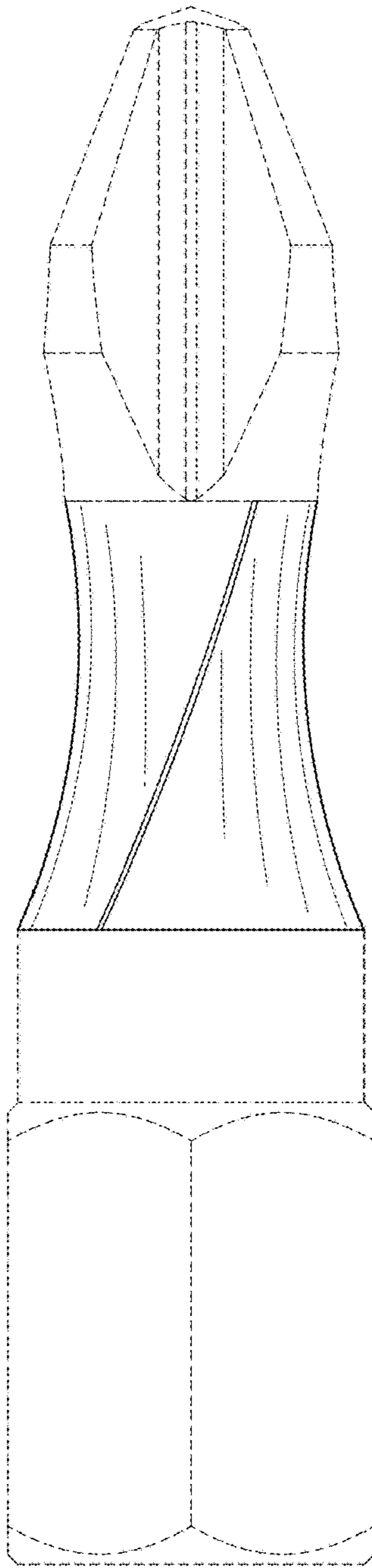


FIG.5

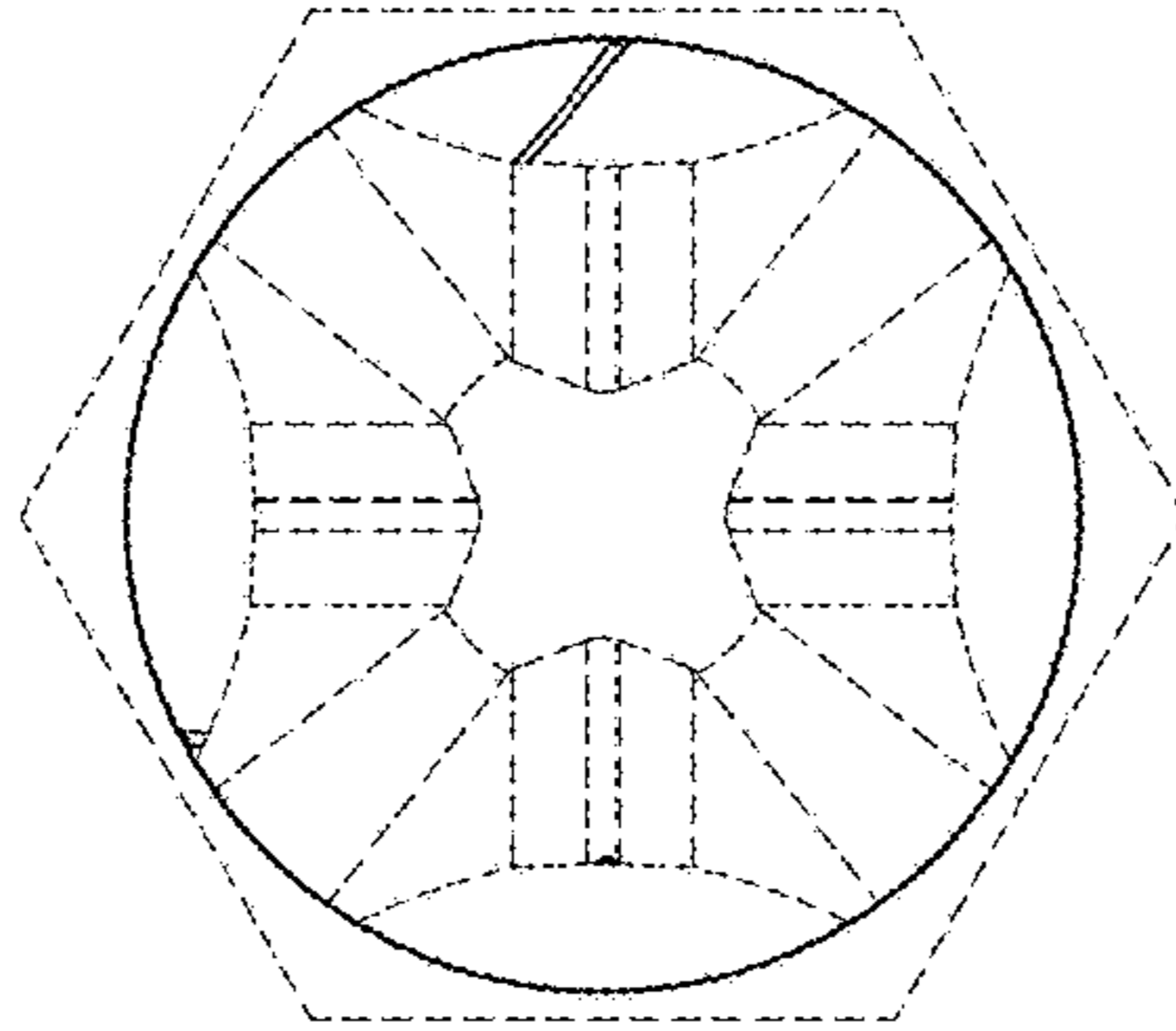


FIG. 6

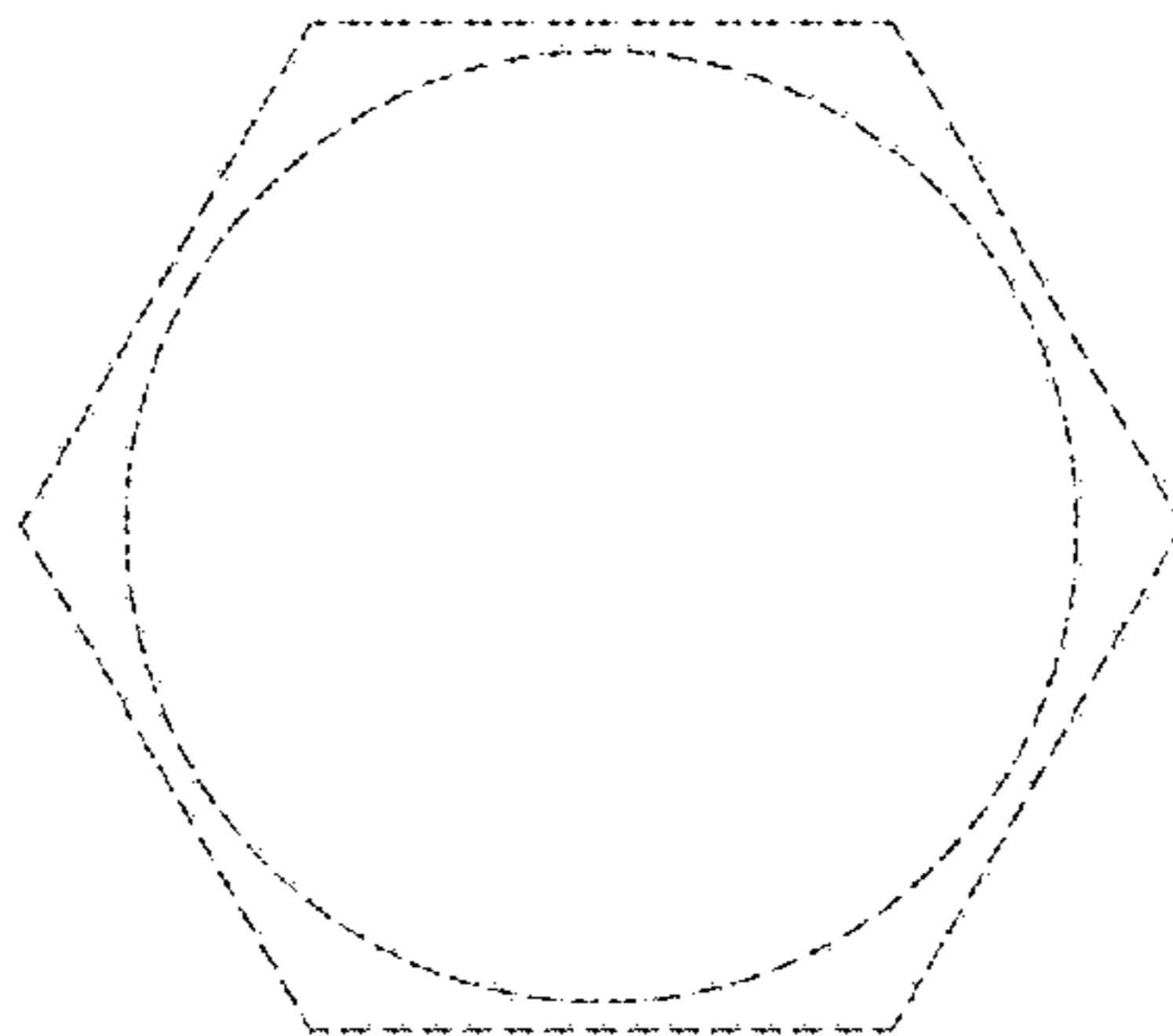


FIG. 7

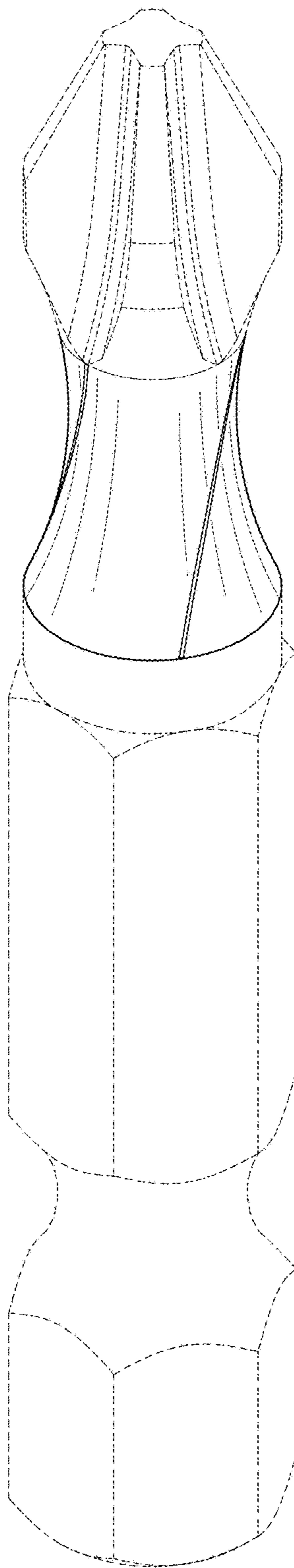


FIG.8



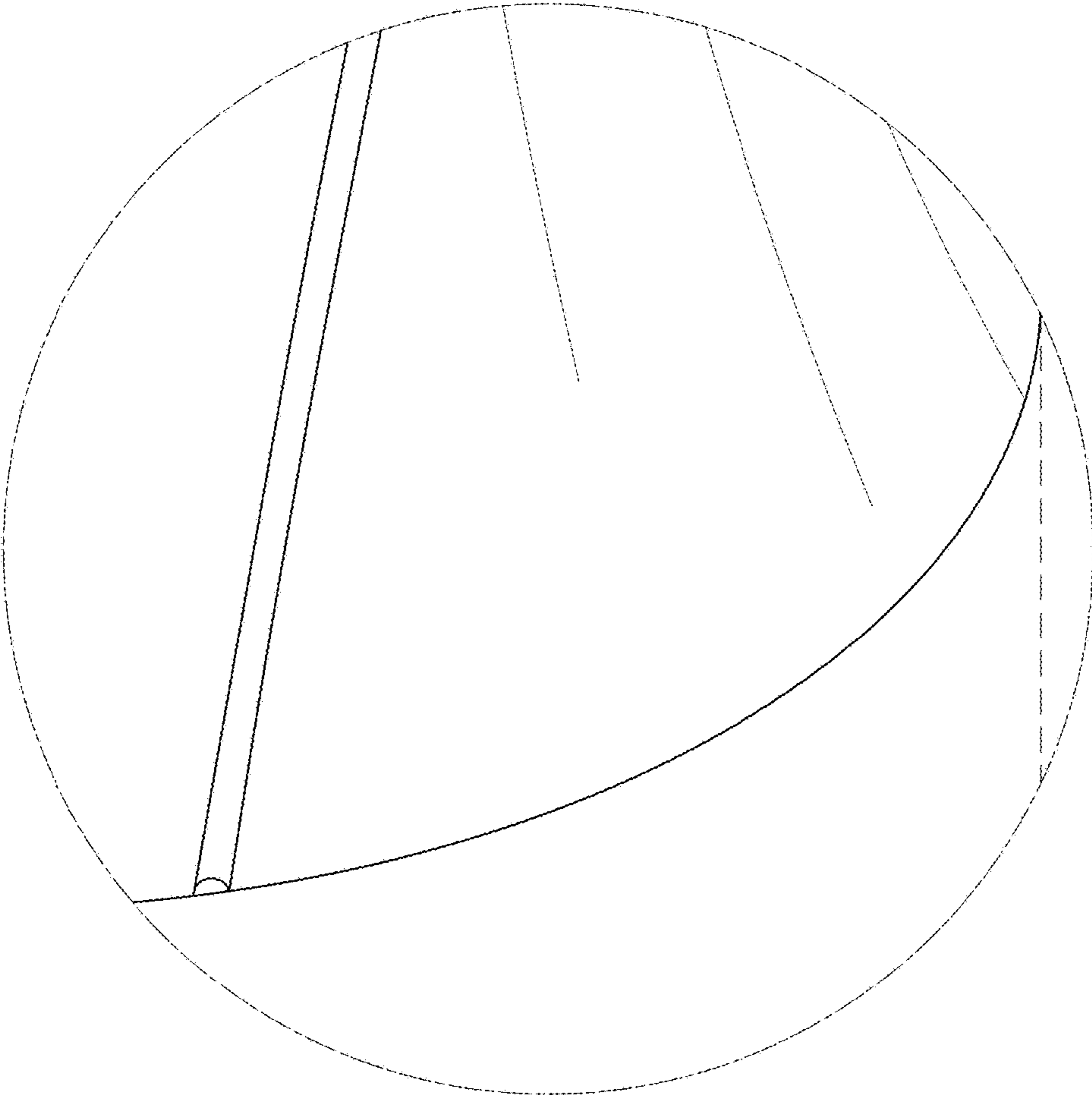


FIG.9