



US00D829074S

(12) **United States Design Patent** (10) **Patent No.:** **US D829,074 S**  
**West** (45) **Date of Patent:** **\*\* Sep. 25, 2018**

(54) **HAMMER**  
(71) Applicant: **Estwing Manufacturing Company, Inc.**, Rockford, IL (US)

2,874,738 A 2/1959 Lay  
2,952,284 A 9/1960 Nichols et al.  
2,960,133 A 11/1960 Sheperd, Jr.  
(Continued)

(72) Inventor: **Joshua D. West**, Rockford, IL (US)

**FOREIGN PATENT DOCUMENTS**

(73) Assignee: **Estwing Manufacturing Company, Inc.**, Rockford, IL (US)

CN 202922543 U 5/2013  
DE 8625497 U1 11/1986  
(Continued)

(\*\*) Term: **15 Years**

**OTHER PUBLICATIONS**

(21) Appl. No.: **29/578,453**

International Search Report and Written Opinion issued in PCT application No. PCT/US2014/072969, dated Apr. 28, 2015, 11 pages.

(22) Filed: **Sep. 21, 2016**

(51) **LOC (11) Cl.** ..... **08-02**

(Continued)

(52) **U.S. Cl.**

USPC ..... **D8/79**

(58) **Field of Classification Search**

USPC .... D8/75, 76, 77, 78, 79, 80, 81, 88, 89, 14  
CPC ... B25D 1/00; B25D 1/02; B25D 1/04; B25D 1/045; B25D 1/06; B25D 1/12; B25G 1/01; B25G 1/02; B25G 1/102

See application file for complete search history.

*Primary Examiner* — Philip S Hyder

(74) *Attorney, Agent, or Firm* — Quarles & Brady LLP

(57) **CLAIM**

The ornamental design for a hammer, as shown and described.

**DESCRIPTION**

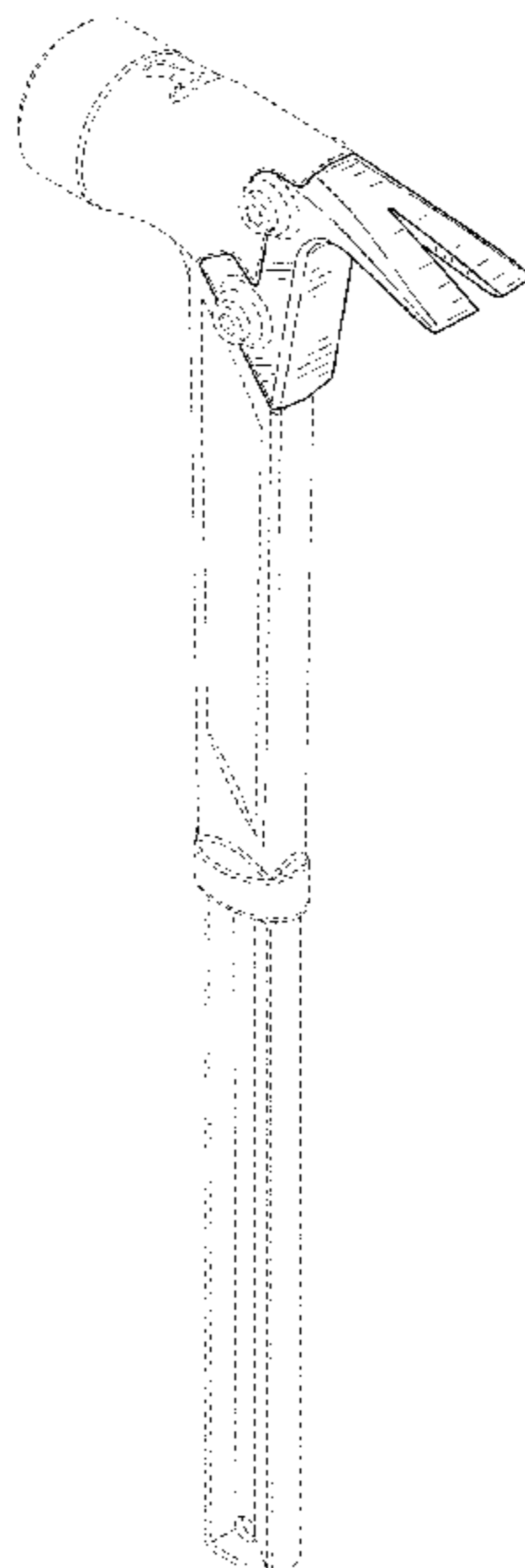
(56) **References Cited**

**U.S. PATENT DOCUMENTS**

121,682 A	12/1871	Stocum
270,883 A	1/1883	Bailey
967,703 A	8/1910	Bagnall
1,045,145 A	11/1912	Hubbard
1,056,920 A	3/1913	Lovering
1,262,515 A	9/1917	Kinglsey
1,424,161 A	8/1922	Foley
1,428,838 A	9/1922	Davis
1,523,781 A	1/1925	Keyes
1,718,161 A	6/1929	Lutch
2,067,751 A	1/1937	Beegle
2,501,440 A	3/1950	Dix
2,765,827 A	9/1953	Hall
2,761,478 A	9/1956	Guida

FIG. 1 is an isometric view of a rear, top, and first side of an ornamental design for a hammer;  
FIG. 2 is an elevational view of the first side of the hammer of FIG. 1;  
FIG. 3 is an elevational view of a second side of the hammer of FIG. 1;  
FIG. 4 is a rear elevational view of the hammer of FIG. 1;  
FIG. 5 is a front elevational view of the hammer of FIG. 1;  
FIG. 6 is a top plan view of the hammer of FIG. 1; and,  
FIG. 7 is a bottom plan view of the hammer of FIG. 1.  
The broken lines depict portions of the hammer in which the design is embodied that are not considered part of the claimed design.

**1 Claim, 5 Drawing Sheets**



(56)

References Cited

U.S. PATENT DOCUMENTS

3,000,414 A 9/1961 Cordis  
 3,067,790 A 12/1962 Tucker  
 3,088,506 A 5/1963 Bianchini  
 3,130,762 A 4/1964 Kerr  
 3,148,716 A 9/1964 Vaughan, Jr.  
 3,229,738 A 1/1966 Bianchini  
 3,303,863 A 2/1967 Tichnell  
 3,322,172 A 5/1967 Small  
 3,456,330 A 7/1969 Norcross  
 3,605,832 A 9/1971 Stephens  
 3,620,159 A 11/1971 Gould  
 3,640,324 A 2/1972 Porter  
 3,721,282 A 3/1973 Hayes et al.  
 3,821,973 A 7/1974 Carmien  
 3,942,567 A 3/1976 Richilano  
 4,039,012 A 8/1977 Cook  
 4,139,930 A 2/1979 Cox  
 4,183,385 A 1/1980 Burkybile  
 4,200,130 A 4/1980 Reamy  
 4,240,478 A 12/1980 Wilson  
 4,308,770 A 1/1982 MacDonald  
 4,373,565 A 2/1983 Soto  
 D271,275 S 11/1983 Richilano  
 4,476,597 A \* 10/1984 Gobbi ..... A63B 29/08  
 30/164.5  
 4,773,286 A 9/1988 Krauth  
 D303,208 S 9/1989 Chung  
 5,027,677 A 7/1991 Rallo  
 5,046,387 A 9/1991 Levake  
 5,142,948 A 9/1992 Liou  
 5,216,939 A 6/1993 Swenson  
 5,280,738 A \* 1/1994 Liou ..... B25D 1/00  
 81/177.8  
 5,768,956 A 6/1998 Coon  
 D408,702 S 4/1999 Hammond  
 D415,003 S 10/1999 Freeman  
 6,016,722 A 1/2000 Gierer et al.  
 6,176,156 B1 1/2001 Coonrad  
 6,227,075 B1 5/2001 Carmien  
 6,282,988 B1 9/2001 Erickson  
 6,332,376 B1 12/2001 Hurley  
 6,435,059 B1 8/2002 Martinez  
 6,457,384 B1 10/2002 Cox et al.  
 6,463,832 B1 10/2002 Cox  
 6,477,922 B1 11/2002 Burnett  
 6,536,308 B1 3/2003 Thorne et al.  
 6,629,684 B2 10/2003 Youngren et al.  
 6,655,236 B1 12/2003 Slack et al.  
 6,805,206 B2 10/2004 Hanke  
 D519,348 S \* 4/2006 Chen ..... D8/75  
 D521,342 S \* 5/2006 Youngren ..... D8/75  
 7,107,874 B1 9/2006 Chen  
 7,143,667 B2 12/2006 Deros et al.  
 7,168,338 B2 1/2007 Hopper, Jr. et al.  
 D549,064 S 8/2007 Youngren  
 D549,066 S 8/2007 Youngren

7,350,440 B2 4/2008 Casalco  
 7,467,572 B2 12/2008 Fisher et al.  
 7,628,382 B2 \* 12/2009 Cole ..... B25C 11/00  
 254/131  
 7,665,390 B2 2/2010 Hoffman  
 8,024,994 B2 9/2011 St. John et al.  
 8,047,099 B2 11/2011 St. John et al.  
 8,104,379 B2 1/2012 Hanlon  
 D653,925 S \* 2/2012 Hung ..... D8/78  
 8,117,702 B2 2/2012 Woolley et al.  
 8,141,458 B1 3/2012 Spencer et al.  
 8,201,806 B2 \* 6/2012 Liou ..... B25D 1/00  
 254/26 R  
 8,261,634 B2 9/2012 St. John et al.  
 D672,218 S 12/2012 Youngren  
 D683,608 S 6/2013 Trice  
 8,458,838 B2 6/2013 Trice  
 8,534,643 B2 9/2013 Lombardi et al.  
 8,585,016 B2 11/2013 Woolley et al.  
 8,661,592 B2 3/2014 Trice  
 D716,628 S 11/2014 West  
 9,044,846 B1 6/2015 Dawson et al.  
 9,193,059 B2 11/2015 Lombardi et al.  
 D769,099 S \* 10/2016 Trice ..... D8/78  
 9,505,117 B2 \* 11/2016 Chen ..... B25D 1/045  
 2002/0112571 A1 8/2002 Pimentel  
 2002/0112572 A1 8/2002 Pimentel  
 2003/0037641 A1 2/2003 Coonrad  
 2004/0159489 A1 4/2004 Toda  
 2004/0244117 A1 \* 12/2004 Huang ..... A01B 1/227  
 7/114  
 2006/0021473 A1 2/2006 Deros  
 2011/0314970 A1 12/2011 Chen  
 2012/0112144 A1 5/2012 Hanlon  
 2013/0126807 A1 5/2013 Lombardi et al.  
 2014/0103276 A1 4/2014 Fegan  
 2014/0165787 A1 6/2014 Lombardi  
 2014/0259695 A1 9/2014 Guynn et al.  
 2015/0251302 A1 9/2015 Flosi et al.  
 2015/0251303 A1 9/2015 Flosi  
 2016/0039078 A1 2/2016 West

FOREIGN PATENT DOCUMENTS

FR 1573992 A 7/1969  
 FR 2523020 A2 9/1983  
 GB 1316135 A 5/1973  
 JP 3151153 U 6/2009  
 WO 2015134106 A1 9/2015  
 WO 2015134107 A1 9/2015  
 WO 2016022594 A1 2/2016

OTHER PUBLICATIONS

International Search Report and Written Opinion issued in PCT application No. PCT/US2014/072951, dated Apr. 27, 2015, 9 pages.

\* cited by examiner

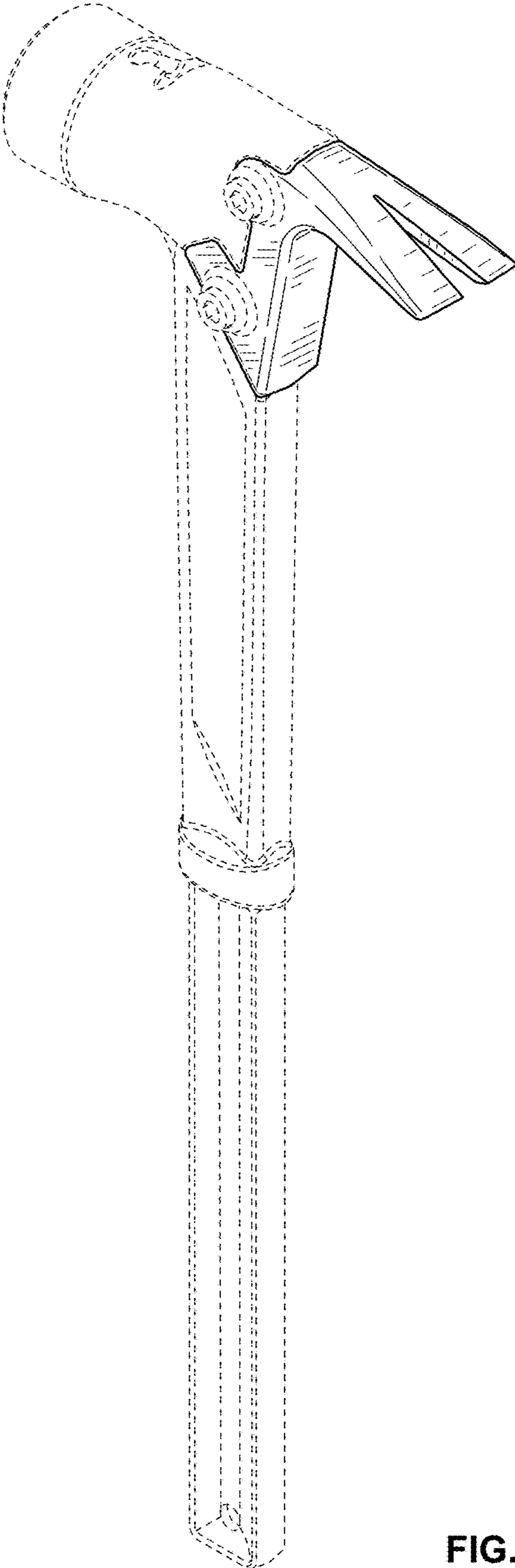


FIG. 1

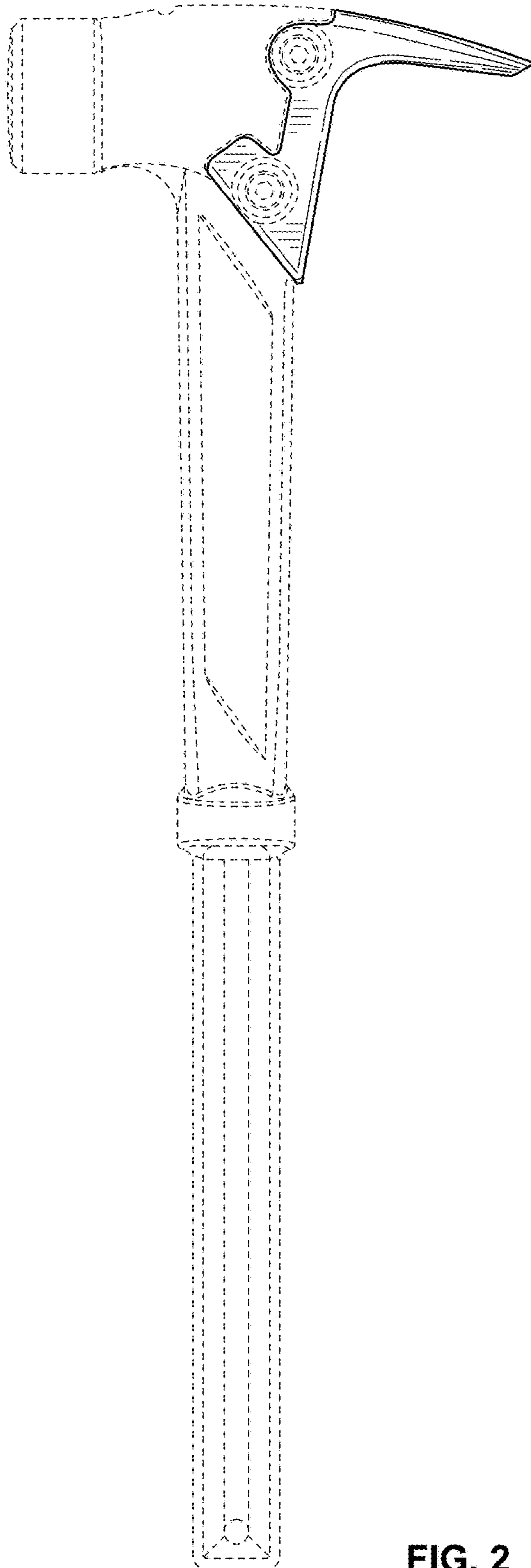


FIG. 2



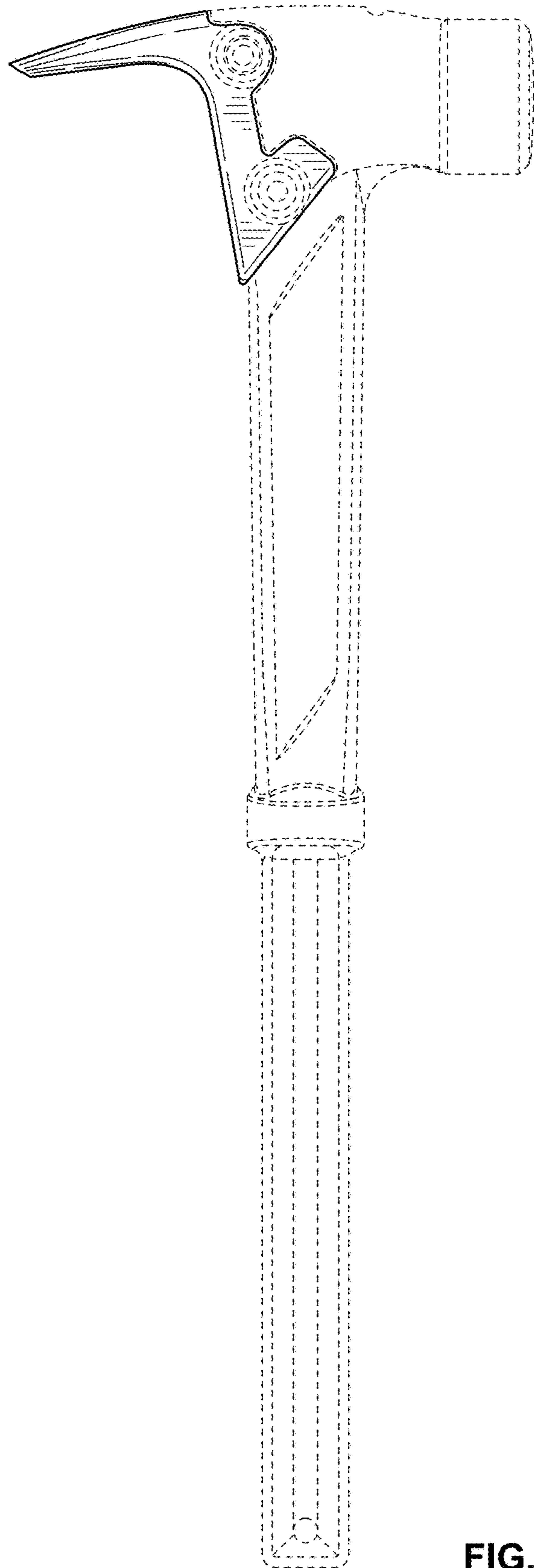


FIG. 3

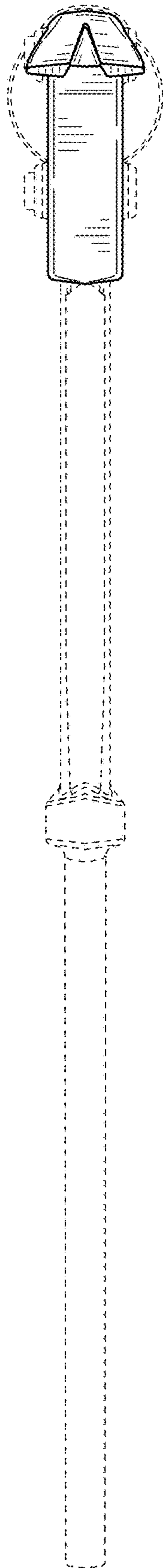


FIG. 4

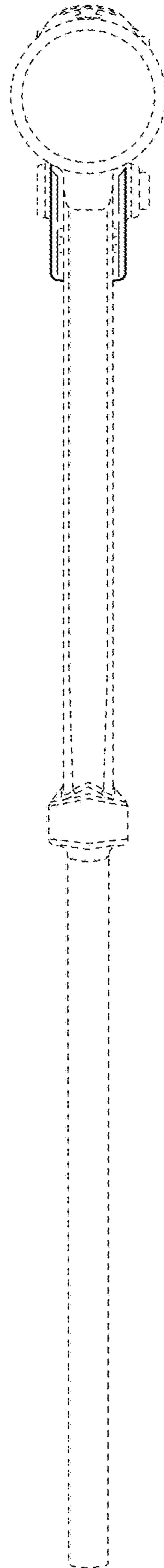


FIG. 5

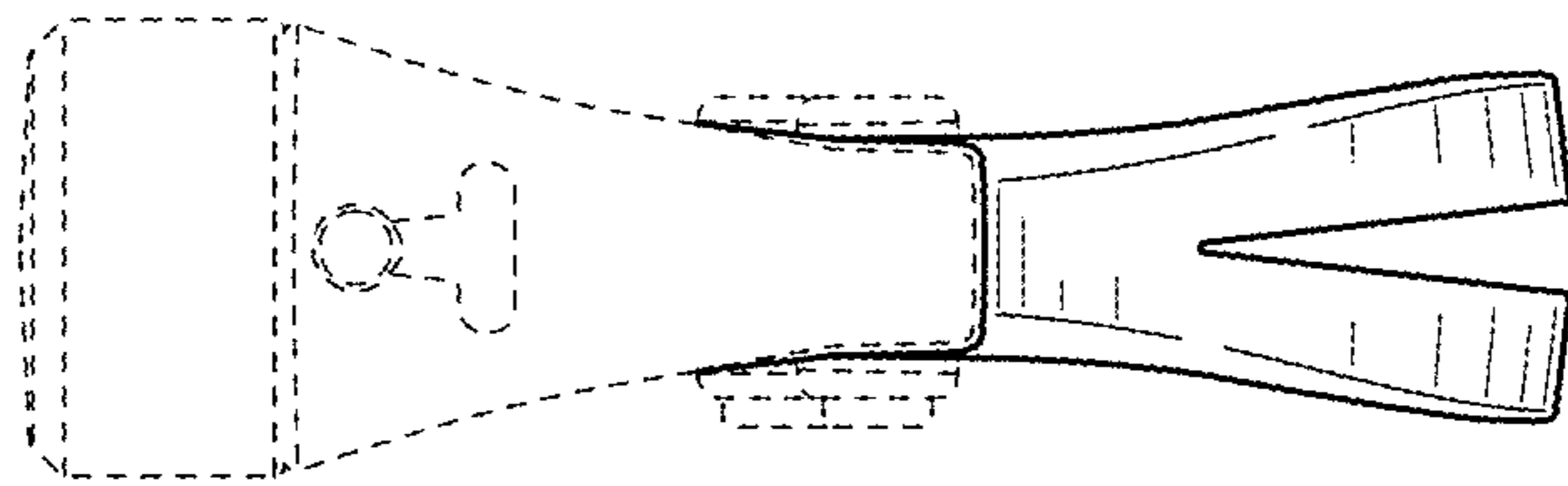


FIG. 6

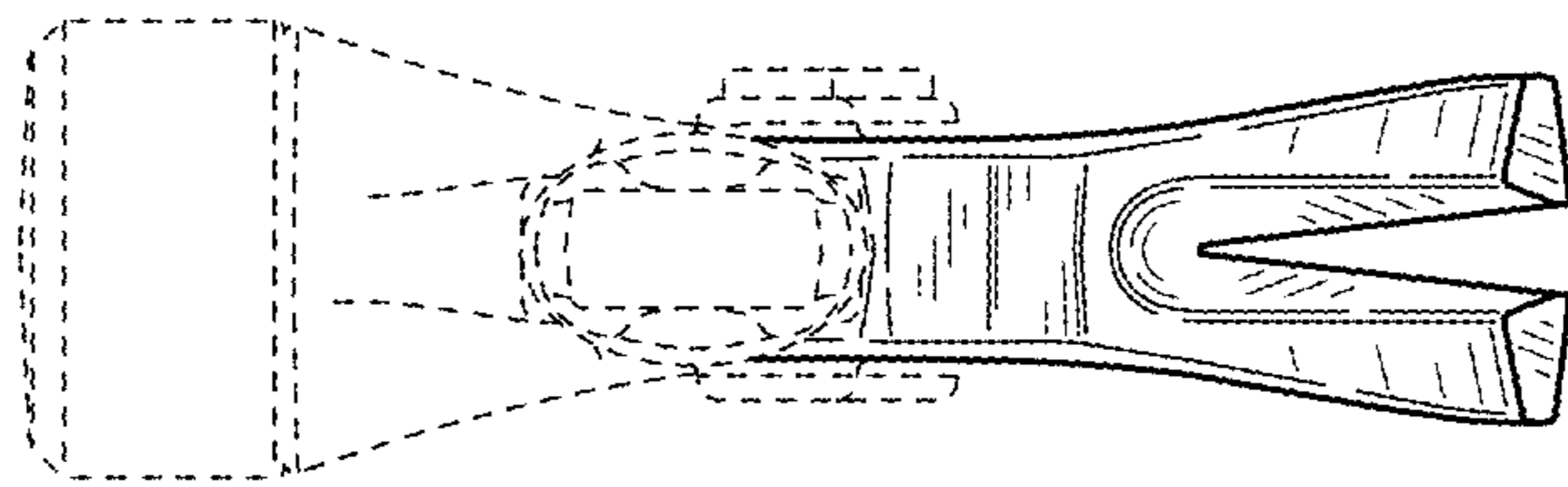


FIG. 7