



US00D829073S

(12) **United States Design Patent**
Starwood

(10) **Patent No.:** **US D829,073 S**

(45) **Date of Patent:** **** Sep. 25, 2018**

- (54) **CLAMP**
- (71) Applicant: **Jim Starwood**, Visalia, CA (US)
- (72) Inventor: **Jim Starwood**, Visalia, CA (US)
- (73) Assignee: **Koling LLC**, Wantagh, NY (US)
- (**) Term: **15 Years**

7,325,271 B2 * 2/2008 Paterson A47L 9/0009
15/246.2
D695,585 S * 12/2013 Trussell D8/72
D732,382 S * 6/2015 Zalanca D8/394
D739,710 S * 9/2015 Bukovitz D4/199
D764,249 S * 8/2016 Deveci D8/72
D793,851 S * 8/2017 Mann D8/394
D798,697 S * 10/2017 Roy D8/382
D820,062 S * 6/2018 Martin D8/73

* cited by examiner

- (21) Appl. No.: **29/612,877**
- (22) Filed: **Aug. 4, 2017**
- (51) **LOC (11) Cl.** **08-05**
- (52) **U.S. Cl.**
USPC **D8/72**
- (58) **Field of Classification Search**
USPC D8/71-74, 394-399, 59; 248/63, 72,
248/74.1, 689, 124.2; 81/487, 385, 386,
81/388-390; 269/3, 4, 6, 143, 165, 240,
269/243, 246-249, 254 R, 147-149;
29/256, 257, 276; 408/103, 104-109
CPC B25B 1/00; B25B 5/00
See application file for complete search history.

Primary Examiner — David Muller
(74) *Attorney, Agent, or Firm* — AU LLC; Adam E. Urbanczyk

(57) **CLAIM**

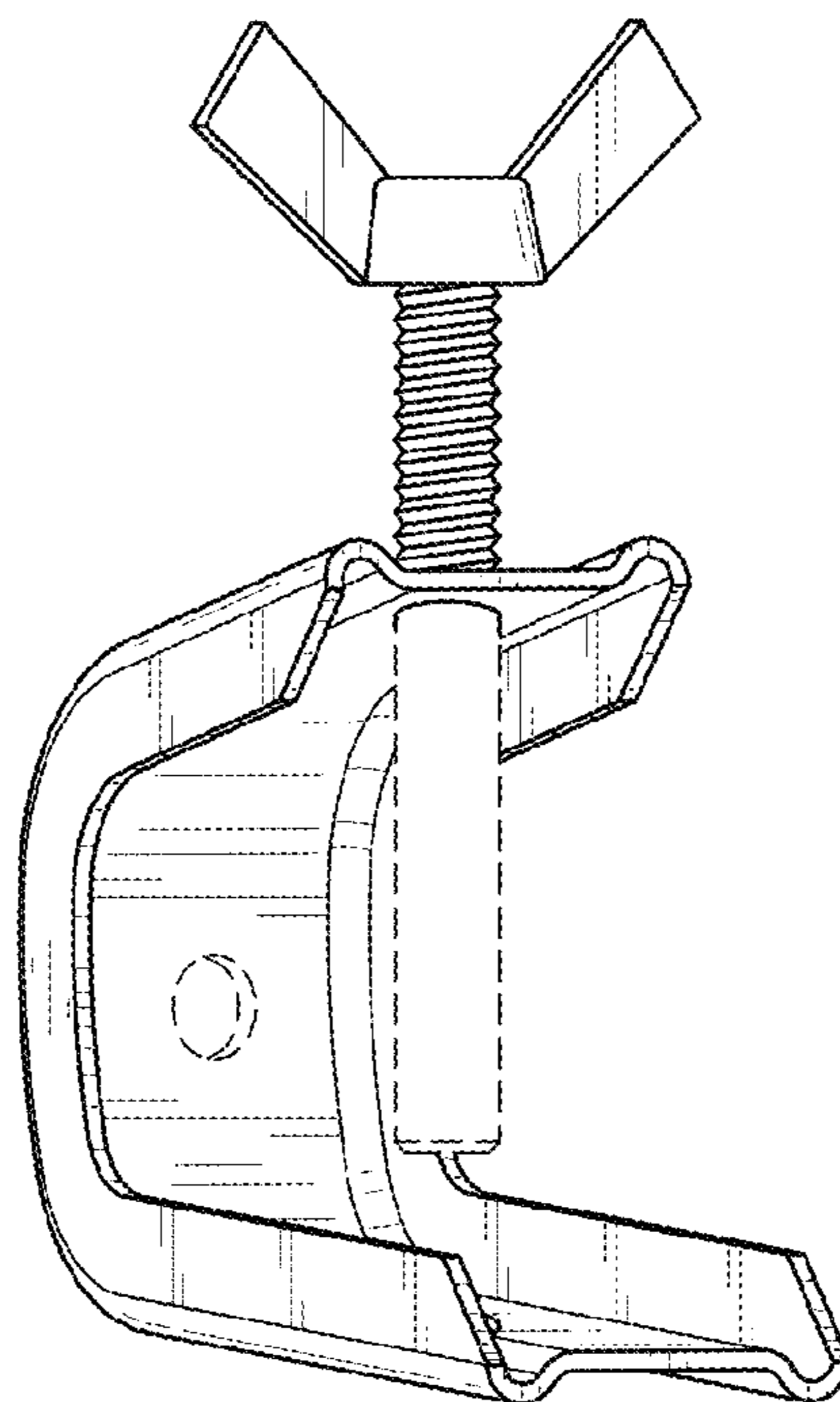
The ornamental design for a clamp, as shown and described.

DESCRIPTION

FIG. 1 is a front left perspective view of a clamp;
FIG. 2 is a rear left perspective view thereof;
FIG. 3 is a left side view thereof;
FIG. 4 is a right side view thereof;
FIG. 5 is a front view thereof;
FIG. 6 is a rear view thereof;
FIG. 7 is a top view thereof; and,
FIG. 8 is a bottom view thereof.
The features shown in broken lines depict environmental structure only and form no part of the claimed design.

- (56) **References Cited**
U.S. PATENT DOCUMENTS
D277,749 S * 2/1985 Todd D13/149
D356,721 S * 3/1995 Tessman D8/72
D356,722 S * 3/1995 Tessman D8/72
6,363,595 B1 * 4/2002 Roy B25B 5/003
29/257
D544,771 S * 6/2007 Duffy D8/51

1 Claim, 8 Drawing Sheets



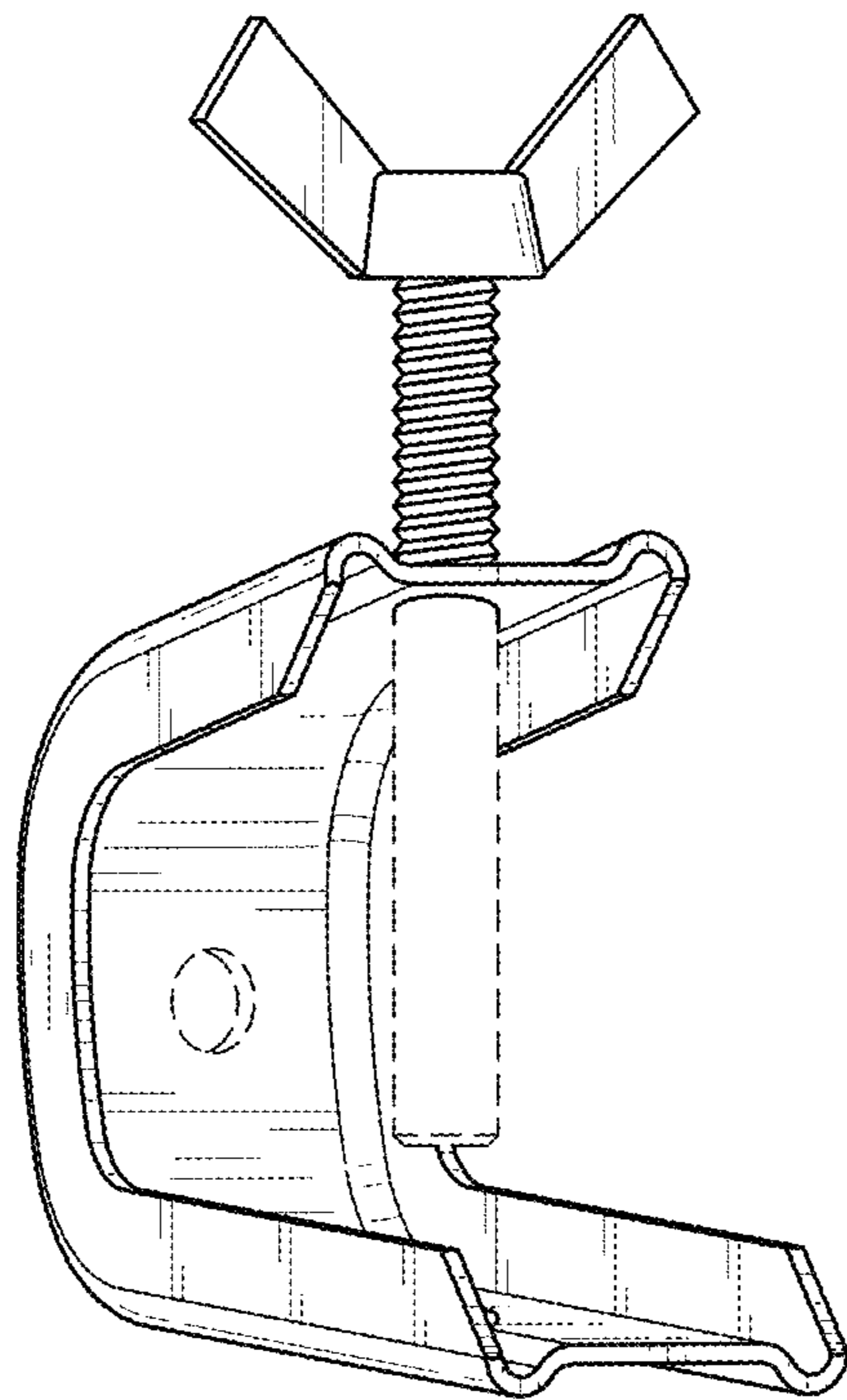


FIG. 1

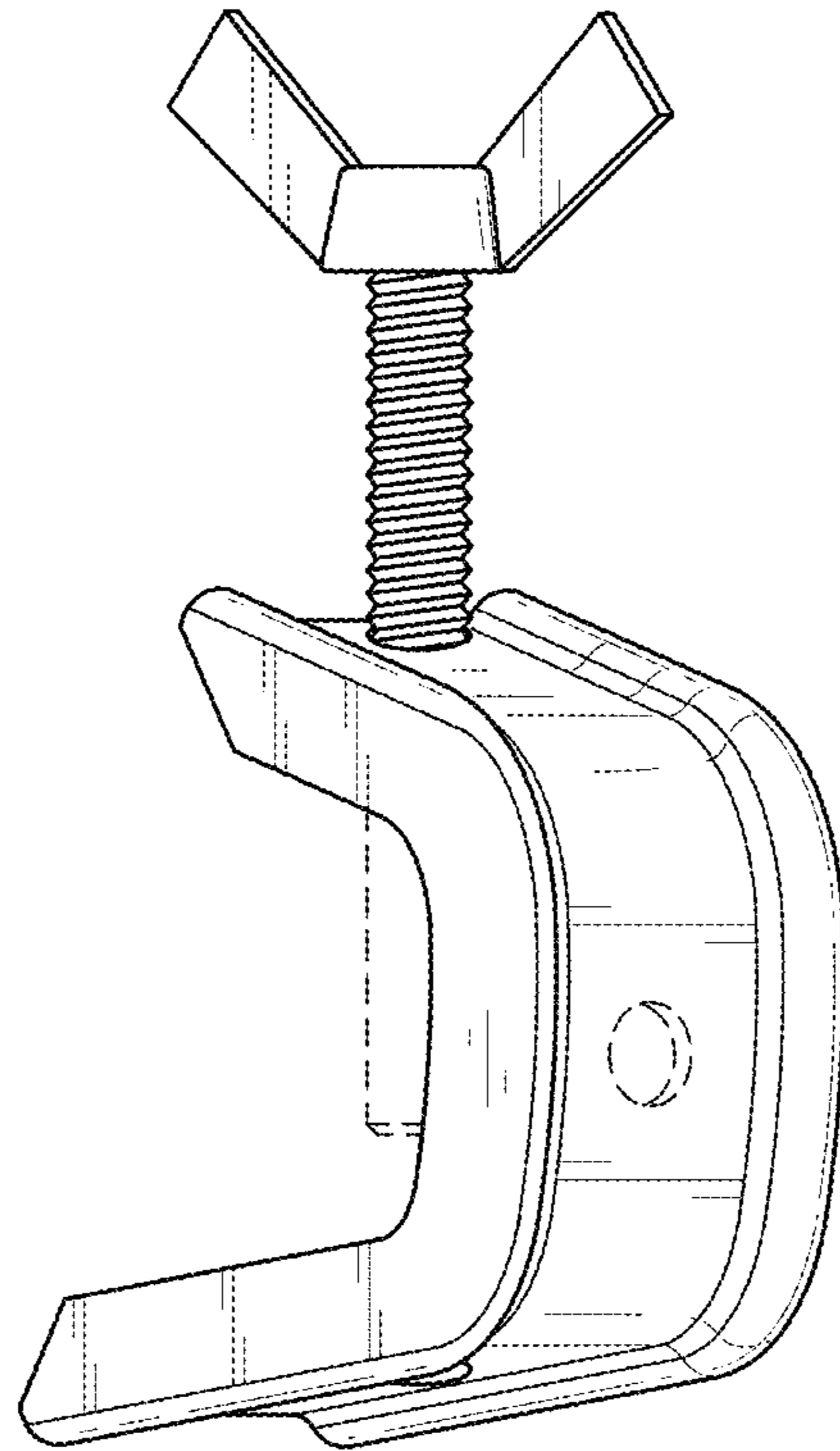


FIG. 2

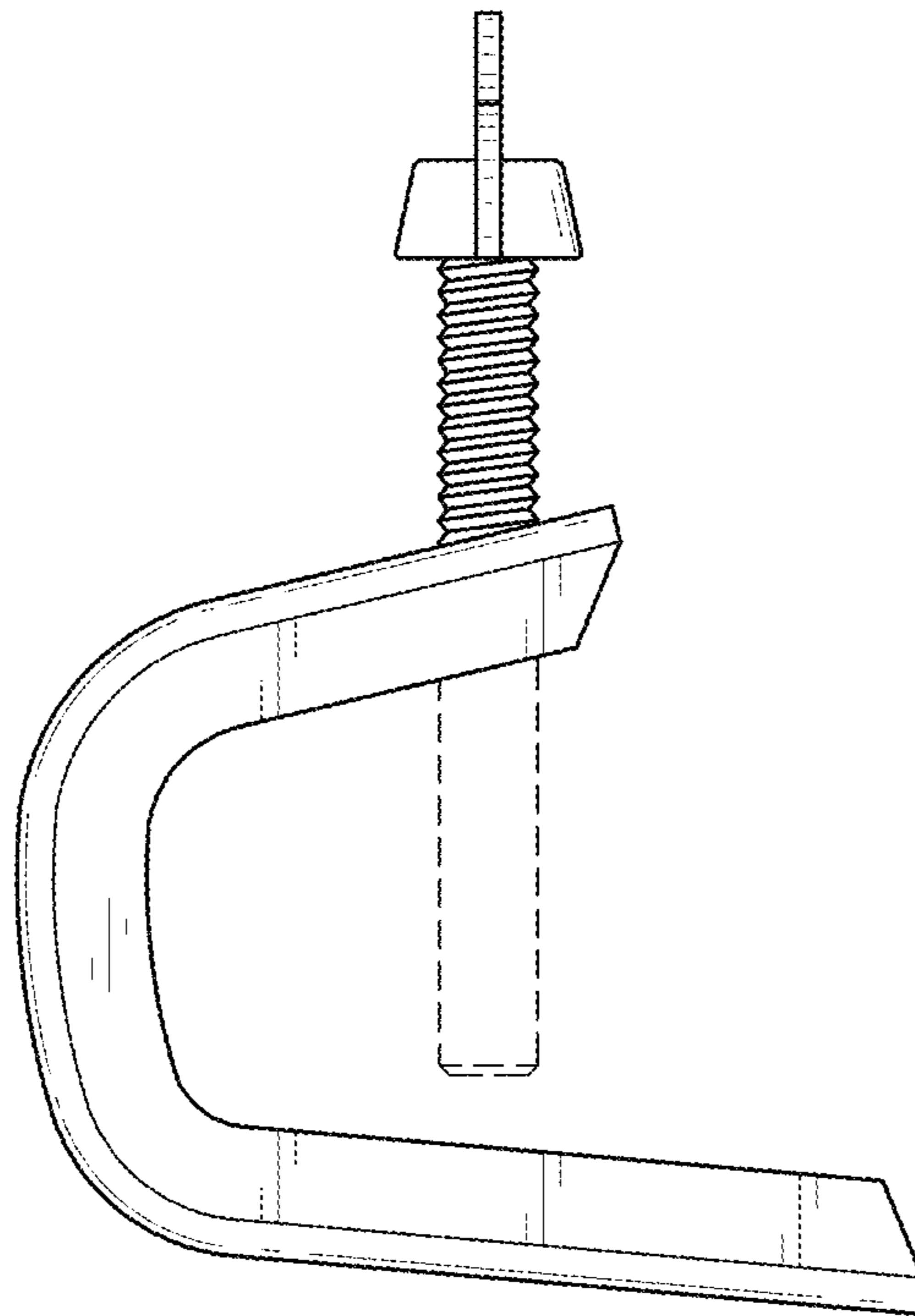


FIG. 3

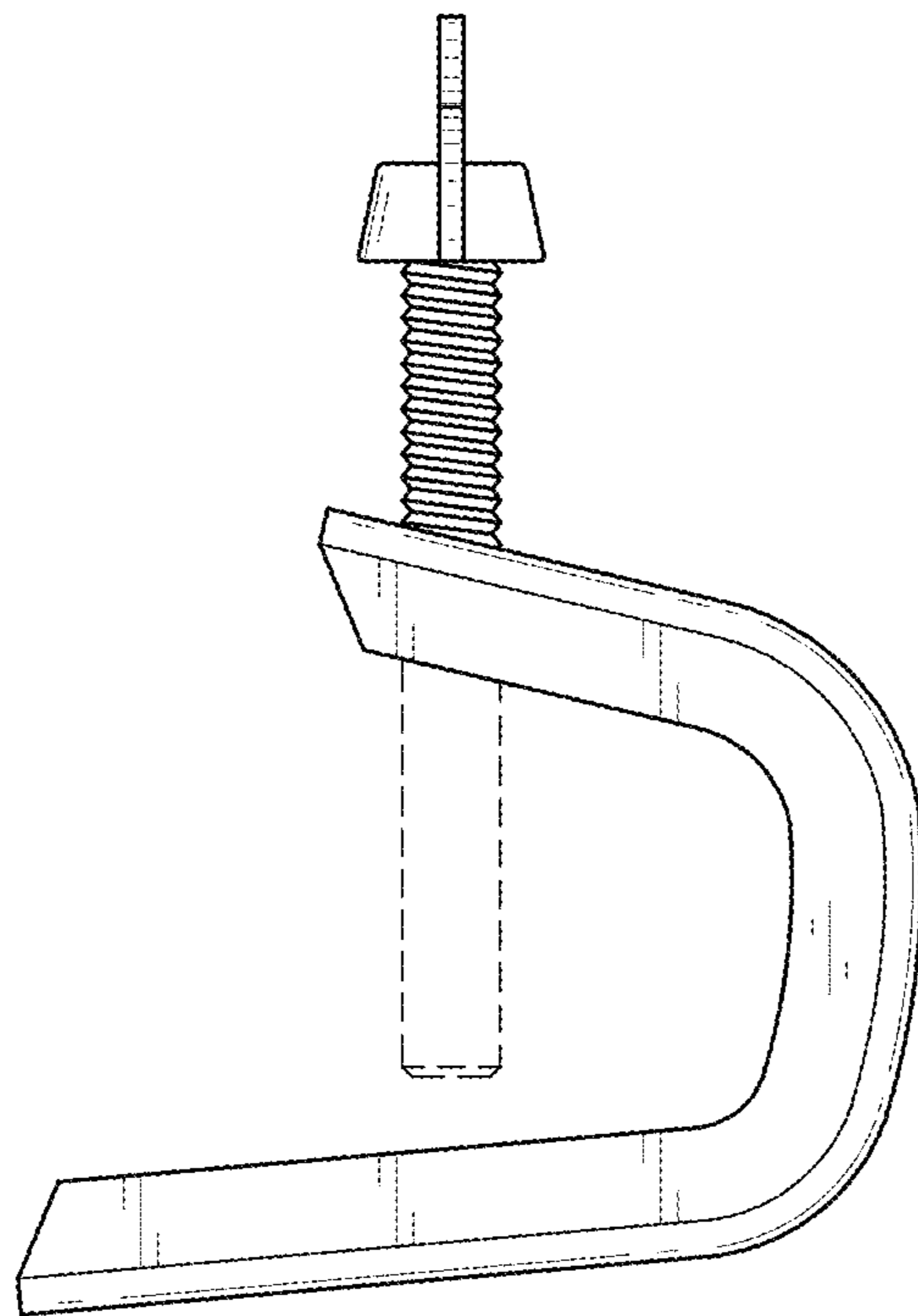


FIG. 4

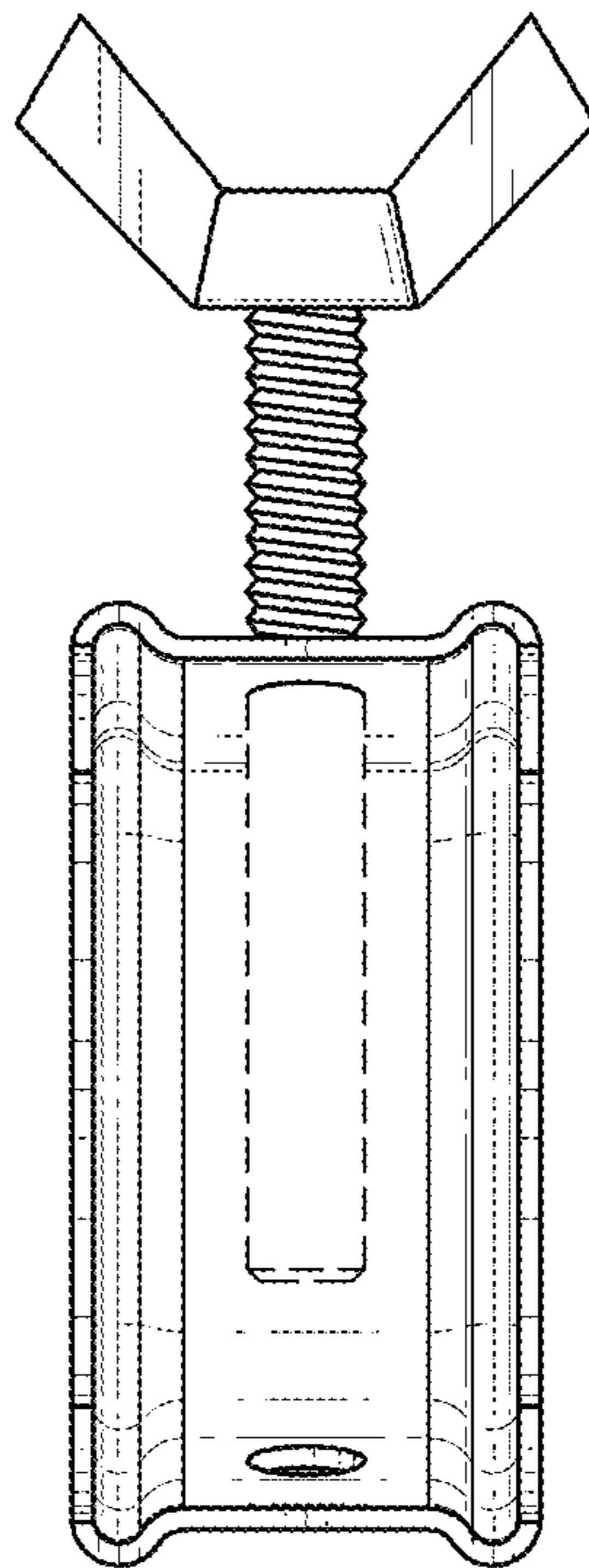


FIG. 5

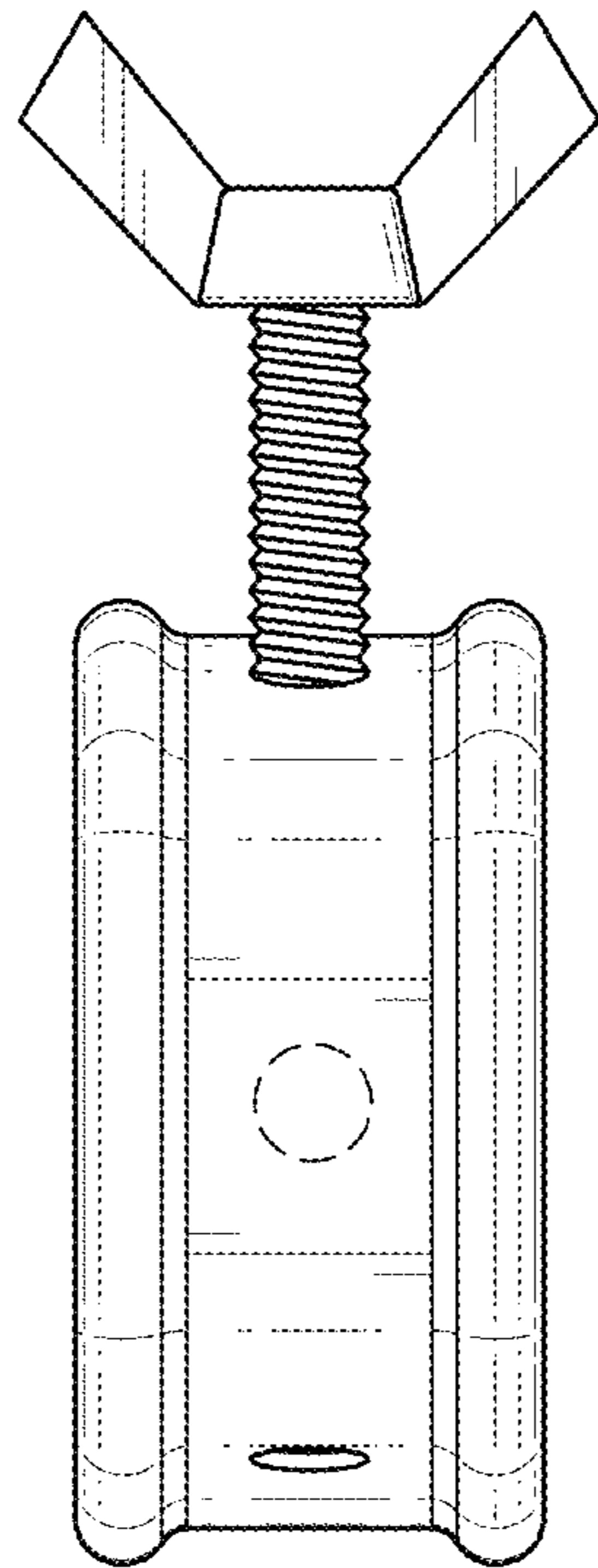


FIG. 6

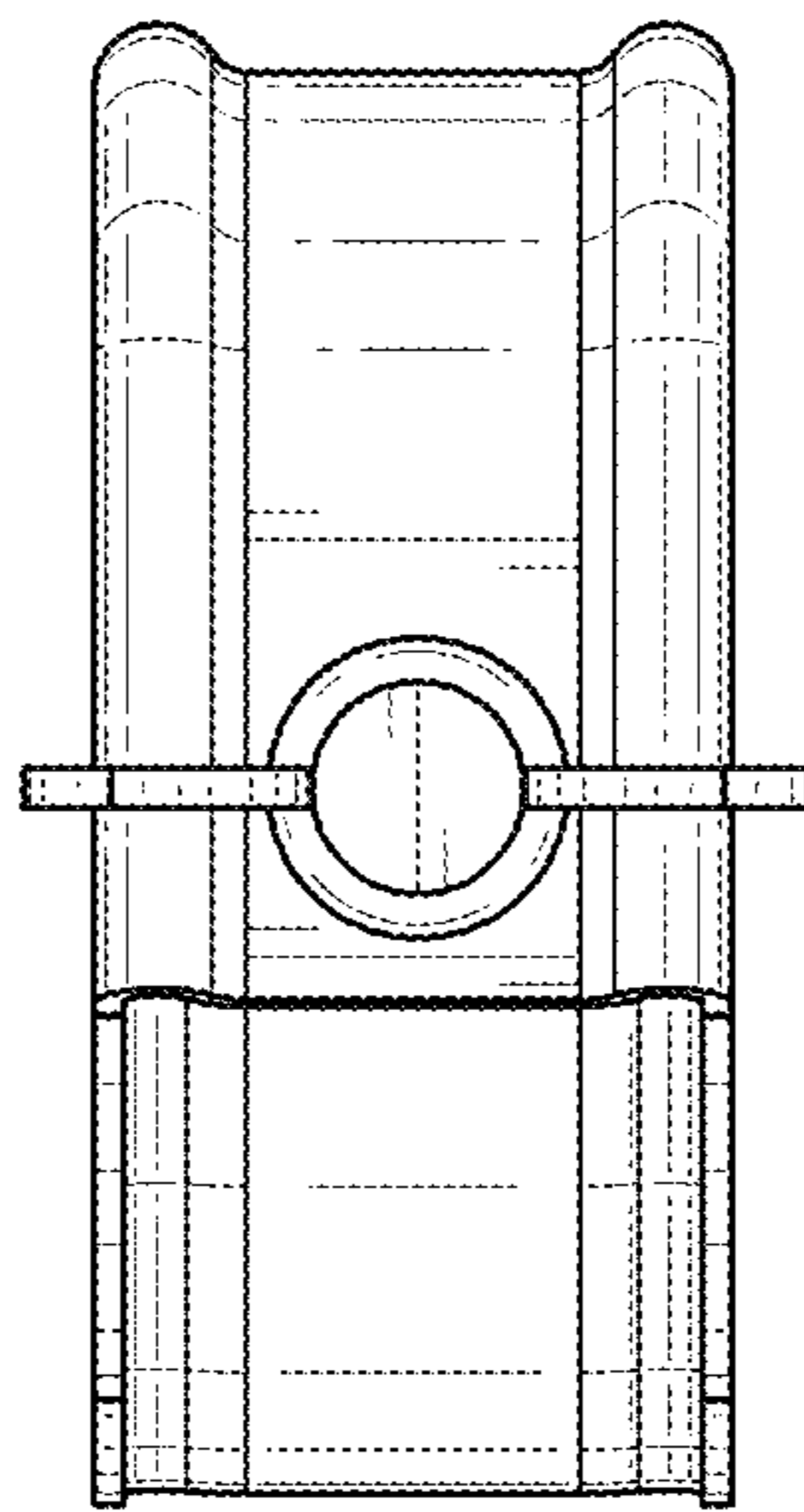


FIG. 7

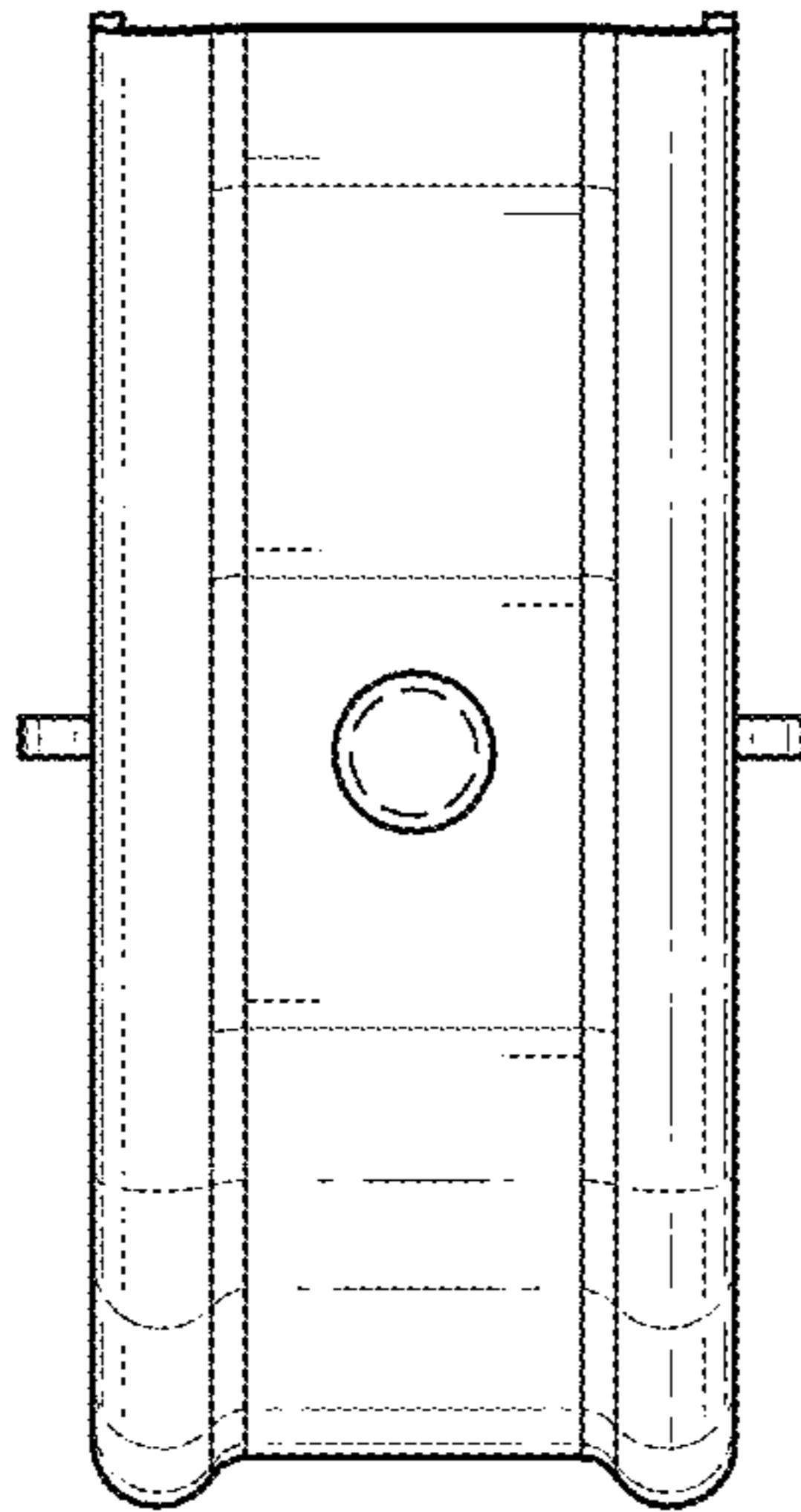


FIG. 8