



US00D829072S

(12) **United States Design Patent** (10) **Patent No.:** **US D829,072 S**
Lund et al. (45) **Date of Patent:** **** Sep. 25, 2018**

- (54) **MOUNTING CLAMP DEVICE**
- (71) Applicant: **Drägerwerk AG & Co. KGaA**,
Luebeck (DE)
- (72) Inventors: **Peter Andrew Lund**, Nashua, NH
(US); **Ashleigh C. Collins**, Derry, NH
(US)
- (73) Assignee: **Drägerwerk AG & Co. KGaA**,
Luebeck (DE)
- (**) Term: **15 Years**
- (21) Appl. No.: **29/538,820**
- (22) Filed: **Sep. 8, 2015**
- (51) **LOC (11) Cl.** **08-05**
- (52) **U.S. Cl.**
USPC **D8/72**
- (58) **Field of Classification Search**
USPC D8/71-74, 394-399, 59; 248/63, 72,
248/74.1, 689, 124.2; 81/487, 385, 386,
81/388-390; 269/3, 4, 6, 143, 165, 240,
269/243, 246-249, 254 R, 147-149;
29/256, 257, 276; 408/103, 104-109
CPC B25B 5/00; B25B 1/00
See application file for complete search history.

- D492,587 S * 7/2004 Eason D8/396
 - D540,466 S 4/2007 Homra et al.
 - D543,820 S * 6/2007 Brass D8/72
 - D597,813 S * 8/2009 Livingston, Jr. D8/72
 - D629,679 S * 12/2010 Riddell D8/394
 - 7,866,617 B2 1/2011 Patzer
 - 8,167,259 B2 5/2012 Spang et al.
 - 8,241,093 B2 * 8/2012 Piguet B24L 33/247
269/243
 - D677,141 S * 3/2013 Gordon D8/74
 - D680,843 S * 4/2013 Onello D8/74
 - D682,653 S * 5/2013 Coope D8/74
 - D696,104 S * 12/2013 Kampl D8/394
 - D713,711 S * 9/2014 Yang D8/14
 - 2006/0278781 A1 12/2006 Homra et al.
- (Continued)

FOREIGN PATENT DOCUMENTS

- FR 770507 9/1934
 - GB 1280979 7/1972
- (Continued)

Primary Examiner — David Muller
(74) *Attorney, Agent, or Firm* — Jones Day

(57) **CLAIM**

The ornamental design for a mounting clamp device, as shown and described.

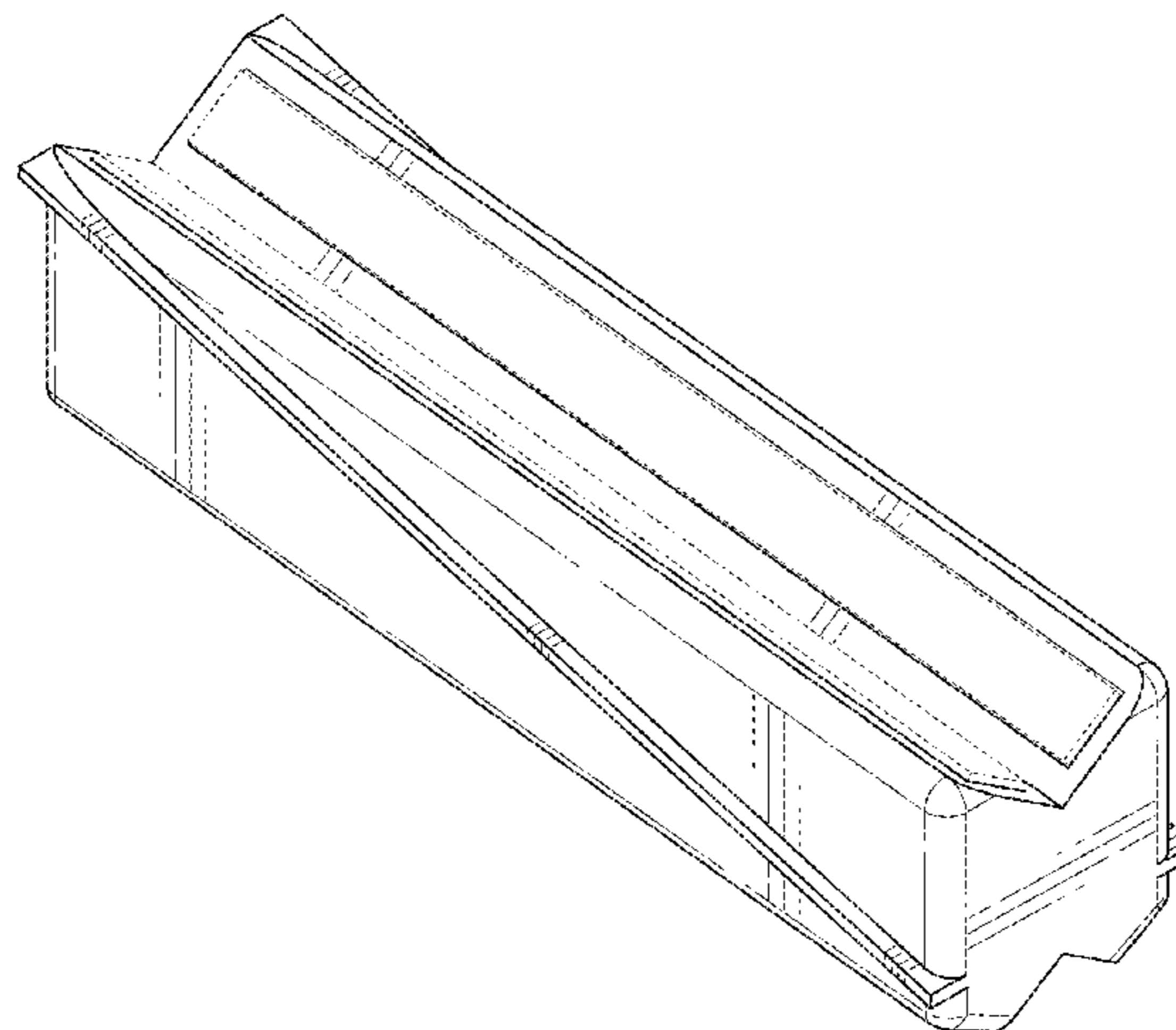
DESCRIPTION

FIG. 1 is a perspective view of a mounting clamp device; FIG. 2 is a side view thereof; FIG. 3 is a side view thereof; FIG. 4 is a front view thereof; FIG. 5 is a rear view thereof; FIG. 6 is a top plan view thereof; and, FIG. 7 is a bottom view thereof. The broken lines shown in the figures are for the purposes of illustrating the mounting clamp device in use and forms no part of the claimed design.

1 Claim, 7 Drawing Sheets

(56) **References Cited**
U.S. PATENT DOCUMENTS

- 4,674,722 A 6/1987 Danby et al.
- 4,844,397 A 7/1989 Chan et al.
- 5,169,106 A 12/1992 Rasmussen
- 5,332,184 A 7/1994 Davis
- D370,172 S * 5/1996 Rohaly D8/396
- 5,588,166 A 12/1996 Burnett
- 5,829,723 A 11/1998 Brunner et al.
- D440,853 S * 4/2001 Welsh D8/73
- 6,342,138 B1 * 1/2002 Brown C25D 17/06
204/297.01



(56)

References Cited

U.S. PATENT DOCUMENTS

2009/0152419 A1 6/2009 Wallace
2010/0314517 A1 12/2010 Patzer
2013/0206938 A1 8/2013 Clouser

FOREIGN PATENT DOCUMENTS

WO PCT/US2015/048958 9/2015
WO WO 2013161711 A1 12/2015

* cited by examiner

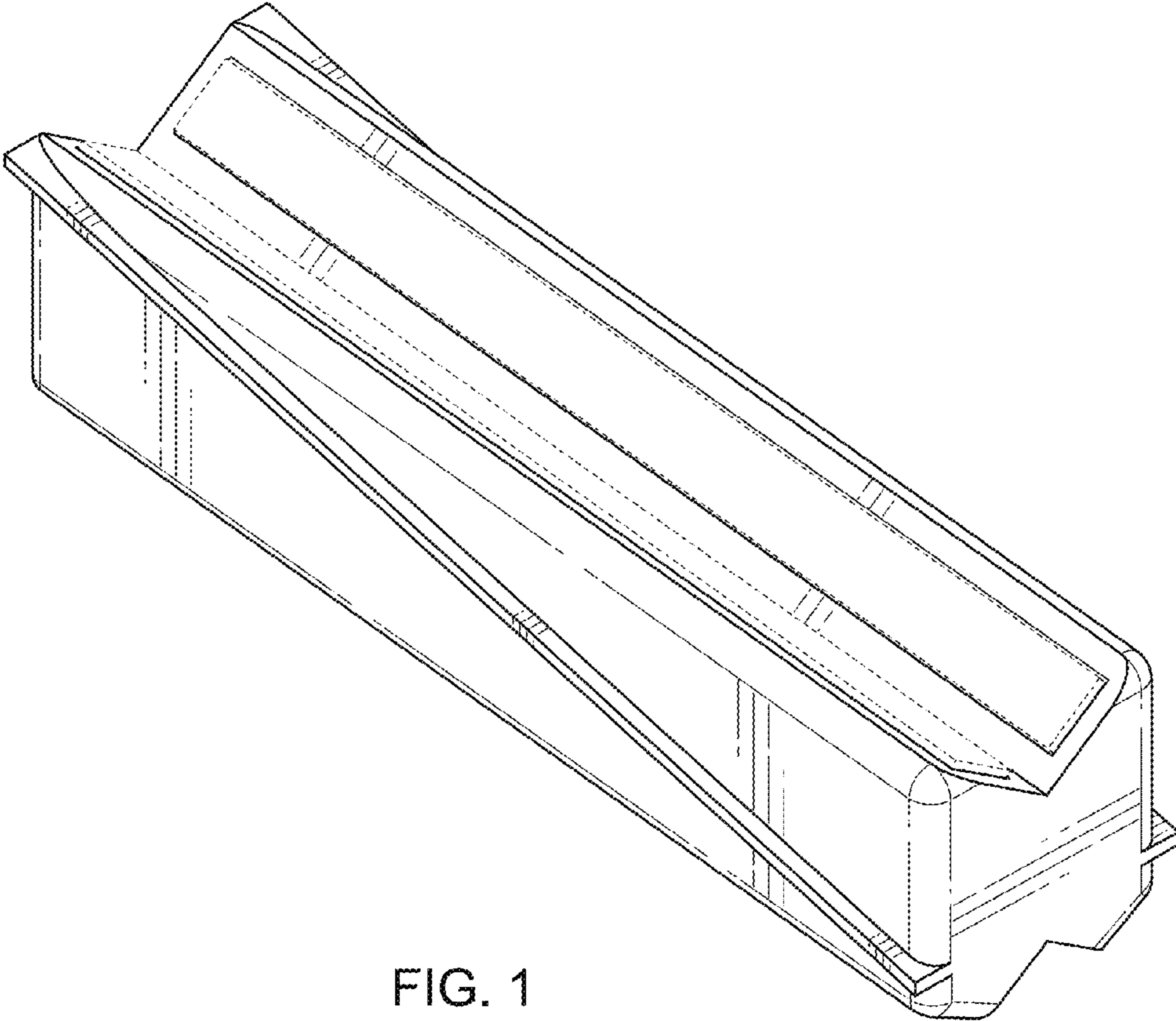


FIG. 1

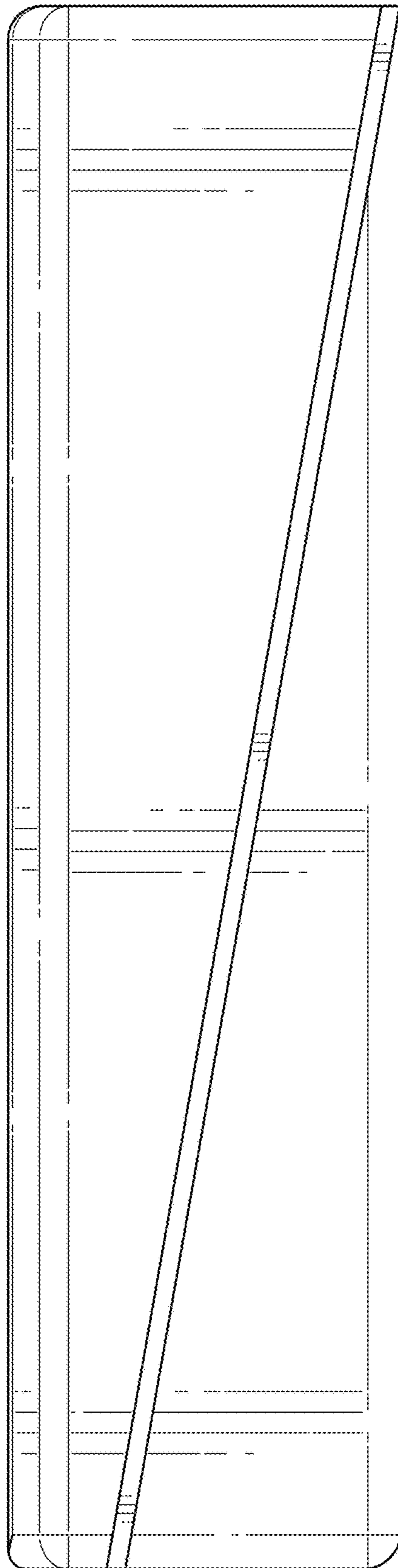


FIG. 2

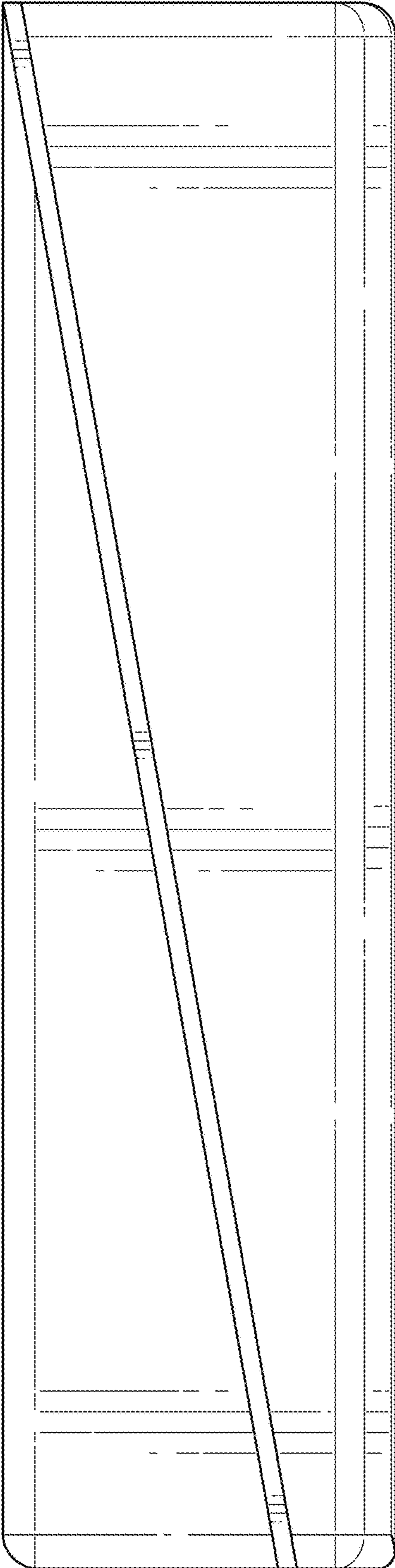


FIG. 3

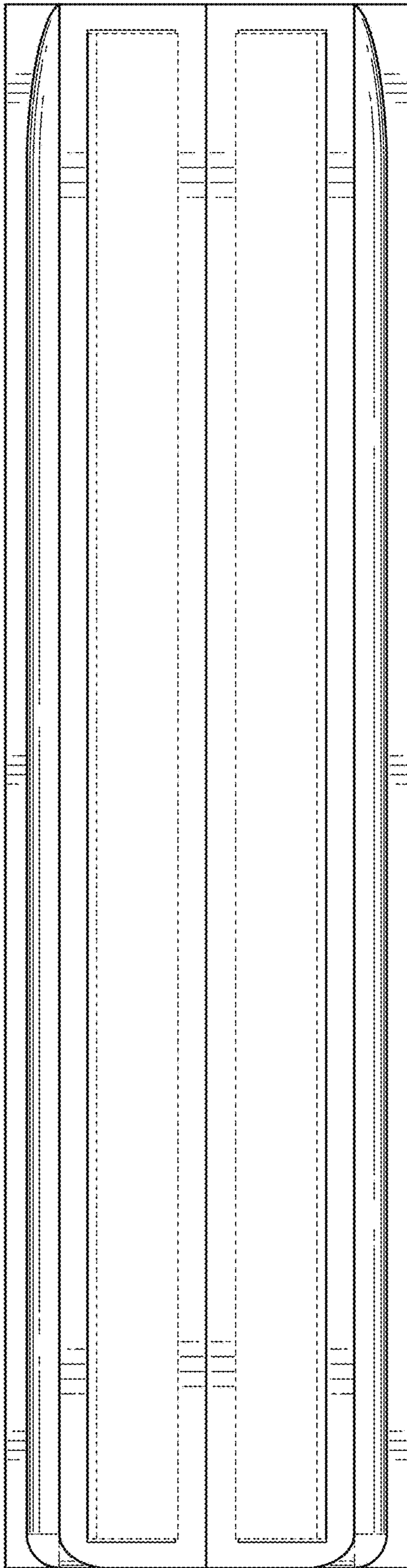


FIG. 4

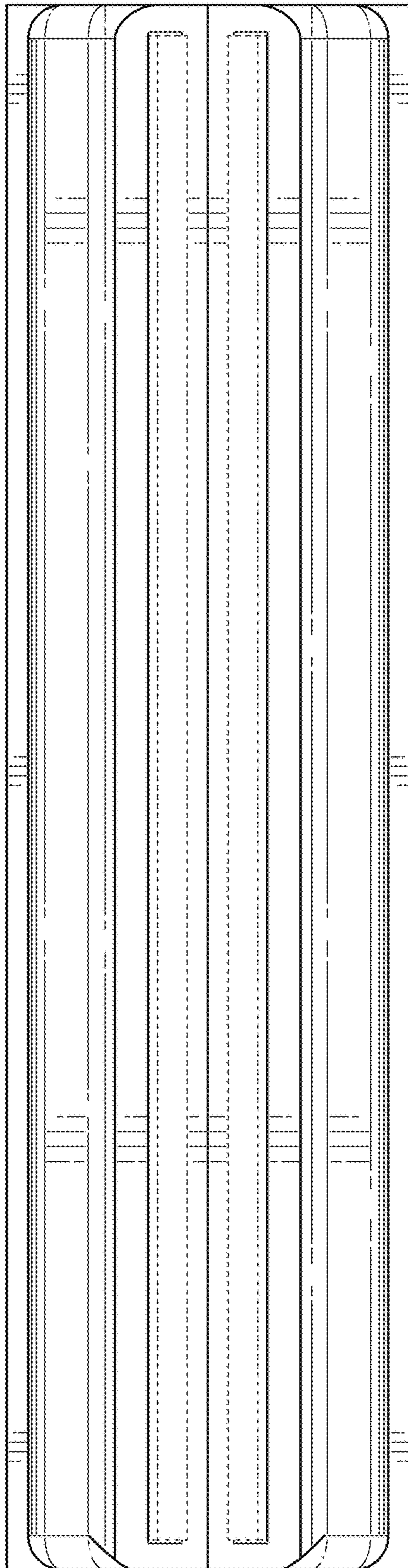


FIG. 5

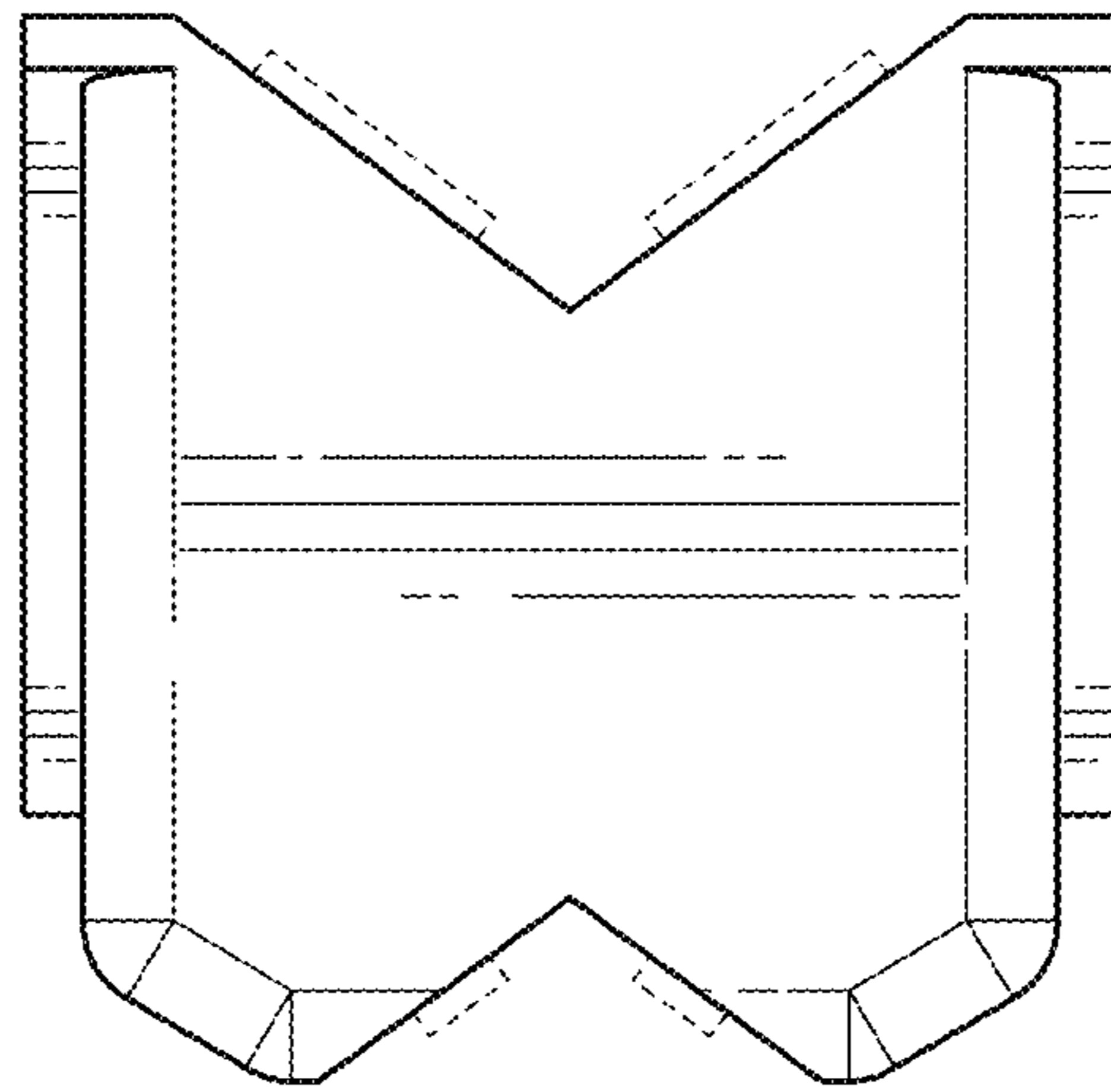


FIG. 6

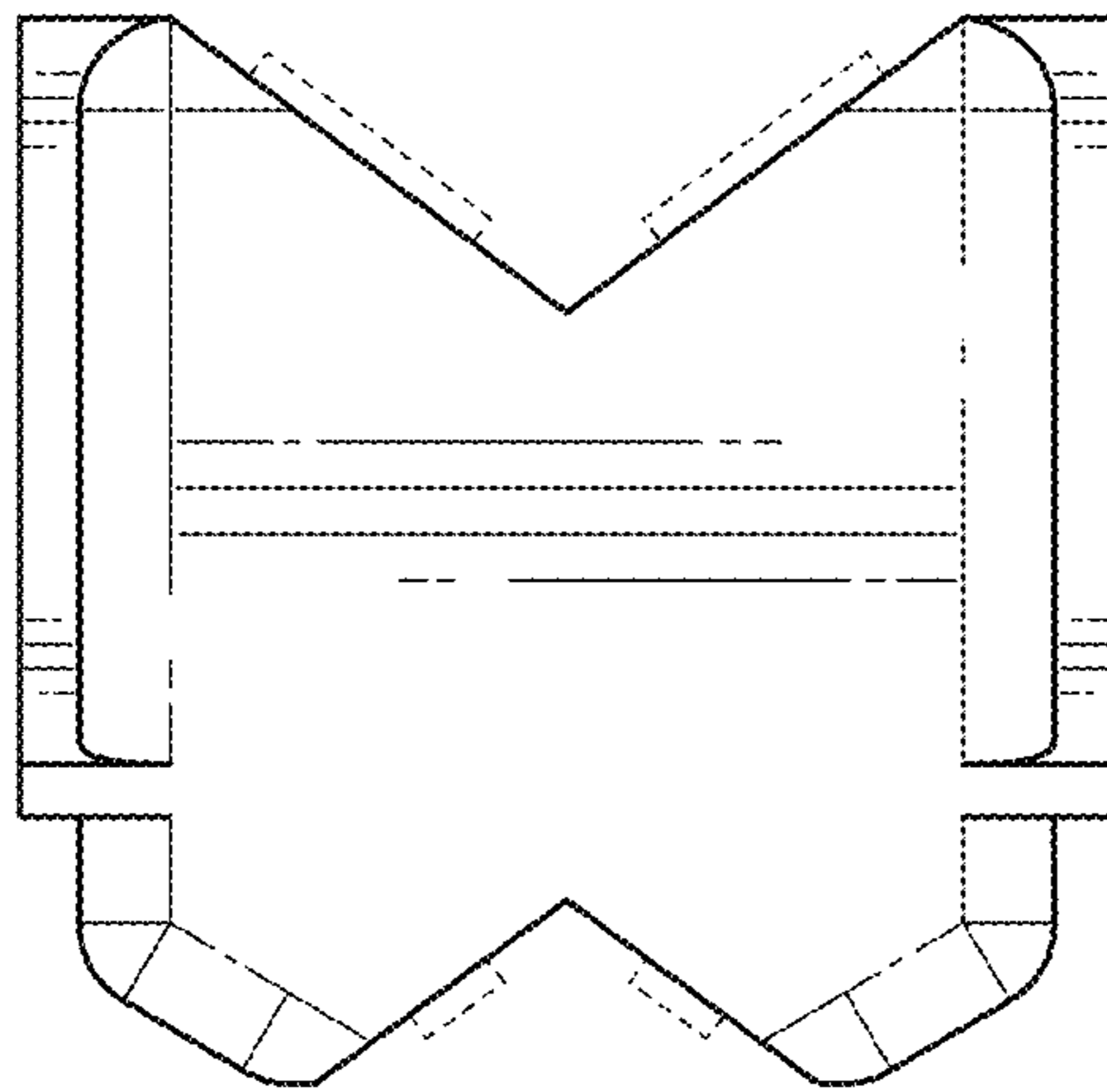


FIG. 7