



US00D829070S

(12) **United States Design Patent**
Baker et al.

(10) **Patent No.:** **US D829,070 S**
(45) **Date of Patent:** **** Sep. 25, 2018**

- (54) **CUTTING TOOL SHARPENER**
- (71) Applicant: **DAREX, LLC**, Ashland, OR (US)
- (72) Inventors: **Steven L. Baker**, Medford, OR (US);
Matthew S. Ferdinand, Medford, OR (US); **Conner Samuel Macfarlane**, Ashland, OR (US)
- (73) Assignee: **Darex, LLC**, Ashland, OR (US)
- (**) Term: **15 Years**
- (21) Appl. No.: **29/615,271**
- (22) Filed: **Aug. 28, 2017**
- (51) **LOC (11) Cl.** **08-05**
- (52) **U.S. Cl.**
USPC **D8/63**
- (58) **Field of Classification Search**
USPC D8/34, 35, 63, 91, 93; 451/45, 267, 552,
451/555-558; 76/82, 84, 86-89.2;
30/138
CPC B23D 59/04; B23D 63/16; B24B 55/02;
B24B 3/58; B23Q 11/10
See application file for complete search history.

D473,777 S *	4/2003	Thompson	D8/63
D604,135 S *	11/2009	Smith	D8/63
D688,545 S *	8/2013	Jensen	D8/63
D703,018 S *	4/2014	Otsuka	D8/63
8,696,407 B2 *	4/2014	Dovel	B24B 3/52 451/45
D723,895 S *	3/2015	Dovel	D8/63
D730,137 S *	5/2015	Onion	D8/63
9,956,662 B2 *	5/2018	Dovel	B24B 3/52

* cited by examiner

Primary Examiner — Austin Murphy

(74) *Attorney, Agent, or Firm* — Hall Estill Attorneys at Law

(57) **CLAIM**

The ornamental design for a cutting tool sharpener, as shown and described.

DESCRIPTION

FIG. 1 is an isometric view of my design.
 FIG. 2 is a front view of the design.
 FIG. 3 is a rear view of the design.
 FIG. 4 is a right side view of the design.
 FIG. 5 is a left side view of the design.
 FIG. 6 is a top plan view of the design.
 FIG. 7 is a bottom plan view of the design; and,
 FIG. 8 is another isometric view of the design.
 The broken lines in these drawings serve to illustrate the environment in which the claimed design is associated. The broken lines form no part of the claimed design.

(56) **References Cited**

U.S. PATENT DOCUMENTS

- D162,121 S * 2/1951 Branick 241/200
- D168,231 S * 11/1952 Lindgren D7/372

1 Claim, 8 Drawing Sheets

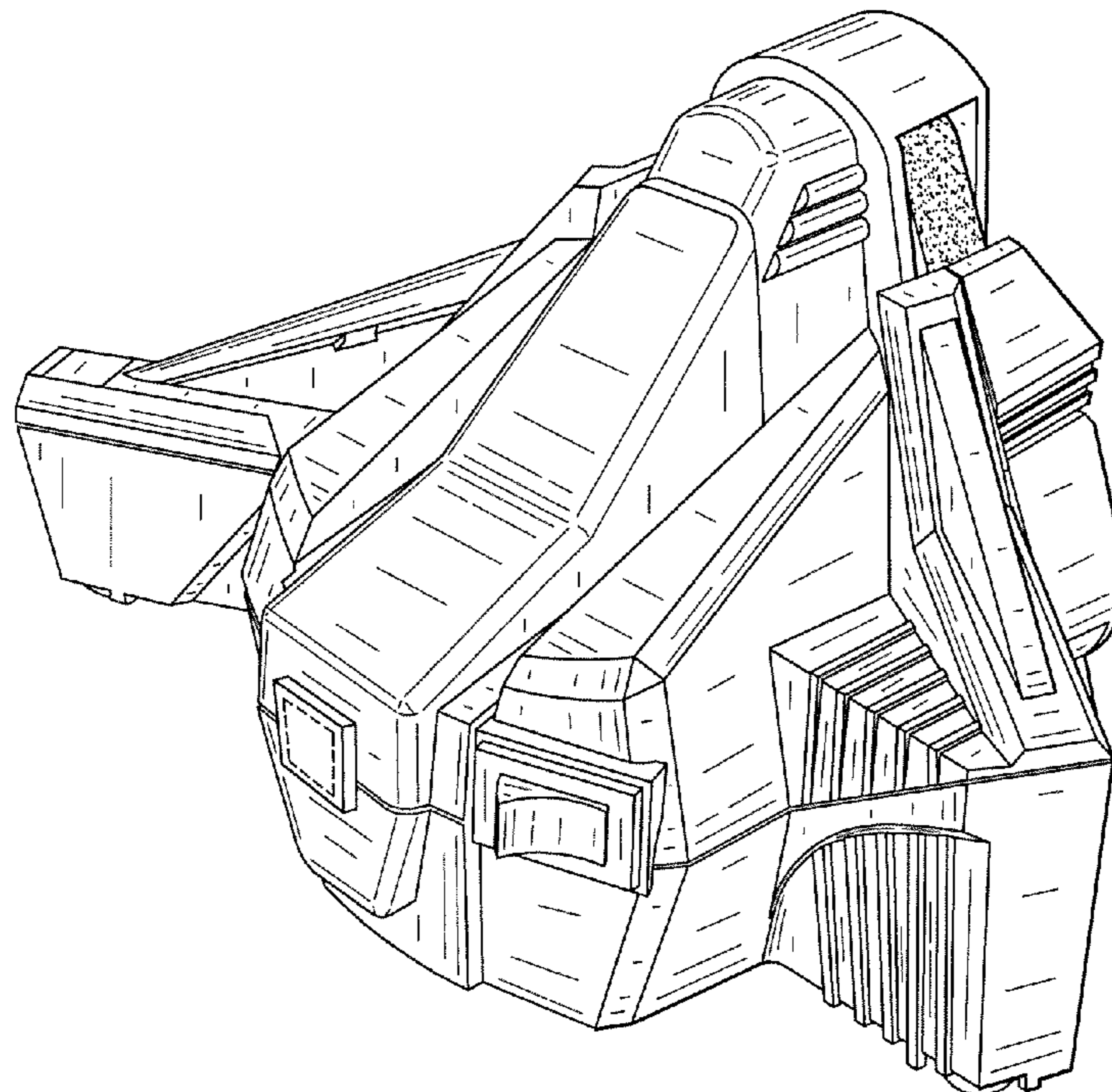


FIG. 1

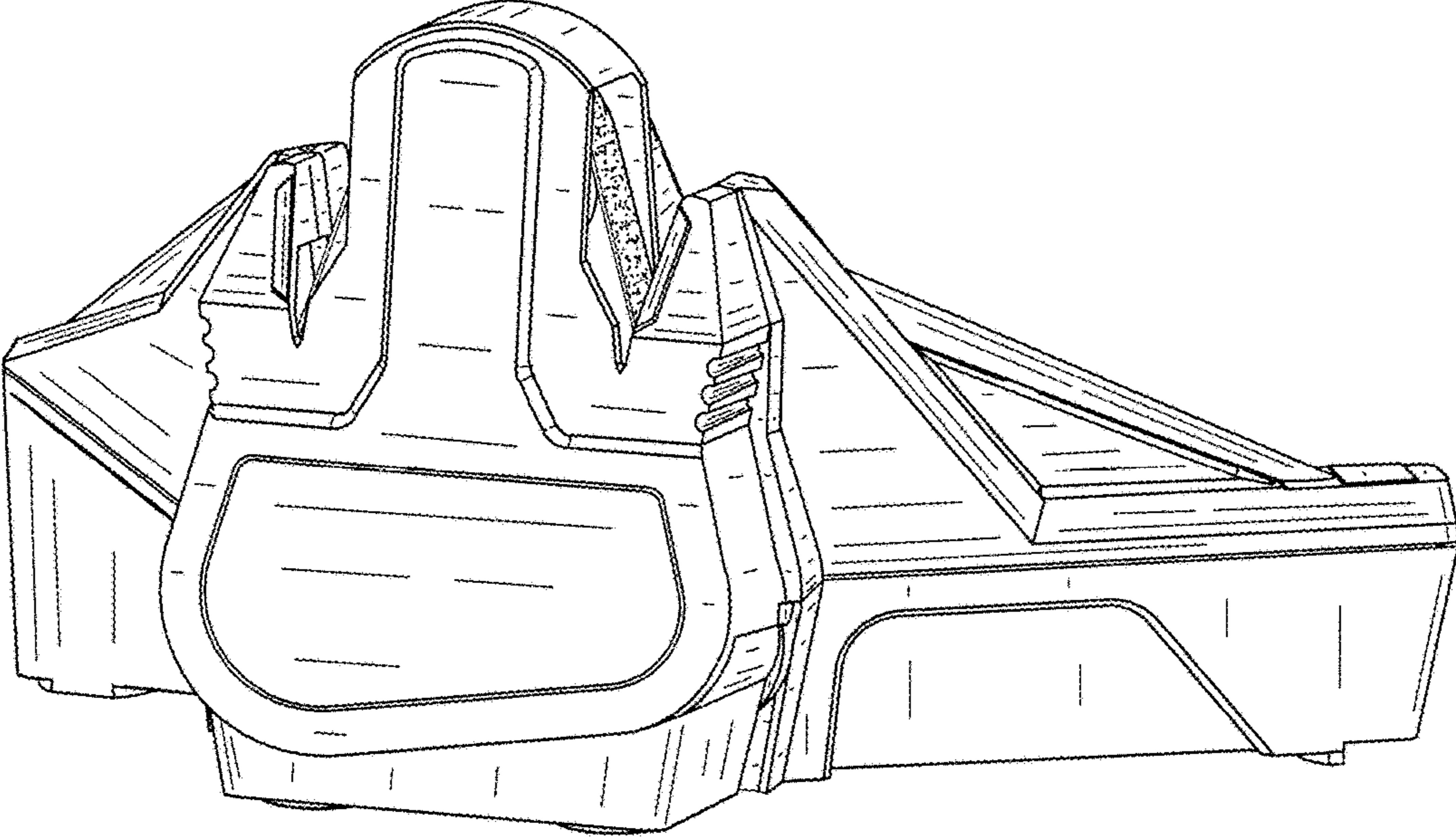


FIG. 2

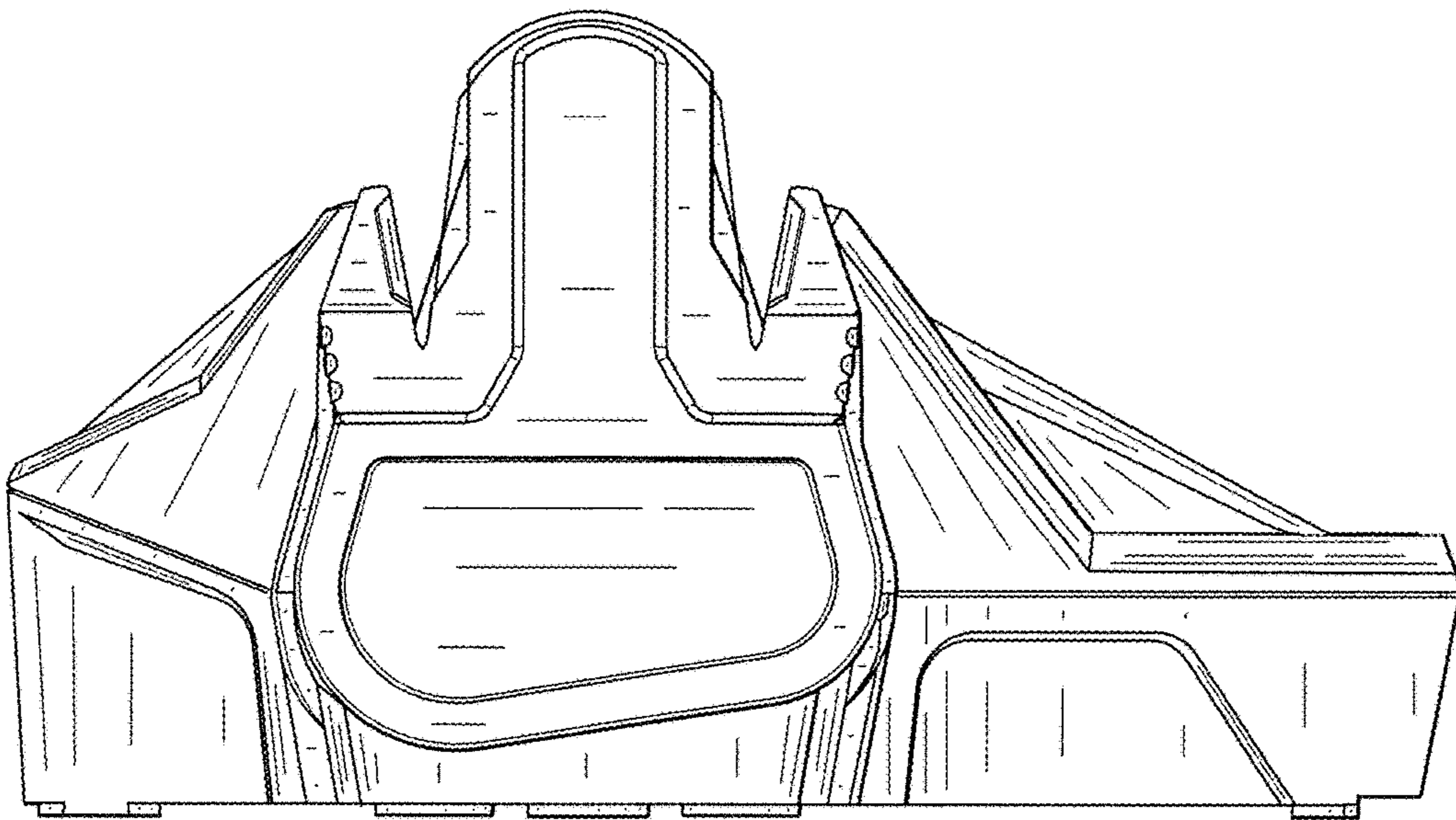


FIG. 3

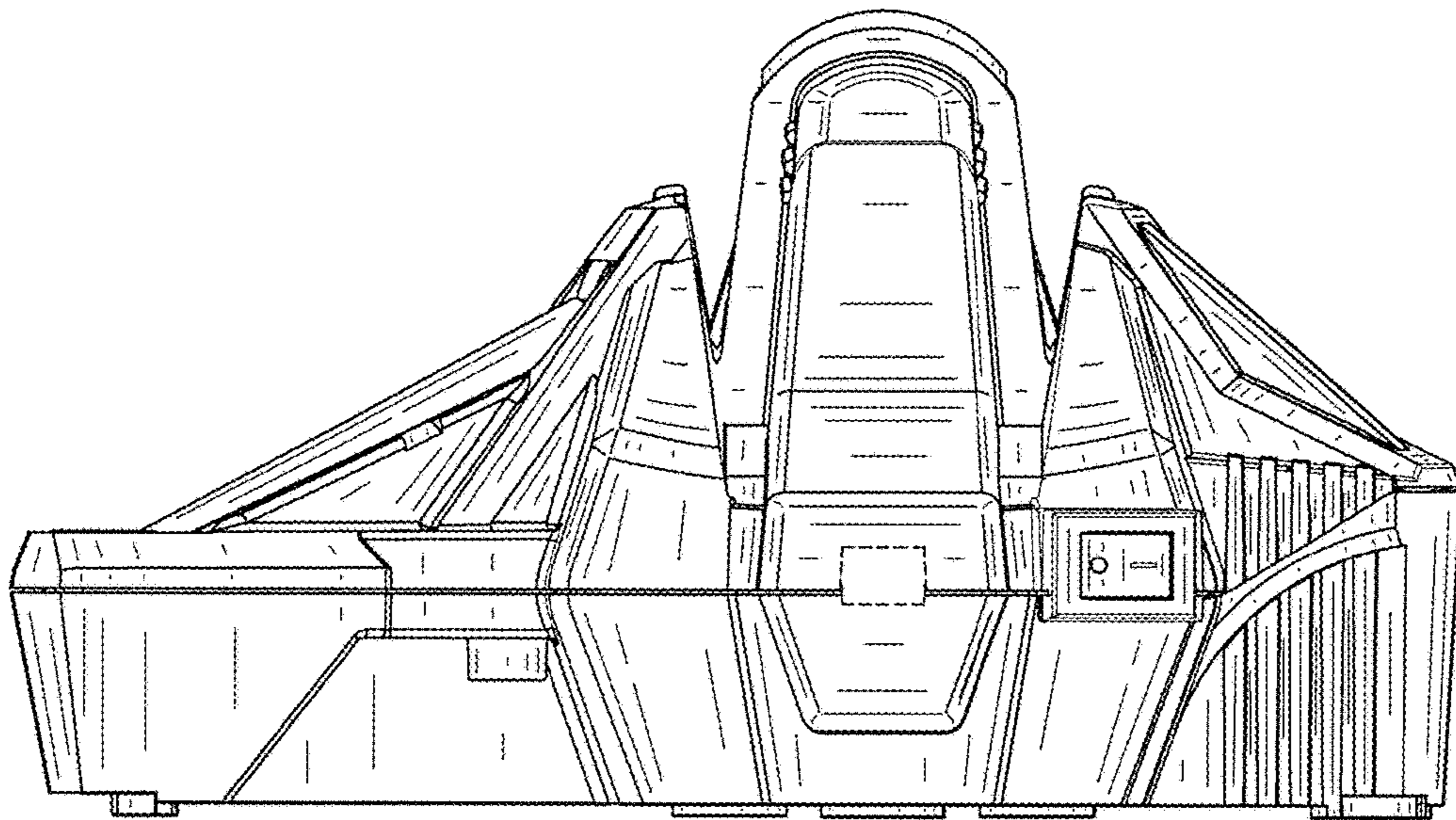


FIG. 4

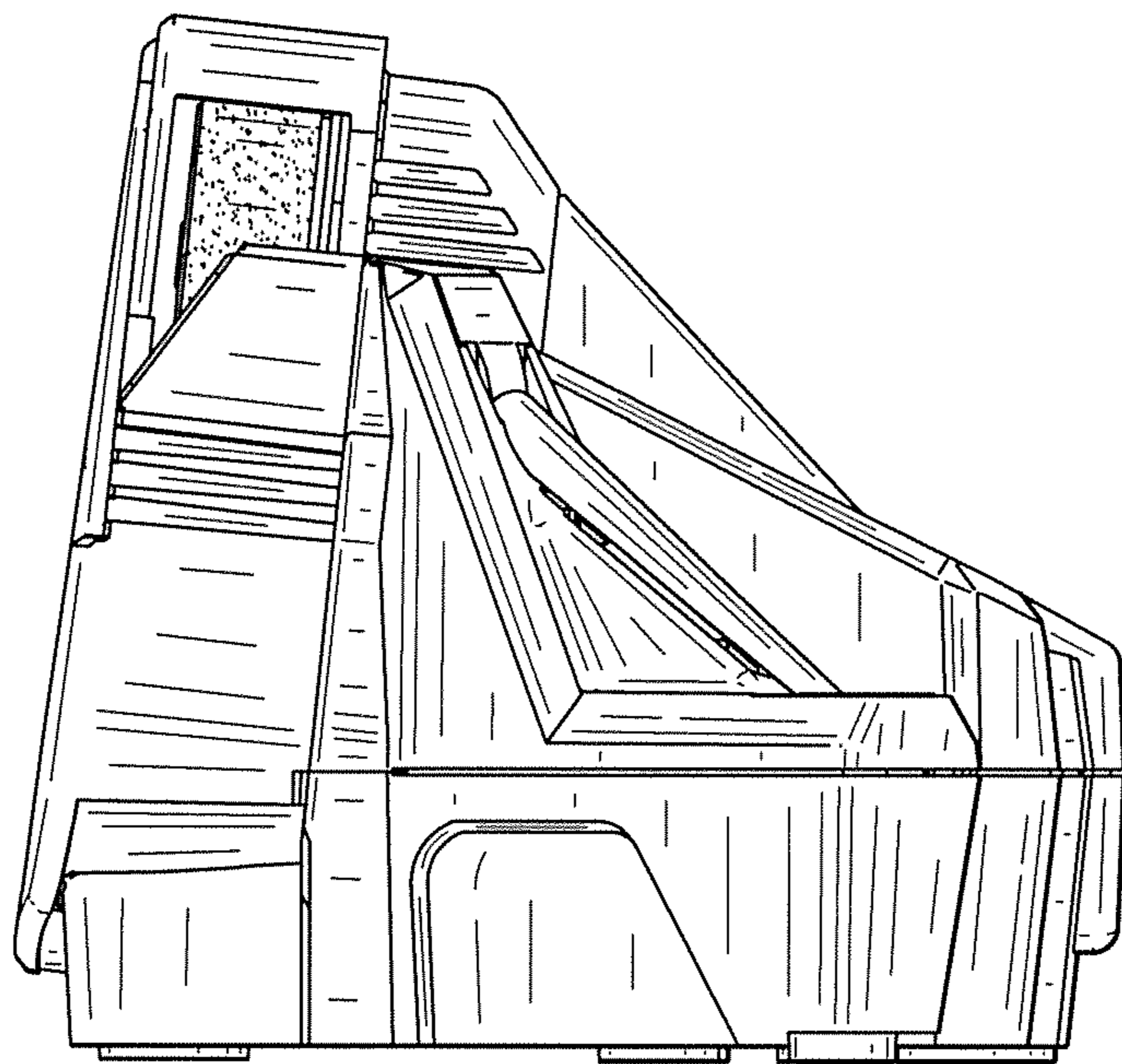


FIG. 5

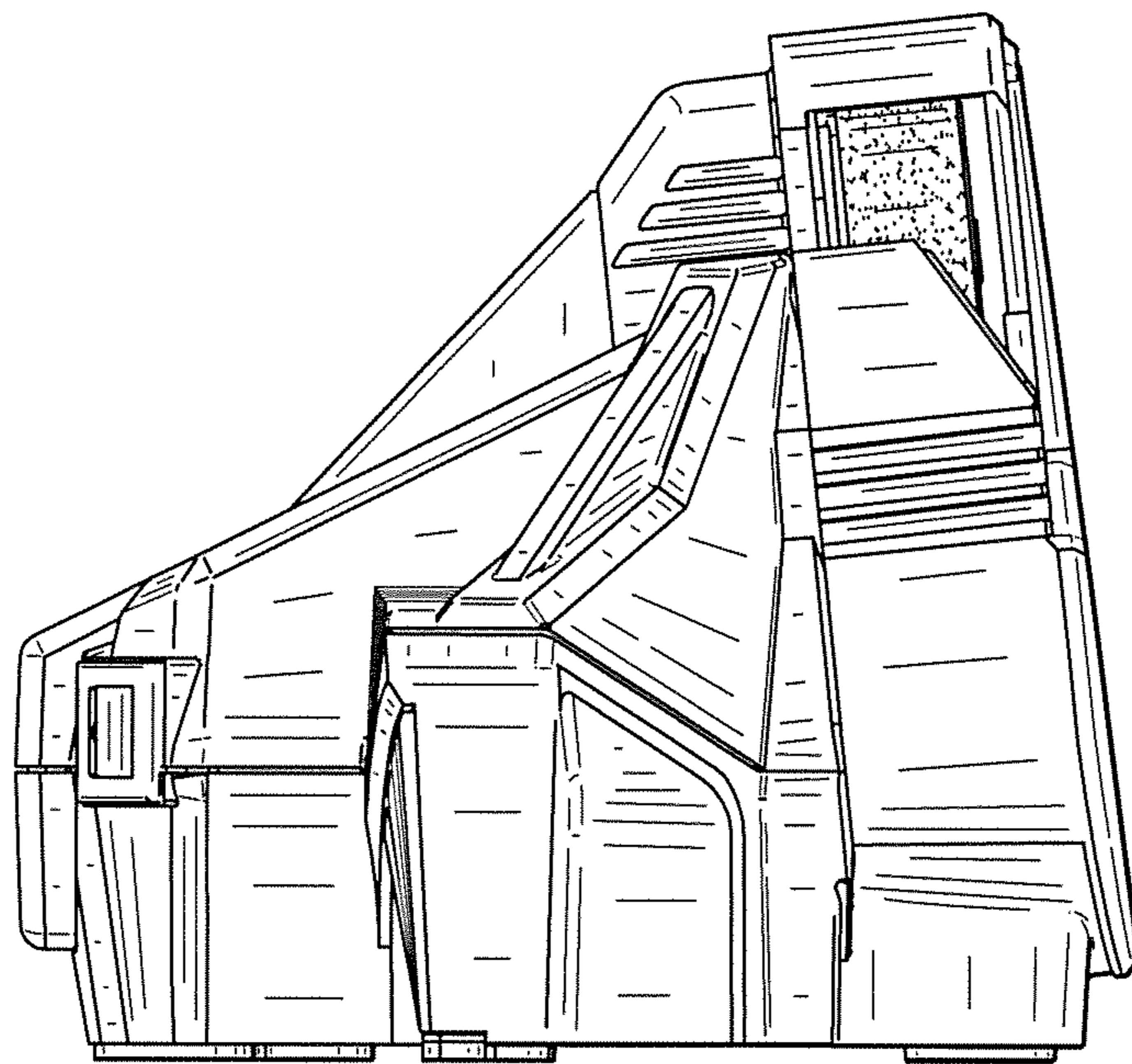


FIG. 6

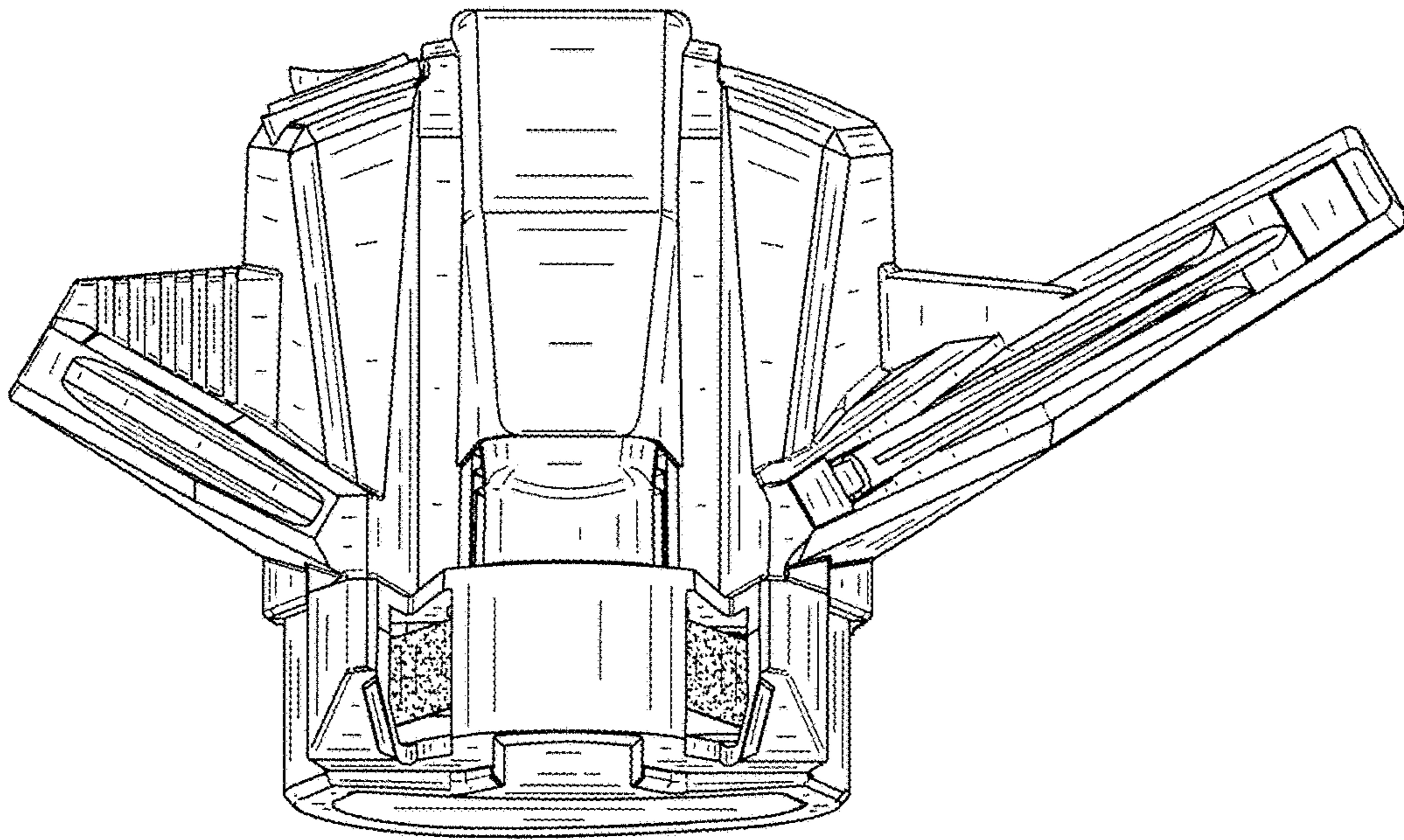


FIG. 7

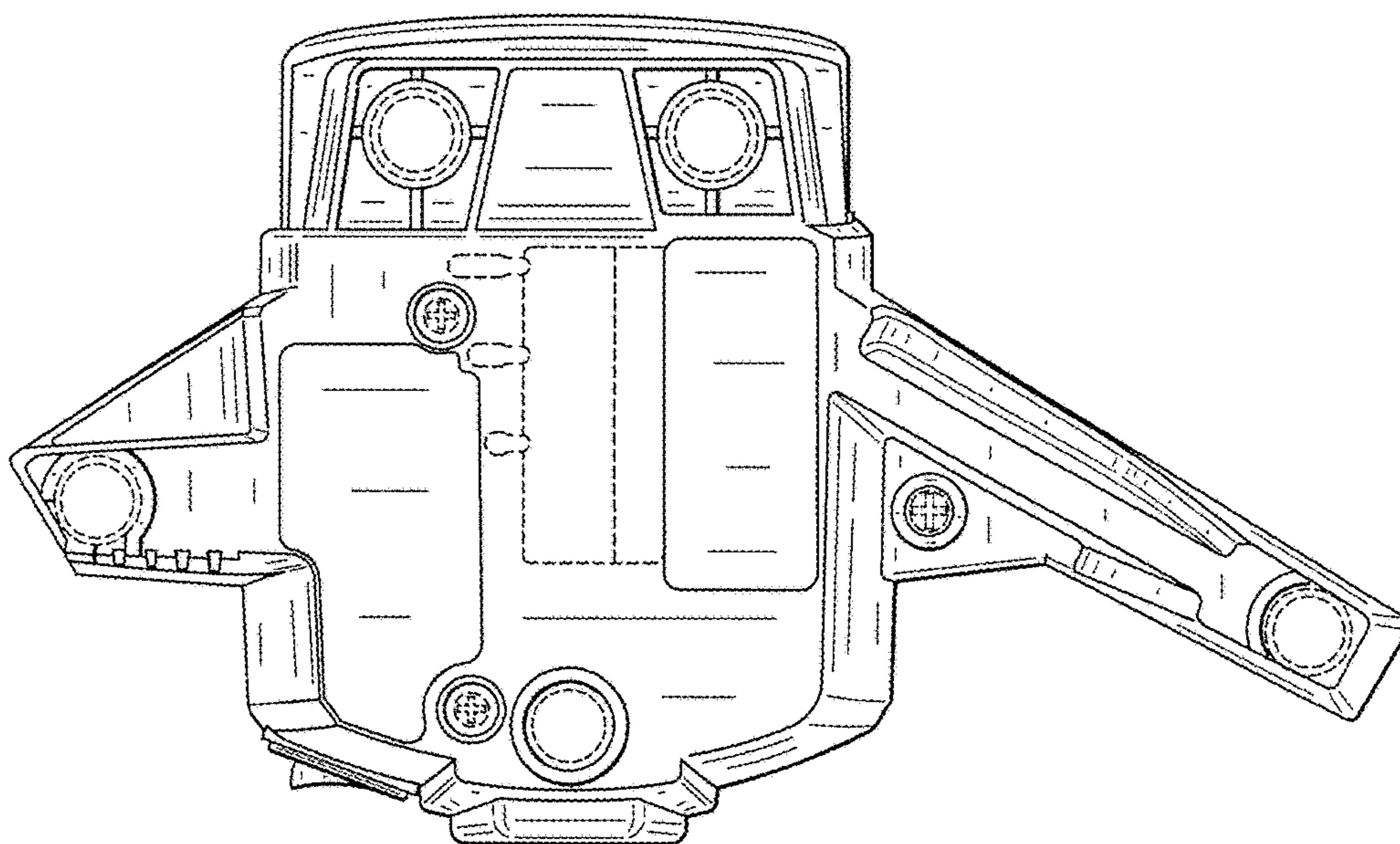


FIG. 8

