



US00D829068S

(12) **United States Design Patent** (10) **Patent No.:** **US D829,068 S**  
**Koval et al.** (45) **Date of Patent:** **\*\* Sep. 25, 2018**

(54) **STRAP WRENCH**

(71) Applicants: **Richard Edmund Koval**, Elkhorn, WI (US); **Nancy Carol Gawlik**, Janesville, WI (US)

(72) Inventors: **Richard Edmund Koval**, Elkhorn, WI (US); **Nancy Carol Gawlik**, Janesville, WI (US)

(\*\*) Term: **15 Years**

(21) Appl. No.: **29/586,359**

(22) Filed: **Dec. 2, 2016**

(51) **LOC (11) Cl.** ..... **08-05**

(52) **U.S. Cl.**  
USPC ..... **D8/21**

(58) **Field of Classification Search**  
USPC ..... D8/21-29, 105, 106, 107; 81/3.4, 3.41, 81/3.42, 3.43, 3.44, 65.2, 68, 69, 70, 81/176.1, 176.15, 176.2  
CPC ..... B25B 13/52; B25B 13/46  
See application file for complete search history.

(56) **References Cited**

U.S. PATENT DOCUMENTS

1,422,302 A	7/1922	Parker	
4,145,938 A	3/1979	Laird, Jr.	
D268,164 S	3/1983	Sandberg	
6,101,903 A	8/2000	Negley et al.	
7,040,198 B2 *	5/2006	Gelpi, Jr.	..... B25B 13/52 81/3.43
D707,508 S *	6/2014	O'Rourke	..... D8/21
2003/0126959 A1	7/2003	Khubani	
2006/0112792 A1	6/2006	Ping	
2007/0089569 A1	4/2007	Hernandez	
2013/0298508 A1	11/2013	Metcalf	

\* cited by examiner

*Primary Examiner* — Randall H Gholson

(74) *Attorney, Agent, or Firm* — Monty Simmons; Simmons Patents

(57) **CLAIM**

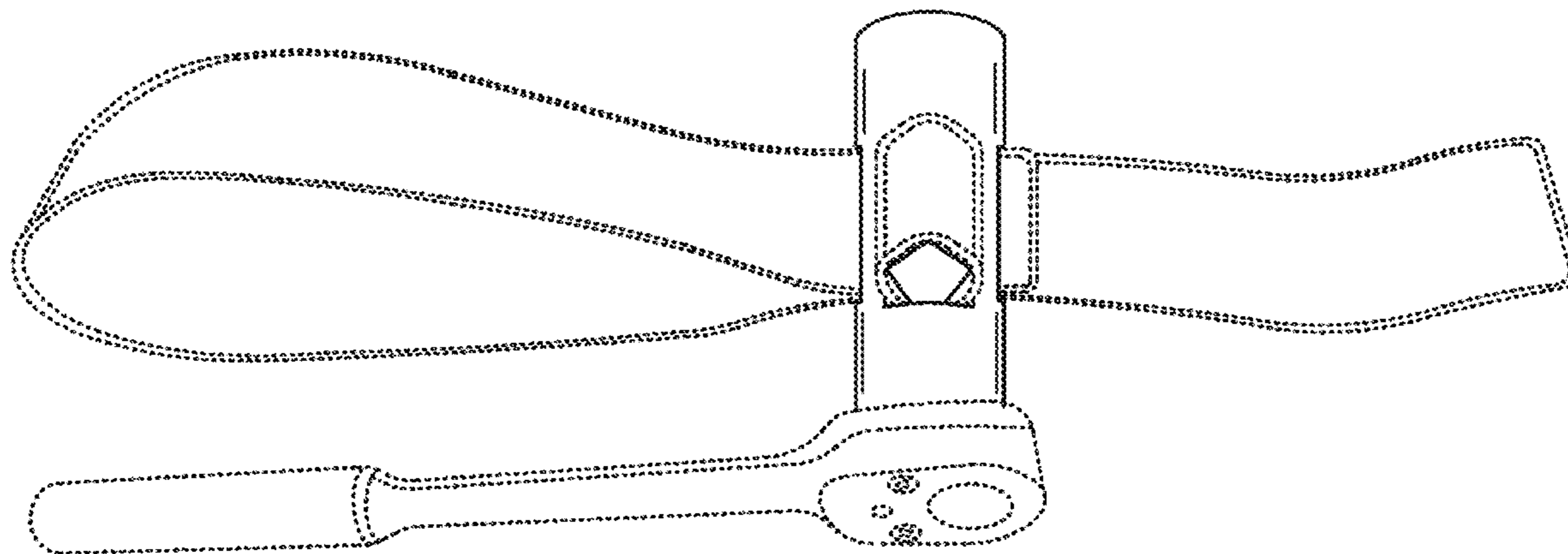
The ornamental design for a strap wrench, as shown and described.

**DESCRIPTION**

FIG. 1 is an elevated perspective view of a body element thereof;  
 FIG. 2 is a top plan view of a body element thereof;  
 FIG. 3 is a bottom plan view of a body element thereof;  
 FIG. 4 is a first side elevational view of a body element thereof;  
 FIG. 5 is a second side elevational view of a body element thereof;  
 FIG. 6 is an elevated perspective view of a body element and cradle element thereof;  
 FIG. 7 is a top plan view of a body element and cradle element thereof;  
 FIG. 8 is a bottom plan view of a body element and cradle element thereof;  
 FIG. 9 is a first side elevational view of a body element and cradle element thereof;  
 FIG. 10 is a first end elevational view of an assembled tool thereof;  
 FIG. 11 is a second end elevational view of an assembled tool thereof; and,  
 FIG. 12 is a side elevational perspective view of an assembled tool showing an exemplary wrench driver thereof.

The broken lines in a drawing illustrate environmental structure and portions of the design that forms no part of the claimed design.

**1 Claim, 11 Drawing Sheets**



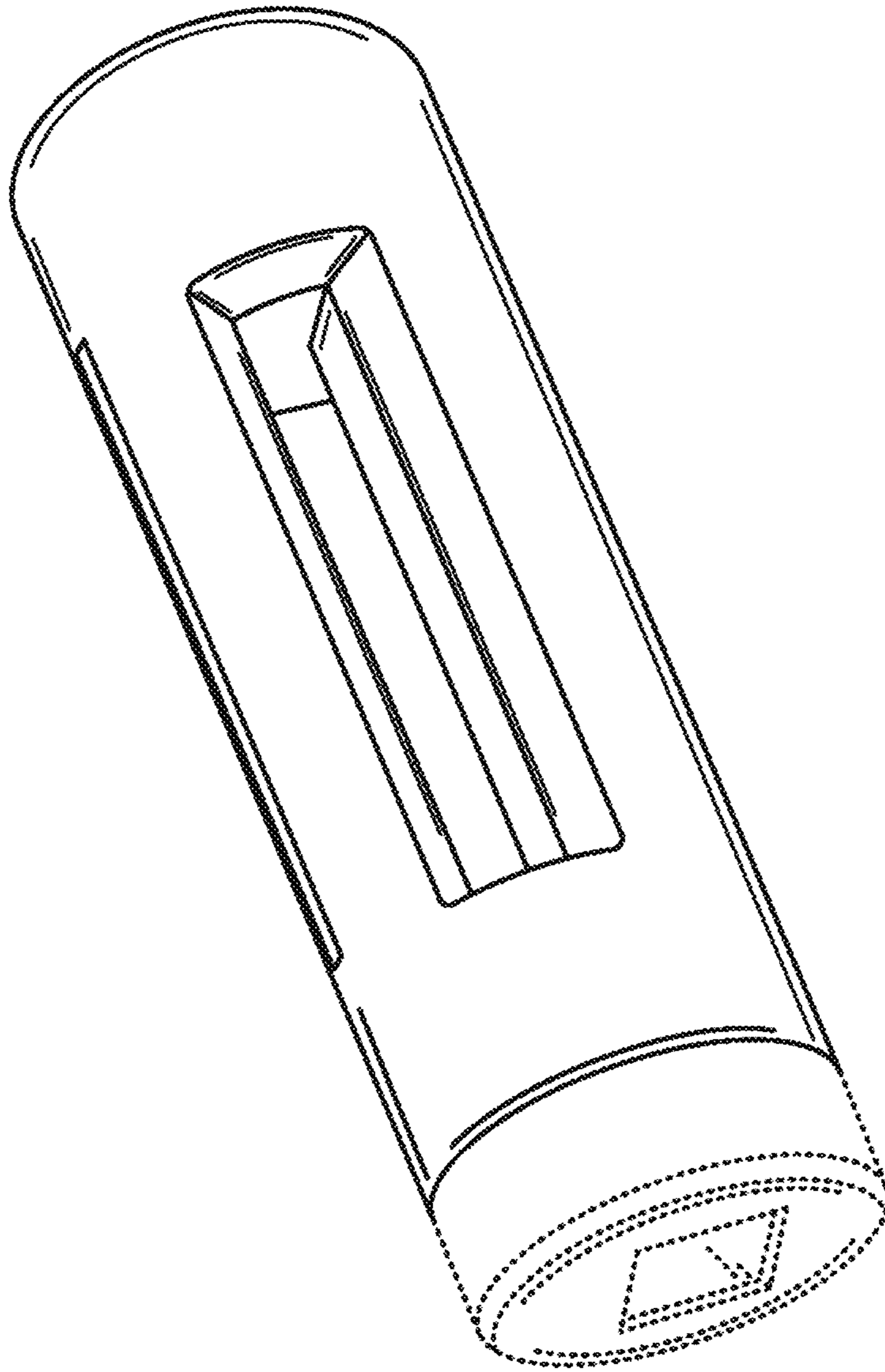


FIG. 1

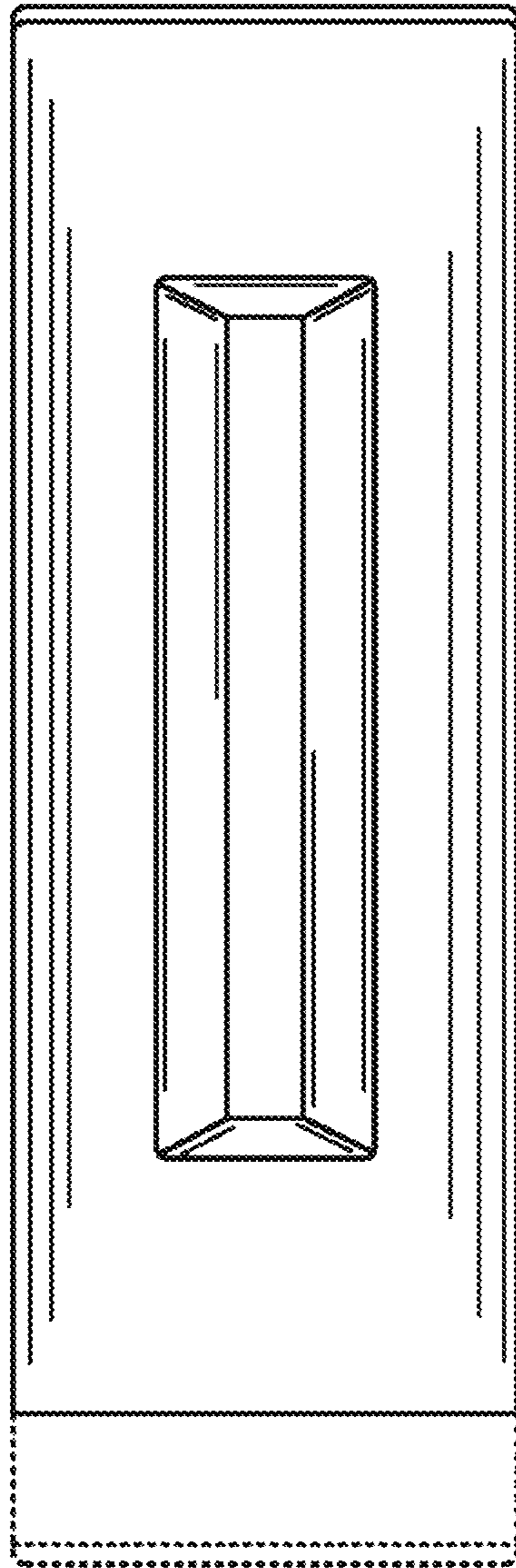


FIG. 2

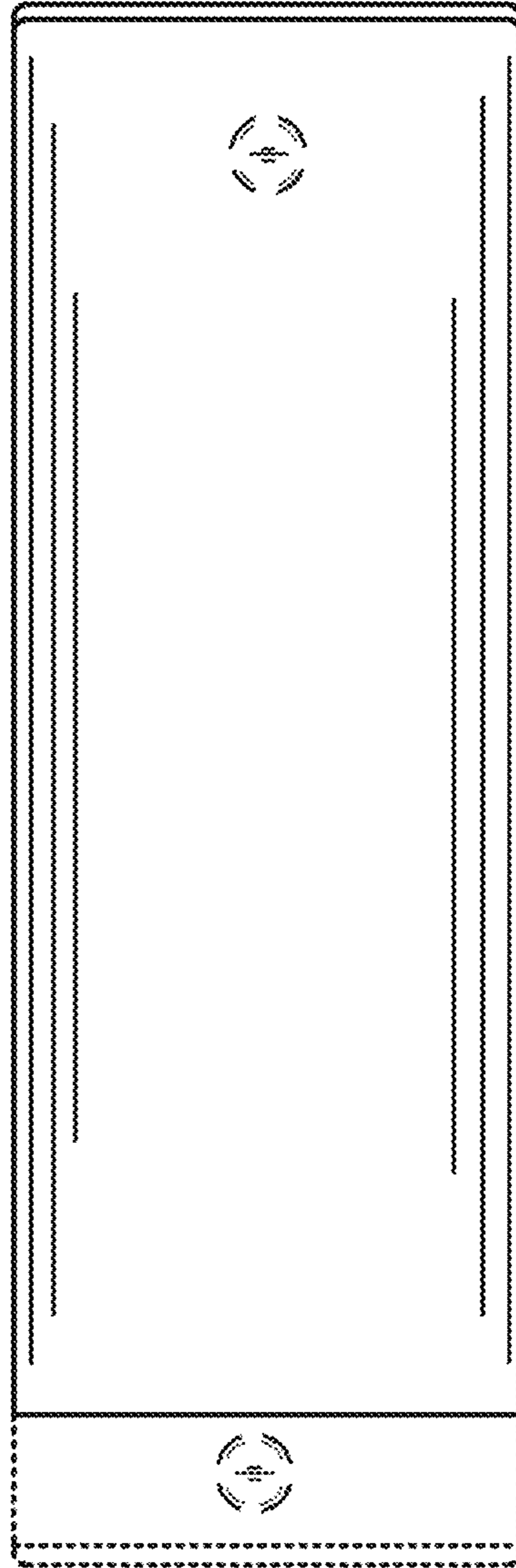


FIG. 3

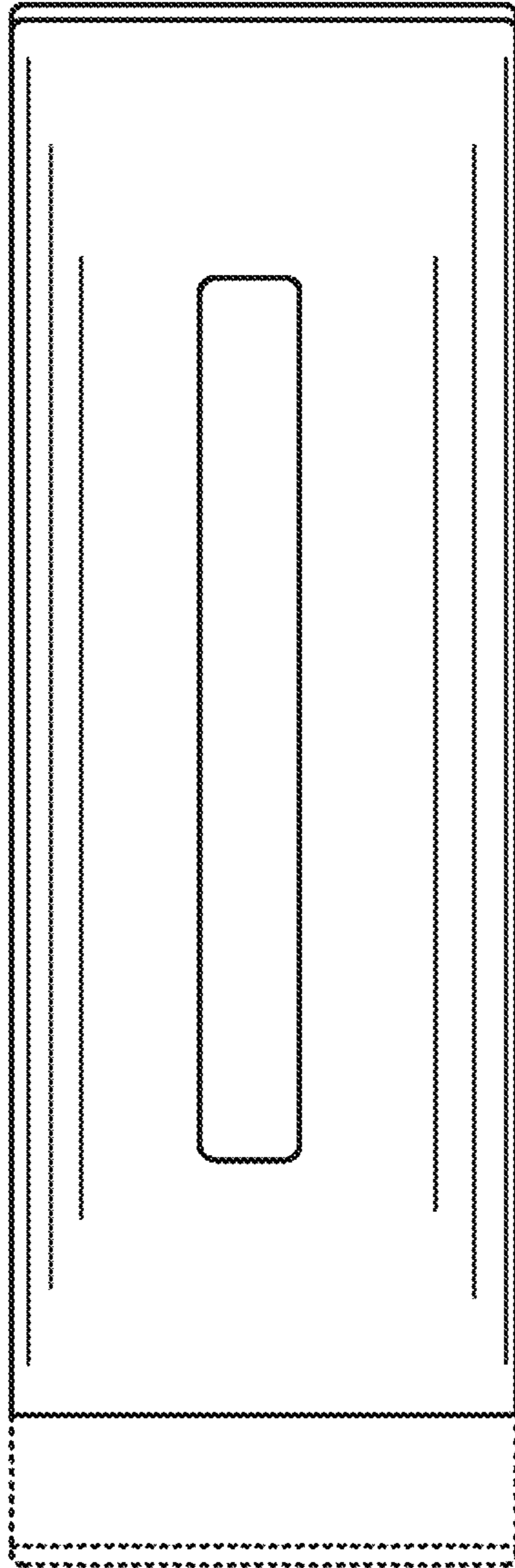


FIG. 4

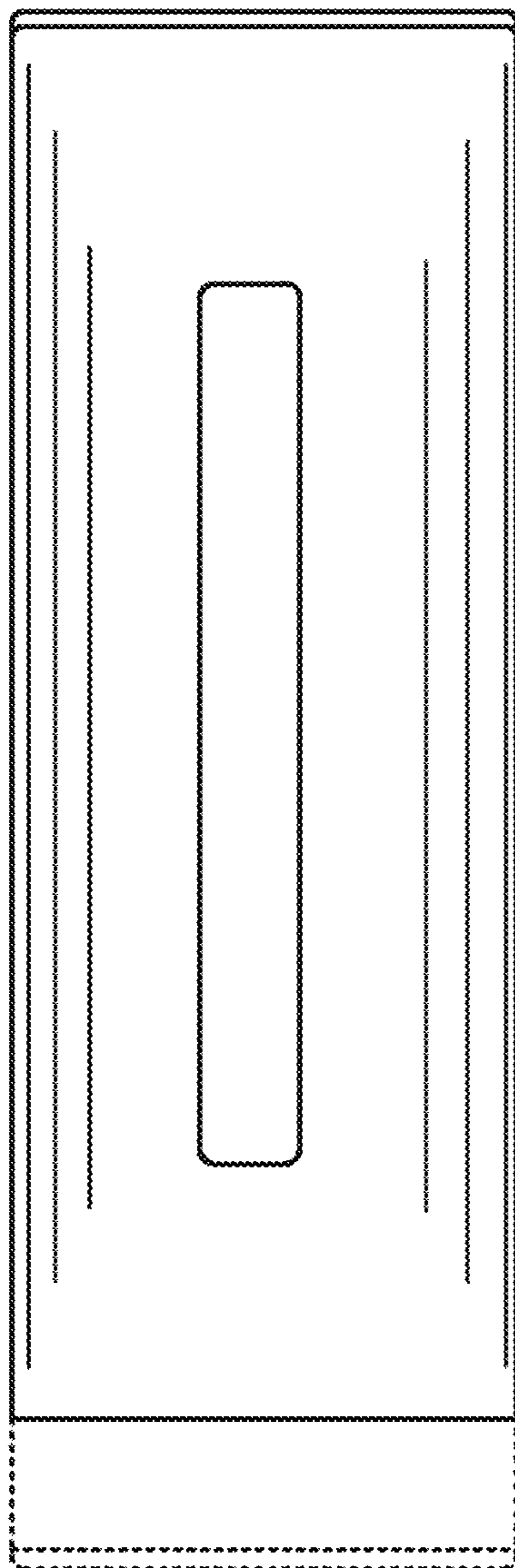


FIG. 5

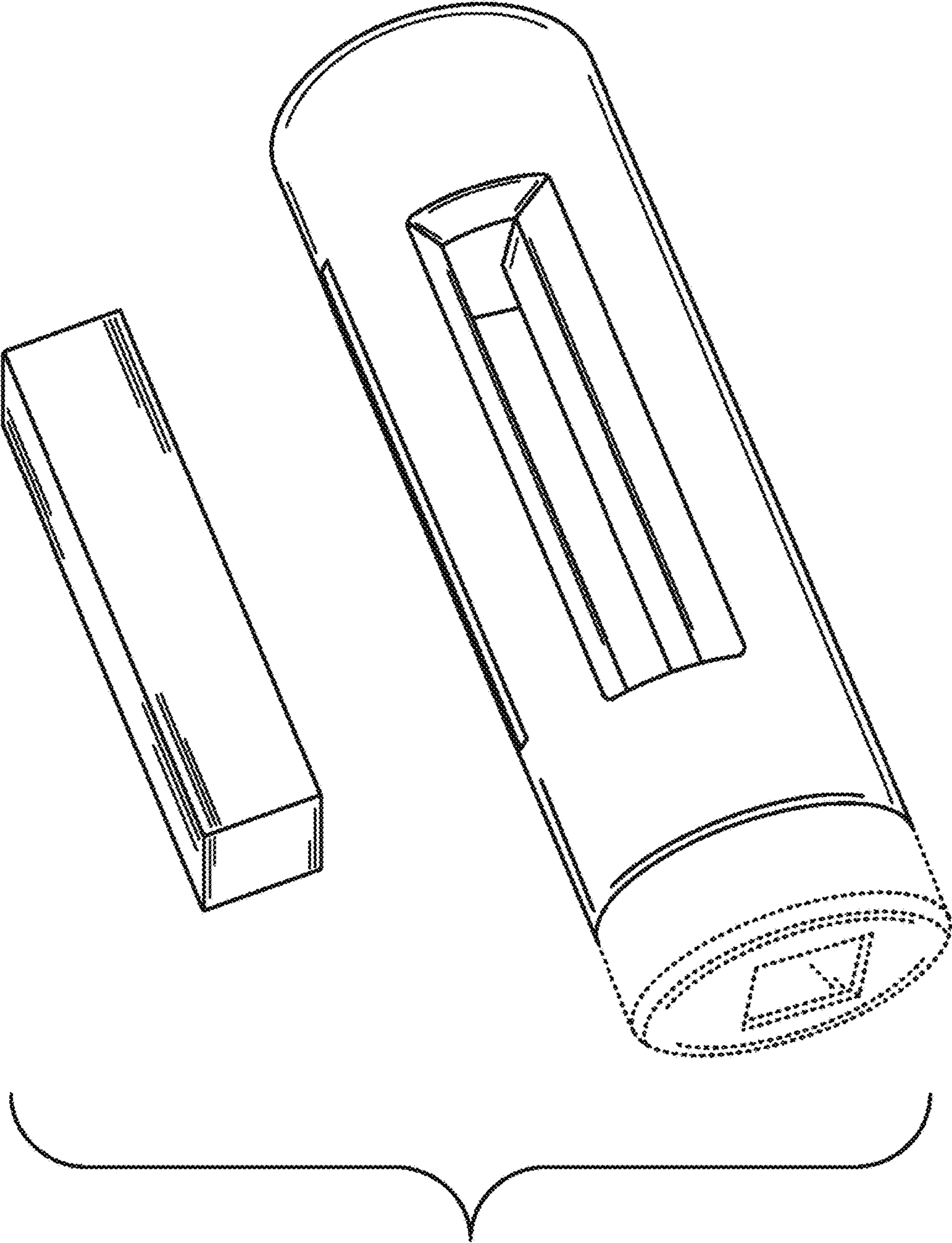


Fig. 6

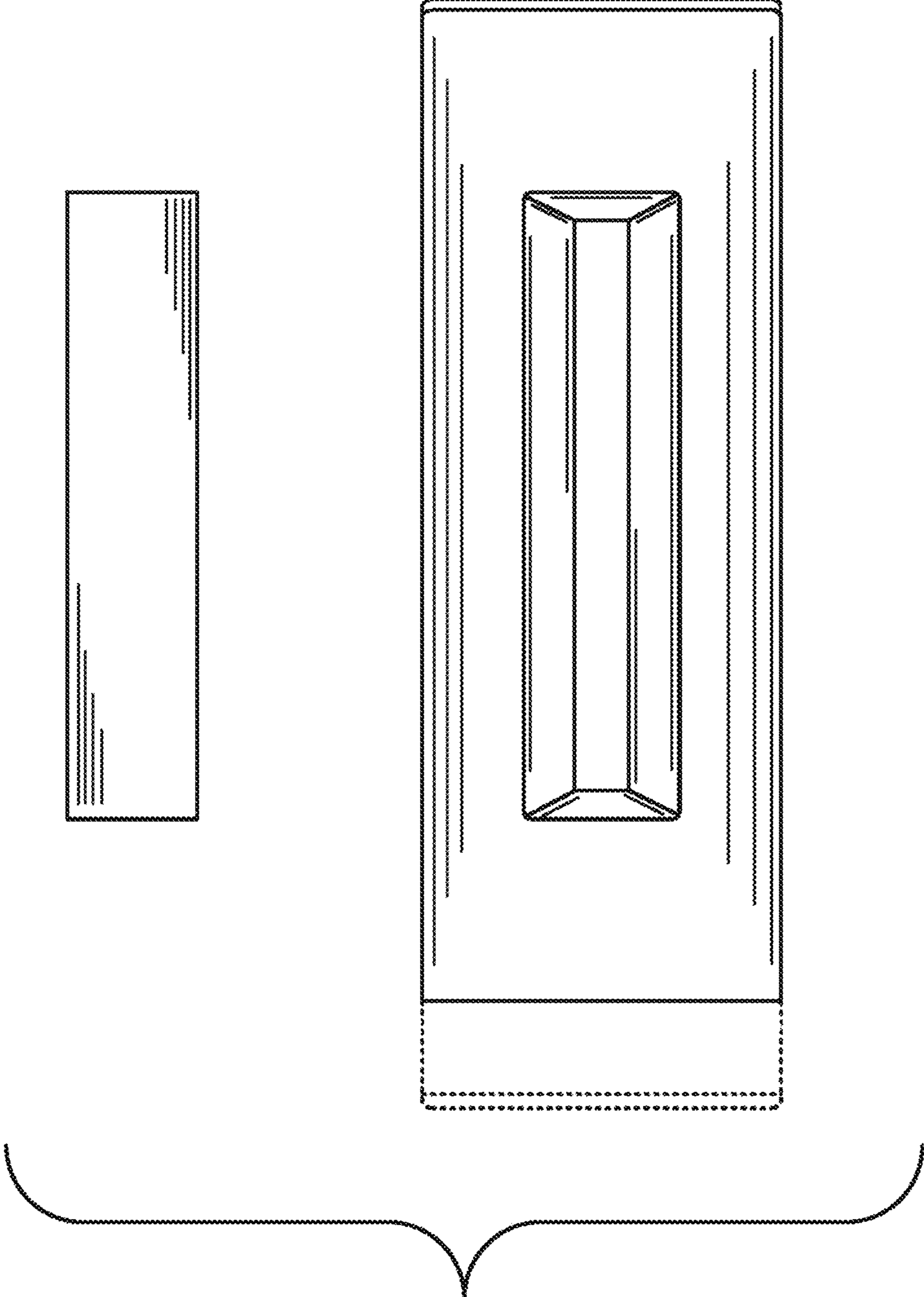


Fig. 7



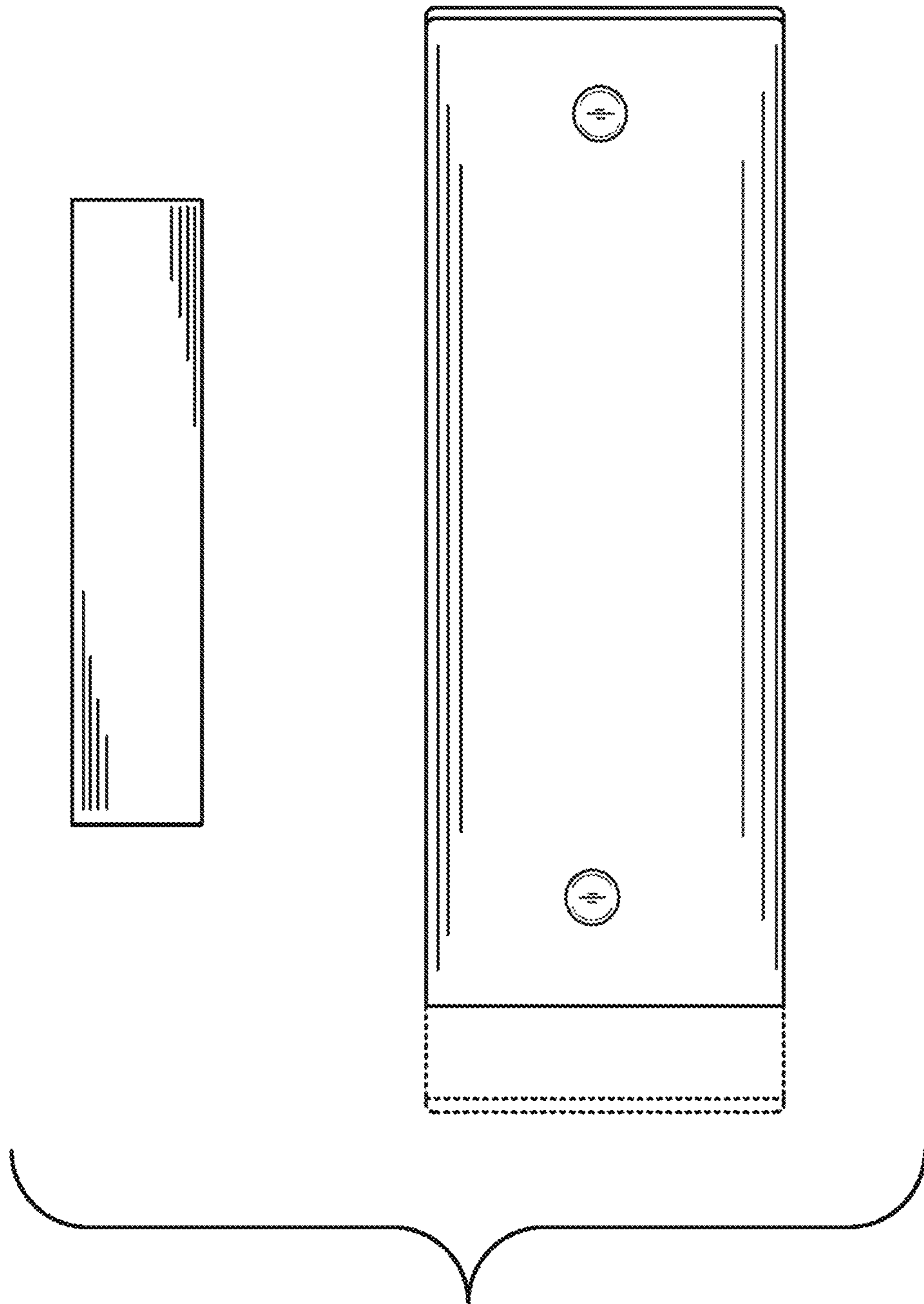


Fig. 8

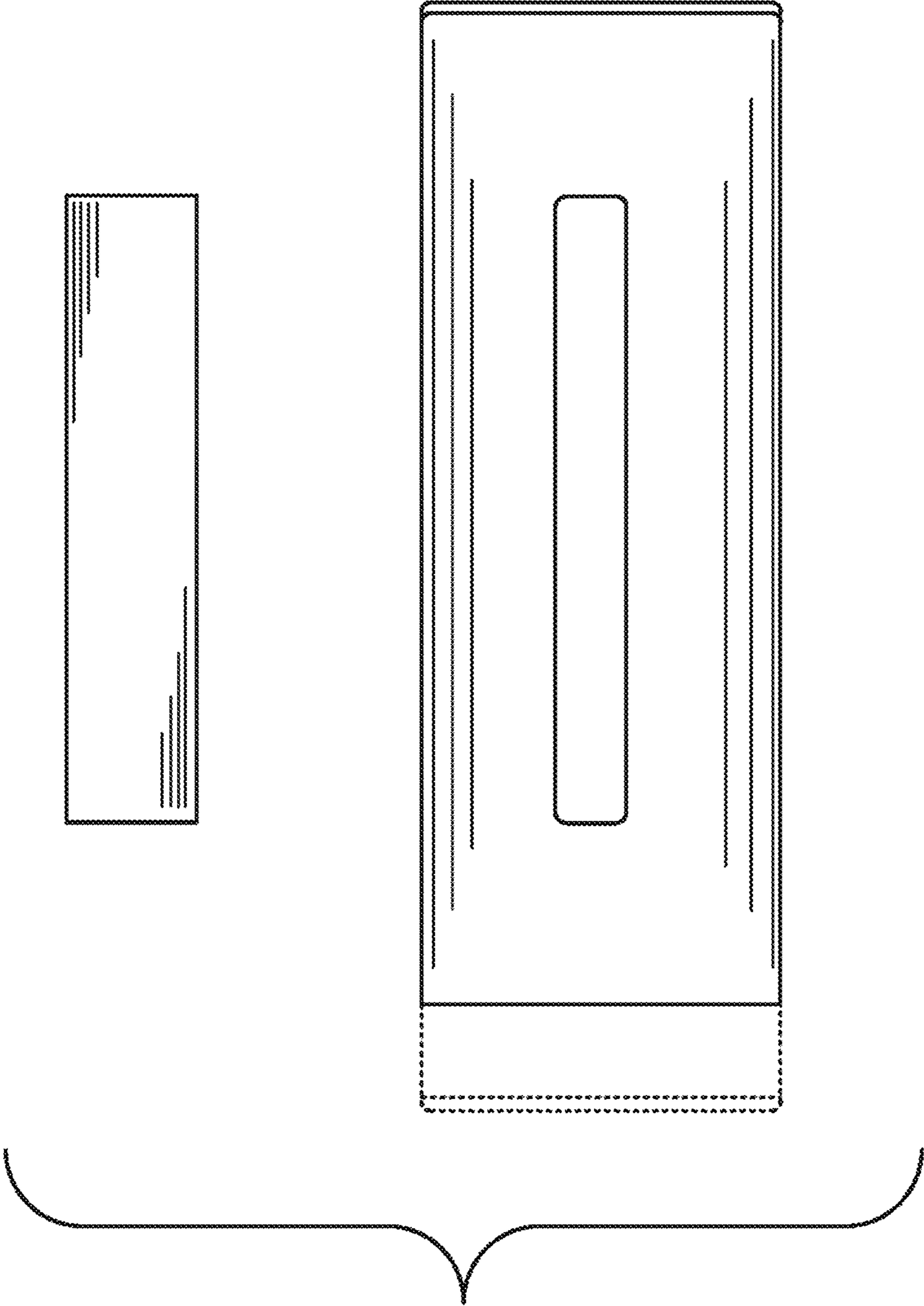


Fig. 9

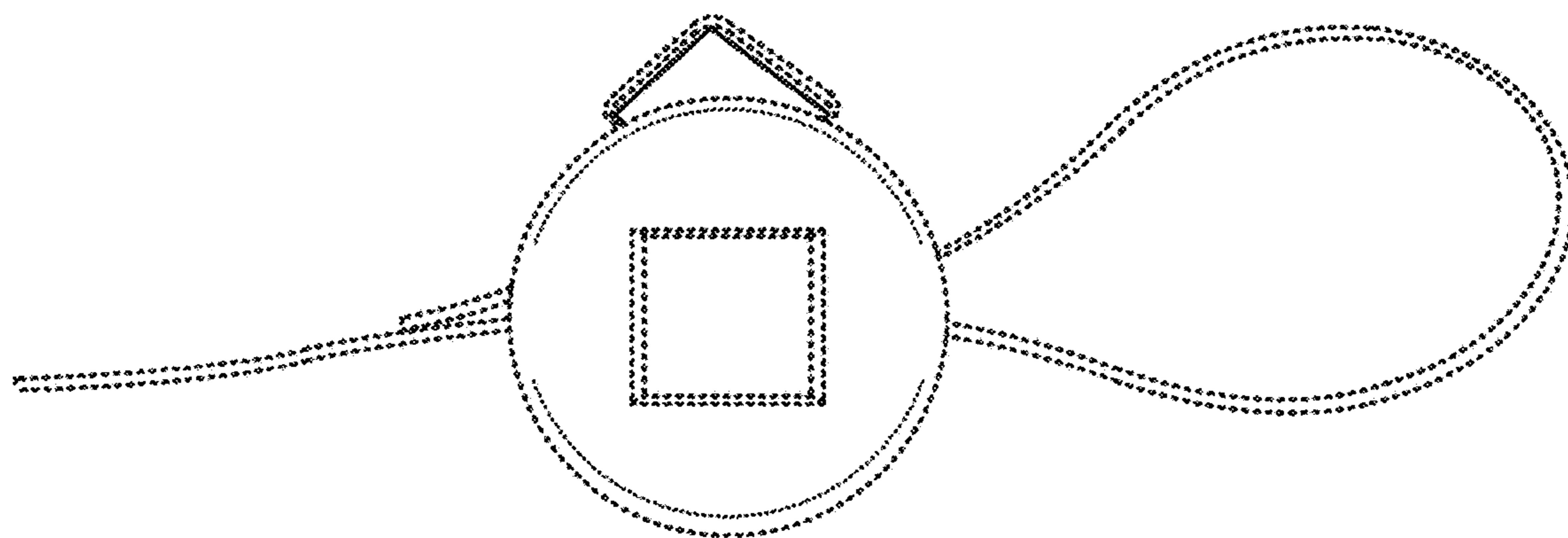


Fig. 10

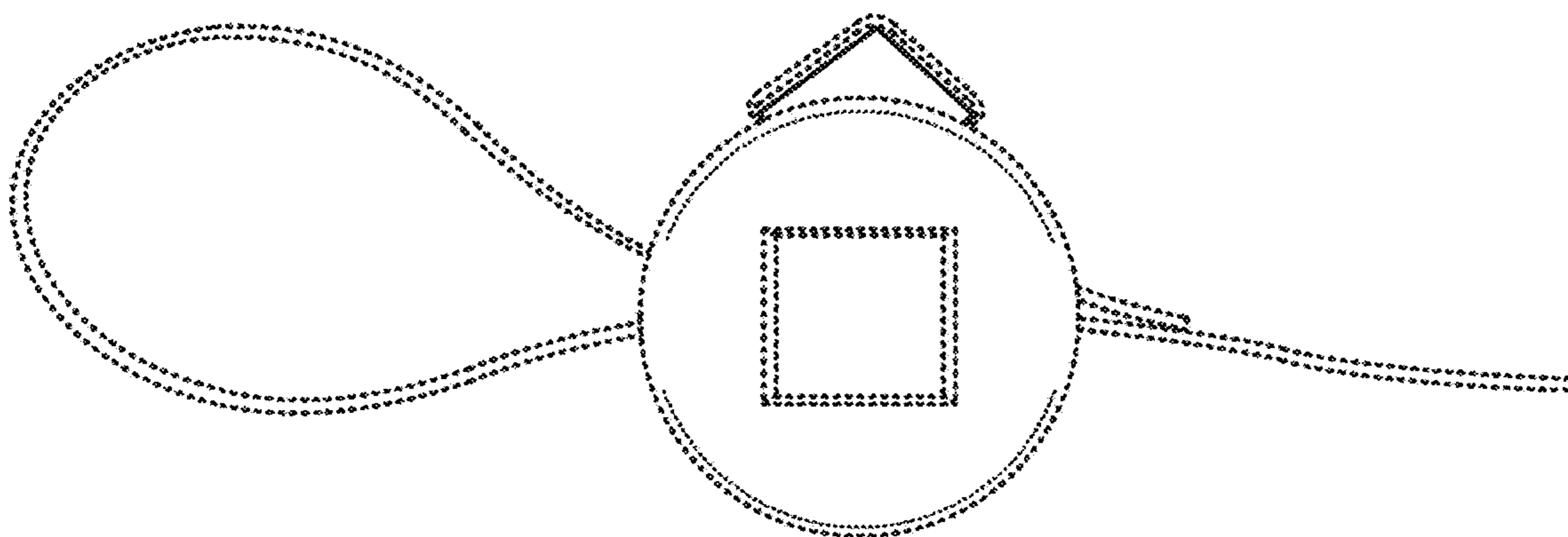


Fig. 11

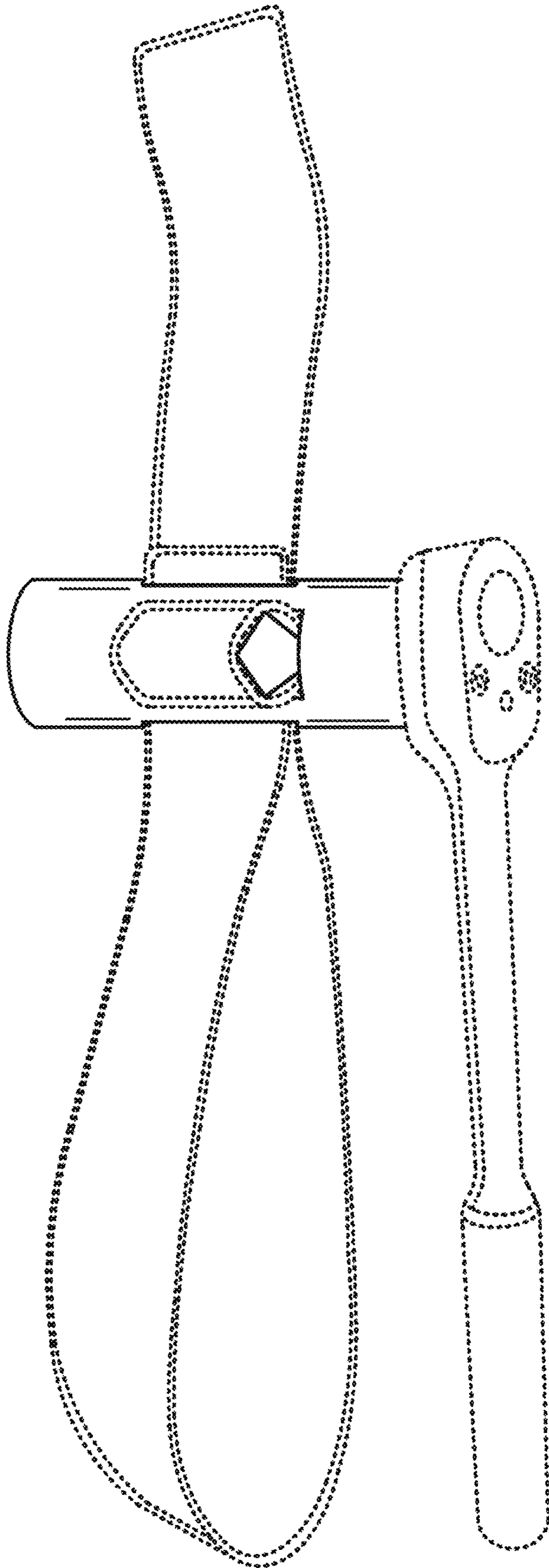


Fig. 12