



US00D829067S

(12) **United States Design Patent** (10) **Patent No.:** **US D829,067 S**  
**Amash et al.** (45) **Date of Patent:** **\*\* Sep. 25, 2018**

(54) **TELESCOPING TOOL WITH STICK HANDLE**

(71) Applicant: **Charles Amash Imports, Inc.**,  
Wayland, MI (US)

(72) Inventors: **Elias Amash**, Caledonia, MI (US);  
**Mike McLeod**, Caledonia, MI (US)

(73) Assignee: **CHARLES AMASH IMPORTS, INC.**,  
Wayland, MI (US)

(\*\*) Term: **15 Years**

(21) Appl. No.: **29/587,789**

(22) Filed: **Dec. 15, 2016**

(51) **LOC (11) Cl.** ..... **08-05**

(52) **U.S. Cl.**  
USPC ..... **D8/14; D8/107**

(58) **Field of Classification Search**  
USPC ..... D8/14, 107, 105, 300, 303; D7/395;  
D22/118, 119; 294/210, 11, 9, 175  
CPC ... A01K 97/14; B25J 1/00; A47J 43/28; A47J  
43/283  
See application file for complete search history.

(56) **References Cited**

**U.S. PATENT DOCUMENTS**

D14,544 S	1/1884	Smith
998,407 A	7/1911	Schwandt
1,022,962 A	4/1912	Miller
1,161,654 A	11/1915	Gomber
1,170,408 A	2/1916	Bruen
1,511,545 A	10/1924	Wallin
1,541,671 A	6/1925	Tomlinson
1,772,181 A	8/1930	Hightower

(Continued)

**OTHER PUBLICATIONS**

U.S. Appl. No. 29/438,543, U.S. Pat. No. D721552, Sheryl L. Lane,  
Issued Jan. 27, 2015.

(Continued)

*Primary Examiner* — Philip S Hyder  
*(74) Attorney, Agent, or Firm* — Honigman Miller  
Schwartz and Cohn LLP; Douglas H. Siegel; Jonathan P.  
O'Brien

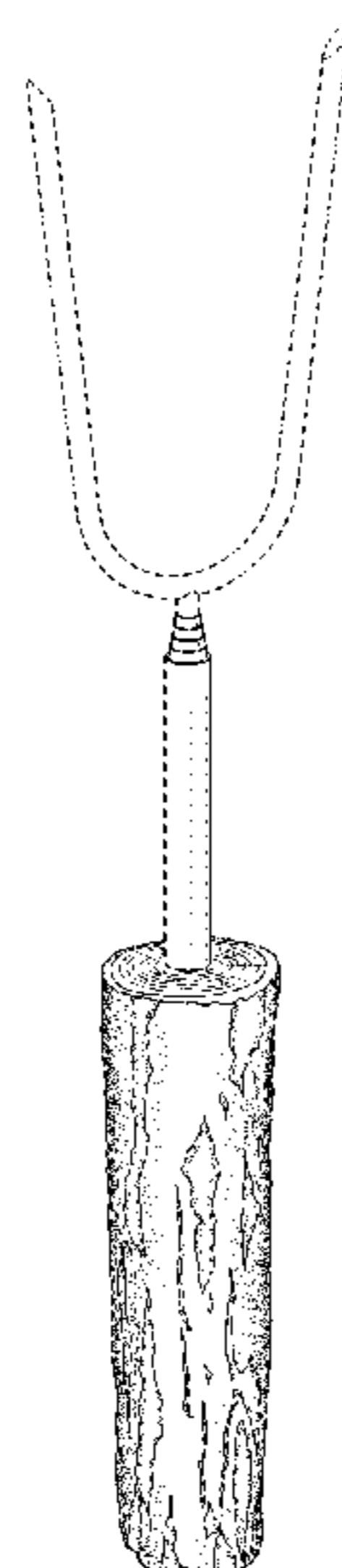
(57) **CLAIM**

The ornamental design for a telescoping tool with stick handle, as shown and described herein.

**DESCRIPTION**

FIG. 1 is a perspective view of a telescoping tool with stick handle;  
FIG. 2 is a front elevational view thereof;  
FIG. 3 is a rear elevational view thereof;  
FIG. 4 is a right-side elevational view thereof;  
FIG. 5 is a left-side elevational view thereof;  
FIG. 6 is a top plan view thereof; and  
FIG. 7 is a bottom plan view thereof.  
FIG. 8 is a perspective view of a second embodiment of the telescoping tool with stick handle;  
FIG. 9 is a front elevational view thereof;  
FIG. 10 is a back elevational view thereof;  
FIG. 11 is a right-side elevational view thereof;  
FIG. 12 is a left-side elevational view thereof;  
FIG. 13 is a top plan thereof; and  
FIG. 14 is a bottom plant view thereof.  
FIG. 15 is a perspective view of a third embodiment of the telescoping tool with stick handle;  
FIG. 16 is a front elevational view thereof;  
FIG. 17 is a back elevational view thereof;  
FIG. 18 is a right-side elevational view thereof;  
FIG. 19 is a left-side elevational view thereof;  
FIG. 20 is a top plan thereof; and,  
FIG. 21 is a bottom plan view thereof.  
The broken lines depict portions of the telescoping tool with stick handle in which the design is embodied that are not considered part of the claimed design.

**1 Claim, 9 Drawing Sheets**



(56)

References Cited

U.S. PATENT DOCUMENTS

1,861,526 A 6/1932 Gordon  
 D91,616 S 2/1934 Drake  
 1,974,027 A 9/1934 Nick  
 D114,893 S 5/1939 Goddeyne  
 D130,020 S 10/1941 Foley  
 2,377,439 A 6/1945 Mueller  
 2,891,347 A 6/1959 Swint  
 2,911,250 A 11/1959 Lossius  
 2,934,851 A 5/1960 Grish  
 3,384,408 A \* 5/1968 Furzey ..... B25B 9/00  
 294/65.5  
 3,474,833 A \* 10/1969 Garrette, Jr. .... F16B 7/105  
 138/120  
 D260,960 S 9/1981 Malia, Jr.  
 5,381,319 A \* 1/1995 Shiao ..... B25B 9/00  
 135/910  
 5,401,071 A 3/1995 Tummino et al.  
 D366,196 S 1/1996 Gulu et al.  
 5,487,576 A \* 1/1996 DuVivier ..... B25B 9/00  
 294/210  
 5,647,623 A \* 7/1997 Shiao ..... B25J 1/04  
 294/65.5  
 D392,457 S 3/1998 Smith  
 D395,988 S \* 7/1998 Badour ..... D7/683  
 5,775,207 A \* 7/1998 Warren ..... A47J 43/283  
 99/394

D398,203 S 9/1998 Naccarato et al.  
 D413,497 S \* 9/1999 Coleman, Jr. .... D8/14  
 D429,977 S 8/2000 Claxton  
 D466,280 S 12/2002 Ko  
 6,499,778 B2 \* 12/2002 Boulay ..... B25B 9/00  
 254/134.3 R  
 D487,680 S 3/2004 Sickler et al.  
 D496,835 S \* 10/2004 Scott ..... D7/683  
 D520,854 S \* 5/2006 Barrett ..... D8/307  
 D565,367 S 4/2008 Buscher  
 D568,698 S 5/2008 Buscher  
 D670,150 S 11/2012 Angel et al.  
 D702,094 S \* 4/2014 Westrick ..... D7/683  
 D711,706 S \* 8/2014 Votolato ..... D8/14  
 D712,004 S 8/2014 Palmer  
 D721,552 S 1/2015 VanderWoude

OTHER PUBLICATIONS

U.S. Appl. No. 29/526,077, Catherine R. Oliver-Garcia, Pending.  
 A photograph of a telescoping pitchfork sold at least as early as May 5, 2014.  
 Two Prong Telescoping Pitchfork, offered for sale prior to Nov. 30, 2012.  
 Photos of swatter product, believed to have been commercially available before May 6, 2014.

\* cited by examiner

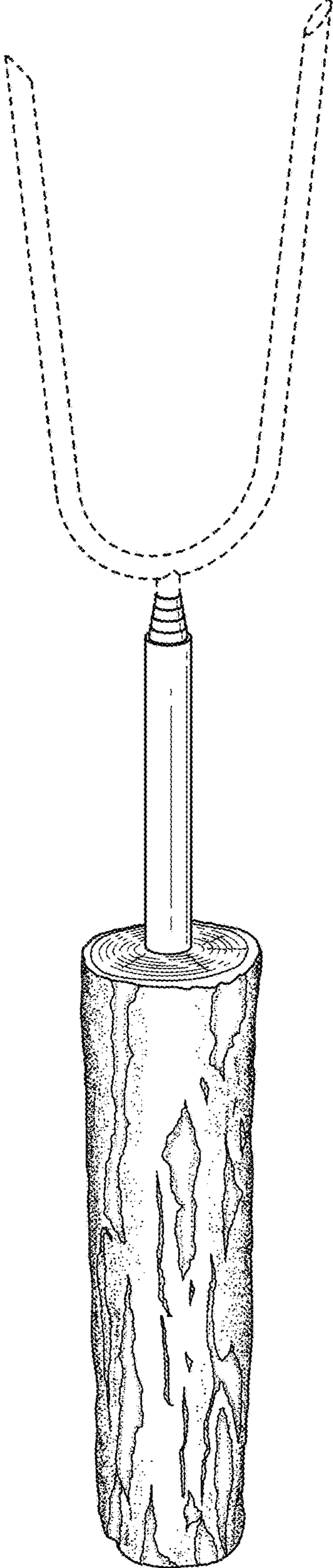
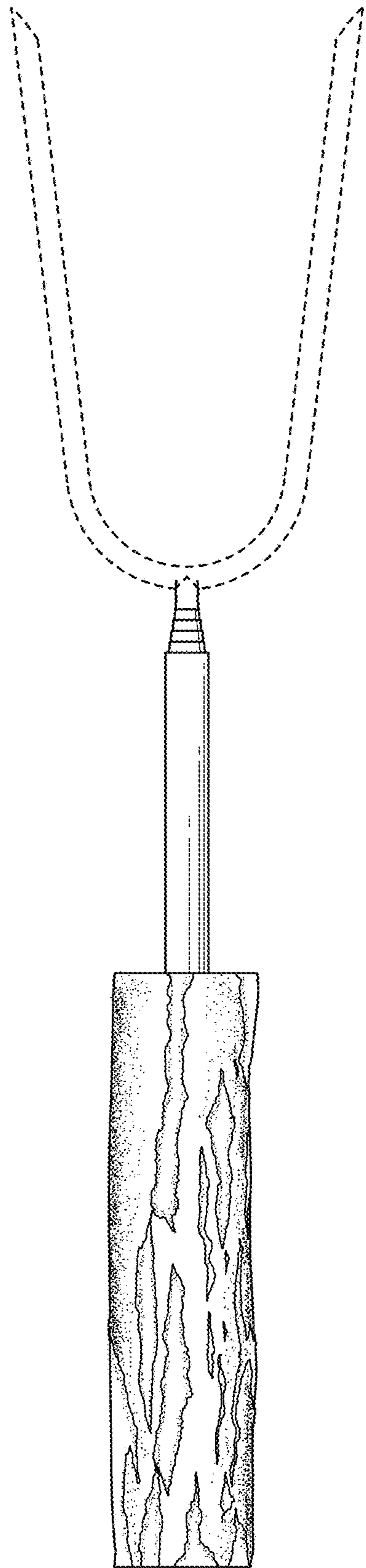
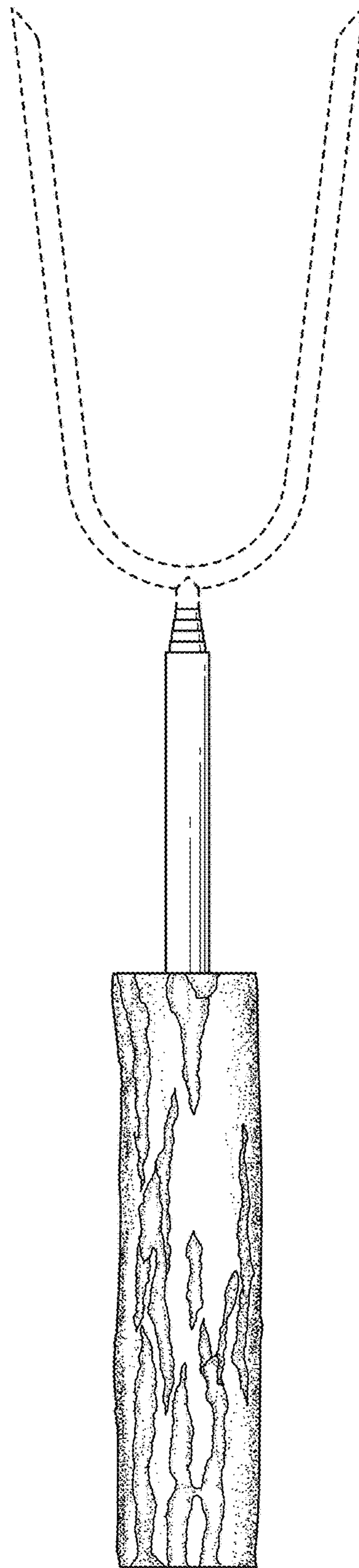


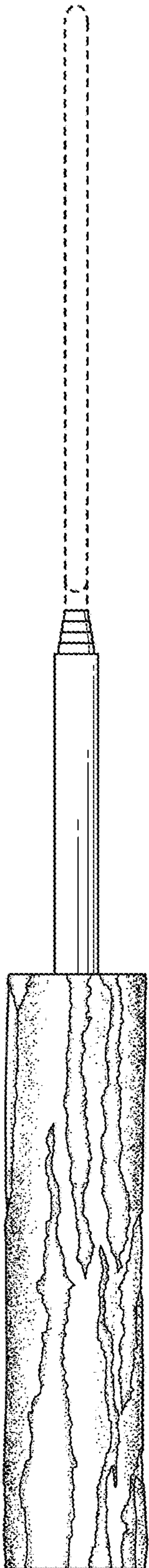
FIG. 1



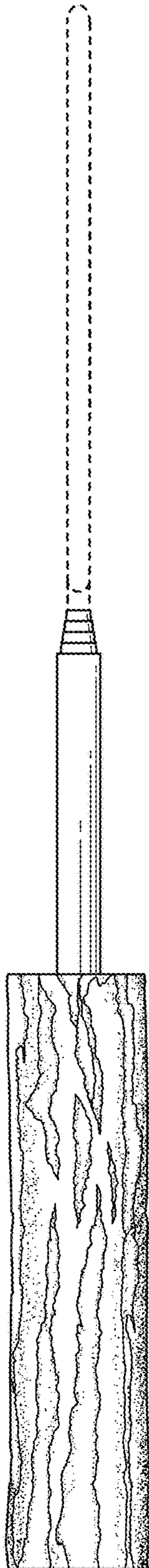
**FIG. 2**



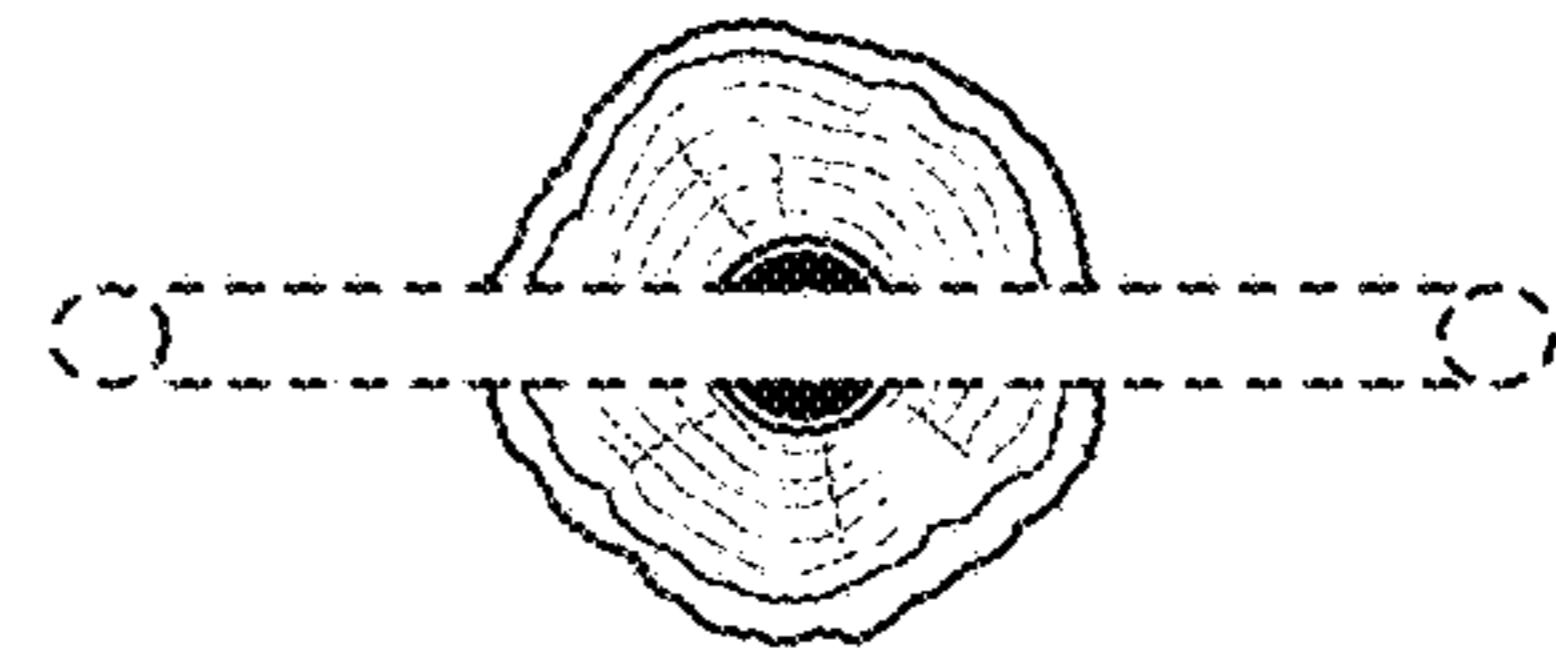
**FIG. 3**



**FIG. 4**



**FIG. 5**



**FIG. 6**



**FIG. 7**

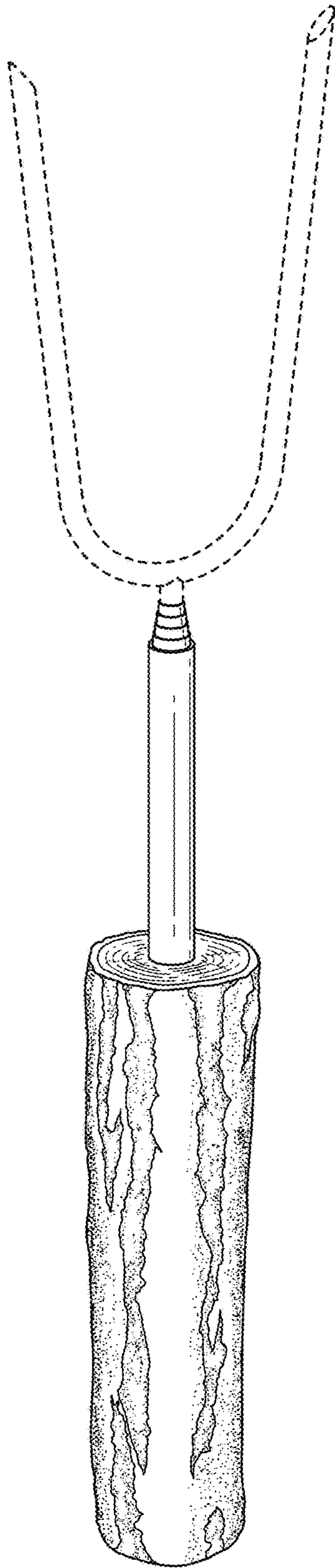


FIG. 8

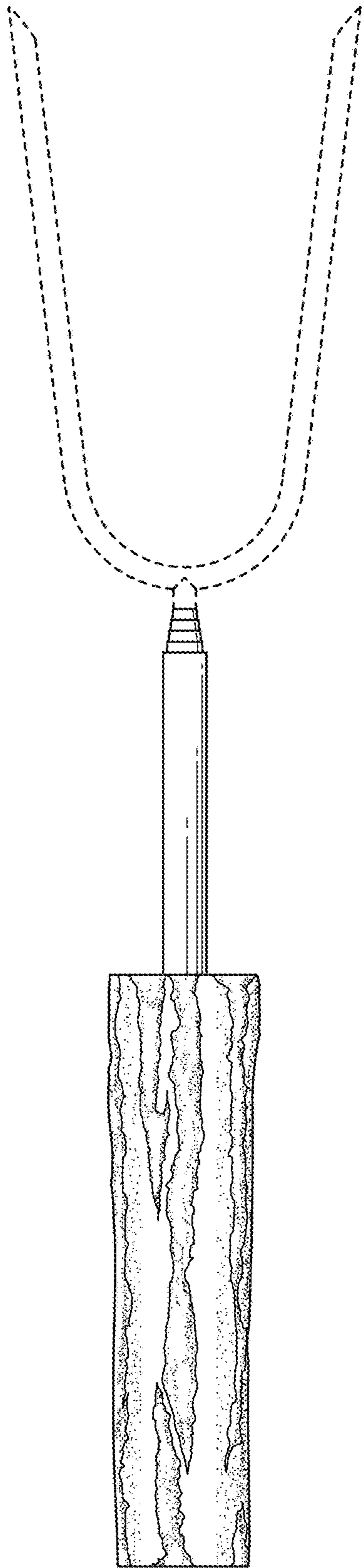


FIG. 9

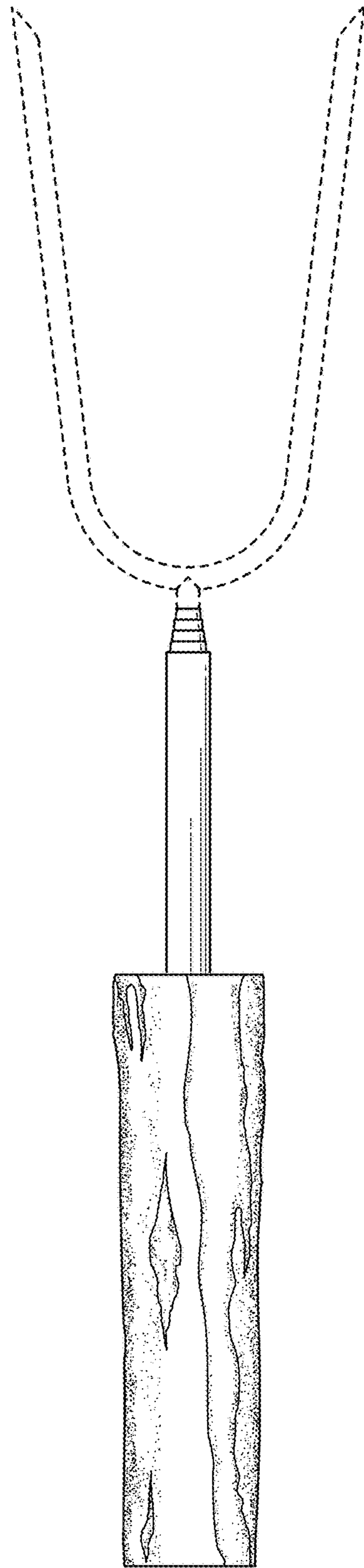


FIG. 10

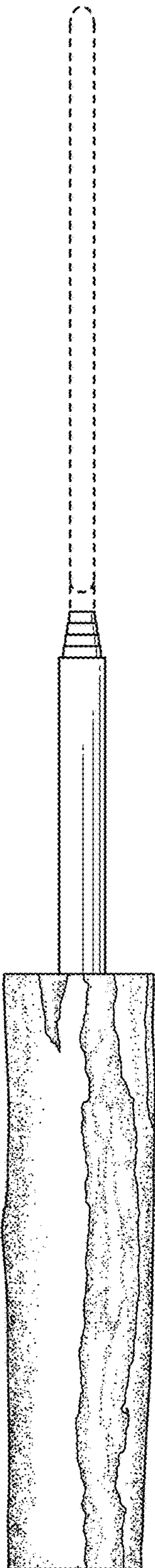


FIG. 11

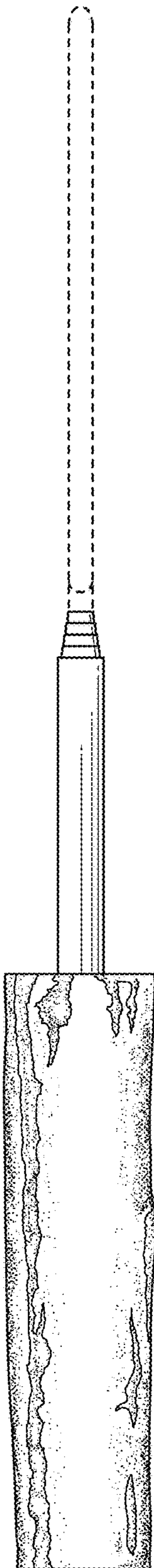


FIG. 12

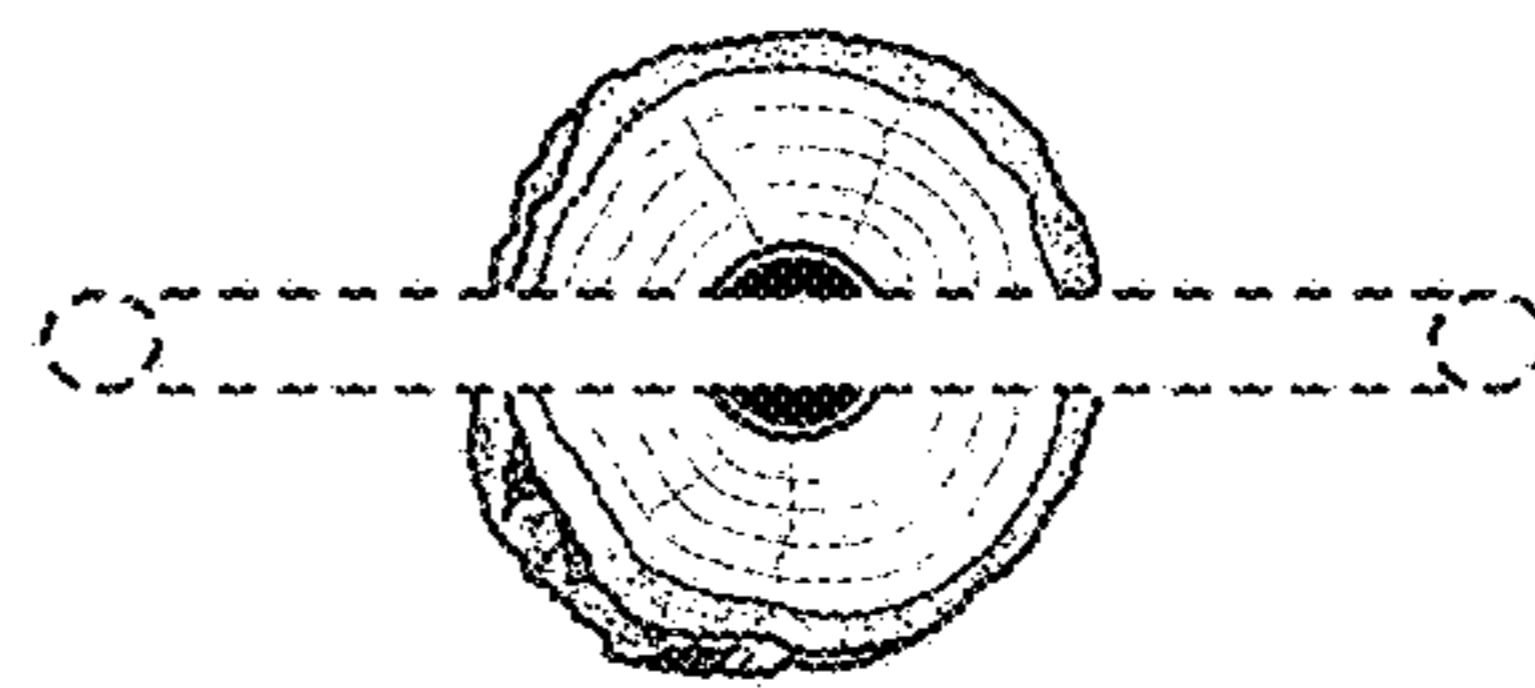


FIG. 13

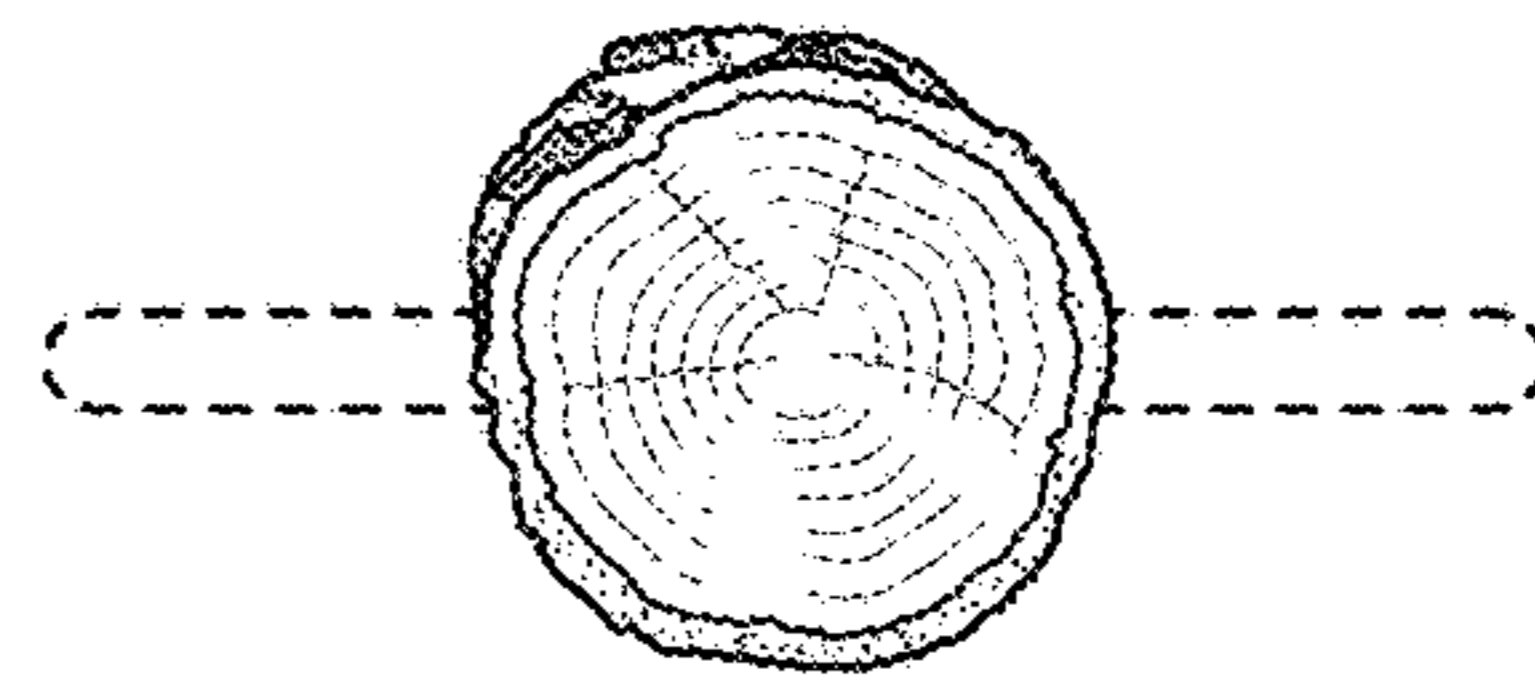


FIG. 14



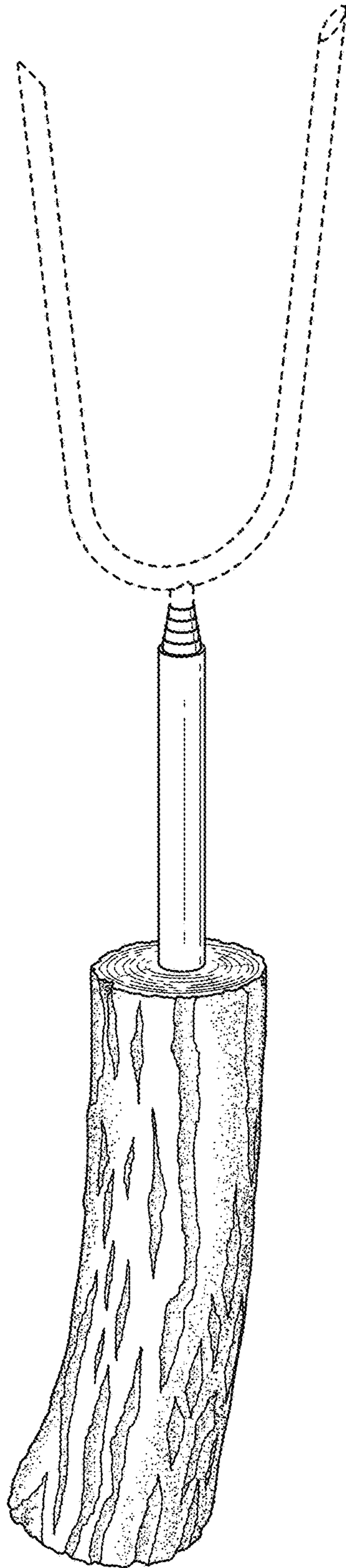


FIG. 15

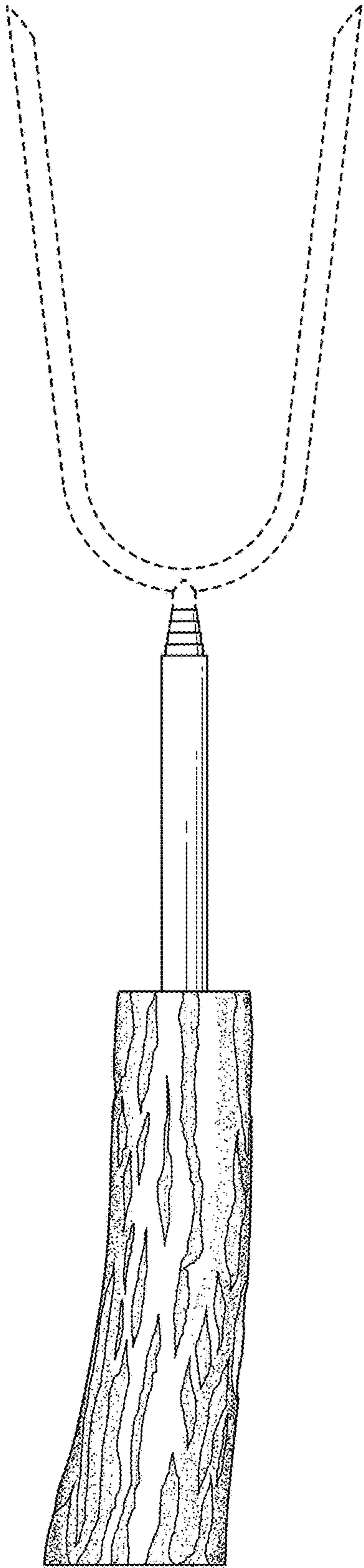


FIG. 16

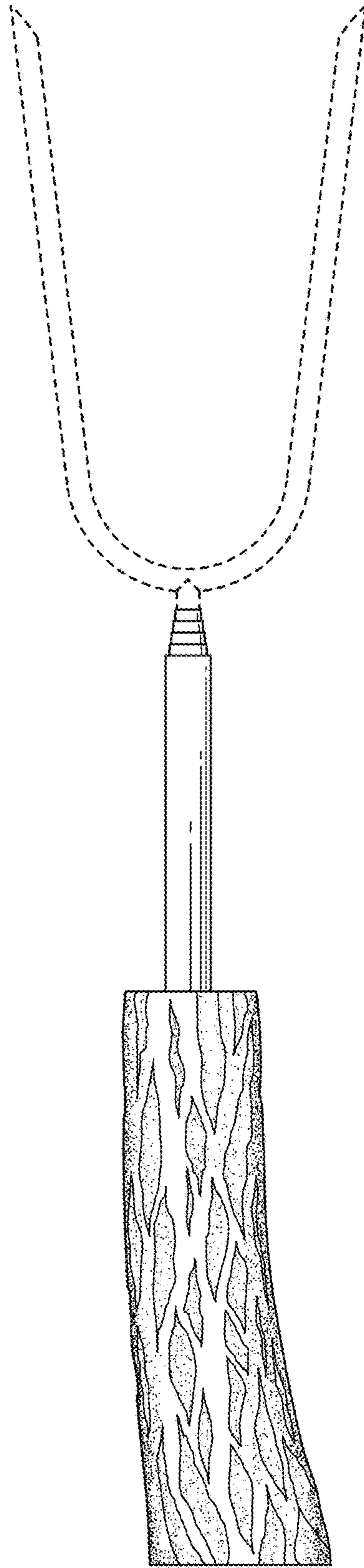


FIG. 17

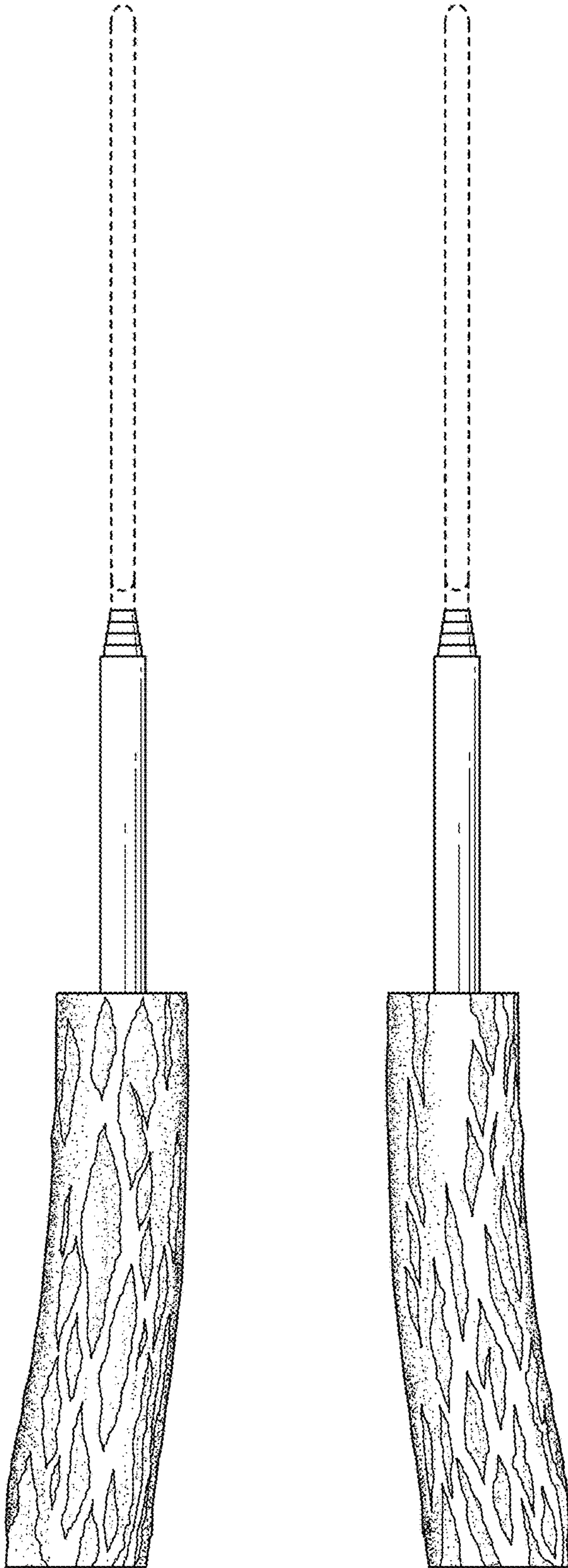


FIG. 18

FIG. 19

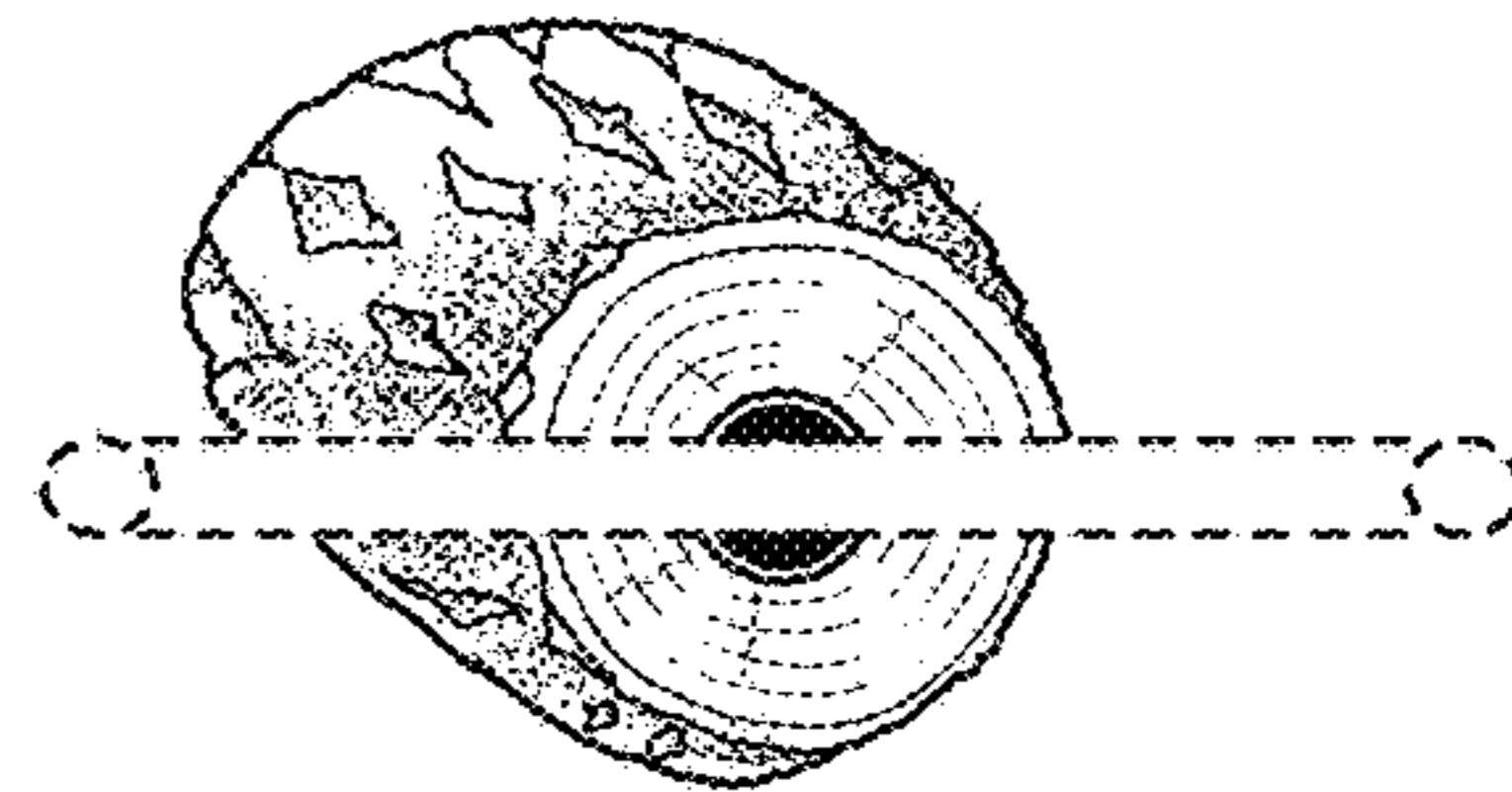


FIG. 20

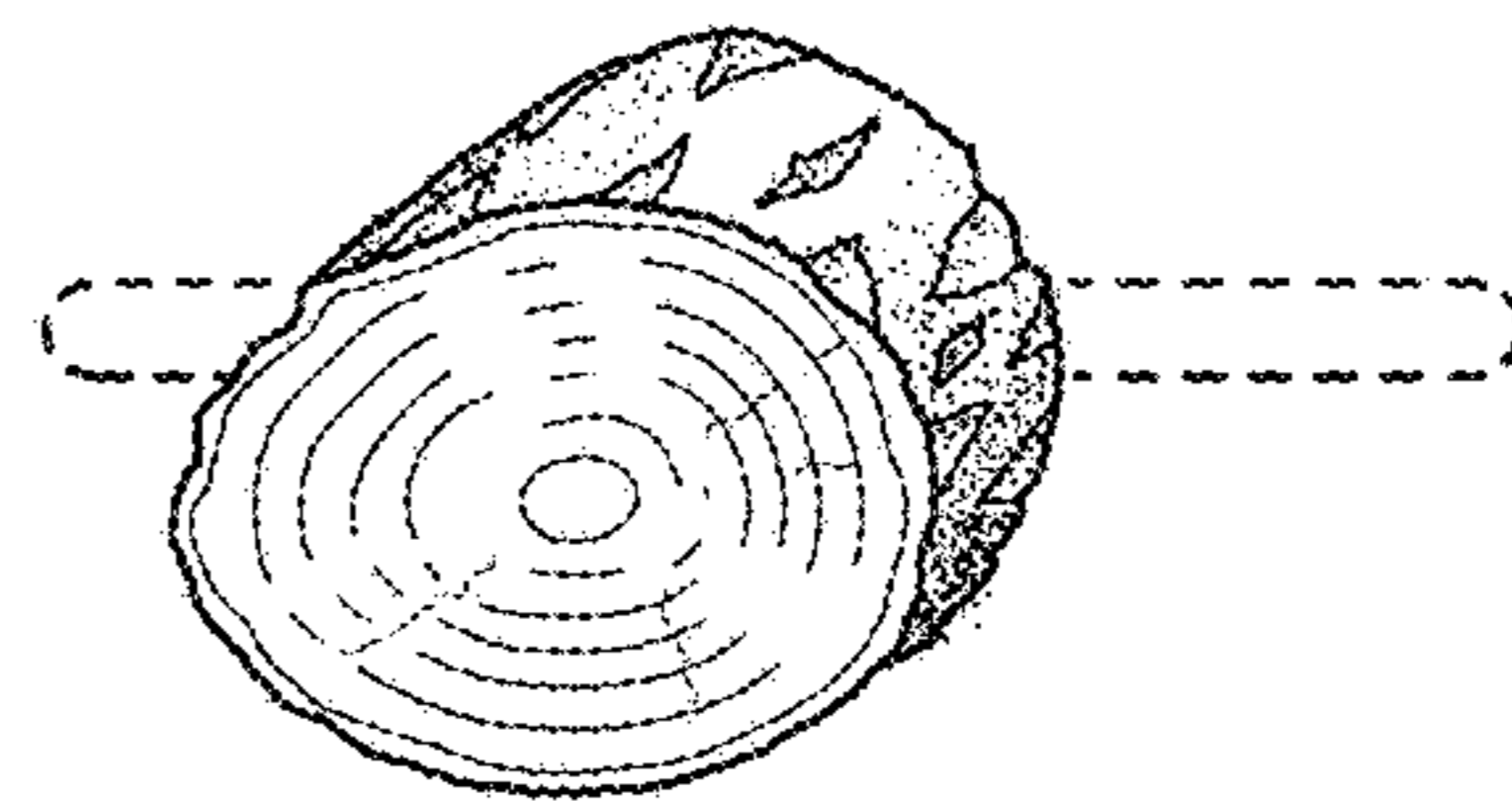


FIG. 21