



US00D829064S

(12) **United States Design Patent**
Anzalone et al.

(10) **Patent No.:** **US D829,064 S**
(45) **Date of Patent:** **** Sep. 25, 2018**

(54) **SALAD CUTTER**

(71) Applicant: **UT Brands LLC**, Costa Mesa, CA
(US)

(72) Inventors: **Christopher Anzalone**, Eagle, ID (US);
Robert Kushner, Mid Levels (HK)

(73) Assignee: **UT Brands, LLC**, Costa Mesa, CA
(US)

(**) Term: **15 Years**

(21) Appl. No.: **29/620,877**

(22) Filed: **Aug. 2, 2017**

(51) **LOC (11) Cl.** **07-04**

(52) **U.S. Cl.**
USPC **D7/693**

(58) **Field of Classification Search**
USPC D7/693, 673, 674
CPC B26D 1/547; B26D 1/553; B26D 1/30;
B26D 3/245; B26D 3/24; B26D 3/26;
B26D 3/06; B26D 7/1818
See application file for complete search history.

(56) **References Cited**

U.S. PATENT DOCUMENTS

2,443,873	A *	6/1948	Simpson	A47J 17/00	30/114
4,852,256	A *	8/1989	Schoettler	B26B 3/04	30/114
5,749,145	A *	5/1998	Baukloh	B26D 1/553	30/114
D400,065	S *	10/1998	Fohrman	D7/673	
D501,630	S *	2/2005	Lo	D7/673	

D692,731	S *	11/2013	Solari	D7/649	
D693,186	S *	11/2013	Hollinger	D7/649	
D696,083	S *	12/2013	Hollinger	D7/649	
D770,838	S *	11/2016	Yang	D7/349	
2007/0119058	A1 *	5/2007	Ho	A47G 21/005	30/279.6
2009/0019705	A1 *	1/2009	Aby-Eva	A47J 9/003	30/117

* cited by examiner

Primary Examiner — Terry A Wallace

(74) *Attorney, Agent, or Firm* — Greenberg Traurig, LLP

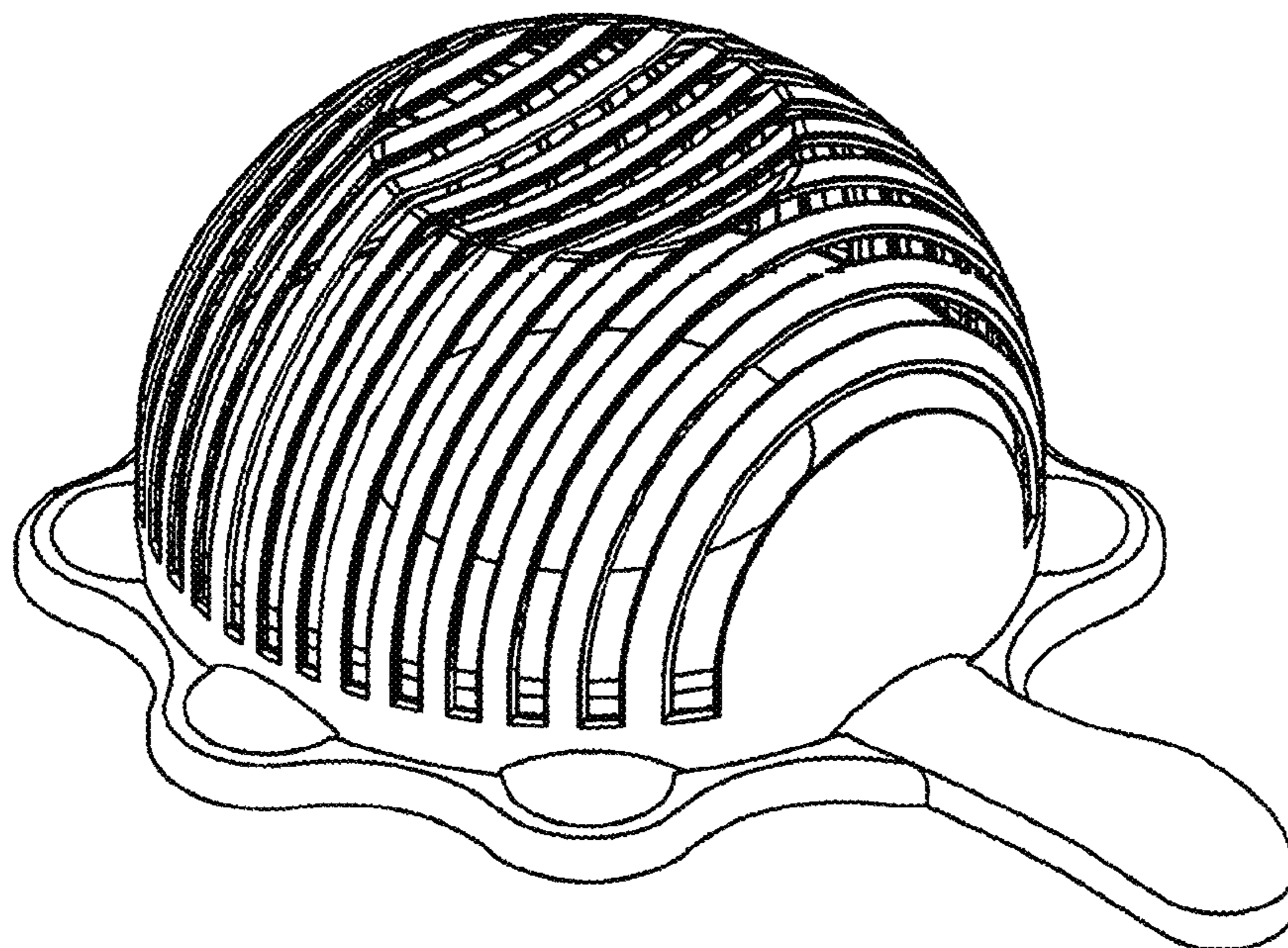
(57) **CLAIM**

The ornamental design for a salad cutter, as shown and described.

DESCRIPTION

FIG. 1 is a top view of a salad cutter of our new design; FIG. 2 is a right side view of FIG. 1; FIG. 3 is a rear view of FIG. 1; FIG. 4 is a front view of FIG. 1; FIG. 5 is a left side view of FIG. 1; FIG. 6 is a bottom view of FIG. 1; FIG. 7 is a top, right side, and front perspective view of FIG. 1; FIG. 8 is an exploded view of FIG. 7; FIG. 9 is an exploded view of a bottom, right side, and front perspective view of FIG. 1; FIG. 10 is an exploded perspective view of FIG. 7, the broken lines of the cover are for illustrative purposes only and form no part of the claimed design; and, FIG. 11 is a top, right, front perspective view of FIG. 1, the broken lines showing the knife are for illustrative purposes only and form no part of the claimed design.

1 Claim, 11 Drawing Sheets



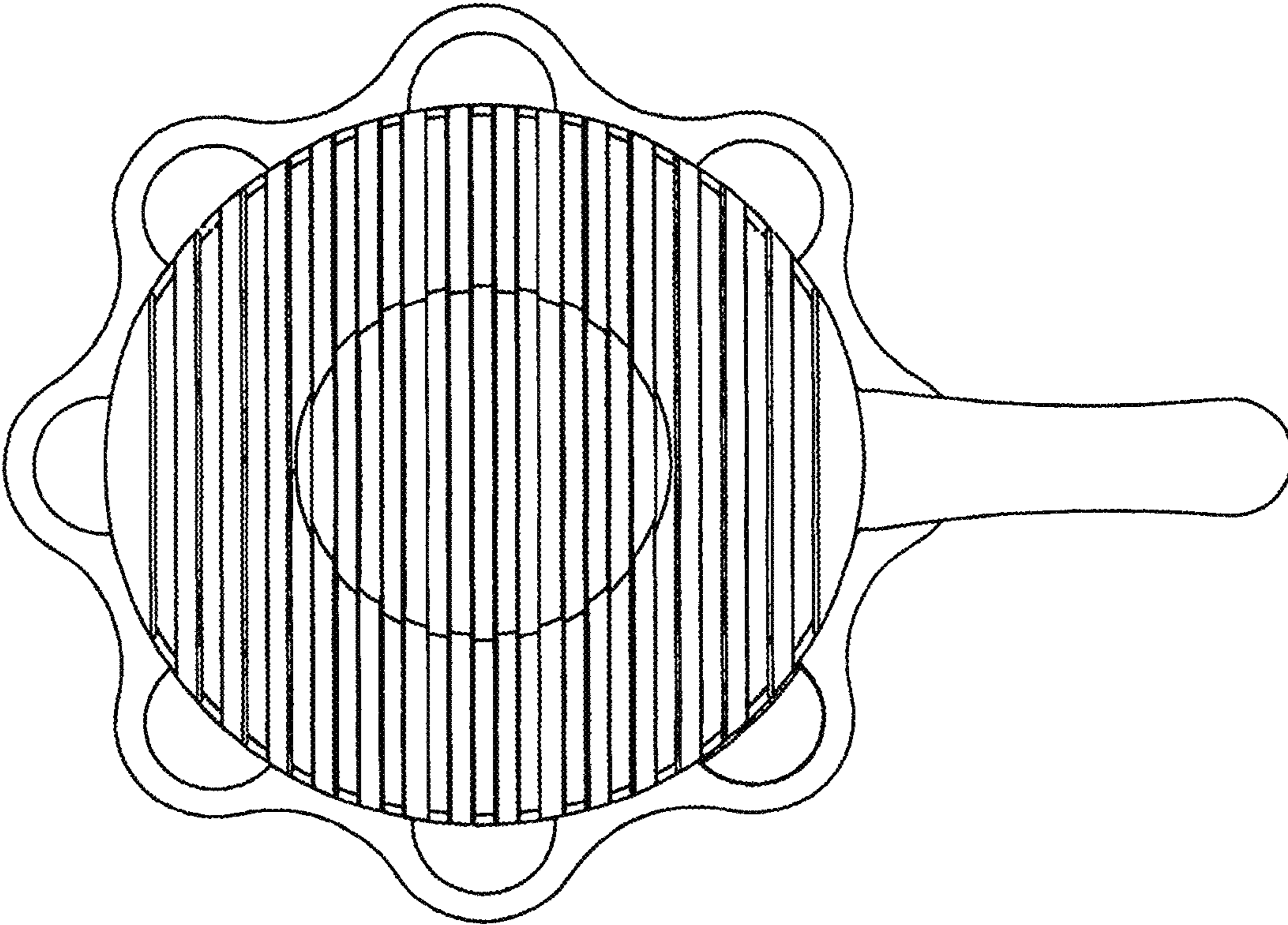


FIG.1

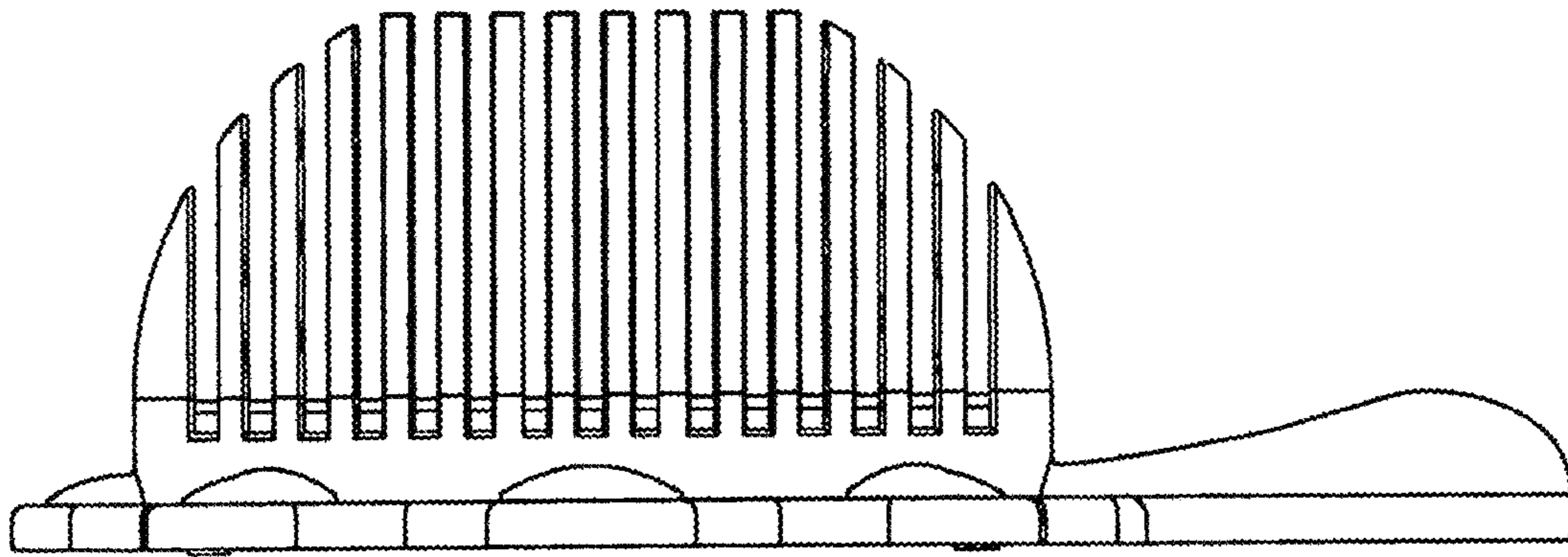


FIG.2

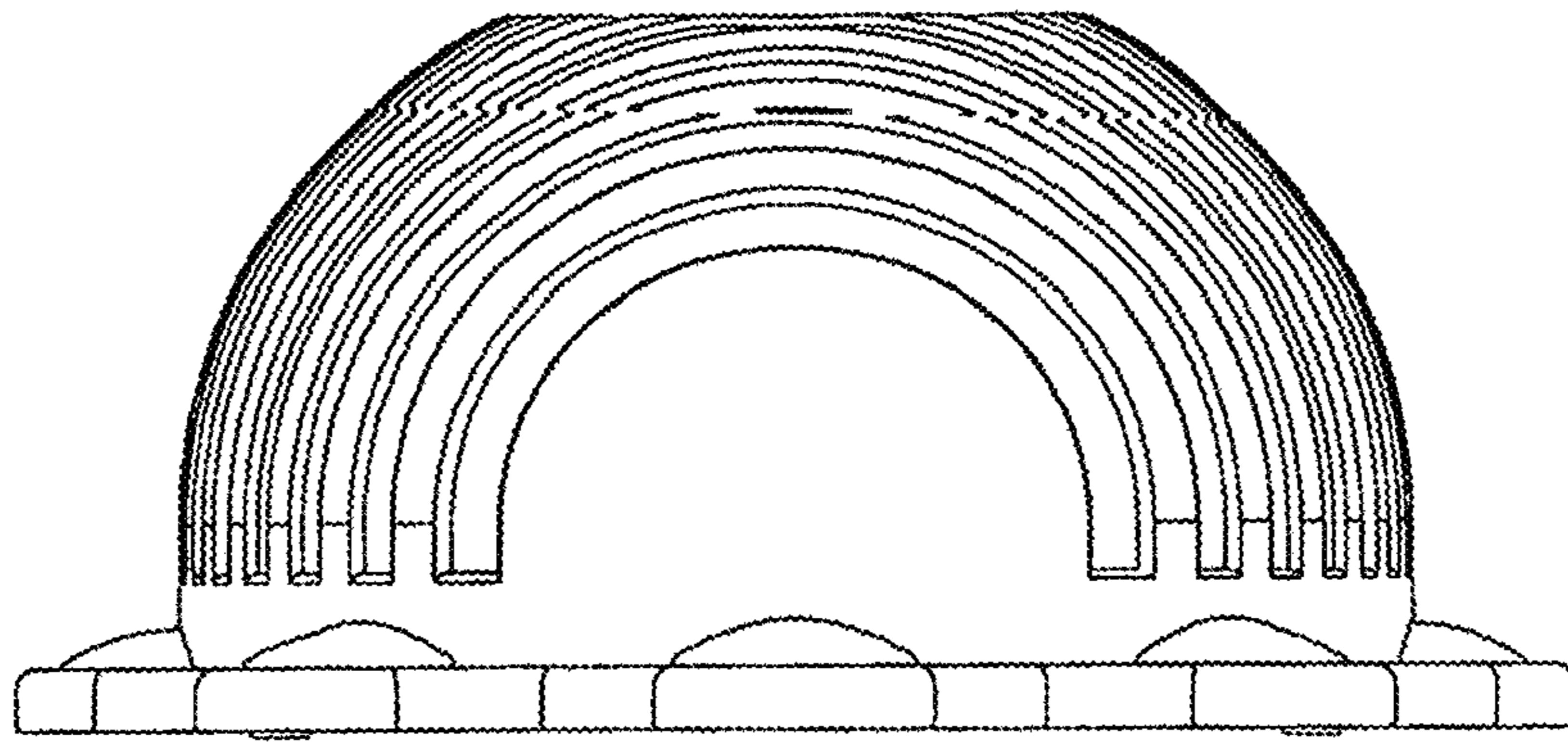


FIG.3

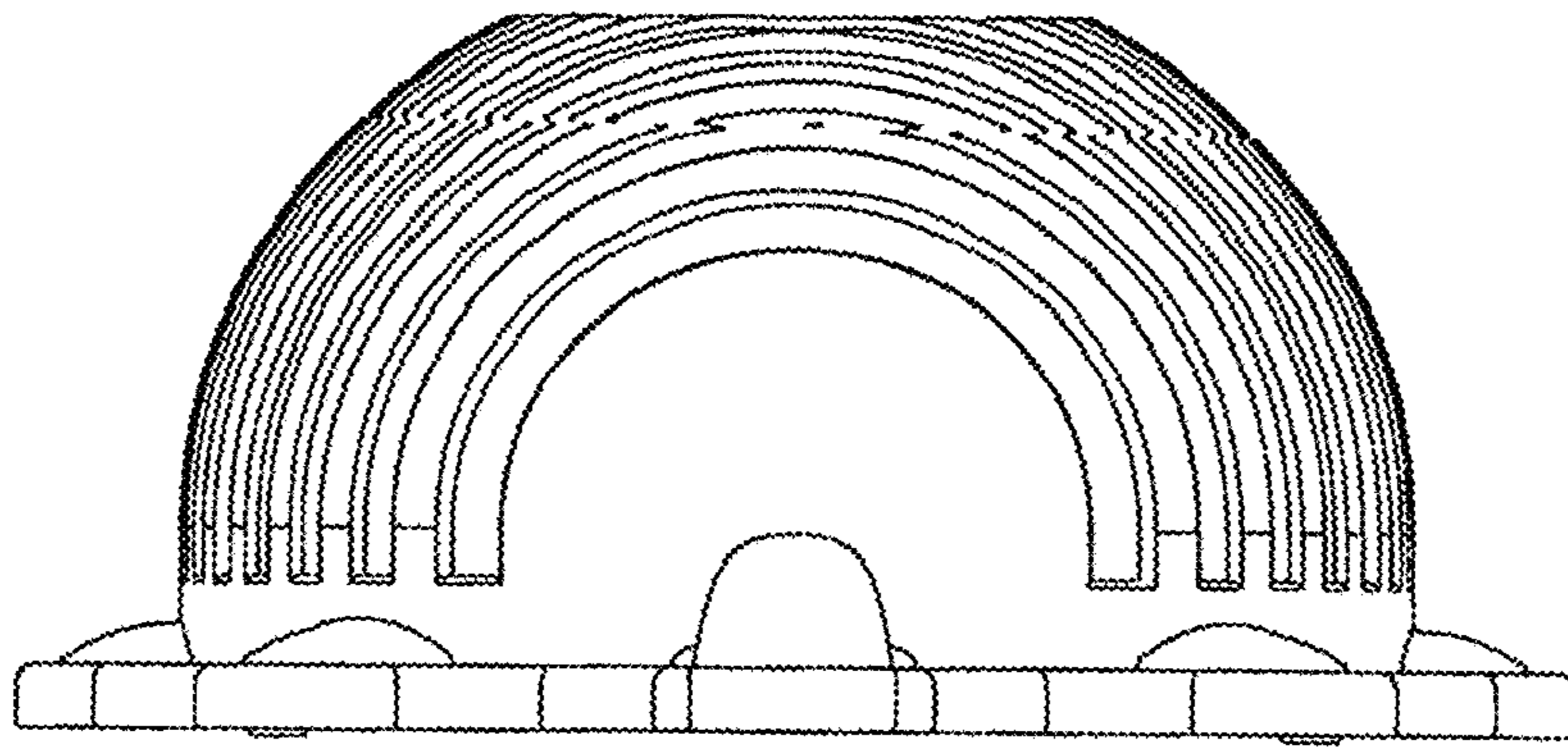


FIG. 4

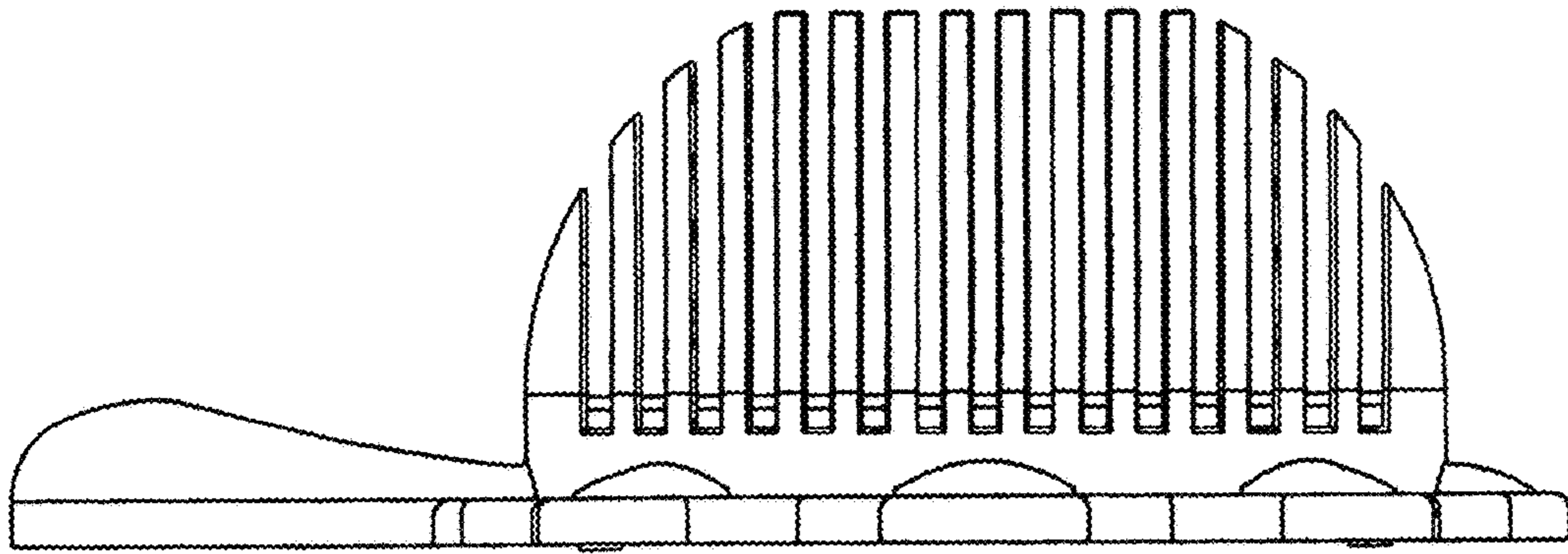


FIG.5

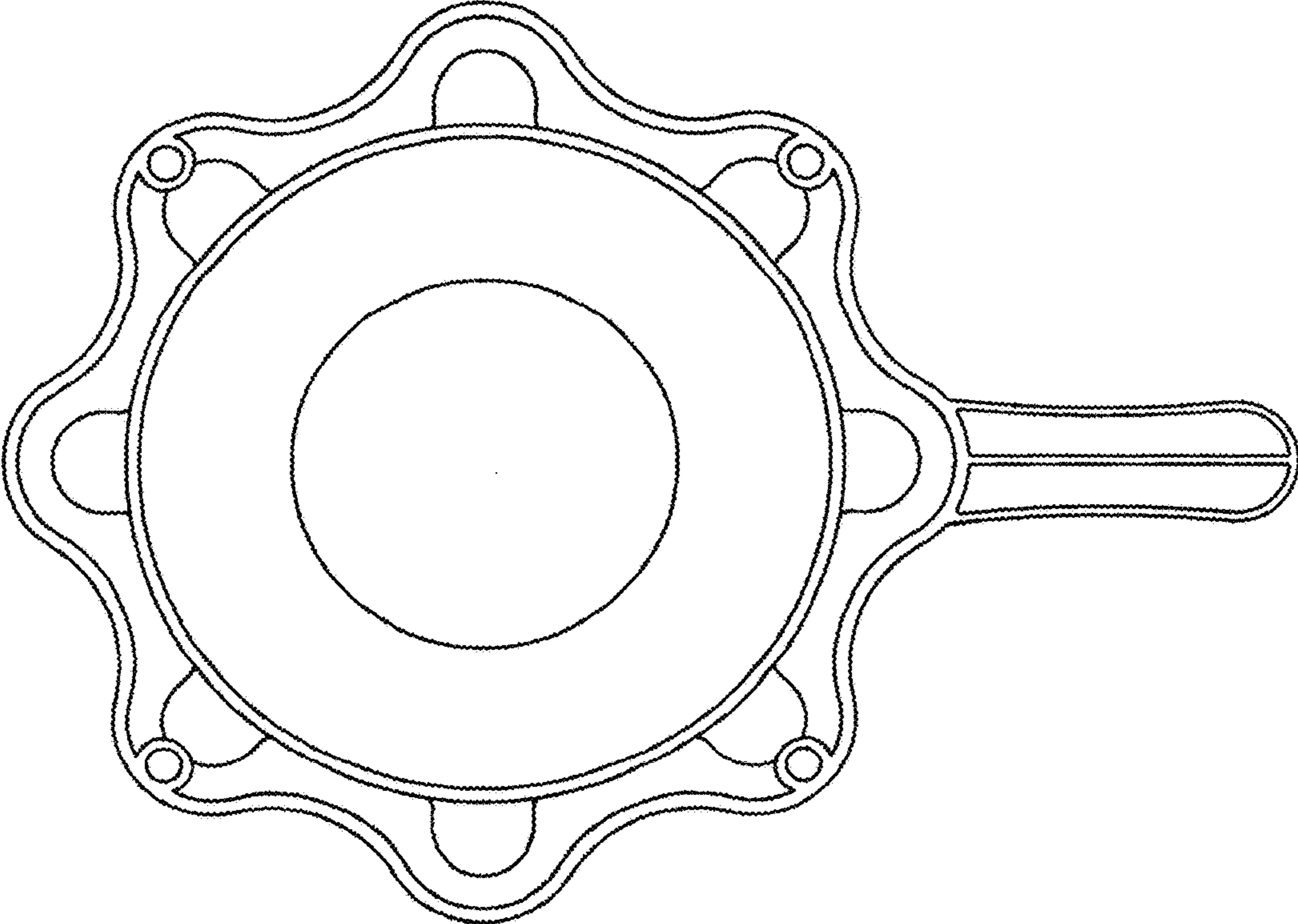


FIG.6

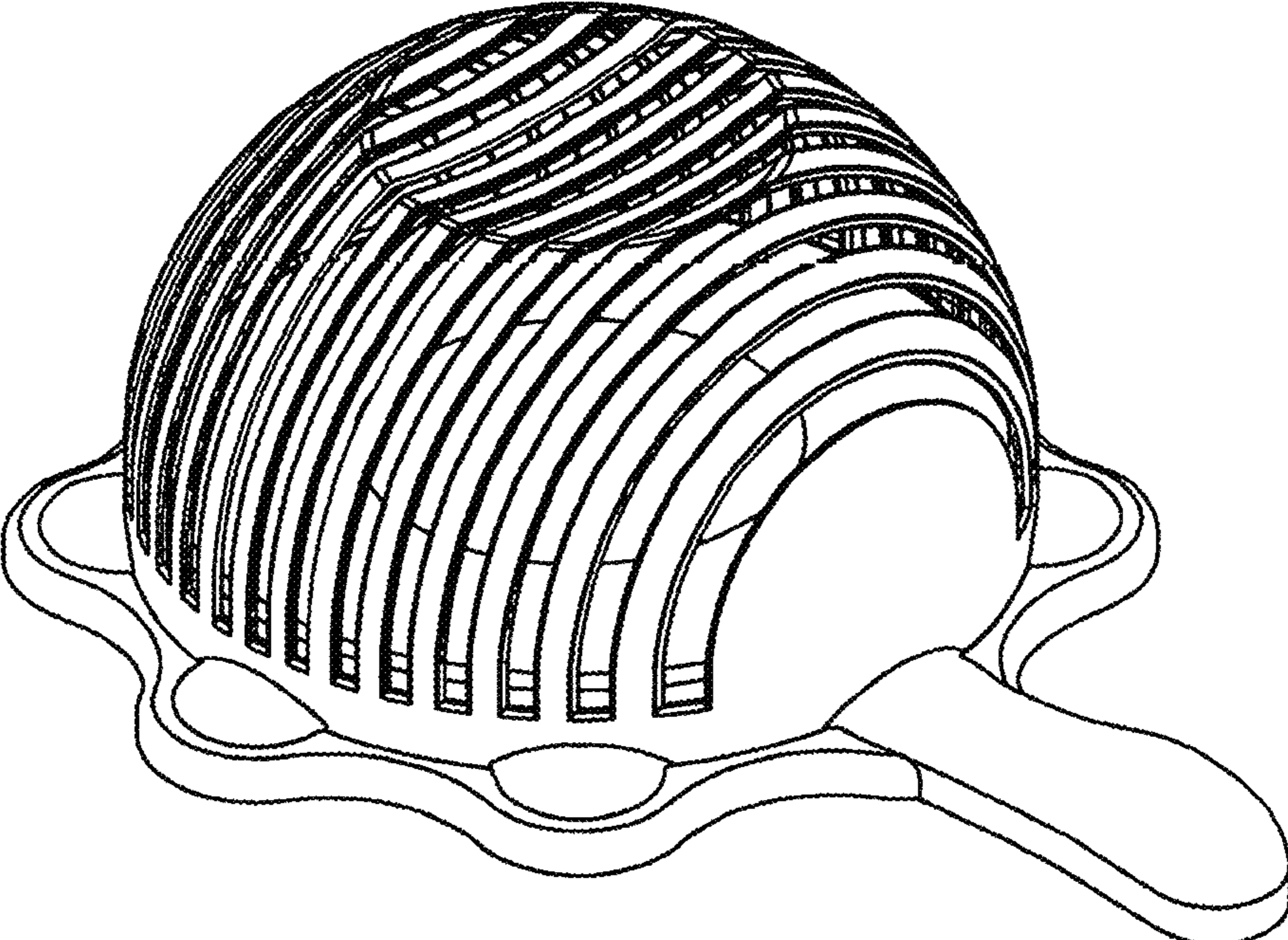


FIG.7

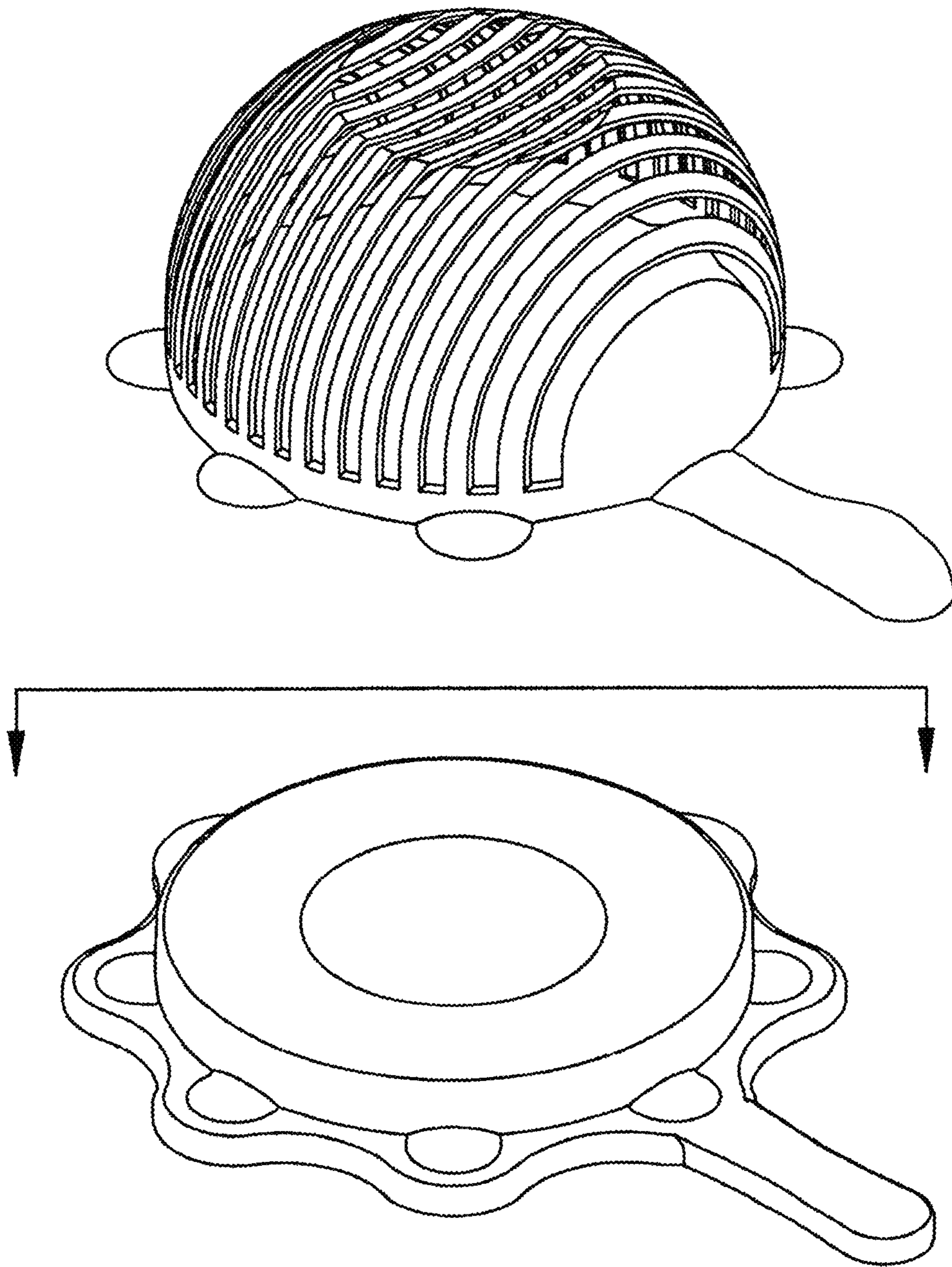


FIG.8

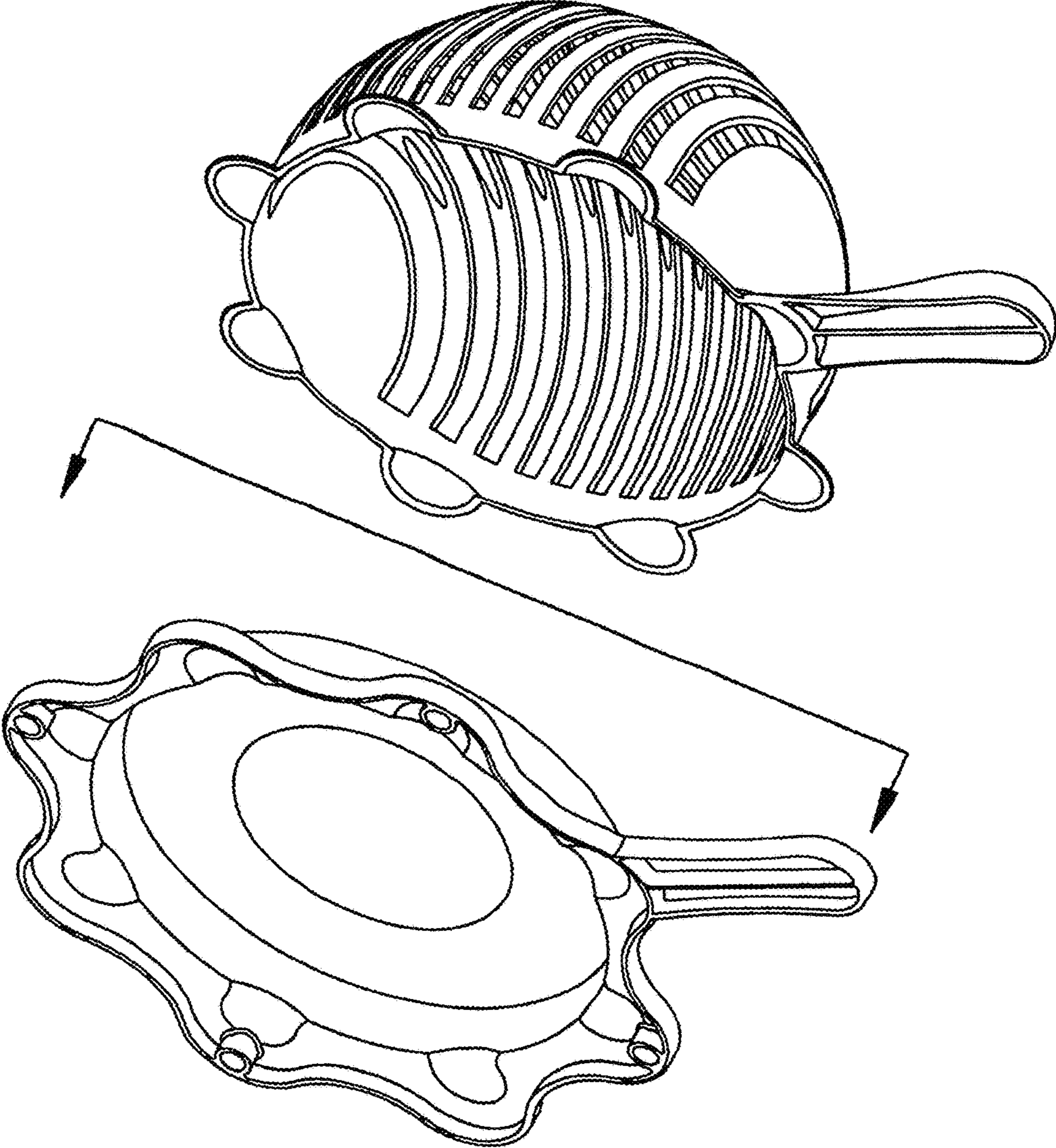


FIG.9

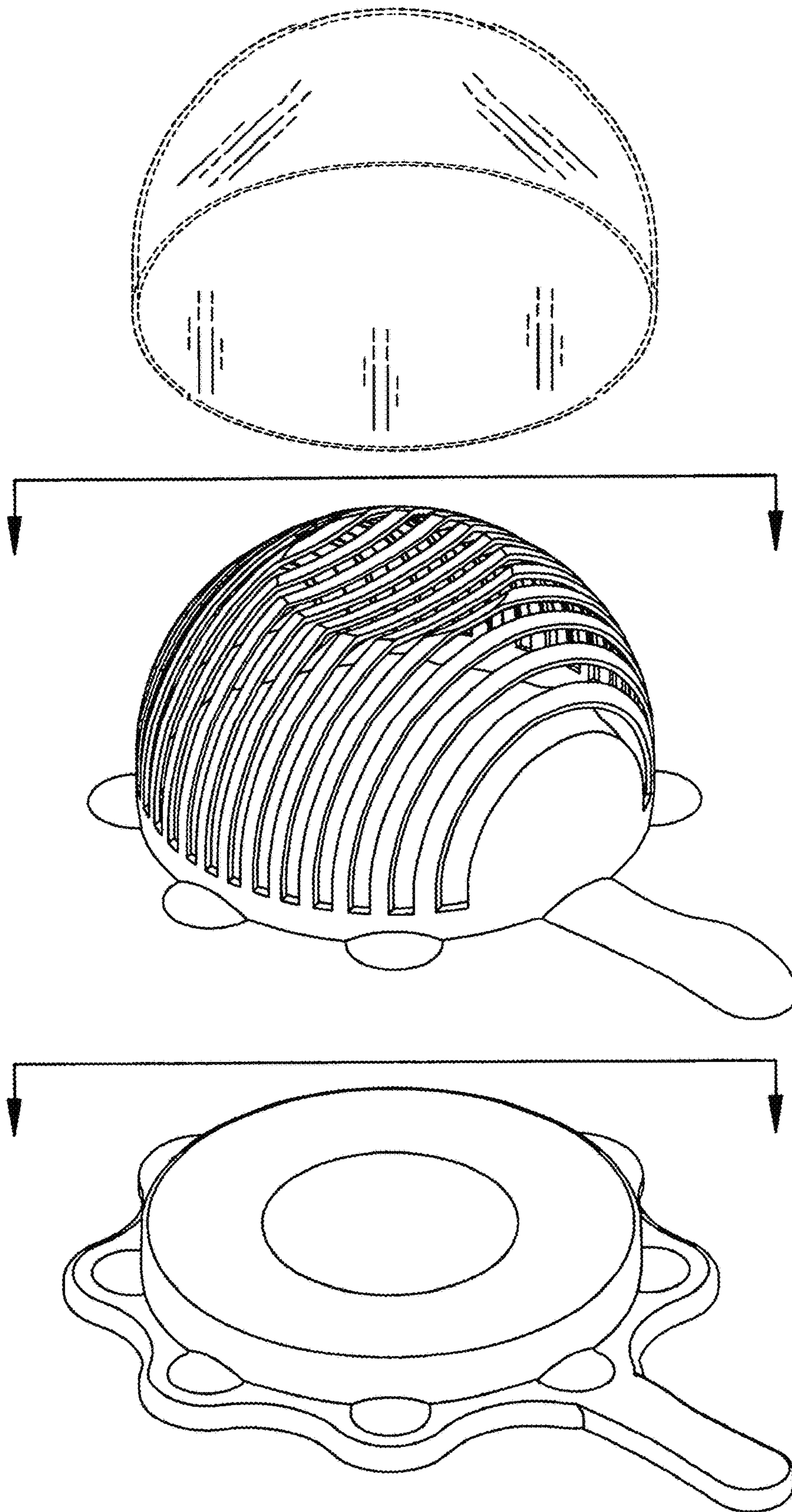


FIG.10

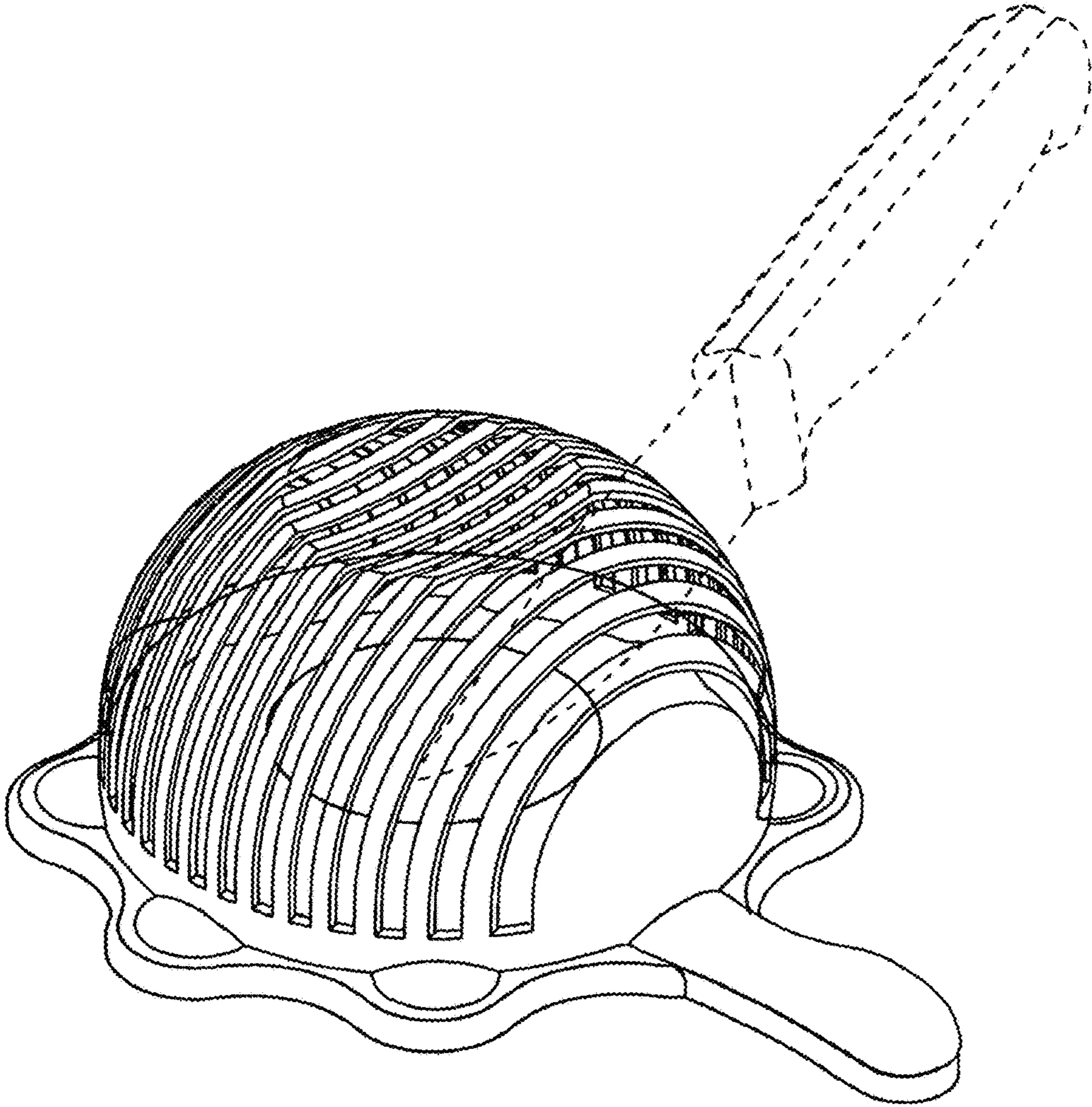


FIG.11