



US00D829063S

(12) **United States Design Patent** (10) **Patent No.:** **US D829,063 S**
Goulet Dubois (45) **Date of Patent:** **** Sep. 25, 2018**

(54) **EGG MOLD** 4,488,479 A * 12/1984 Sloan A47J 29/00
126/380.1
(71) Applicant: **Lifetime Brands, Inc.**, Garden City, NY (US) D317,848 S * 7/1991 Kaiser D7/676
D347,977 S * 6/1994 Becht D7/676
D349,016 S * 7/1994 Kaiser D7/676
(72) Inventor: **Elizabeth Goulet Dubois**, Hope, RI (US) D357,614 S * 4/1995 Champagne D7/676
D411,786 S * 7/1999 Cianci D7/675
D411,787 S * 7/1999 Cianci D7/675
D566,487 S * 4/2008 Seehoff D7/675
(73) Assignee: **Lifetime Brands, Inc.**, Garden City, NY (US) 8,474,372 B2 * 7/2013 Stacey A47J 29/02
99/422
2004/0060457 A1 * 4/2004 Williams A47J 37/067
99/422
(**) Term: **15 Years** 2006/0117963 A1 * 6/2006 Schneider A47J 43/20
99/403

(21) Appl. No.: **29/591,465**

* cited by examiner

(22) Filed: **Jan. 20, 2017**

Primary Examiner — Susan B Hattan

(51) **LOC (11) Cl.** **07-04**

Assistant Examiner — Brett A Miller

(52) **U.S. Cl.**
USPC **D7/676**

(74) *Attorney, Agent, or Firm* — Tutunjian & Bitetto, P.C.

(58) **Field of Classification Search**
USPC D7/672–677, 354, 693–696, 678, 357;
99/422

(57) **CLAIM**

The ornamental design for an egg mold, as shown and described.

CPC .. A47J 43/00; A47J 43/25; A47J 25/00; A47J 43/20; A47J 29/00; B26D 2210/02; B26D 1/143; B26D 3/283; B26D 3/26; B26D 3/185; B26D 2003/288; B26D 2003/286; B26D 2003/285; B26D 2003/287; A23G 3/0034; A23G 3/0273; A23L 15/00
See application file for complete search history.

DESCRIPTION

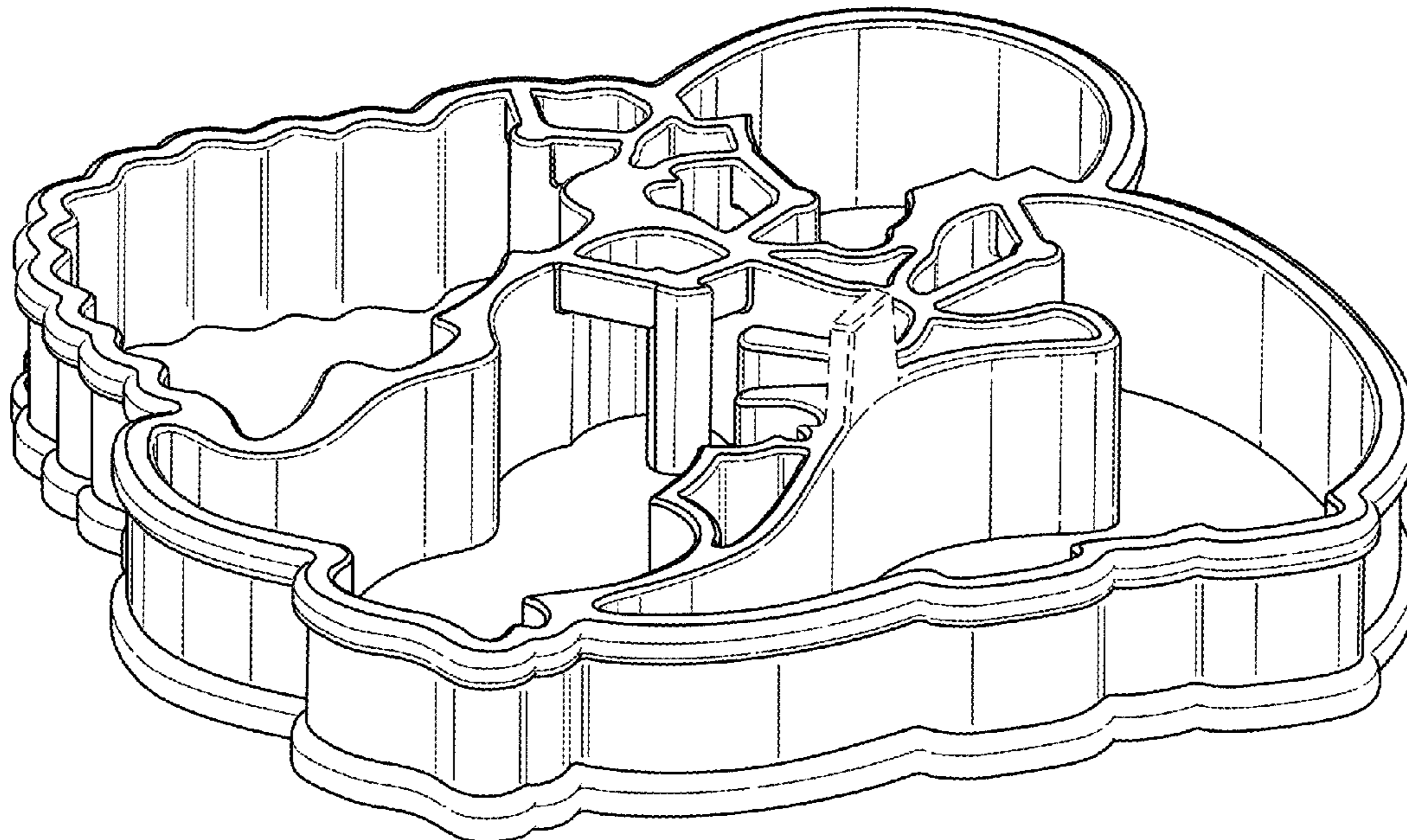
FIG. 1 is a perspective view of the egg mold showing my new design;
FIG. 2 is a top view thereof;
FIG. 3 is a front view thereof;
FIG. 4 is a right side view thereof;
FIG. 5 is a rear view thereof;
FIG. 6 is a left side view thereof; and,
FIG. 7 is a bottom view thereof.
The broken line in the drawings show environmental structure of the egg mold that form no part of the claimed design.

(56) **References Cited**

U.S. PATENT DOCUMENTS

D162,041 S * 2/1951 Klein D7/672
D240,288 S * 6/1976 Wright D7/672
D257,202 S * 10/1980 Schessl D7/672

1 Claim, 5 Drawing Sheets



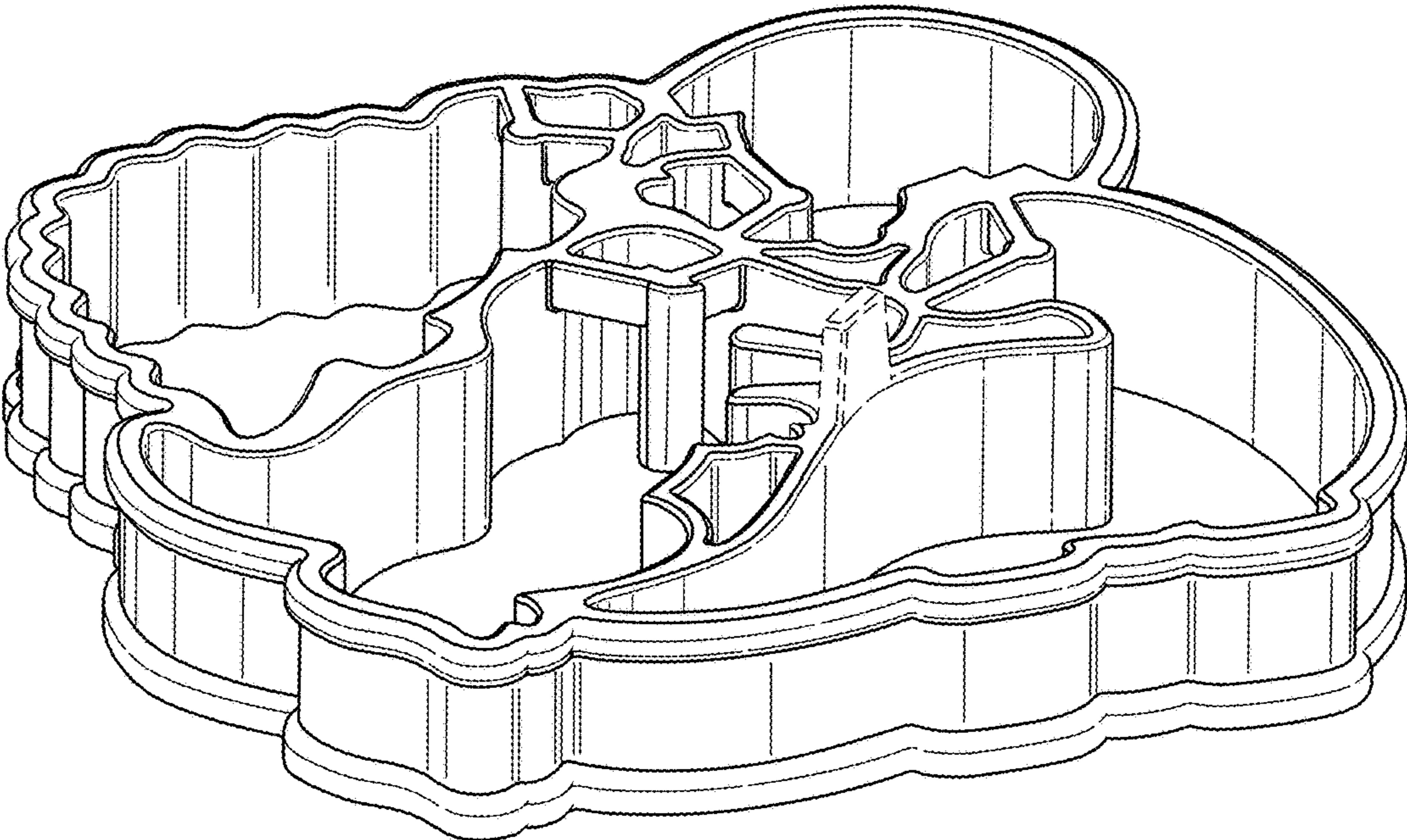


FIG. 1

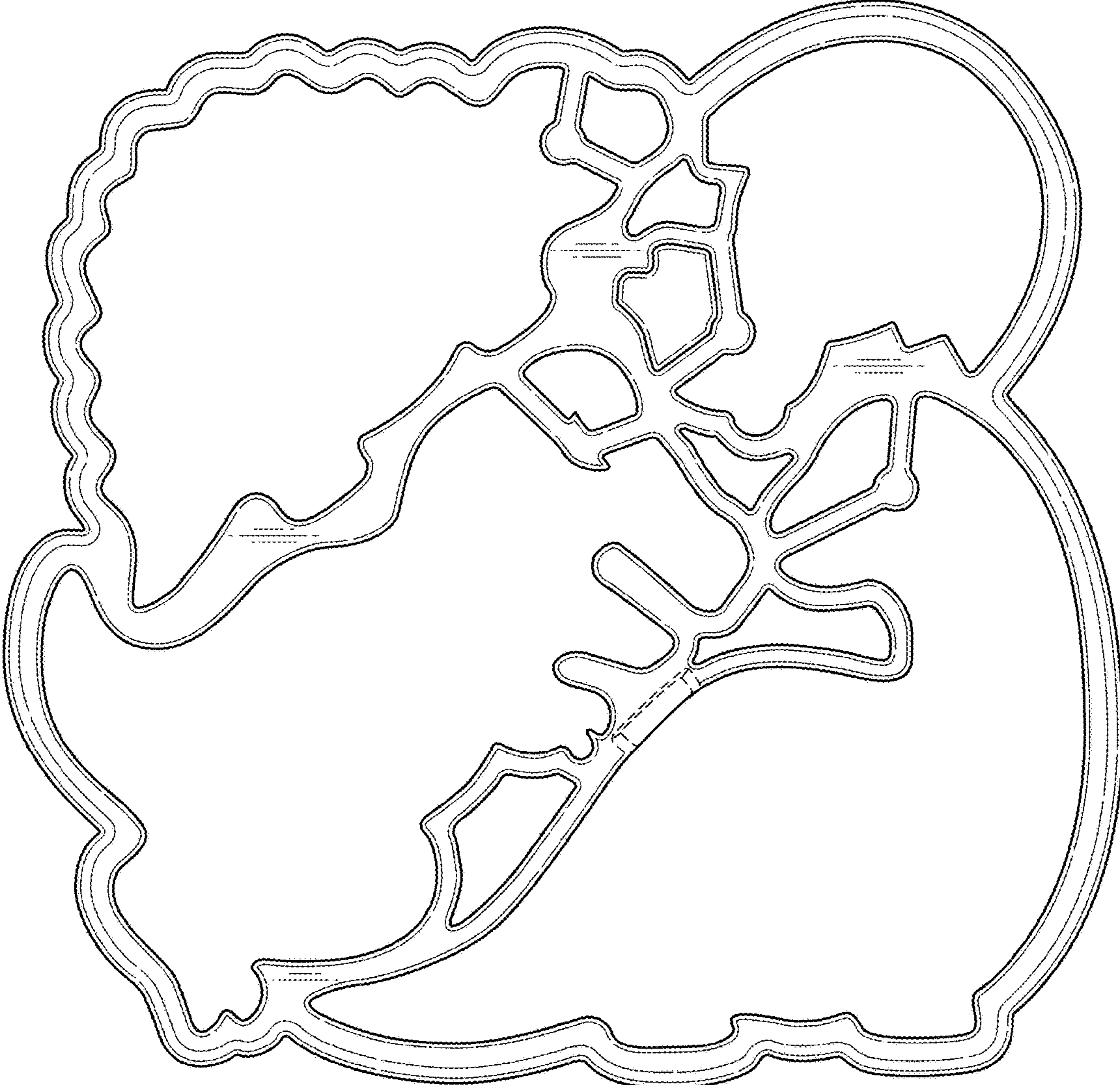


FIG. 2

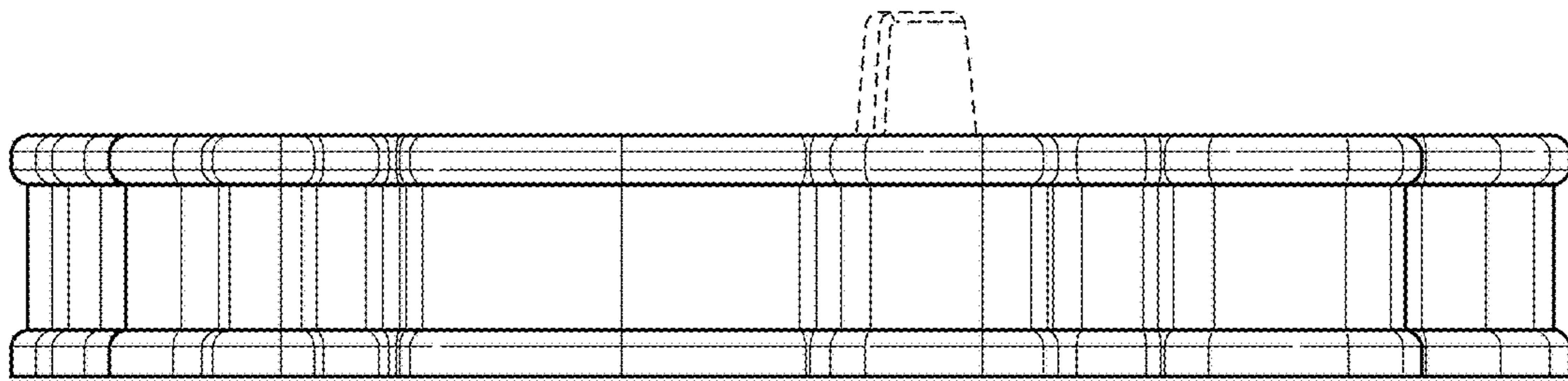


FIG. 3

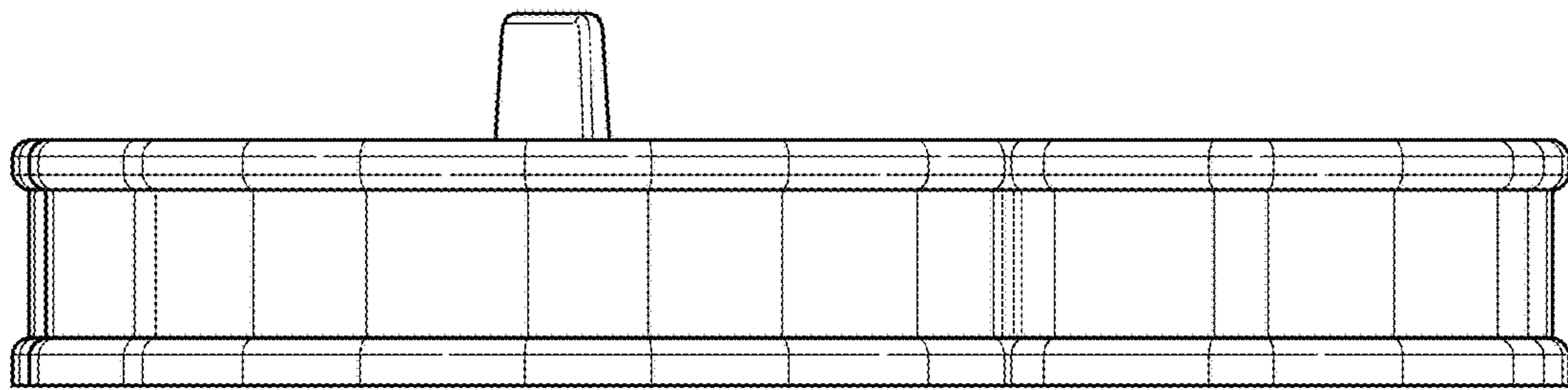


FIG. 4

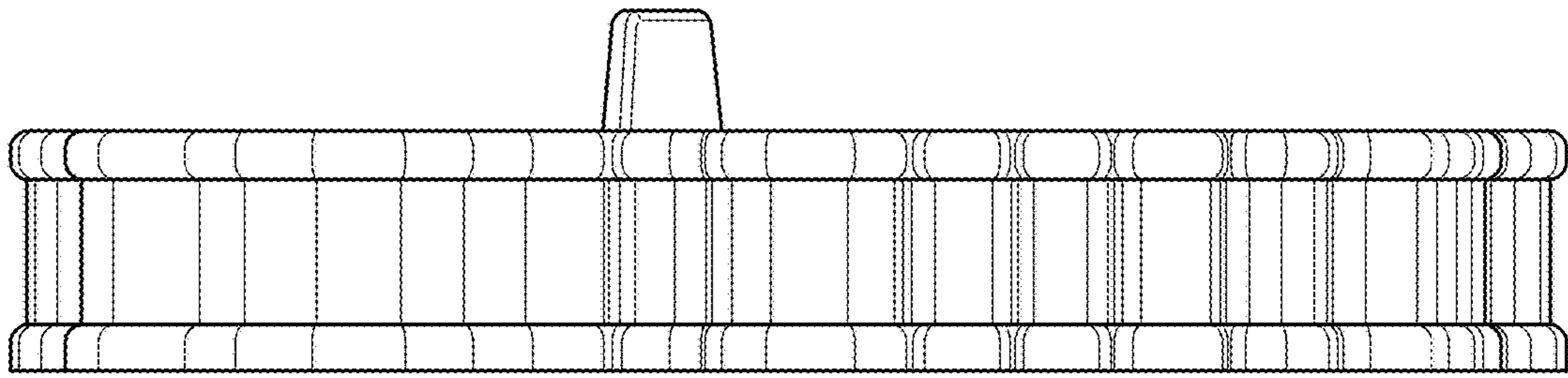


FIG. 5

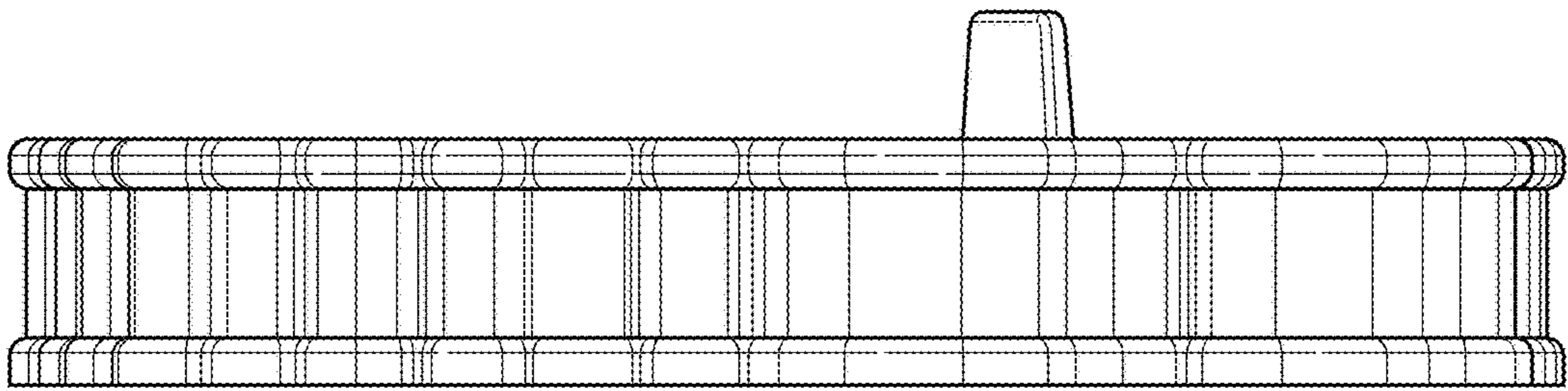


FIG. 6

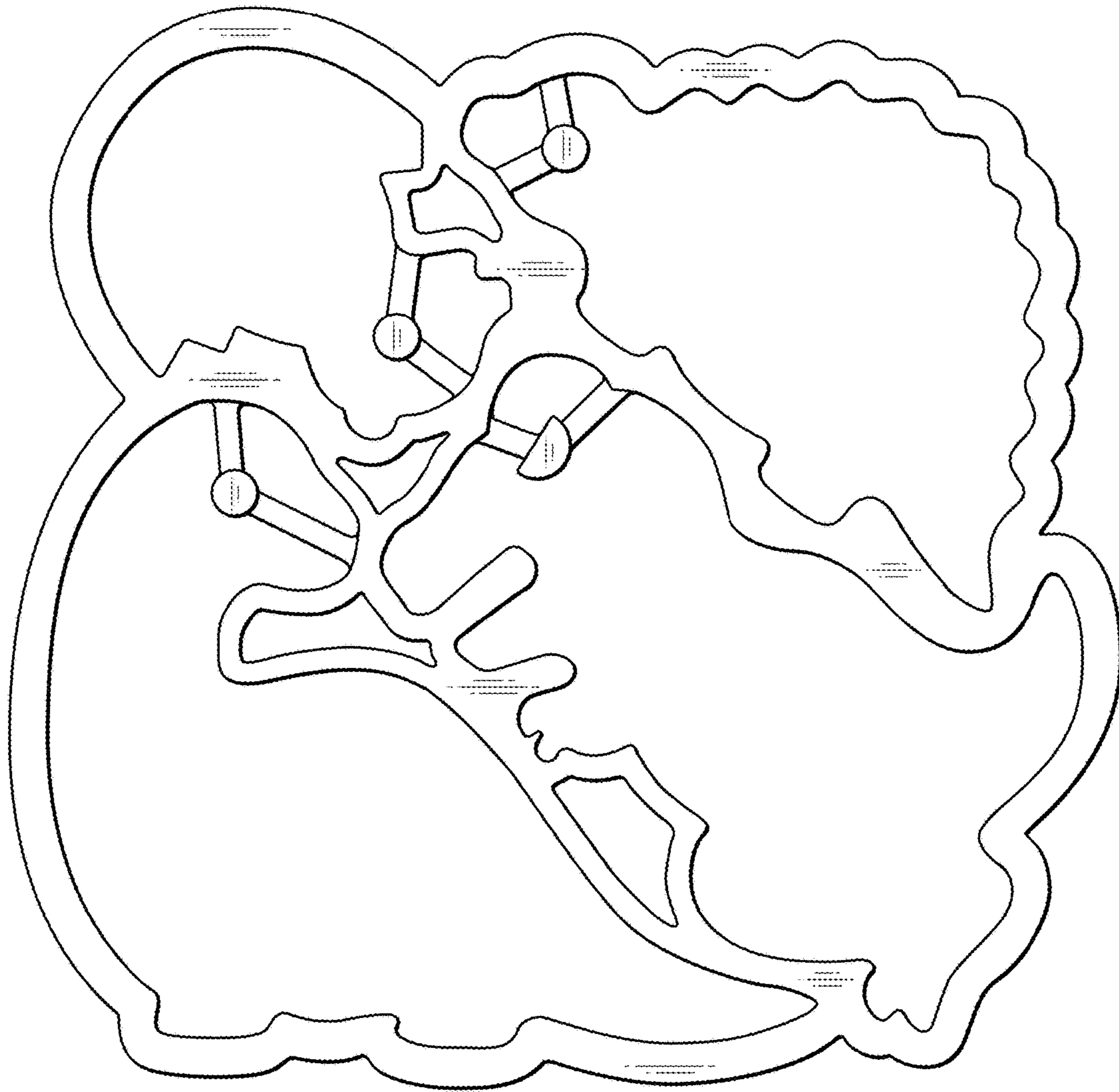


FIG. 7