



US00D829062S

(12) **United States Design Patent** (10) **Patent No.:** **US D829,062 S**
O’Leary et al. (45) **Date of Patent:** **** Sep. 25, 2018**

- (54) **SALAD SPINNER** D462,881 S * 9/2002 Mulhauser D7/665
6,622,618 B1 * 9/2003 Glucksman A47J 43/24
210/360.1
- (71) Applicants: **Kevin O’Leary**, Brooklyn, NY (US); D506,903 S * 7/2005 Lee D7/665
Mark Prommel, Brooklyn, NY (US); D530,989 S * 10/2006 Mellen D7/665
Marco Perry, Brooklyn, NY (US); D538,604 S * 3/2007 de Groote D7/665
Curtis Barbre, Brooklyn, NY (US); D672,211 S * 12/2012 Nie D7/665
Mackenzie Mor, Brooklyn, NY (US); D682,048 S * 5/2013 Perry D7/665
Melissa Scagnelli, Jersey City, NJ (US) D753,962 S * 4/2016 Cornu D7/665
D794,393 S * 8/2017 Karussi D7/538
9,756,983 B2 * 9/2017 Myoung A47J 43/044
2007/0137504 A1 * 6/2007 Wan A47J 43/24
99/495
- (72) Inventors: **Kevin O’Leary**, Brooklyn, NY (US);
Mark Prommel, Brooklyn, NY (US);
Marco Perry, Brooklyn, NY (US);
Curtis Barbre, Brooklyn, NY (US);
Mackenzie Mor, Brooklyn, NY (US);
Melissa Scagnelli, Jersey City, NJ (US)

(Continued)

FOREIGN PATENT DOCUMENTS

- (73) Assignee: **HELEN OF TROY LIMITED**, St. Michael (BB)
EM 001899501-0001 * 8/2012
EM 003534213-0004 * 12/2016

(Continued)

(**) Term: **15 Years**

OTHER PUBLICATIONS

(21) Appl. No.: **29/595,001**

Judge Kitchen Salad Spinner. Online, published date unknown. Retrieved in Jan. 5, 2018 from URL: <https://www.goodhousekeeping.co.uk/institute/product-reviews/salad-spinners/judge-kitchen-salad-spinner-tc169>.*

(22) Filed: **Feb. 24, 2017**

(51) **LOC (11) Cl.** **31-00**

(52) **U.S. Cl.**
USPC **D7/665**

(58) **Field of Classification Search**
USPC D7/400, 500, 538–549, 586, 587,
D7/601–603, 612, 615, 629–630, 665–668
CPC A47J 43/044; A47J 43/24; A47J 47/005;
F26B 5/08
See application file for complete search history.

Primary Examiner — Karen S Acker
Assistant Examiner — Omeed Agilee

(57) **CLAIM**

The ornamental design for a salad spinner, as shown, and described.

DESCRIPTION

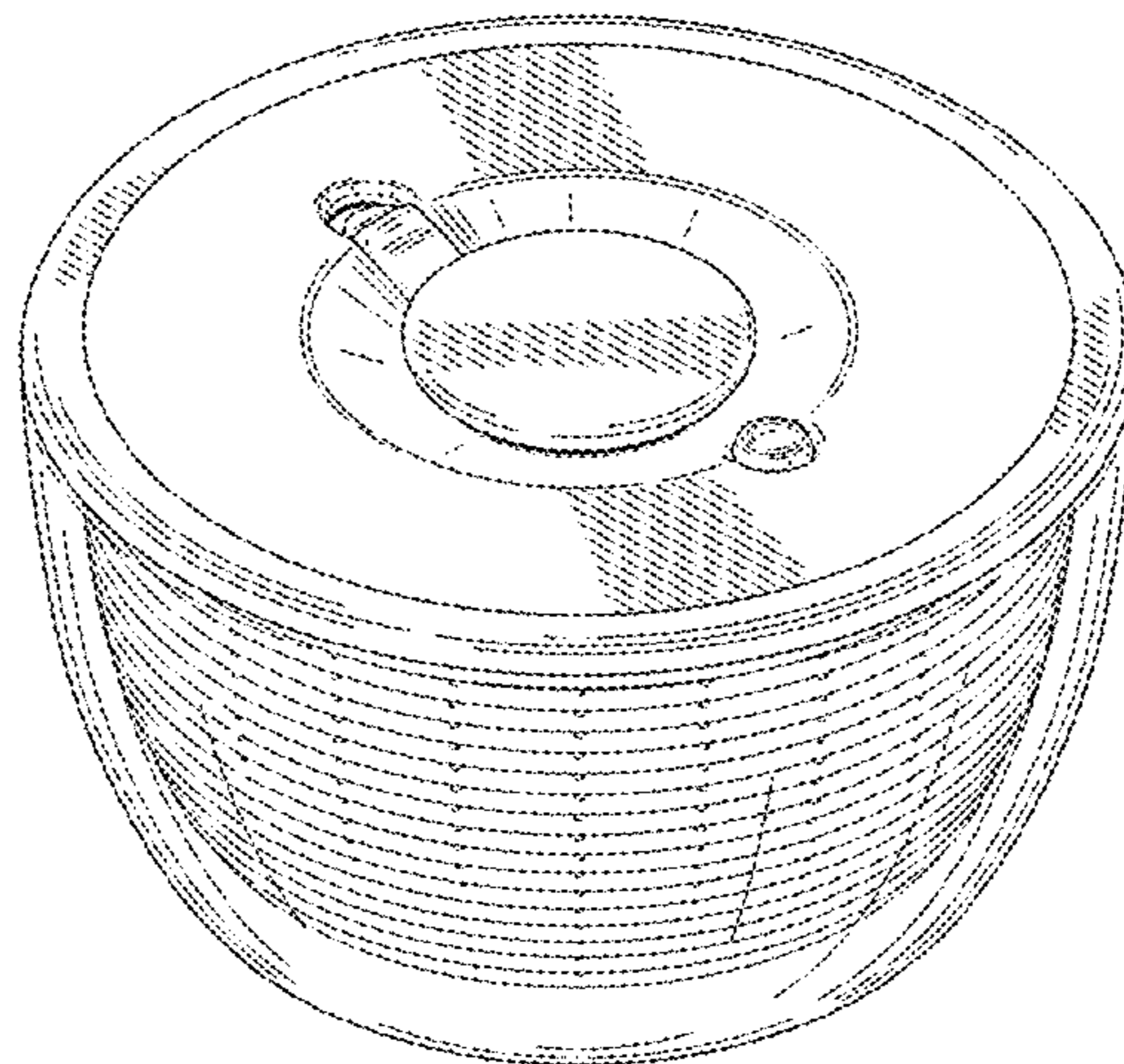
(56) **References Cited**

U.S. PATENT DOCUMENTS

- D328,551 S * 8/1992 Kong D7/665
- D376,063 S * 12/1996 Bull D7/665
- D378,724 S * 4/1997 Young D7/360
- D402,165 S * 12/1998 Bull D7/665
- 5,904,090 A * 5/1999 Lillelund F26B 5/05
210/360.1

FIG. 1 is a perspective view of the salad spinner;
FIG. 2 is a left side elevational view thereof;
FIG. 3 is a right side elevational view thereof;
FIG. 4 is a front elevational view thereof;
FIG. 5 is a top view thereof; and,
FIG. 6 is a bottom view thereof.

1 Claim, 6 Drawing Sheets



(56)

References Cited

U.S. PATENT DOCUMENTS

2010/0139503 A1* 6/2010 Curtin A47J 43/24
99/501

FOREIGN PATENT DOCUMENTS

EM 004157329-0001 * 8/2017
EM 004157329-0002 * 8/2017

* cited by examiner

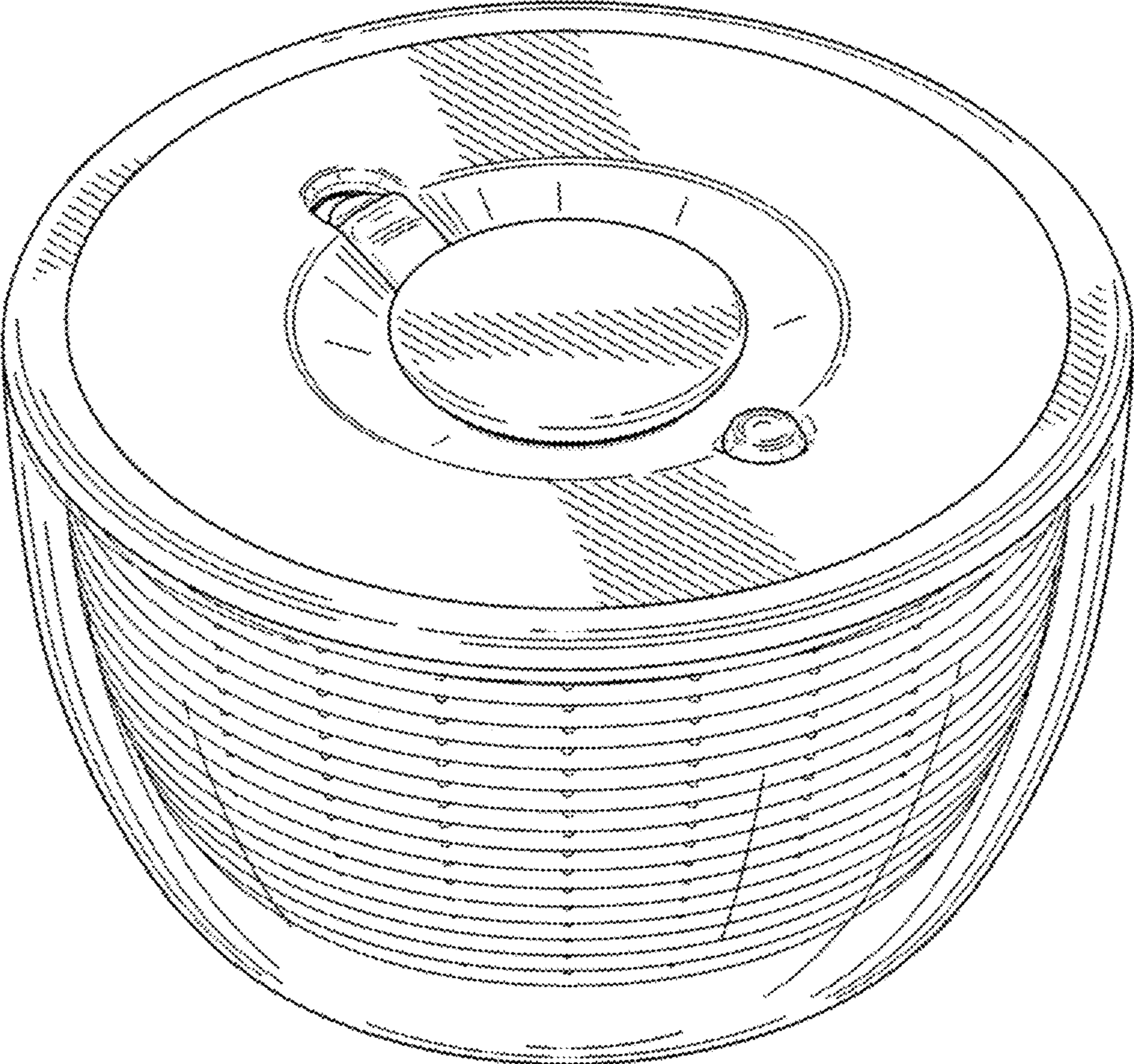


FIG. 1

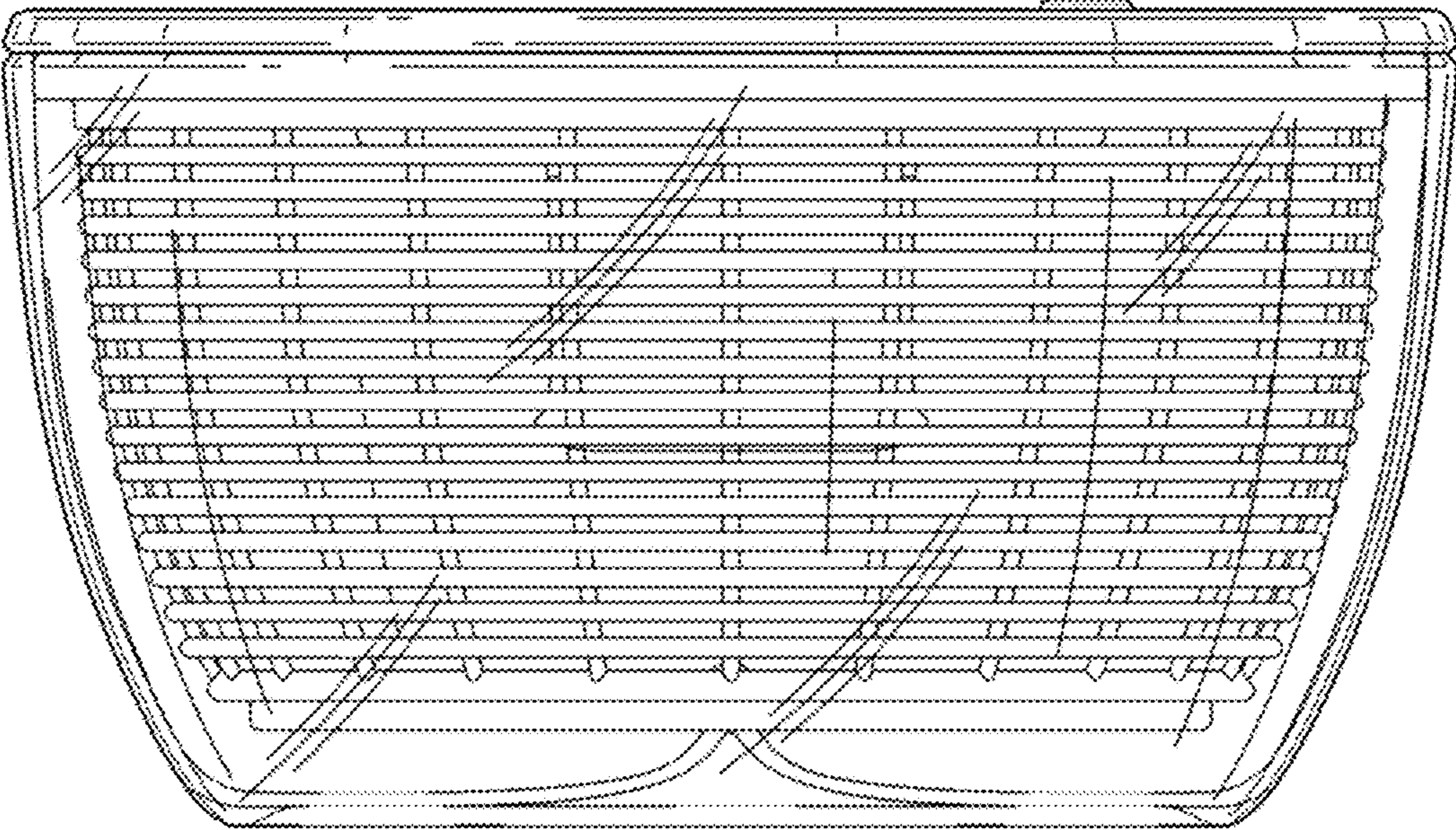


FIG. 2

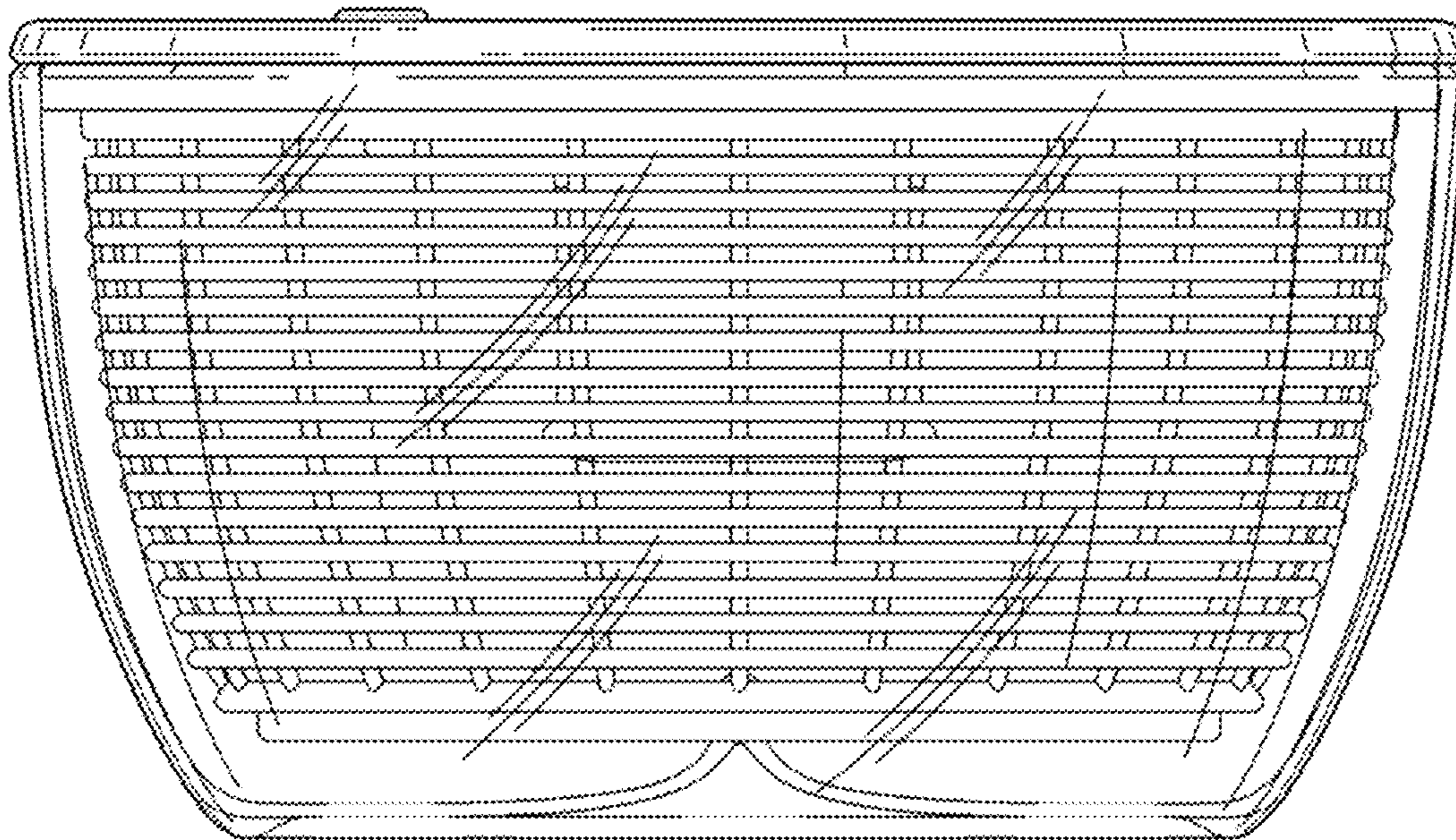


FIG. 3

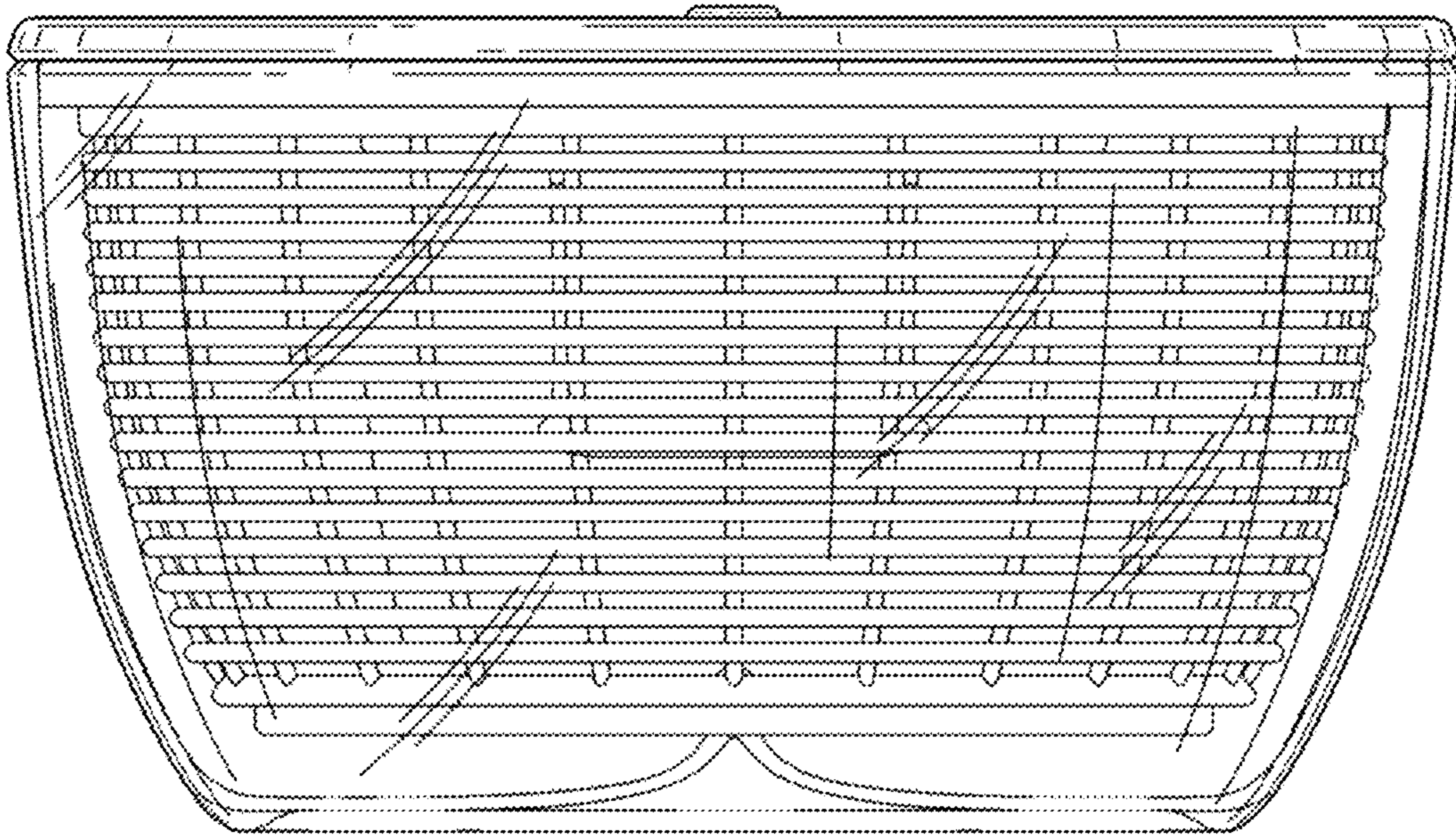


FIG. 4

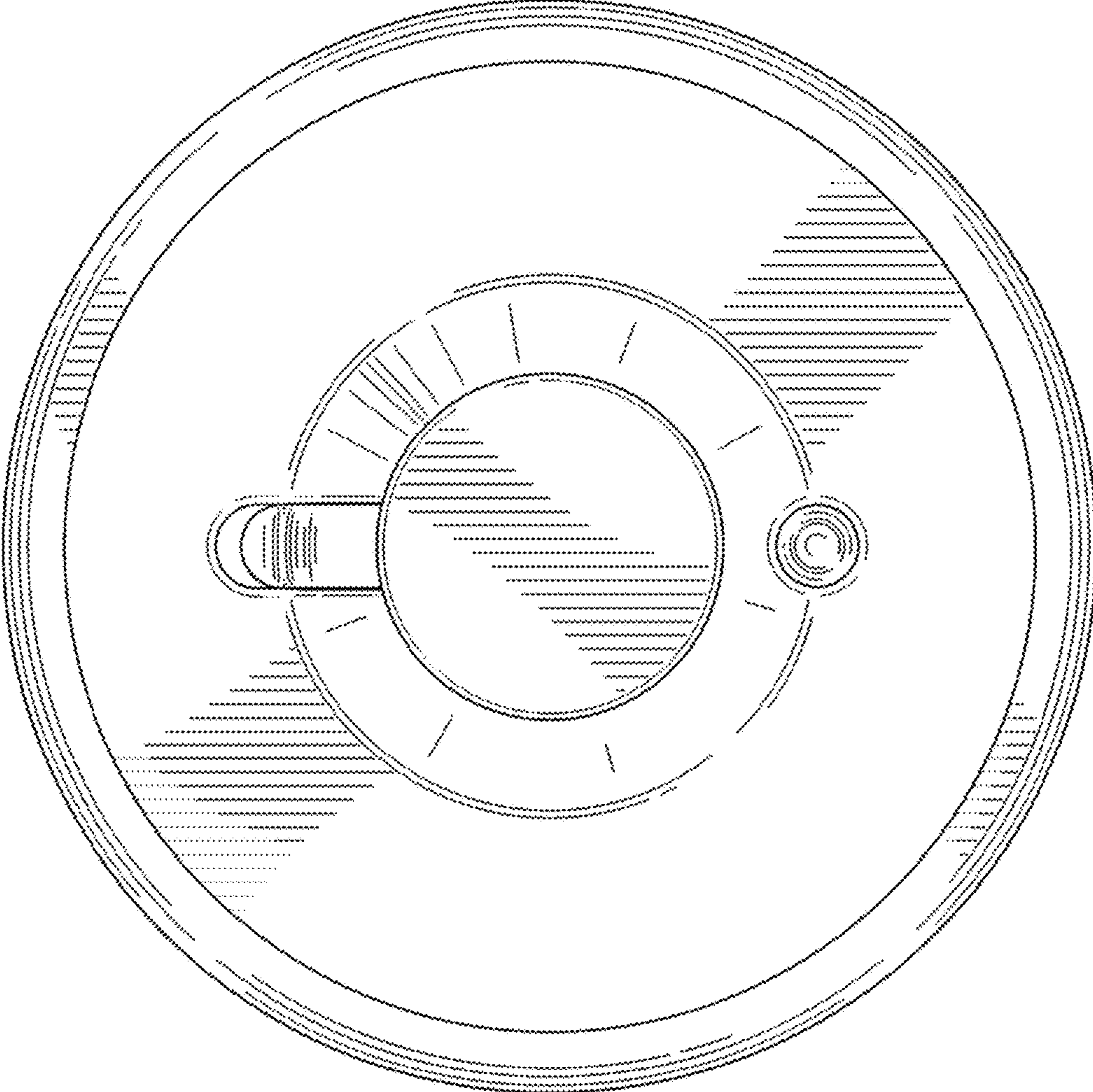


FIG. 5

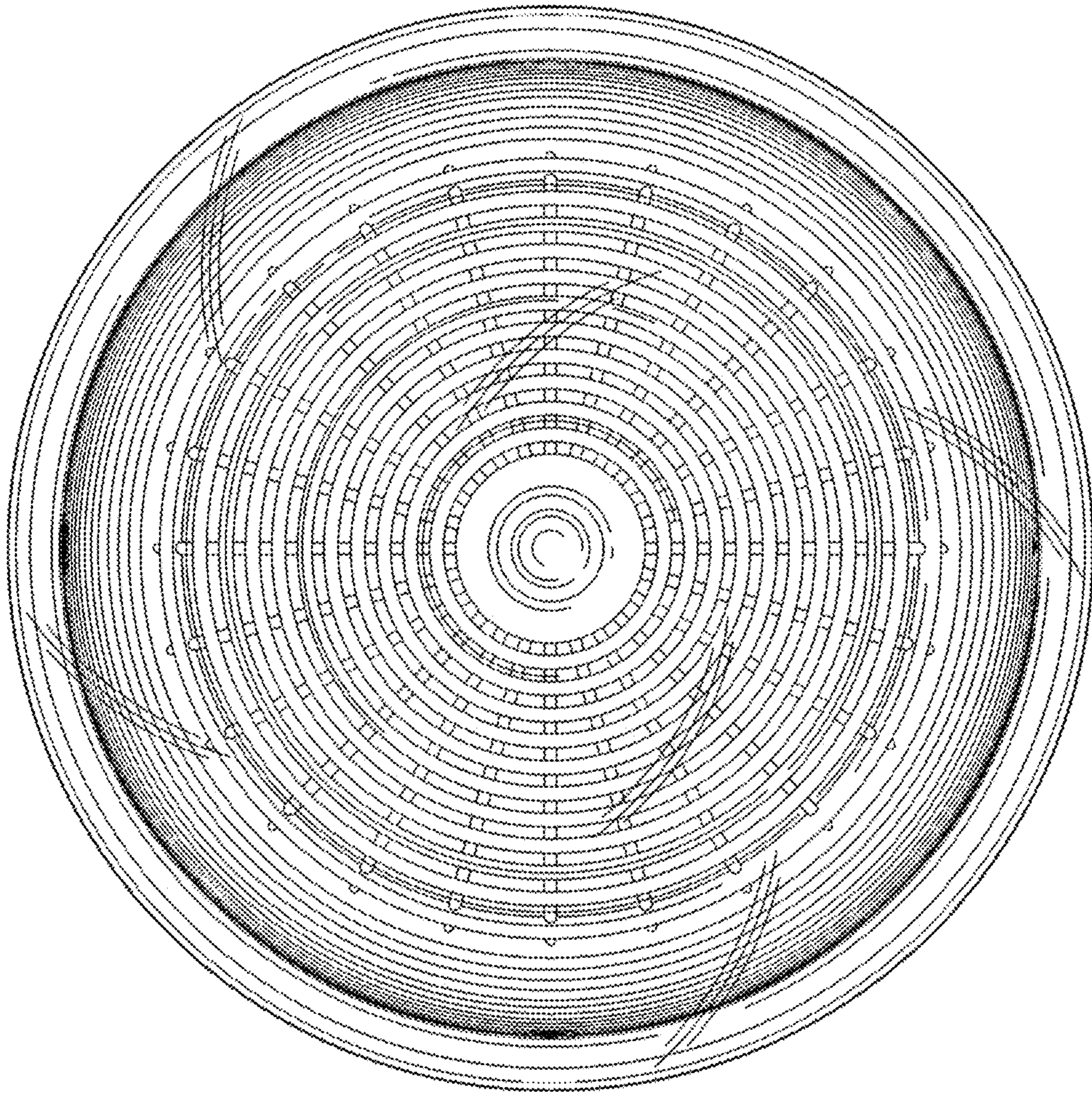


FIG. 6