



US00D829061S

(12) **United States Design Patent**
King et al.

(10) **Patent No.:** **US D829,061 S**
(45) **Date of Patent:** **** Sep. 25, 2018**

(54) **OIL PRESS**

(71) Applicant: **FOXNUM TECHNOLOGY CO., LTD.**, Taichung (TW)

(72) Inventors: **Yueh-Hsun King**, Taichung (TW);
Tung-Jui Yang, Taichung (TW);
Chun-Che Chang, Taichung (TW)

(73) Assignee: **FOXNUM TECHNOLOGY CO., LTD.**, Taichung (TW)

(**) Term: **15 Years**

(21) Appl. No.: **29/563,156**

(22) Filed: **May 3, 2016**

(30) **Foreign Application Priority Data**

Feb. 19, 2016 (TW) 105300773

(51) **LOC (11) Cl.** **31-00**

(52) **U.S. Cl.**
USPC **D7/665**

(58) **Field of Classification Search**
USPC D7/300, 304, 305, 309, 310, 311, 312,
D7/313, 368, 372, 373, 374, 375, 376,
D7/377, 378, 379, 380, 381, 382, 383,
D7/384, 385, 386, 412, 665, 666, 667
CPC A47J 31/44
See application file for complete search history.

(56) **References Cited**

U.S. PATENT DOCUMENTS

D361,689 S * 8/1995 McCloskey D7/300
5,836,169 A * 11/1998 Marlette A47J 31/007
62/331

D499,599 S * 12/2004 Morrison D7/306
D633,746 S * 3/2011 Lam D7/309
D682,629 S * 5/2013 Bachmann D7/665
D738,153 S * 9/2015 Brook D7/309

FOREIGN PATENT DOCUMENTS

CN 303829041 * 2/2016

* cited by examiner

Primary Examiner — Karen S Acker

Assistant Examiner — Steven B Reinholdt, Jr.

(74) *Attorney, Agent, or Firm* — ScienBiziP, P.C.

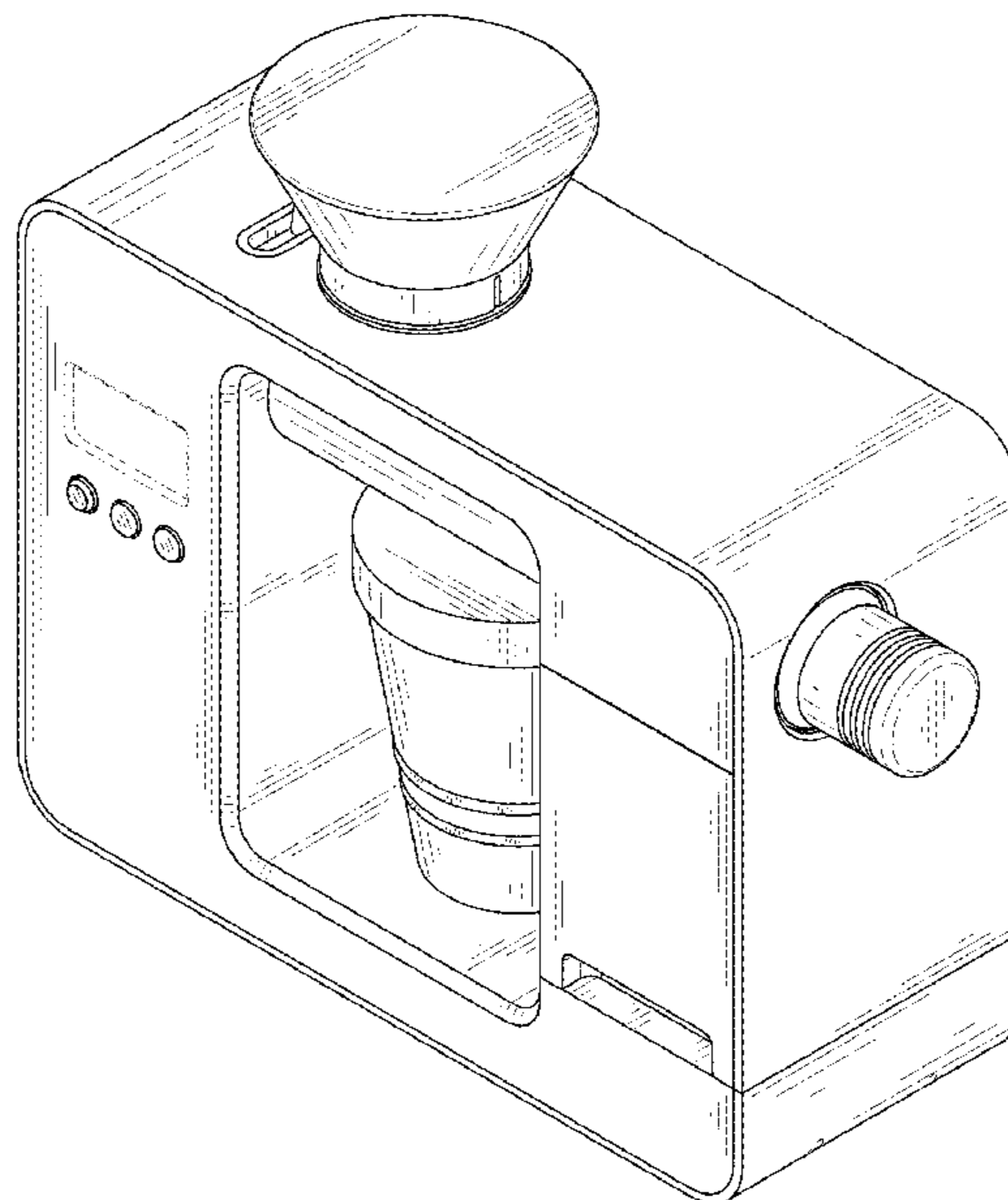
(57) **CLAIM**

The ornamental design for an oil press, as shown and described.

DESCRIPTION

FIG. 1 is a perspective view of an oil press showing our design;
FIG. 2 is a front elevational view thereof;
FIG. 3 is a rear elevational view thereof;
FIG. 4 is a left-side elevational view thereof;
FIG. 5 is a right-side elevational view thereof;
FIG. 6 is a top plan view thereof; and,
FIG. 7 is a bottom plan view thereof.
The broken lines in the figures depict portions of the oil press that form no part of the claimed design.

1 Claim, 7 Drawing Sheets



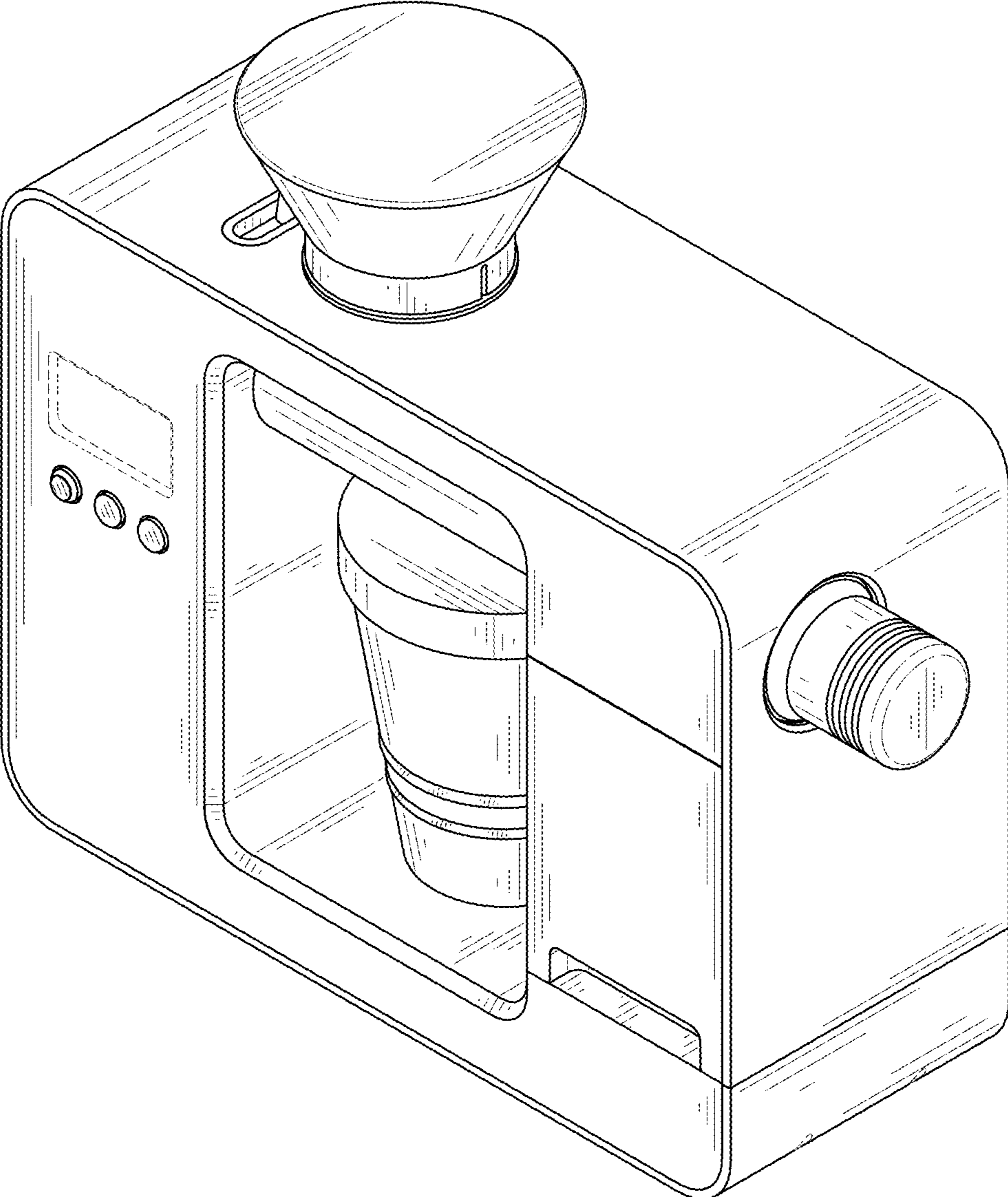


FIG. 1

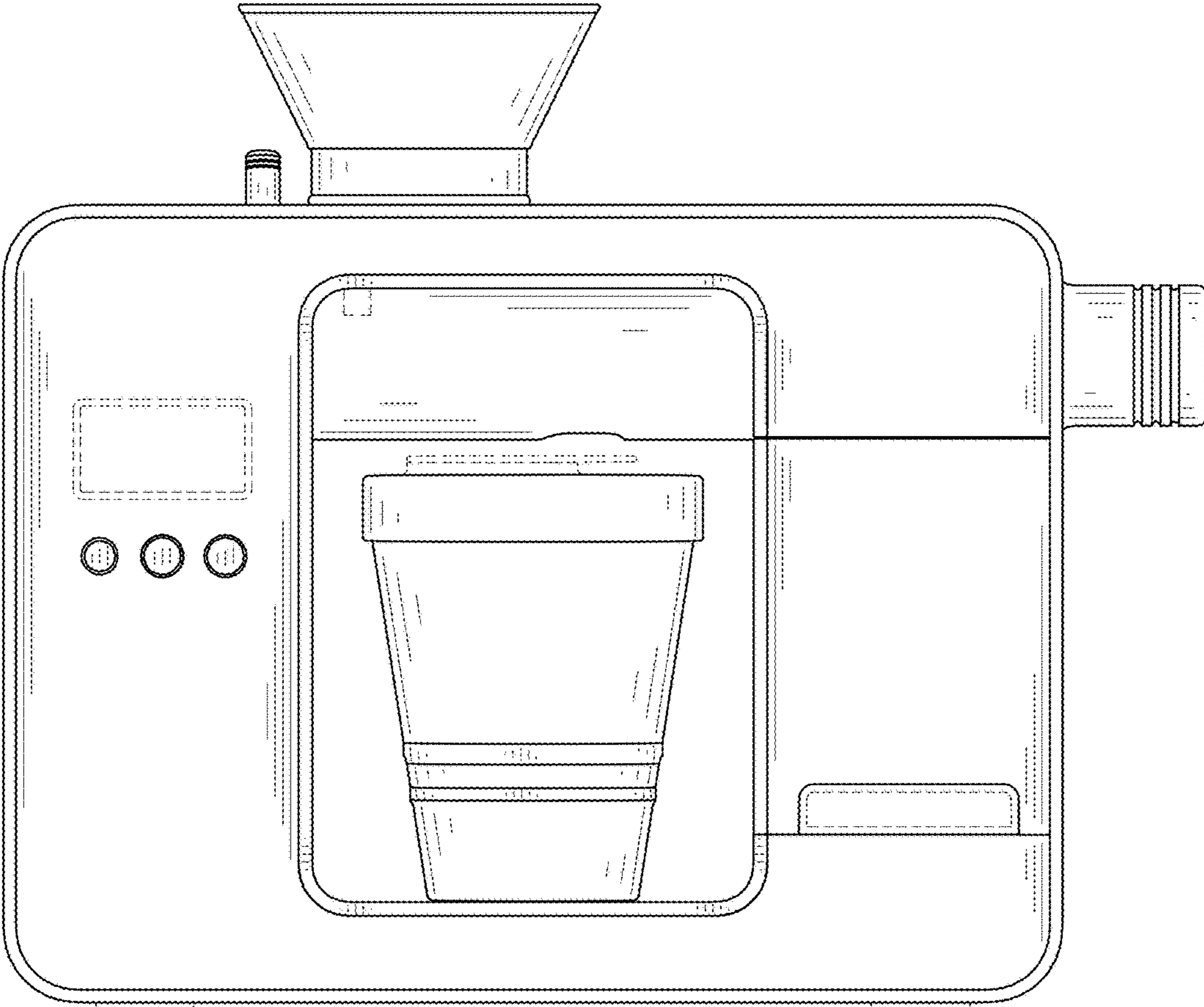


FIG. 2

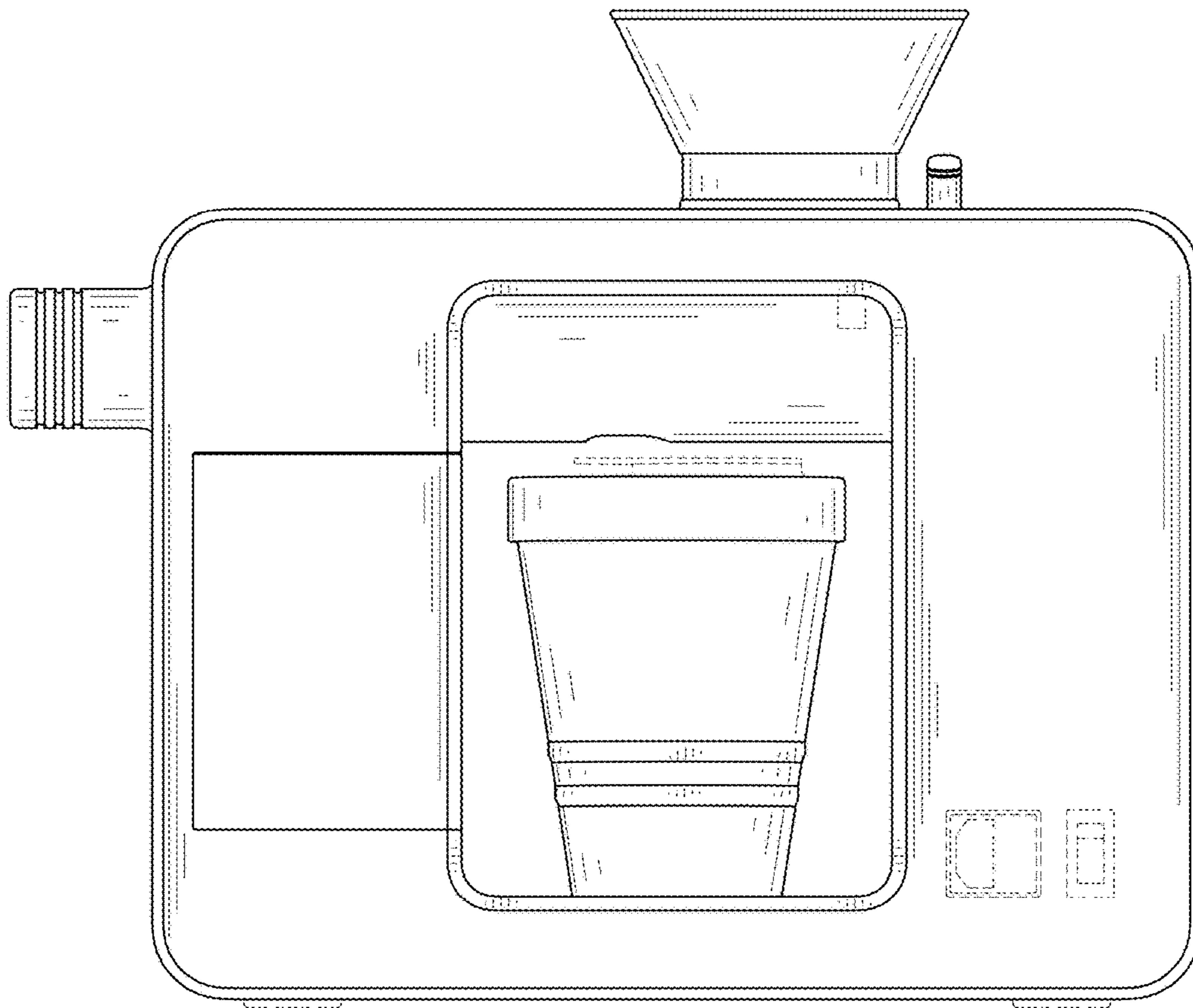


FIG. 3

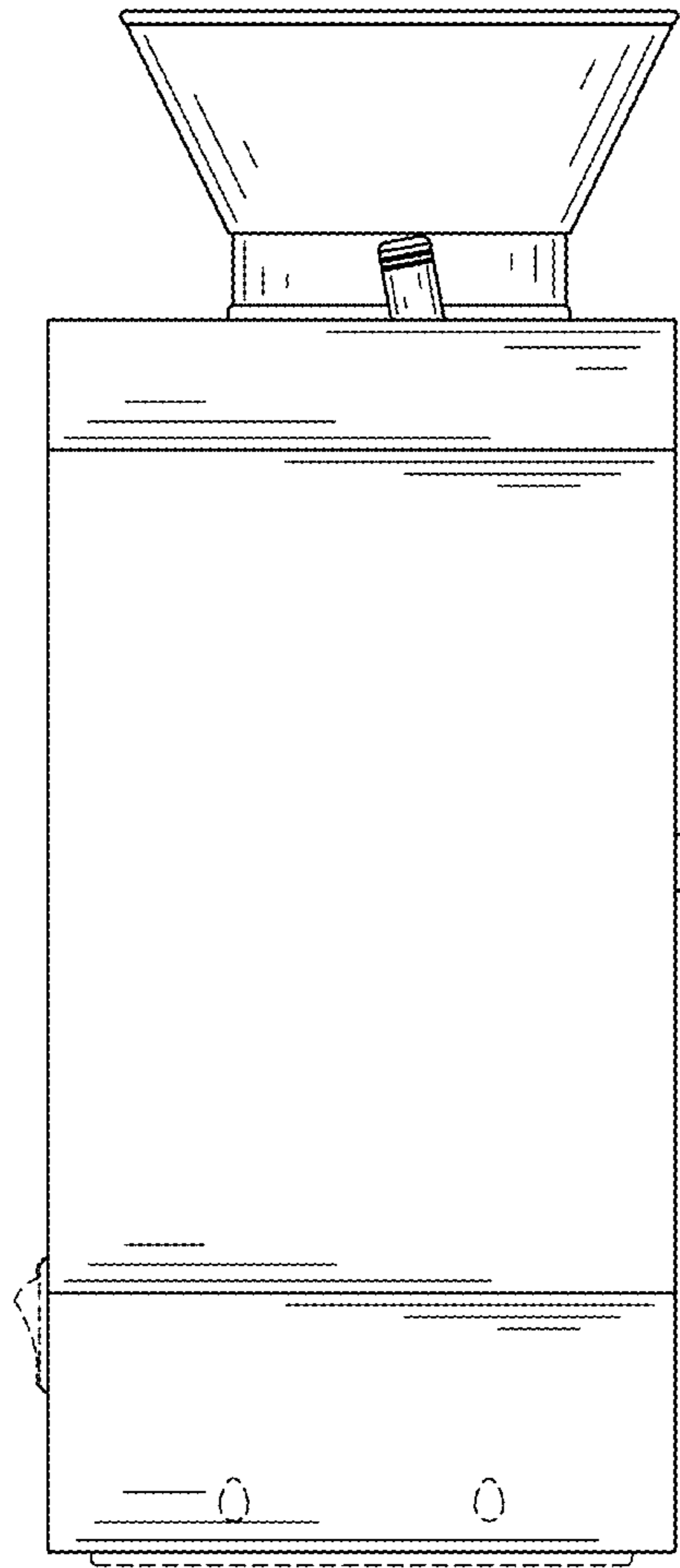


FIG. 4

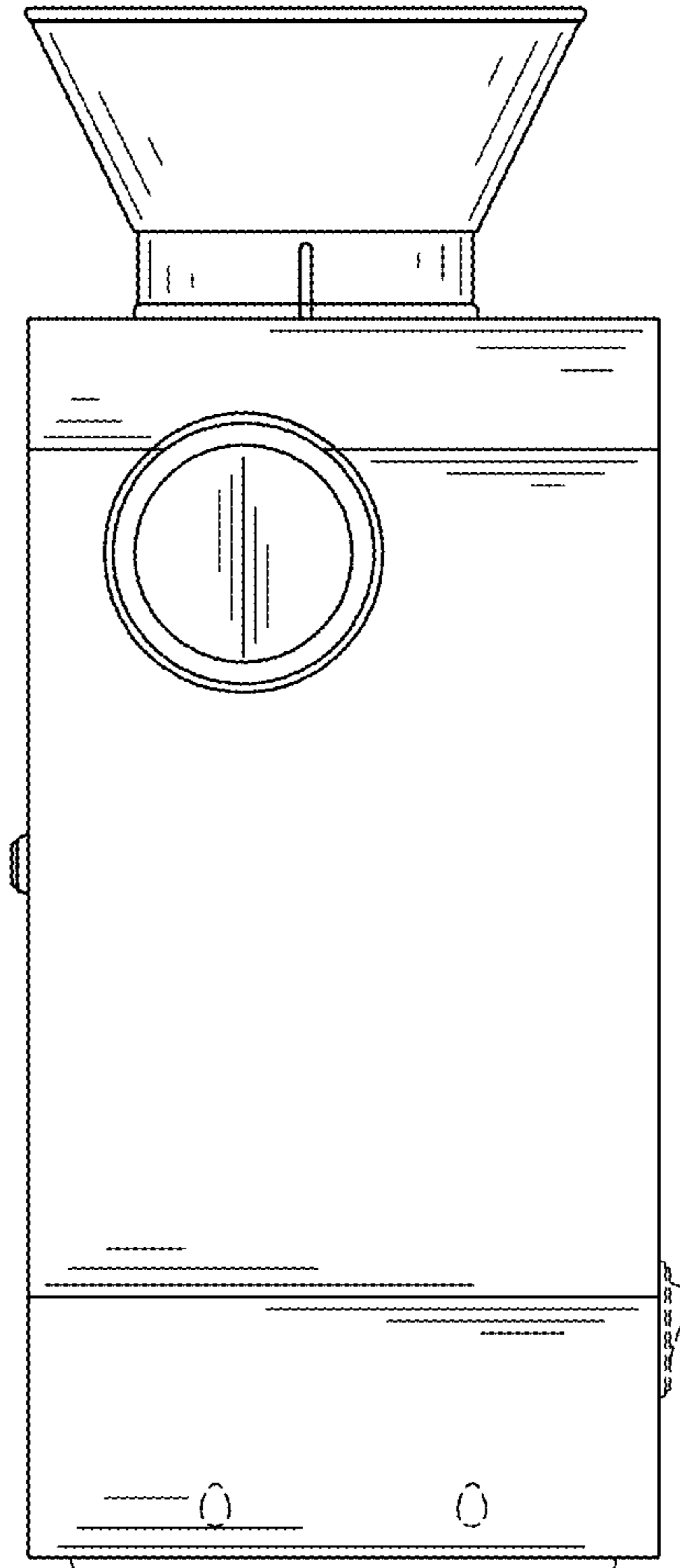


FIG. 5

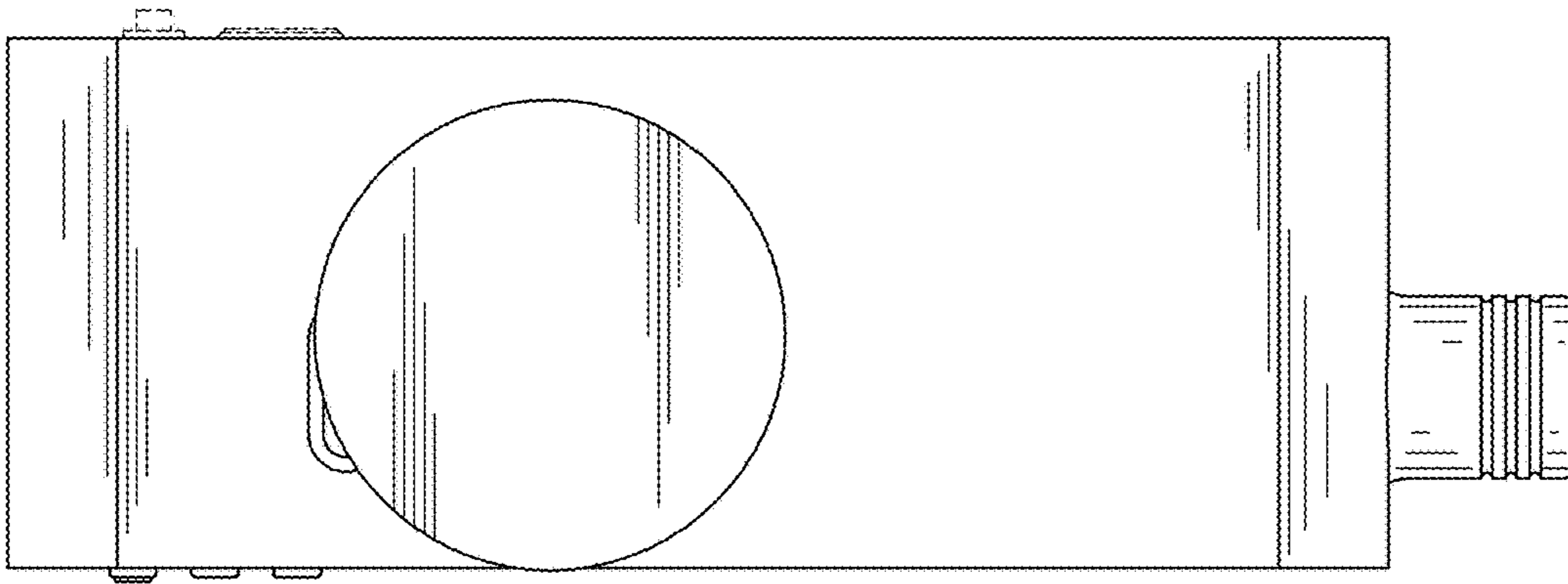


FIG. 6

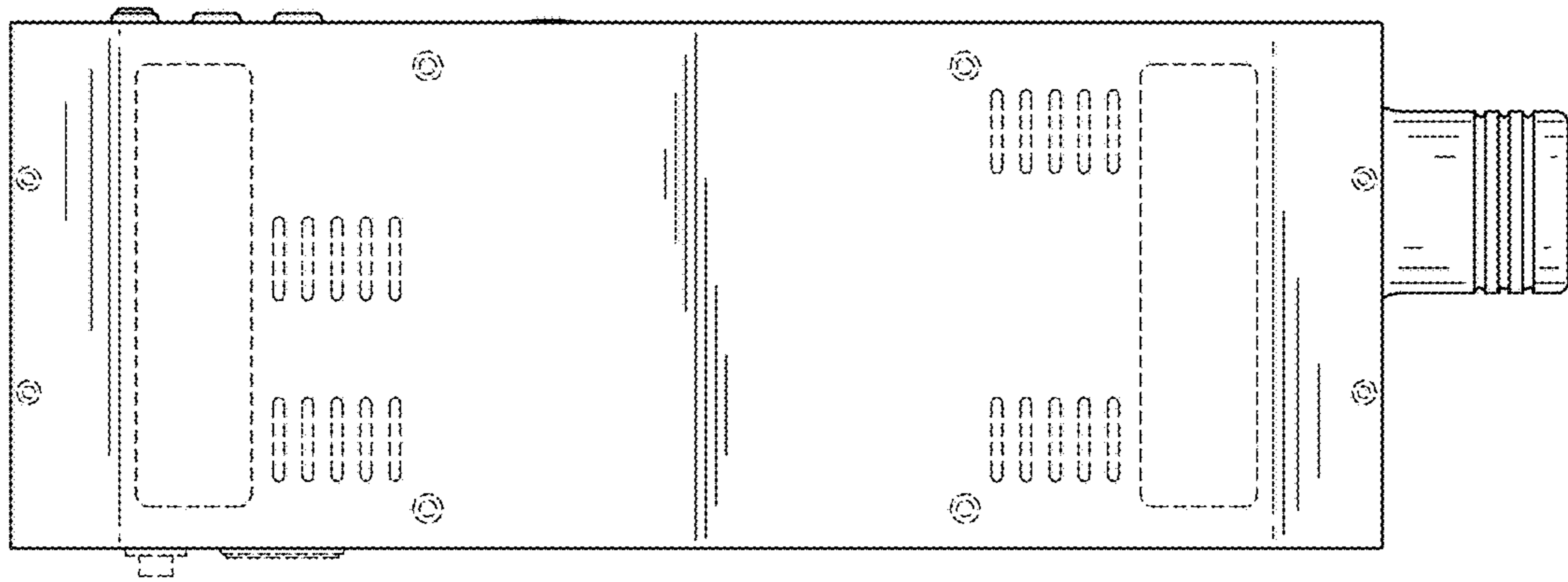


FIG. 7