



US00D829058S

(12) **United States Design Patent** (10) **Patent No.:** **US D829,058 S**
Seiders et al. (45) **Date of Patent:** **** Sep. 25, 2018**

- (54) **BEVERAGE HOLDER**
- (71) Applicant: **YETI Coolers, LLC**, Austin, TX (US)
- (72) Inventors: **Roy Joseph Seiders**, Austin, TX (US);
John Alan Tolman, Austin, TX (US)
- (73) Assignee: **YETI Coolers, LLC**, Austin, TX (US)
- (**) Term: **15 Years**
- (21) Appl. No.: **29/596,829**
- (22) Filed: **Mar. 10, 2017**

899,290 A 9/1908 Bricker et al.
 1,133,420 A 3/1915 Young
 D47,798 S 9/1915 Pick
 (Continued)

FOREIGN PATENT DOCUMENTS

CN 3606899 2/2007
 CN 202104668 U 1/2012
 (Continued)

OTHER PUBLICATIONS

“Hooler the handheld cooler”, published on Apr. 12, 2014, retrieved from <https://web.archive.org/web/20140412062054/http://www.hoolercooler.com/> on Aug. 4, 2015.

(Continued)

Related U.S. Application Data

- (63) Continuation of application No. 29/581,483, filed on Oct. 19, 2016, which is a continuation of application No. 29/540,989, filed on Sep. 29, 2015, now Pat. No. Des. 780,531, which is a continuation of application No. 29/500,908, filed on Aug. 29, 2014, now Pat. No. Des. 752,397.
- (51) **LOC (11) Cl.** **07-06**
- (52) **U.S. Cl.**
USPC **D7/624.2; D7/608**
- (58) **Field of Classification Search**
USPC D7/619.1-625, 603-608, 701-708;
D9/455
CPC B65D 81/3881; B65D 81/3886; B65D 81/3883; B65D 23/08; A47G 23/0241; A47G 23/0266; A47G 19/2288; A61F 7/10; F25D 3/08; F25D 3/12; F25D 3/14; A45C 11/20
See application file for complete search history.

Primary Examiner — Terry A Wallace

(74) *Attorney, Agent, or Firm* — Banner & Witcoff, Ltd.

(57) **CLAIM**

The ornamental design for a beverage holder, as shown and described.

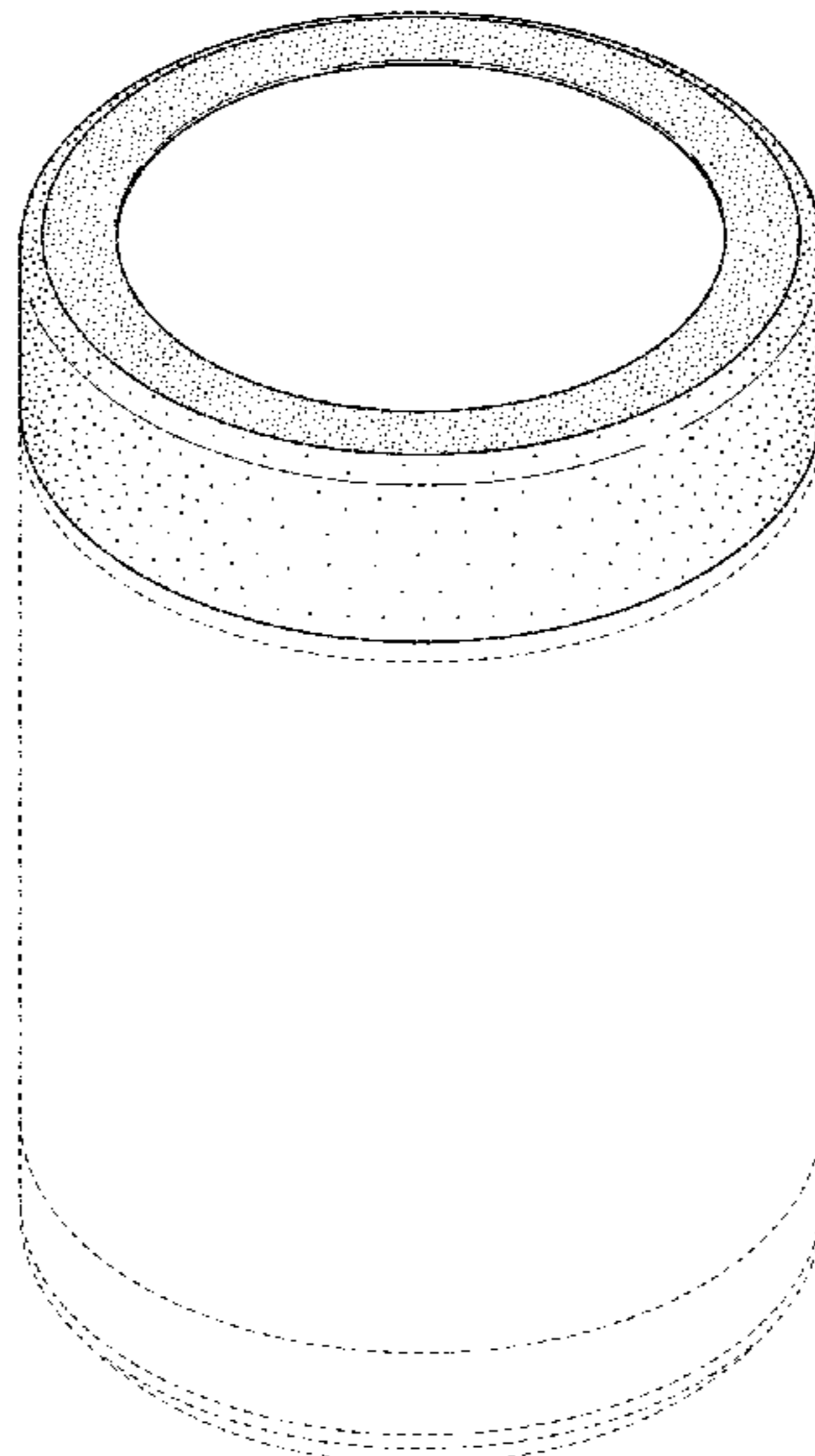
DESCRIPTION

FIG. 1 is a top, front, right perspective view of a beverage holder showing our new design;
 FIG. 2 is a front view thereof;
 FIG. 3 is a right side view thereof;
 FIG. 4 is a rear view thereof;
 FIG. 5 is a left side view thereof;
 FIG. 6 is a top view thereof; and,
 FIG. 7 is a bottom view thereof.

The broken lines immediately adjacent to the shaded areas represent unclaimed boundaries of the design. The unshaded regions within or adjacent to the shaded areas form no part of the claimed design. The broken lines showing the remainder of the beverage holder are for environmental purposes only and form no part of the claimed design.

1 Claim, 4 Drawing Sheets

- (56) **References Cited**
U.S. PATENT DOCUMENTS
D2,440 S 9/1866 Matthews, Jr.
604,514 A 5/1898 Belden



(56)

References Cited

U.S. PATENT DOCUMENTS

2,029,429 A	2/1936	Koons		4,720,023 A	1/1988	Jeff	
2,070,414 A	2/1937	Snell		4,746,028 A	5/1988	Bagg	
D105,373 S	7/1937	Connor		D298,200 S	10/1988	Block et al.	
2,088,387 A	7/1937	Rice, Jr. et al.		4,798,063 A *	1/1989	Rimmer	B65D 81/3886
2,128,466 A	8/1938	Machotka					62/371
2,215,402 A	9/1940	McDonald		D300,495 S	4/1989	Minuti	
2,215,691 A	9/1940	East		D301,821 S	6/1989	Bartolo	
2,378,867 A	6/1945	Reichart		4,848,625 A	7/1989	Lucia	
2,484,608 A	10/1949	Cheyney		4,953,743 A	9/1990	Dart et al.	
D177,559 S	5/1956	Emmert		D312,044 S	11/1990	Davis	
2,871,051 A	1/1959	Nesslein et al.		4,993,675 A	2/1991	Walker	
D186,555 S	11/1959	Hunt		D318,428 S	7/1991	Kowk	
2,928,570 A	3/1960	Fitch		D322,753 S	12/1991	Sussman	
2,981,562 A	4/1961	Long		D324,281 S	2/1992	Brussing	
3,128,029 A	4/1964	Price		D324,976 S	3/1992	Katz	
3,202,309 A	8/1965	Simpson		D327,093 S	6/1992	Evenson	
3,206,210 A	9/1965	Bard		D334,869 S	4/1993	Mills	
3,261,633 A	7/1966	Sakuta		D337,029 S	7/1993	McKechnie	
3,342,370 A	9/1967	Johnson		5,249,703 A	10/1993	Karp	
D209,308 S	11/1967	Schilling		D345,676 S	4/1994	Biffle	
3,353,729 A	11/1967	Hull		D352,210 S	11/1994	Cousins et al.	
D209,533 S	12/1967	Cole		5,390,804 A	2/1995	Beggins	
D211,818 S	7/1968	Massey		5,398,842 A	3/1995	Sokolski et al.	
3,421,681 A	1/1969	Frank		5,400,907 A	3/1995	Chen	
3,458,164 A	7/1969	Massey		D357,387 S	4/1995	Davidson et al.	
3,463,140 A	8/1969	Rollor		D358,531 S	5/1995	Cousins et al.	
D217,781 S	6/1970	Stone		5,427,269 A	6/1995	Willbrandt	
3,571,940 A	3/1971	Bender		D360,133 S	7/1995	Boller	
3,578,524 A	5/1971	Ignell		5,433,337 A	7/1995	Willbrandt	
3,603,106 A	9/1971	Ryan et al.		D363,642 S	10/1995	Goto et al.	
3,679,253 A	7/1972	Simms		5,467,891 A *	11/1995	Perry	B65D 81/3886
3,682,352 A	8/1972	Doucette					220/62.11
3,730,383 A	5/1973	Dunn et al.		D366,186 S	1/1996	Kato	
3,753,512 A	8/1973	Curry		D368,830 S	4/1996	Lu	
3,755,030 A	8/1973	Doman et al.		D370,300 S	5/1996	Gottvald et al.	
D229,006 S	11/1973	Sauey		5,531,353 A	7/1996	Ward et al.	
3,979,011 A	9/1976	Schleicher		D372,839 S	8/1996	Laib	
3,995,445 A	12/1976	Huskins		D375,870 S	11/1996	Stonehouse	
D246,029 S	10/1977	Lynn et al.		5,573,141 A	11/1996	Chen	
4,120,073 A	10/1978	Studebaker		D377,741 S	2/1997	Bennett et al.	
4,127,915 A	12/1978	Logan et al.		D379,738 S	6/1997	Liming et al.	
4,136,799 A	1/1979	Albert		D382,174 S	8/1997	Grimm	
D251,175 S	2/1979	Logan et al.		5,655,805 A	8/1997	Shaddy	
4,151,923 A	5/1979	Bernardi et al.		D384,557 S	10/1997	Goza	
4,163,374 A *	8/1979	Moore	B65D 81/3883	D386,948 S	12/1997	Wissinger	
			220/592.01	D395,200 S	6/1998	Bidwell	
4,183,226 A *	1/1980	Moore	B65D 81/3883	D395,238 S	6/1998	Freitas	
			220/903	5,769,262 A	6/1998	Yamada et al.	
D254,417 S	3/1980	DeMars et al.		D395,825 S	7/1998	Freitas	
D256,418 S	8/1980	Corbett		D396,381 S	7/1998	Chung	
4,253,630 A	3/1981	Rigg		D396,605 S	8/1998	Benson	
D258,795 S	4/1981	Zamorski		5,788,298 A	8/1998	Cheng	
D263,581 S	3/1982	Kaye		5,799,369 A	9/1998	Schulein	
D265,159 S	6/1982	La Barbera		D399,099 S	10/1998	Cousins	
D265,279 S	7/1982	Wright		5,816,631 A	10/1998	Kochan	
D265,880 S	8/1982	Craig		5,820,016 A	10/1998	Stropkay	
4,344,303 A *	8/1982	Kelly, Jr.	A61F 7/10	D402,766 S	12/1998	Smith et al.	
			215/12.1	5,848,722 A	12/1998	Hanes	
D266,391 S	10/1982	Jordon		D404,974 S	2/1999	Kristinik	
D269,147 S	5/1983	Trombly		D405,609 S	2/1999	Fu et al.	
4,452,374 A	6/1984	Hitchcock et al.		5,868,310 A	2/1999	Leszczynski	
4,452,375 A	6/1984	Marcus		D408,689 S	4/1999	Kato	
4,456,134 A	6/1984	Cooper		D412,806 S	8/1999	Pierce	
D274,502 S	7/1984	Little		D415,651 S	10/1999	Trombly	
4,540,611 A *	9/1985	Henderson	B65D 23/08	D416,444 S	11/1999	Jørgensen	
			150/901	D416,757 S	11/1999	Ginuntoli	
D285,032 S	8/1986	Alonzo		D417,589 S	12/1999	Parker	
D286,604 S	11/1986	Bierlein et al.		D417,590 S	12/1999	Kato	
4,620,642 A	11/1986	Wertz et al.		D417,593 S	12/1999	Ruegg	
D286,967 S	12/1986	Appel		D417,819 S	12/1999	Kelly-Pollet	
D288,766 S	3/1987	Tardif		D418,013 S	12/1999	Fujii	
4,654,274 A	3/1987	DeMars		6,050,443 A	4/2000	Tung	
D289,143 S	4/1987	Guillaume		6,065,609 A	5/2000	Lake	
D289,484 S	4/1987	Forquer et al.		6,065,632 A	5/2000	Moore, Jr.	
4,715,633 A	12/1987	Brink et al.		D427,853 S	7/2000	Kohlhase	
				6,085,931 A	7/2000	Sadow	
				D429,607 S	8/2000	Prim	
				6,094,935 A	8/2000	Stein	
				6,102,458 A	8/2000	Scace	

(56)

References Cited

U.S. PATENT DOCUMENTS

6,135,312 A	10/2000	Chen et al.	D540,124 S	4/2007	Ross
D433,599 S	11/2000	Kristiansen et al.	7,201,285 B2	4/2007	Beggins
D433,876 S	11/2000	Freed	7,207,538 B2	4/2007	Kent-Fawkes
6,149,028 A	11/2000	Yu	D547,611 S	7/2007	Seum et al.
6,161,720 A	12/2000	Castle	D548,012 S	8/2007	Tien
D436,295 S	1/2001	Furman et al.	D552,932 S	10/2007	Carlson
D437,187 S	2/2001	Cheng	D553,440 S	10/2007	Bodum
6,216,909 B1	4/2001	Lin	7,284,777 B1	10/2007	Kraemer
D441,288 S	5/2001	Pillers et al.	D556,509 S	12/2007	Bonini
D442,833 S *	5/2001	Shuman D7/608	D557,567 S	12/2007	Gronikowski et al.
6,237,801 B1	5/2001	Liu	D561,590 S	2/2008	Kingsley
6,241,415 B1	6/2001	Stark	D562,072 S	2/2008	Wahl
D445,687 S	7/2001	Gilbertson	D564,356 S	3/2008	Nickleberry
6,260,732 B1	7/2001	Khodush	D565,901 S	4/2008	Edelstein et al.
D446,687 S	8/2001	Furman et al.	D566,471 S	4/2008	Bodum
6,332,557 B1	12/2001	Moran	D568,685 S	5/2008	Bodum
6,352,168 B1	3/2002	Lin	D569,183 S	5/2008	Blake
6,352,235 B2	3/2002	Cizek	H2217 H	6/2008	Smay et al.
6,360,913 B1	3/2002	Bruinsma et al.	H002217 H *	6/2008	Smay D9/503
D455,052 S *	4/2002	Gullickson D7/619.1	D570,213 S	6/2008	Newman
D455,610 S	4/2002	Bridges	D572,136 S	7/2008	Boni
D455,612 S *	4/2002	Gullickson D7/619.1	D573,390 S	7/2008	Ablo
D455,613 S	4/2002	Bruinsma et al.	D577,260 S	9/2008	Bodum
D456,578 S	4/2002	Smith et al.	D585,245 S	1/2009	Brouillette
D457,245 S	5/2002	Royal et al.	D587,523 S	3/2009	Moon
D457,389 S	5/2002	Snell	D587,967 S	3/2009	Wahl
6,392,206 B1	5/2002	Von Arx et al.	D588,912 S	3/2009	Christensen et al.
D458,081 S	6/2002	Bodum	D592,015 S	5/2009	Carpenter
D460,895 S	7/2002	Lin	D592,056 S	5/2009	Tedford, Jr.
D462,879 S	9/2002	Martens	D592,058 S	5/2009	Rapaport
6,450,363 B1	9/2002	Lin	7,527,310 B2	5/2009	Shaskey, Sr.
D463,715 S	10/2002	Dretzka	D593,372 S	6/2009	Carreno
D465,132 S	11/2002	Janky et al.	D593,811 S	6/2009	Carreno
D466,371 S	12/2002	Parker	D593,859 S	6/2009	Barnum
D466,814 S	12/2002	Hurlburt	D594,687 S	6/2009	Bodum
D470,724 S	2/2003	Basara	D595,133 S	6/2009	Lewis
D471,064 S	3/2003	Renz	D598,747 S	8/2009	Caldwell
D471,763 S	3/2003	Hurlbut et al.	D600,073 S	9/2009	Carreno
D472,101 S	3/2003	Janky	7,581,704 B1	9/2009	Pugsley
D472,145 S	3/2003	Nottingham et al.	7,581,770 B2	9/2009	Jones
D474,651 S	5/2003	Ward	7,604,270 B1	10/2009	McCarthy
6,557,751 B2	5/2003	Puerini	D608,133 S	1/2010	Choi
D476,193 S	6/2003	Janky	D609,534 S	2/2010	Traficante et al.
D476,528 S	7/2003	Janky et al.	D610,006 S	2/2010	Ortell
D477,185 S	7/2003	Janky	D610,176 S	2/2010	Nagamine et al.
6,588,064 B2	7/2003	Baum	7,686,183 B2	3/2010	Ziegler
6,626,326 B2 *	9/2003	Murakami B65D 81/3881 220/23.87	D613,554 S	4/2010	Koennecke
D483,165 S	12/2003	Dretzka	D615,366 S	5/2010	Berezansky
D483,610 S	12/2003	Kerman	D615,817 S	5/2010	George
D483,995 S	12/2003	Otake	D616,248 S	5/2010	George
D484,361 S	12/2003	Jeung	D617,608 S	6/2010	Yang et al.
6,658,701 B1	12/2003	DeHart et al.	D617,640 S	6/2010	Jones
D488,673 S	4/2004	Farce	D618,964 S	7/2010	Eisenhardt
D489,574 S	5/2004	Copeland	D621,667 S	8/2010	Ablo
D490,274 S	5/2004	Irvine	D622,548 S	8/2010	Jensen et al.
6,729,665 B1	5/2004	Posey et al.	D622,554 S	8/2010	Carreno
D493,068 S	7/2004	Slater et al.	D626,414 S	11/2010	Cresswell et al.
D493,332 S	7/2004	Bin	D627,192 S	11/2010	Gilbert et al.
D497,778 S	11/2004	Rich	D629,657 S *	12/2010	Carreno D7/629
D502,050 S	2/2005	Munson et al.	D629,691 S	12/2010	Cresswell et al.
6,864,462 B2	3/2005	Sanoner et al.	D631,699 S	2/2011	Moreau
D507,155 S	7/2005	Gosen et al.	D635,400 S	4/2011	Snyder
6,962,265 B1	11/2005	Zhang	D636,640 S	4/2011	Latham
D512,272 S	12/2005	Avrish	D641,591 S	7/2011	Tsukida
D512,275 S	12/2005	Kent-Fawkes	D643,289 S	8/2011	Harlan
6,979,031 B2	12/2005	Coppotelli et al.	D648,599 S	11/2011	Watanabe et al.
D524,607 S	7/2006	Kent-Fawkes	D652,256 S	1/2012	Eyal
D527,222 S	8/2006	Liu	D653,082 S	1/2012	George
D530,852 S	10/2006	Zheng	D655,134 S	3/2012	Gilbert
D533,748 S	12/2006	Bresler	D656,361 S	3/2012	Gilbert
D534,396 S	1/2007	Kramer	D657,670 S	4/2012	Folos et al.
D537,676 S	3/2007	Kingsley	D658,922 S	5/2012	Fallon et al.
D537,677 S	3/2007	Bresler	D659,474 S	5/2012	Wahl et al.
7,195,137 B2	3/2007	Belcastro	D660,082 S	5/2012	Wahl
			D660,084 S *	5/2012	Gilbert D7/510
			D660,655 S	5/2012	Wahl et al.
			D663,169 S *	7/2012	Beggins D7/608

(56)

References Cited

U.S. PATENT DOCUMENTS

D664,001 S 7/2012 Liu
 8,225,957 B1 7/2012 Volan
 D665,491 S 8/2012 Goel et al.
 D666,061 S 8/2012 Ying
 8,251,247 B1 * 8/2012 Breckner A47G 23/0266
 220/592.16
 D669,735 S 10/2012 Wong
 D670,525 S 11/2012 Fallon et al.
 D675,063 S 1/2013 Wahl
 D675,066 S 1/2013 Conlin et al.
 D675,100 S 1/2013 Herbst
 8,364,542 B2 1/2013 Grauel et al.
 D676,746 S 2/2013 Shaffer et al.
 D679,949 S 4/2013 Meritt
 D679,960 S * 4/2013 Hopkins D7/629
 D680,375 S 4/2013 Pousard et al.
 D680,387 S 4/2013 Hopkins et al.
 D682,625 S 5/2013 Lane
 D682,626 S 5/2013 Lane
 D684,459 S 6/2013 Stowe et al.
 D685,231 S 7/2013 Lane
 8,499,951 B1 8/2013 McDonald et al.
 D691,847 S 10/2013 Beckman
 D693,176 S 11/2013 Kaiser
 D693,649 S 11/2013 Yeung
 D694,112 S 11/2013 Brown
 D695,138 S 12/2013 Ball
 8,608,019 B2 12/2013 Wren
 D698,200 S 1/2014 Lauwagie
 D699,595 S 2/2014 Farrow et al.
 8,684,430 B1 4/2014 Brandon
 D705,012 S 5/2014 Lapsker
 D709,737 S 7/2014 Weinert et al.
 D709,738 S 7/2014 Weinert et al.
 D710,155 S * 8/2014 Tatsukawa D7/608
 D710,698 S 8/2014 Giraud et al.
 D711,684 S 8/2014 Perdomo
 D712,701 S 9/2014 Boroski
 D713,686 S 9/2014 Eyal
 D715,100 S 10/2014 Eyal
 D715,101 S 10/2014 Grcic
 D717,605 S 11/2014 Kristinik
 D717,606 S 11/2014 Kristinik
 D719,785 S 12/2014 Grcic
 D719,788 S 12/2014 Soltz et al.
 D720,187 S 12/2014 Romley
 8,899,644 B2 12/2014 Hancey
 8,919,603 B2 12/2014 Greene
 D721,250 S 1/2015 Chen et al.
 D721,546 S 1/2015 Davidson
 D724,385 S 3/2015 Hurley et al.
 D727,688 S * 4/2015 Hewitt D7/608
 D728,311 S 5/2015 Eyal
 D728,314 S 5/2015 Carstensen et al.
 D729,581 S 5/2015 Boroski
 9,021,662 B1 5/2015 Jones
 9,038,850 B1 5/2015 Wilson
 D731,240 S 6/2015 Bell et al.
 D731,241 S 6/2015 Yessin et al.
 D731,251 S 6/2015 Lane
 D732,338 S 6/2015 Boroski
 D732,343 S 6/2015 Romley
 D732,347 S 6/2015 Katterheinrich et al.
 D734,096 S 7/2015 George et al.
 D740,073 S 10/2015 Zorovich et al.
 D740,077 S 10/2015 Strepkoff
 D740,618 S 10/2015 Knoll
 D742,743 S 11/2015 Thurin et al.
 D743,207 S 11/2015 Pendleton et al.
 D747,929 S 1/2016 Arseneau et al.
 D751,341 S 3/2016 Seiders et al.
 D752,397 S 3/2016 Seiders et al.
 D754,536 S 4/2016 Arriaga
 D759,483 S 6/2016 Jalet
 D764,870 S 8/2016 Choi

D766,661 S 9/2016 Bodum
 D773,250 S 12/2016 Miller
 D779,285 S 2/2017 Seiders et al.
 D779,891 S 2/2017 Seiders et al.
 D779,892 S 2/2017 Seiders et al.
 D780,527 S 3/2017 Salaam
 D780,530 S 3/2017 Seiders et al.
 D780,531 S 3/2017 Seiders et al.
 D780,532 S 3/2017 Seiders et al.
 D780,533 S 3/2017 Seiders et al.
 D784,137 S 4/2017 Cates
 D786,023 S 5/2017 Polack et al.
 D786,025 S 5/2017 Seiders et al.
 D786,673 S 5/2017 Moffat
 D787,893 S 5/2017 Seiders et al.
 D790,272 S 6/2017 Han
 D791,543 S 7/2017 Mulhauser et al.
 D793,172 S 8/2017 Medina
 D795,007 S 8/2017 Plassmeyer
 D795,643 S 8/2017 Barlow
 D797,510 S 9/2017 Ke
 D798,112 S 9/2017 Godsey
 D799,906 S 10/2017 Seiders et al.
 D801,753 S 11/2017 Piper et al.
 D803,001 S 11/2017 Bodum
 D804,556 S 12/2017 Harada et al.
 D807,125 S 1/2018 Seiders et al.
 D808,733 S 1/2018 Spivey et al.
 2002/0066758 A1 6/2002 Fadal et al.
 2004/0080930 A1 4/2004 Winters et al.
 2004/0187265 A1 9/2004 Ho
 2005/0218109 A1 10/2005 Semersky et al.
 2006/0175506 A1 8/2006 Lan
 2007/0114236 A1 5/2007 Shifter et al.
 2007/0295738 A1 12/2007 Hussain
 2008/0012368 A1 1/2008 Kent-Fawkes
 2008/0023434 A1 1/2008 Takayama
 2008/0101056 A1 5/2008 Bhavnani
 2008/0237242 A1 10/2008 Gifford
 2009/0008399 A1 1/2009 Mayled et al.
 2009/0065469 A1 3/2009 McClellan et al.
 2009/0200322 A1 8/2009 Hunter
 2011/0204017 A1 8/2011 O'Sullivan
 2011/0233219 A1 9/2011 Proskey
 2012/0074155 A1 3/2012 Yeung
 2012/0261408 A1 10/2012 White
 2013/0098932 A1 4/2013 Hunt
 2013/0186849 A1 7/2013 Iwashita
 2015/0041480 A1 2/2015 Ramsey
 2015/0108150 A1 4/2015 Arcia
 2015/0108152 A1 4/2015 Franzen et al.
 2015/0164256 A1 6/2015 Helton
 2015/0291316 A1 10/2015 Fietz
 2016/0318692 A1 11/2016 Wilson

FOREIGN PATENT DOCUMENTS

CN 202891397 U 4/2013
 CN 303263048 7/2015
 EM 000564778-0001 8/2006
 EM 001360911-0001 3/2013
 EP 004374155-0003 9/2017
 GB 3024951 7/2006
 IN 250749-0001 8/2013
 JP 1219538 10/2004
 JP 1288694 12/2006
 JP 1302290 6/2007
 JP 1370441 10/2009
 JP 1483261 11/2013
 JP 1546179 S 3/2016
 JP D2016-4373 11/2017
 KR 300840850 2/2016
 WO 0162614 A1 8/2001
 WO 2006048119 A1 5/2006
 WO 2011022857 A2 3/2011

(56)

References Cited

FOREIGN PATENT DOCUMENTS

WO 2012064184 A1 5/2012
 WO 2013163725 A1 11/2013

OTHER PUBLICATIONS

United States District Court Western District of Texas Austin Division, “Complaint for Damages and Injunctive Relief,” *Yeti Coolers, LLC v. Jennifer Leverage Bootz Evans d/b/a Bling and Burlap Buy In’s and Blanks*, Case: 1:15-cv-00995, Document #1, filed Nov. 2, 2015, 128 pages.

United States District Court Western District of Texas Austin Division, “Order Dismissing Case,” *Yeti Coolers, LLC v. Jennifer Leverage Bootz Evans d/b/a Bling and Burlap Buy In’s and Blanks*, Case: 1:15-cv-00995-RP, Document #18, filed Apr. 18, 2016, 1 page.

United States District Court Western District of Texas Austin Division, “Complaint for Damages and Injunctive Relief,” *Yeti Coolers, LLC v. RTIC Coolers, LLC*, Case: 1:16-cv-00264, Document #1, filed Mar. 2, 2016, 34 pages.

United States District Court Western District of Texas Austin Division, “Defendants’ Answer and Counterclaims to Yeti’s First Amended Complaint for Damages and Injunctive Relief,” *Yeti Coolers, LLC v. RTIC Coolers, LLC, RTIC Drinkware, LLC, RTIC Web Services, LLC, Corporate Support & Fulfillment, LLC, John Jacobsen, and James Jacobsen*, Case: 1:16-cv-00264-RP, Document #25, filed Jun. 13, 2016, 42 pages.

United States District Court Western District of Texas Austin Division, “Yeti Coolers, LLC’s First Amended Complaint,” *Yeti Coolers, LLC v. RTIC Coolers, LLC, RTIC Drinkware, LLC, RTIC Web Services, LLC, Corporate Support & Fulfillment, LLC, John Jacobsen, and James Jacobsen*, Case: 1:16-cv-00264-RP, Document #15, filed May 16, 2016, 110 pages.

United States District Court Western District of Texas Austin Division, “Complaint for Damages and Injunctive Relief,” *Yeti Coolers, LLC v. Tree Leaf Marketing, LLC, d/b/a Big Frig*, Case: 1:16-cv-00699, Document #1, filed Jun. 17, 2016, 33 pages.

United States District Court Western District of Texas Austin Division, “Complaint for Damages and Injunctive Relief,” *Yeti Coolers, LLC v. Wal-Mart Stores, Inc.*, Case: 1:16-cv-00454, Document #1, filed Apr. 8, 2016, 29 pages.

United States District Court Western District of Texas Austin Division, “Joint Rule 26(f) Report and Discovery Plan,” *Yeti Coolers, LLC v. Wal-Mart Stores, Inc. and Olympia Tools International, Inc.*, Case: 1:16-cv-00454-RP, Document 29, filed Jul. 28, 2016, 8 pages.

United States District Court Western District of Texas Austin Division, “Olympia Tools International, Inc.’s Answer to Yeti Coolers, LLC’s First Amended Complaint,” *Yeti Coolers, LLC v. Wal-Mart Stores, Inc. and Olympia Tools International, Inc.*, Case: 1:16-cv-00454-RP, Document #28, filed Jul. 14, 2016, 12 pages.

United States District Court Western District of Texas Austin Division, “Wal-Mart Stores, Inc.’s Answer to First Amended Complaint,” *Yeti Coolers, LLC v. Wal-Mart Stores, Inc. and Olympia Tools International, Inc.*, Case: 1:16-cv-00454-RP, Document #22, filed Jun. 7, 2016, 13 pages.

United States District Court Western District of Texas Austin Division, “First Amended Complaint for Damages and Injunctive Relief,” *Yeti Coolers, LLC v. Wal-Mart Stores, Inc. and Olympia Tools International, Inc.*, Case: 1:16-cv-00454-RP, Document #17, filed May 24, 2016, 26 pages.

“Siskiyou Sports CCS48F Oklahoma Sooners Flame Can Cooler”, published on Jul. 9, 2014, retrieved from <<http://www.sears.com/siskiyou-sports-ccs48f-oklahoma-sooners-flame-can-cooler/p-SPM7376348303>> on Sep. 16, 2016.

“Mini Keg Coozies! Beer Inside Kegs!”, published by Chad Dukes on Dec. 18, 2013, retrieved from <<http://beerandpig.com/category/beer/page/2/>> on Sep. 16, 2016.

“Stainless Steel Can Cooler”, published on Apr. 6, 2014, retrieved from <<http://www.belpromo.com/nd/detail.php?c=34&p=KZSS001&s=mvp23g56>> on Sep. 22, 2016.

“Stanley Vacuum Insulated Container—Thermos bottle”, published on Feb. 24, 2012, retrieved from <<https://www.youtube.com/watch?v=UCMjqZiNU3o>> on Sep. 23, 2016.

United States District Court Western District of Texas Austin Division, “Complaint for Damages and Injunctive Relief,” *Yeti Coolers, LLC v. Magnum Solace LLC*, Case: 1:16-cv-00663-RP, Document #1, filed Jun. 7, 2016, 24 pages.

United States District Court Western District of Texas Austin Division, “Joint Rule 26(f) Report and Discovery Plan,” *Yeti Coolers, LLC v. RTIC Coolers, LLC, RTIC Drinkware, LLC, RTIC Web Services, LLC, Corporate Support & Fulfillment, LLC, John Jacobsen, and James Jacobsen*, Case: 1:16-cv-00264-RP, Document #26, filed Jun. 23, 2016, 1 pages.

United States District Court Western District of Texas Austin Division, “Defendant’s Rule 12(B)(6) Motion to Dismiss,” *Yeti Coolers, LLC v. Magnum Solace LLC*, Case: 1:16-cv-00663-RP, Document #10, filed Aug. 5, 2016, 30 pages.

United States District Court Western District of Texas Austin Division, “Yeti’s Opposition to Defendant’s Motion to Dismiss,” *Yeti Coolers, LLC v. Magnum Solace LLC*, Case: 1:16-cv-00663-RP, Document #12, filed Aug. 19, 2016, 47 pages.

United States District Court Western District of Texas Austin Division, “Complaint for Damages and Injunctive Relief,” *Yeti Coolers, LLC v. MyCrew, LLC, MyCrew Drinkware, LLC, and NNRiverLife, LLC*, Case: 1:16-cv-01008, Document #1, filed Aug. 26, 2016, 29 pages.

United States District Court Western District of Texas Austin Division, “Defendant’s Reply in Support of its Rule 12(B) (6) Motion to Dismiss,” *Yeti Coolers, LLC v. Magnum Solace LLC*, Case: 1:16-cv-00663-RP, Document #13, filed Aug. 29, 2016, 18 pages.

United States District Court Western District of Texas Austin Division, “Yeti’s Supplemental Brief in Opposition to Magnum’s Motion to Dismiss,” *Yeti Coolers, LLC v. Magnum Solace LLC*, Case: 1:16-cv-00663-RP, Document #16, filed Sep. 27, 2016, 7 pages.

United States District Court Western District of Texas Austin Division, “Defendant’s Opposed Motion for a Protective Order and Stay of Discovery,” *Yeti Coolers, LLC v. Magnum Solace LLC*, Case: 1:16-cv-00663-RP, Document #17, filed Oct. 3, 2016, 47 pages.

United States District Court Western District of Texas Austin Division, “Yeti’s Opposition to Magnum’s Motion for a Protective Order and Stay of Discovery,” *Yeti Coolers, LLC v. Magnum Solace LLC*, Case: 1:16-cv-00663-RP, Document #20, filed Oct. 11, 2016, 16 pages.

United States District Court Western District of Texas Austin Division, “Defendant’s Reply in Support of its Motion for a Protective Order and Stay of Discovery,” *Yeti Coolers, LLC v. Magnum Solace LLC*, Case: 1:16-cv-00663-RP, Document #22, filed Oct. 18, 2016, 5 pages.

JPO Prior art Reference No. HJ20071600.

English translation of Office Action issued on Oct. 18, 2016 for JP Application No. 2016-004372, 3 pages.

English translation of Office Action issued on Oct. 18, 2016 for JP Application No. 2016-004373, 3 pages.

United States District Court Western District of Texas Austin Division, “Complaint,” *Yeti Coolers, LLC v. Imagen Brands, LLC, d/b/a Crown Products, and Ebsco Industries, Inc.*, Case 1:16-cv-00578-RP, Document #1, filed May 16, 2016, 20 pages.

United States District Court Western District of Texas Austin Division, “Defendants’ Motion to Dismiss Pursuant to Rule 12(b)(6),” *Yeti Coolers, LLC v. Imagen Brands, LLC, d/b/a Crown Products, and Ebsco Industries, Inc.*, Case 1:16-cv-00578-RP, Document #8, filed Oct. 4, 2016, 27 pages.

United States District Court Western District of Texas Austin Division, “Yeti Coolers LLC’s Answer to RTIC Drinkware, LLC’s, RTIC Web Services, LLC’s, Corporate Support & Fulfillment, LLC’s, John Jacobsen’s, and James Jacobsen’s Counterclaims,” *Yeti Coolers, LLC v. RTIC Coolers, LLC, RTIC Drinkware, LLC, RTIC*

(56)

References Cited

OTHER PUBLICATIONS

Web Services, LLC, Corporate Support & Fulfillment, LLC, John Jacobsen, and James Jacobsen, Case: 1:16-cv-00264-RP, Document #31, filed Jul. 7, 2016, 7 pages.

United States District Court Western District of Texas Austin Division, “Defendants’ Answer to Plaintiff’s Complaint and Affirmative Defenses,” *Yeti Coolers, LLC v. MyCrew, LLC, MyCrew Drinkware, LLC and NNRiverLife, LLC*, Case 1:16-cv-01008-RP, Document #14, filed Nov. 29, 2016, 12 pages.

United States District Court Western District of Texas Austin Division, “Answer,” *Yeti Coolers, LLC v. Tree Leaf Marketing, LLC, d/b/a Big Frig*, Case: 1:16-cv-00699, Document #11, filed Oct. 21, 2016, 8 pages.

“Yeti Press Release—Rambler Lowball”, published on Jul. 15, 2015, retrieved from <<http://yeti.com/press-releases/yeti-coolers-unveils-new-rambler-lowball>> on Mar. 14, 2017.

“Bekith Kids Water Mugs Stainless Steel Drinking Cups Double Wall Food Grade Durable Safe—Set of 2”, published date unknown but at least as early as Mar. 14, 2017, retrieved from <https://www.amazon.com/Bekith-Stainless-Drinking-Double-Durable/dp/B019JNKG7A/ref=pd_sim_79_5?_encoding=UTF8&psc=1&refRID=ZP054HJK7VYT6T39DSYN> on Mar. 14, 2017.

“Camp Cup”, published date unknown but at least as early as Mar. 13, 2017, retrieved from <<https://www.miir.com/collections/camp/products/campcup>> on Mar. 13, 2017.

“Chinook Timberline Double-wall 12.5 Ounces Mug”, published date unknown but at least as early as Mar. 14, 2017, retrieved from <https://www.amazon.com/Chinook-Timberline-Double-wall-12-5-Ounces/dp/B00261C08U/ref=pd_sim_79_3?_encoding=UTF8&psc=1&refRID=C586FMMXYCY44F2AZCJB> on Mar. 14, 2017.

“Double Wall Copper Coffee Mug”, published date unknown but at least as early as Mar. 14, 2017, retrieved from <http://www.williamssonoma.com/products/1614242/?catalogId=27&sku=1614242&cm_ven=Google_PLA&cm_cat=Shopping&cm_pla=default&cm_ite=default&kwid=productads-adid%5E45527543503-device%5Ecpaid%5E83089551703-sku%5E1614242-adType%5EPLA&gclid=CIGFx4v9g9ECFYeEsw> on Mar. 14, 2017.

“Double Wall Stainless Steel Beer Mug”, published date unknown but at least as early as Mar. 14, 2017, retrieved from <<https://www.vat19.com/item/stainless-steel-beer-mug>> on Mar. 14, 2017.

“Woodcraft 15oz Shop Mug Insulated Stainless Steel”, published date unknown but at least as early as Mar. 14, 2017, retrieved from <https://www.amazon.com/Woodcraft-15oz-Insulated-Stainless-Steel/dp/B004TQGH0S/ref=pd_sim_79_3?_encoding=UTF8&psc=1&refRID=EYMWNJTCKACXEY8YGJMJ> on Mar. 14, 2017.

“Yeti Press Release—Rambler Colster”, published on Jan. 8, 2015, retrieved from <<http://yeti.com/press-releases/rambler-colster>> on Mar. 27, 2017.

Alexander, Emmet, “Removable Bicycle Cup Holder by Bookman”, posted Mar. 23, 2014 online, retrieved Jun. 6, 2016 from Internet, URL: <http://coolmensgear.com/removable-bicycle-cup-holder/>.

“Meyers California Rainbow Mug With Removable Wood Metal Handle”, retrieved from Internet on Jun. 6, 2016; URL: <https://www.pinterest.com/pin/148618856430252325/>.

“Tervis Tumbler Black 24 OZ. Handle”, retrieved from Internet Jun. 6, 2016; URL: <http://www.amazon.com/Tervis-Tumbler-Black-24oz-Handle/dp/B004VVHORG>.

Purdom, Sandra, “Mug or Tumbler Metal Handles Spare Parts”, retrieved from Internet Jun. 6, 2016; URL: https://www.etsy.com/...r-tumbler-metalhandles-spare-parts?ga_order=most_relevant&ga_search_type=all&ga_view_type=gallery&ga_search_query=metal%20handled%20mugs&ref=sr_gallery_8.

“Red Removable Handle 16-OZ. Travel Tumbler”, retrieved from Internet Jun. 6, 2016, URL: <http://www.zulily.com/p/red-removable-handle-16-oz-travel-tumbler-120715-7353259.html>.

“Red Removable Handle 16-OZ. Travel Tumbler.” Accessed Aug. 31, 2016. Available online at URL: <<http://www.zulily.com/p/red-removable-handle-16-oz-travel-tumbler-120715-7353259.html>>.

“Removable Bicycle Cup Holder by Bookman.” Published Mar. 23, 2014. Accessed Aug. 31, 2016. Available online at URL: <<http://coolmensgear.com/removable-bicycle-cup-holder/>>.

“Meyers California Rainbow Mug with Removable Wood/Metal Handle.” Accessed Aug. 31, 2016. Available online at URL: <<https://www.pinterest.com/pin/148618856430252325/>>.

“Tervis Tumbler Black 24oz. Handle.” Amazon.com. Accessed Aug. 31, 2016. Available online at URL: <<https://www.amazon.com/Tervis-Tumbler-Black-24oz-Handle/dp/B004VVHORG>>.

“Spare Parts for Those Mugs or Tumblers with No Handles.” Accessed Aug. 31, 2016. Available online at URL: <https://www.etsy.com/listing/255089724/parts-parts-parts-mug-or-tumbler-metal?ga_order=most_relevant&ga_search_type=all&ga_view_type=gallery&ga_search_query=metal+handled+mugs&ref=sr_gallery_8>.

Pictures of Great American Products Tumbler, published date unknown, but prior to the filing date of the present application.

Photographic image of Yeti 30oz Rambler Tumbler, published date unknown, but prior to the filing date of the present application.

Second photographic image of Yeti 30oz Rambler Tumbler, published date unknown, but prior to the filing of the present application. Promotional Items, Inc., “Stainless Steel 14oz. Deluxe Coffee Insulated Tumbler Lid”, retrieved from <http://www.promotional-items-inc.com/catalog/stainless_steel_18oz_commuter_coffee_mug_lid.html> on Aug. 27, 2015.

The Product Farm, “BeerNStein Rocks Tumbler Lid—Blue”, retrieved from <<http://store.theproductfarm.com/beerstein-rocks-tumbler-lid-blue/>> on Aug. 27, 2015.

Hit Promotional Products, “24 Oz. Biggie Tumbler with Lid”, retrieved from <<http://www.hitpromo.net/product/show/5853/24-oz-biggie-tumbler-with-lid>> on Aug. 27, 2015.

The Alexon Group, “16 Oz. Stainless Steel Travel Mug with Slide Action Lid and Plastic Inner Liner”, retrieved from <<https://alexongroup.com/16-oz-stainless-steel-travel-mug-with-slide-action-lid-and-plastic-inner-liner>> on Aug. 27, 2015.

“New 16oz Insulated Coffee Travel Mug Stainless Steel Double Wall Thermos Tumbler”, retrieved from <<http://www.ebay.com/itm/New-16oz-Insulated-COFFEE-TRAVEL-MUG-Stainless-Steel-Double-Wall-Thermos-Tumbler-/171416296921>> on Aug. 27, 2015. “Stainless Steel Travel Mug with Slide Action Lid and Plastic Inner Liner—16oz.”, retrieved from <<http://waterbottles.com/stainless-steel-travel-mug-with-slide-action-lid-and-plastic-inner-liner-16-oz>> on Aug. 27, 2015.

Vat19, “16 oz. Dual Auto/USB Heated Mug”, retrieved from <<https://www.vat19.com/item/16-oz-dual-auto-usb-heater-coffee-mug>> on Aug. 27, 2015.

Timolino, “Signature Thermal Travel Mug Slide—Tab Lid”, retrieved from <<http://timolino.com/products/signature-thermal-travel-mug-slide-tab-lid>> on Aug. 27, 2015.

Eshine Industrial & Maoyuan International, “400ml Double Wall Stainless Steel Travel Mug with Sliding Drink Lid”, retrieved from <<http://www.chinawaterbottle.com/product/400ml-double-wall-stainless-steel-travel-mug-with-sliding-drink-lid-77-520.html>> on Aug. 27, 2015.

Photo USA Electronic Graphic Inc., “17fl oz Personalised Travel Mug (Plastic Insert and Metal Shell, Reverse Screw)”, retrieved from <<http://www.meikeda.com/stainless-steel-mug/item/15-oz-personalised-travel-mug.html>> on Aug. 27, 2015.

Promo Industrial Co., Limited, “16 Oz. Blue Bullet Travel Mug W/ Handle”, retrieved from <http://www.oempromo.com/Bottle-cup-and-mug/Mugs/index_73.htm> on Aug. 27, 2015.

Gold Bond Inc., “16CT—16 oz Cafe Tumbler”, retrieved from <<http://www.goldbondinc.com/16ct>> on Aug. 27, 2015.

“Yeti Rambler 20 and 30 oz”, published on Apr. 19, 2014, retrieved from <https://web.archive.org/web/20140419041951/http://yeticoolers.com/rambler-tumblers/> on Sep. 2, 2015.

Photographic image of Yeti 20oz Rambler Tumbler, published date unknown, but prior to the filing date of the present application.

United States District Court Western District of Texas Austin Division, “Plaintiff Yeti Coolers, LLC’s Original Complaint,” *Yeti Coolers, LLC v. Ontel Products Corporation and World Pack USA, LLC*, Case: 1:17-cv-00091-RP, Document #1, filed Feb. 8, 2017, 65 pages.

(56)

References Cited

OTHER PUBLICATIONS

United States District Court Western District of Texas Austin Division, "Defendants' Answers and Defenses to Plaintiff's Original Complaint," *Yeti Coolers, LLC v. Ontel Products Corporation and World Pack USA, LLC*, Case: 1:17-cv-00091-RP, Document #14, filed Feb. 21, 2017, 45 pages.

United States District Court Western District of Texas Austin Division, "Complaint for Damages and Injunctive Relief," *Yeti Coolers, LLC v. Tree Leaf Marketing, LLC, d/b/a Big Frig*, Case: 1:16-cv-00699-RP, Document #26, filed Apr. 7, 2017, 39 pages.

'Snow Peak H860, posted by copperbrier at YouTube.com [online], posted on Nov. 13, 2013. Available on the Internet, <URL: <https://youtu.be/rotGINYY6ms>>.

Snow Peak 450ml, posted by keegansreviews at YouTube.com [online], posted on Jun. 5, 2015. Available on the Internet, <URL: <https://youtu.be/S9dSBijmxsM>>.

"Snow Peak Detail Specs", published earlier than Jan. 6, 2014, retrieved from <<http://global.rakuten.com/en/store/mitsuyoshi/item/tw-137-snowpeak/>> on May 22, 2017.

United States District Court Western District of Texas Austin Division, "Plaintiffs' Complaint for Damages and Injunctive Relief," *Yeti Coolers, LLC v. Seth Stevens d/b/a SDS Marketing d/b/a Eskimo Coolers, Panther Group LLC d/b/a Eskimo Coolers, Panther Group Sales, LLC d/b/a Eskimo Coolers, and Silver Fox Sales, LLC*, Case 1:17-cv-00423, Document 1, filed May 5, 2017, 77 pages.

United States District Court Western District of Texas Austin Division, "Complaint," *Yeti Coolers, LLC v. Wadley Holdings, LLC d/b/a Meadowcraft, and Southern Sales & Marketing Group, Inc. d/b/a nICE*, Case 1:17-cv-00421, Document 1, filed May 5, 2017, 121 pages.

United States District Court Western District of Texas Austin Division, "Complaint," *Yeti Coolers, LLC v. JDS Industries, Inc., Lionel Laundry Jr., d/b/a Accolades Awards & Engraving, Creating and Fast LLC d/b/a Promotional Products San Antonio, Kelly Scoggins d/b/a King Engraving, Jamey Z. Apps d/b/a Roberts Trophies, and Eagle Media, Inc.*, Case 1:17-cv-00424, Document 1, filed May 5, 2017, 62 pages.

United States District Court Western District of Texas Austin Division, "Complaint," *Yeti Coolers, LLC v. Glacier Coolers, LLC, and Tecomate Holdings, LLC*, Case 1:17-cv-00586, Document 1, filed Jun. 15, 2017, 161 pages.

United States District Court Western District of Texas Austin Division, "Complaint," *Yeti Coolers, LLC v. Gametime Sidekicks, LLC*, Case 1:17-cv-00413, Document 1, filed May 5, 2017, 107 pages.

United States District Court Western District of Texas Austin Division, "Complaint," *Yeti Coolers, LLC v. Kodiak Coolers, LLC and Flexible Automation LLC*, Case 1:17-cv-00422, Document 1, filed May 5, 2017, 51 pages.

United States District Court Western District of Texas Austin Division, "Complaint," *Yeti Coolers, LLC v. Gourmet Home Products, LLC*, Case: 1:17-cv-00533, Document #1, filed Jun. 2, 2017, 25 pages.

United States District Court Western District of Texas Austin Division, "Complaint," *Yeti Coolers, LLC v. Godinger Silver Art, Ltd., Cathy's Concepts, Inc., Viatek Consumer Products Group, Inc.*, Case: 1:17-cv-00467, Document #1, filed May 16, 2017, 22 pages.

United States District Court Western District of Texas Austin Division, "Complaint," *Yeti Coolers, LLC v. Vickery Products, LLC d/b/a Axis Cups, f/d/b/a Frio Cups*, Case: 1:17-cv-00260, Document #1, filed Mar. 24, 2017, 52 pages.

United States District Court Western District of Texas Austin Division, "Complaint," *Yeti Coolers, LLC v. Jennifer Leverne Bootz Evans d/b/a Bling and Burlap Buy In's and Blanks*, Case: 1:15-cv-00995, Document #1, filed Nov. 2, 2015, 128 pages.

United States District Court Western District of Texas Austin Division, "Order," *Yeti Coolers, LLC v. Jennifer Leverne Bootz*

Evans d/b/a Bling and Burlap Buy In's and Blanks, Case: 1:15-cv-00995-RP, Document #18, filed Apr. 18, 2016, 1 page.

United States District Court Western District of Texas Austin Division, "Complaint," *Yeti Coolers, LLC v. Magnum Solace LLC*, Case: 1:16-cv-00663-RP, Document #1, filed Jun. 7, 2016, 24 pages.

United States District Court Western District of Texas Austin Division, "Defendant's Rule 12(B)(6) Motion to Dismiss for Failure to State a Claim," *Yeti Coolers, LLC v. Magnum Solace LLC*, Case: 1:16-cv-00663-RP, Document #10, filed Aug. 5, 2016, 30 pages.

United States District Court Western District of Texas Austin Division, "Defendant's Answer," *Yeti Coolers, LLC v. Magnum Solace LLC*, Case: 1:16-cv-00663-RP, Document #34, filed Apr. 13, 2017, 7 pages.

United States District Court Western District of Texas Austin Division, "Defendant's Answer to Plaintiff's Complaint and Affirmative Defenses," *Yeti Coolers, LLC v. MyCrew, LLC, MyCrew Drinkware, LLC and NNRiverLife, LLC*, Case: 1:16-cv-01008-RP, Document #14, filed Nov. 29, 2016, 12 pages.

United States District Court Western District of Texas Austin Division, "Complaint," *Yeti Coolers, LLC v. MyCrew, LLC, MyCrew Drinkware, LLC and NNRiverLife, LLC*, Case: 1:16-cv-01008, Document #1, filed Aug. 26, 2016, 29 pages.

United States District Court Western District of Texas Austin Division, "RTIC Drinkware's First Amended Complaint for Declaratory Judgment," *RTIC Drinkware, LLC v. Yeti Coolers, LLC*, Case: 1:16-cv-00907-RP, Document #52, filed Nov. 14, 2016, 124 pages.

United States District Court Western District of Texas Austin Division, "Yeti Coolers, LLC's Answer to RTIC Drinkware's First Amended Complaint," *RTIC Drinkware, LLC v. Yeti Coolers, LLC*, Case: 1:16-cv-00907-RP, Document #58, filed Dec. 1, 2016, 15 pages.

United States District Court Western District of Texas Austin Division, "Yeti Coolers, LLC's Answer to RTIC Drinkware LLC's Complaint," *RTIC Drinkware, LLC v. Yeti Coolers, LLC*, Case: 1:16-cv-00907-RP, Document #35, filed Aug. 3, 2016, 27 pages.

United States District Court for the Southern District of Texas Houston Division, "RTIC Drinkware's Original Complaint or Declaratory Judgment, Damages, and Injunctive Relief," *RTIC Drinkware, LLC v. Yeti Coolers, LLC*, Case: 4:16-cv-01201, Document #1, filed May 2, 2016, 58 pages.

United States District Court Western District of Texas Austin Division, "Order," *RTIC Drinkware, LLC v. Yeti Coolers, LLC*, Case: 1:16-cv-00907-RP, Document #47, filed Oct. 13, 2016, 3 pages.

United States District Court Western District of Texas Austin Division, "Defendant RTIC Drinkware, LLC, RTIC Web Services, LLC, Corporate Support & Fulfillment, LLC, John Jacobsen, and James Jacobsen's Answer and counterclaims to Yeti's First Amended Complaint for Damages and Injunctive Relief," *Yeti Coolers, LLC v. RTIC coolers, LLC, RTIC Drinkware, LLC, RTIC Web Services, LLC, Corporate Support & Fulfillment, LLC; John Jacobsen; and James Jacobsen*, Case: 1:16-cv-00264-RP, Document #25, filed Jun. 13, 2016, 42 pages.

United States District Court Western District of Texas Austin Division, "Complaint," *Yeti Coolers, LLC v. RTIC Coolers, LLC*, Case: 1:16-cv-00264, Document #1, filed Mar. 2, 2016, 34 pages.

United States District Court Western District of Texas Austin Division, "Yeti Coolers, LLC's Answer to RTIC Drinkware, LLC's, RTIC Web Services, LLC's, Corporate Support & Fulfillment, LLC's, John Jacobsen's, and James Jacobsen's Counterclaims," *Yeti Coolers, LLC v. RTIC Coolers, LLC, RTIC Drinkware, LLC, RTIC Web Services, LLC, Corporate Support & Fulfillment, LLC, John Jacobsen, and James Jacobsen*, Case: 1:16-cv-00264-RP, Document #31, filed Jul. 7, 2016, 7 pages.

United States District Court Western District of Texas Austin Division, "First Amended Complaint," *Yeti Coolers, LLC v. Sic Products LLC, d/b/a Sic Cups, d/b/a Sic*, Case: 1:16-cv-00117-RP, Document #34, Nov. 21, 2016, 25 pages.

United States District Court Western District of Texas Austin Division, "Sic Products, LLC's Answer, Affirmative Defenses, and Counterclaims to Plaintiff's Amended Complaint," *Yeti Coolers, LLC v. Sic Products LLC, d/b/a Sic Cups, d/b/a Sic*, Case: 1:16-cv-00117-RP, Document #35, Dec. 5, 2016, 81 pages.

(56)

References Cited

OTHER PUBLICATIONS

United States District Court Western District of Texas Austin Division, "Sic Products, LLC's Answer, Affirmative Defenses, and Counterclaims to Plaintiff's Complaint," *Yeti Coolers, LLC v. Sic Products LLC, d/b/a Sic Cups, d/b/a Sic*, Case: 1:16-cv-00117-RP, Document #14, Jun. 3, 2016, 38 pages.

United States District Court Western District of Texas Austin Division, "Complaint," *Yeti Coolers, LLC v. Sic Products LLC, d/b/a Sic Cups, d/b/a Sic*, Case: 1:16-cv-00117-RP, Document #1, Feb. 4, 2016, 23 pages.

United States District Court Western District of Texas Austin Division, "Yeti Coolers, LLC's Answer to Sic Products, LLC Counterclaims," *Yeti Coolers, LLC v. Sic Products LLC, d/b/a Sic Cups, d/b/a Sic*, Case: 1:16-cv-00117-RP, Document #21, Sep. 29, 2016, 15 pages.

United States District Court Western District of Texas Austin Division, "Yeti Coolers, LLC's Answer to Sic Products, LLC Counterclaims to Yeti Coolers, LLC's Amended Complaint," *Yeti Coolers, LLC v. Sic Products LLC, d/b/a Sic Cups, d/b/a Sic*, Case: 1:16-cv-00117-RP, Document #38, Dec. 19, 2016, 20 pages.

United States District Court Western District of Texas Austin Division, "Answer," *Yeti Coolers, LLC v. Tree Leaf Marketing, LLC d/b/a Big Frig*, Case: 1:16-cv-00699-RP, Document #11, Oct. 21, 2016, 8 pages.

United States District Court Western District of Texas Austin Division, "Complaint," *Yeti Coolers, LLC v. Tree Leaf Marketing, LLC d/b/a Big Frig*, Case: 1:16-cv-00699, Document #1, Jun. 17, 2016, 33 pages.

United States District Court Western District of Texas Austin Division, "Complaint," *Yeti Coolers, LLC v. Vickery Products, LLC d/b/a Axis Cups, f/d/b/a Frio Cups*, Case: 1:17-cv-00260, Document #1, Mar. 24, 2017, 52 pages.

United States District Court Western District of Texas Austin Division, "First Amended Complaint," *Yeti Coolers, LLC v. Wal-Mart Stores, Inc. and Olympia Tools International, Inc.*, Case: 1:16-cv-00454-RP, Document #17, May 24, 2016, 26 pages.

United States District Court Western District of Texas Austin Division, "Complaint," *Yeti Coolers, LLC v. Wal-Mart Stores, Inc.*, Case: 1:16-cv-00454, Document #1, Apr. 8, 2016, 29 pages.

United States District Court Western District of Texas Austin Division, "Olympia Tools International, Inc.'s Answer to Yeti Coolers, LLC's First Amended Complaint," *Yeti Coolers, LLC v. Wal-Mart Stores, Inc. and Olympia Tools International, Inc.*, Case: 1:16-cv-00454-RP, Document #28, Jul. 14, 2016, 12 pages.

United States District Court Western District of Texas Austin Division, "Wal-Mart Stores, Inc.'s Answer to First Amended Complaint," *Yeti Coolers, LLC v. Wal-Mart Stores, Inc. and Olympia Tools International, Inc.*, Case: 1:16-cv-00454-RP, Document #22, Jun. 7, 2016, 13 pages.

United States District Court Western District of Texas Austin Division, "Second Amended Complaint," *Yeti Coolers, LLC v. Sam's West, Inc., and Sam's East, Inc., and CY Top, Ltd.*, Case: 1:16-cv-00829-RP, Document #51, filed Sep. 22, 2017, 49 pages.

United States District Court Western District of Texas Austin Division, "Complaint," *Yeti Coolers, LLC v. Bonanza.com, Inc.*, Case: 1:17-cv-00935, Document #1, filed Sep. 28, 2017, 142 pages.

United States District Court Western District of Texas Austin Division, "Complaint," *Yeti Coolers, LLC v. Alibaba Group Holding Limited, Alibaba (China) Technology Co., Ltd., Alibaba.com Hong Kong Limited, Alibaba.com Singapore E-Commerce Private*

Limited, Hangzhou Alibaba Advertising Co. Ltd., and Huizhou Dashu Trading Co., Ltd., Case: 1:17-cv-00936, Document #1, filed Sep. 28, 2017, 272 pages.

United States District Court Western District of Texas Austin Division, "Complaint," *Yeti Coolers, LLC v. ContextLogic, Inc. d/b/a Wish.com*, Case: 1:17-cv-00937, Document #1, filed Sep. 28, 2017, 238 pages.

United States District Court Western District of Texas Austin Division, "Complaint," *Yeti Coolers, LLC v. Dunhuang Group, SZ Flowerfairy Technology Co., Ltd., Tan Er Pa Technology Co., Ltd., Shenzhen Great Electronic Technology Co., Ltd., and Huagong Trading Co.*, Case: 1:17-cv-00938, Document #1, filed Sep. 28, 2017, 272 pages.

United States District Court Western District of Texas Austin Division, "Defendant Kelly Scoggins d/b/a King Engraving's Memorandum in Support of Rule 12(b)(6) Motion to Dismiss and Motion to Take Judicial Notice," *Yeti Coolers, LLC v. JDS Industries, Inc., Lionel Landry Jr., d/b/a Accolades d/b/a Accolades Awards & Engraving, Creative and Fast LLC d/b/a Promotional Products San Antonio, Kelly Scoggins d/b/a King Engraving*, Case: 1:17-cv-00424-RP Document #65, filed Aug. 11, 2017, 28 pages.

United States District Court Western District of Texas Austin Division, "Defendant Kelly Scoggins d/b/a King Engraving's Reply in Support of Rule 12(b)(6) Motion to Dismiss," *Yeti Coolers, LLC v. JDS Industries, Inc., Lionel Landry Jr., d/b/a Accolades d/b/a Accolades Awards & Engraving, Creative and Fast LLC d/b/a Promotional Products San Antonio, Kelly Scoggins d/b/a King Engraving*, Case: 1:17-cv-00424-RP, Document #75, filed Sep. 1, 2017, 26 pages.

United States District Court Western District of Texas Austin Division, "Complaint," *Yeti Coolers, LLC v. Wal-Mart Stores, Inc.*, Case: 1:17-cv-01145, Document #1, filed Dec. 8, 2017, 98 pages.

United States International Trade Commission, "Respondents Alibaba, Dunhuang Group, and Bonanza.com's Notice of Prior Art," In the Matter of: Certain Insulated Beverage Containers, Components, Labels, and Packaging Materials Thereof, Inv. No. 337-TA-1084, filed Feb. 9, 2018, 8 pages.

United States International Trade Commission, "Respondent ContextLogic, Inc.'s Notice of Prior Art," In the Matter of: Certain Insulated Beverage Containers, Components, Labels, and Packaging Materials Thereof, Inv. No. 337-TA-1084, filed Feb. 9, 2018, 15 pages.

United States International Trade Commission, "The Commission Investigative Staff's Notice of Prior Art" In the Matter of: Certain Insulated Beverage Containers, Components, Labels, and Packaging Materials Thereof, Inv. No. 337-TA-1084, filed Feb. 9, 2018, 4 pages.

Yeti Rambler Colster Beverage Holder [online], [retrieved Feb. 1, 2018] Retrieved from the Internet, URL: <<https://kevinscatalog.com/yeti-colster-beverage-holder-44/1064>>, 4 color pages, published date unknown, but for purposes of patent prosecution prior to the filed of the present application.

Firm Grip: The 15 Coolest Beer Koozies [online], [retrieved Mar. 16, 2018], Retrieved from the Internet, URL: <<<http://niconsumption.com/2014/01/firm-grip-the-15-coolest-beer-kooziest>>>, 10 color pages, published date unknown, but for purposes of patent prosecution prior to the filed of the present application.

Thermos Stainless Steel Can Insulator [online], [retrieved Mar. 19, 2018], Retrieved from the Internet, URL: <<<https://www.youtube.com/watch?v=p8pV3BhA0iU>>>, 1 color page, published on Oct. 8, 2008.

* cited by examiner

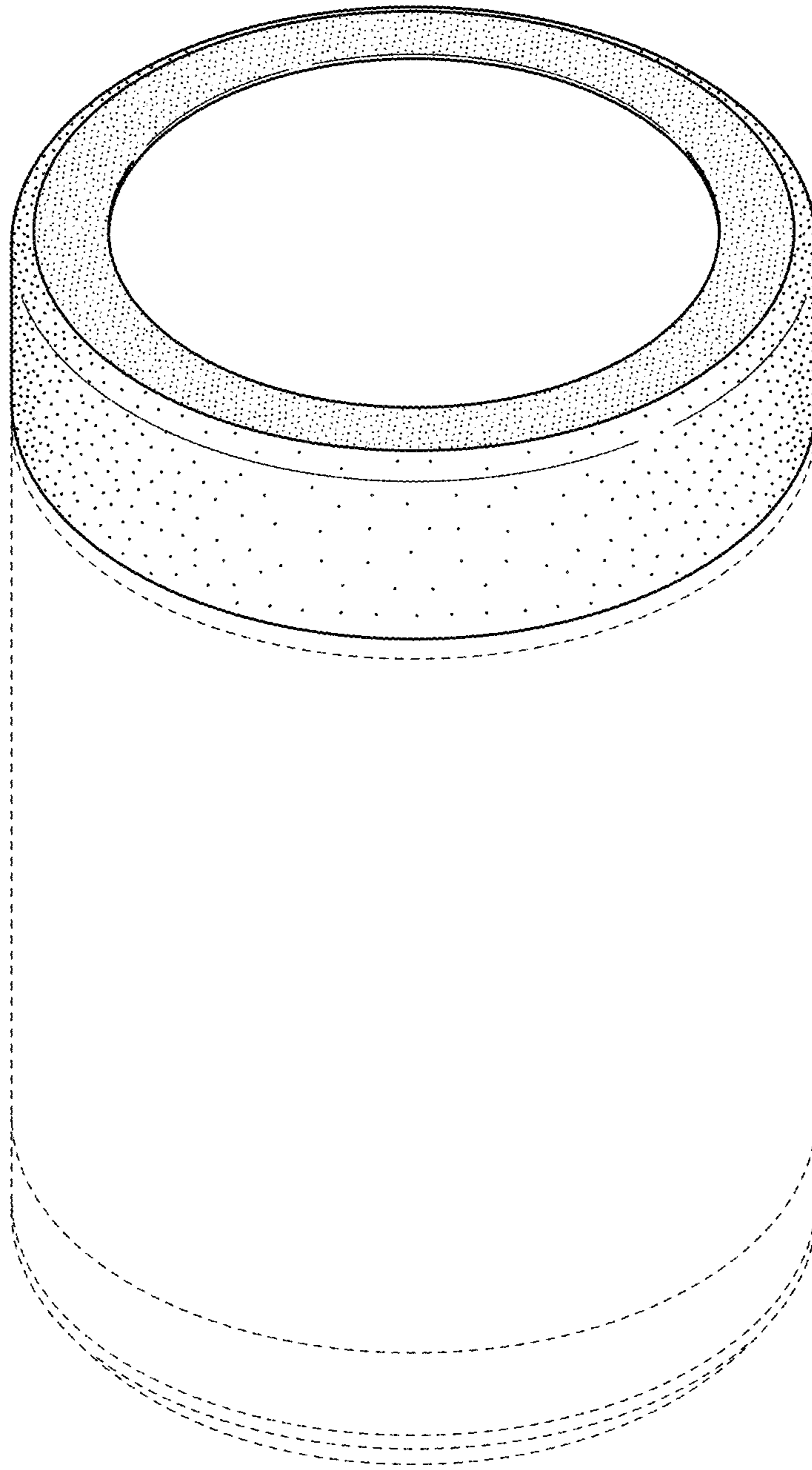


FIG. 1

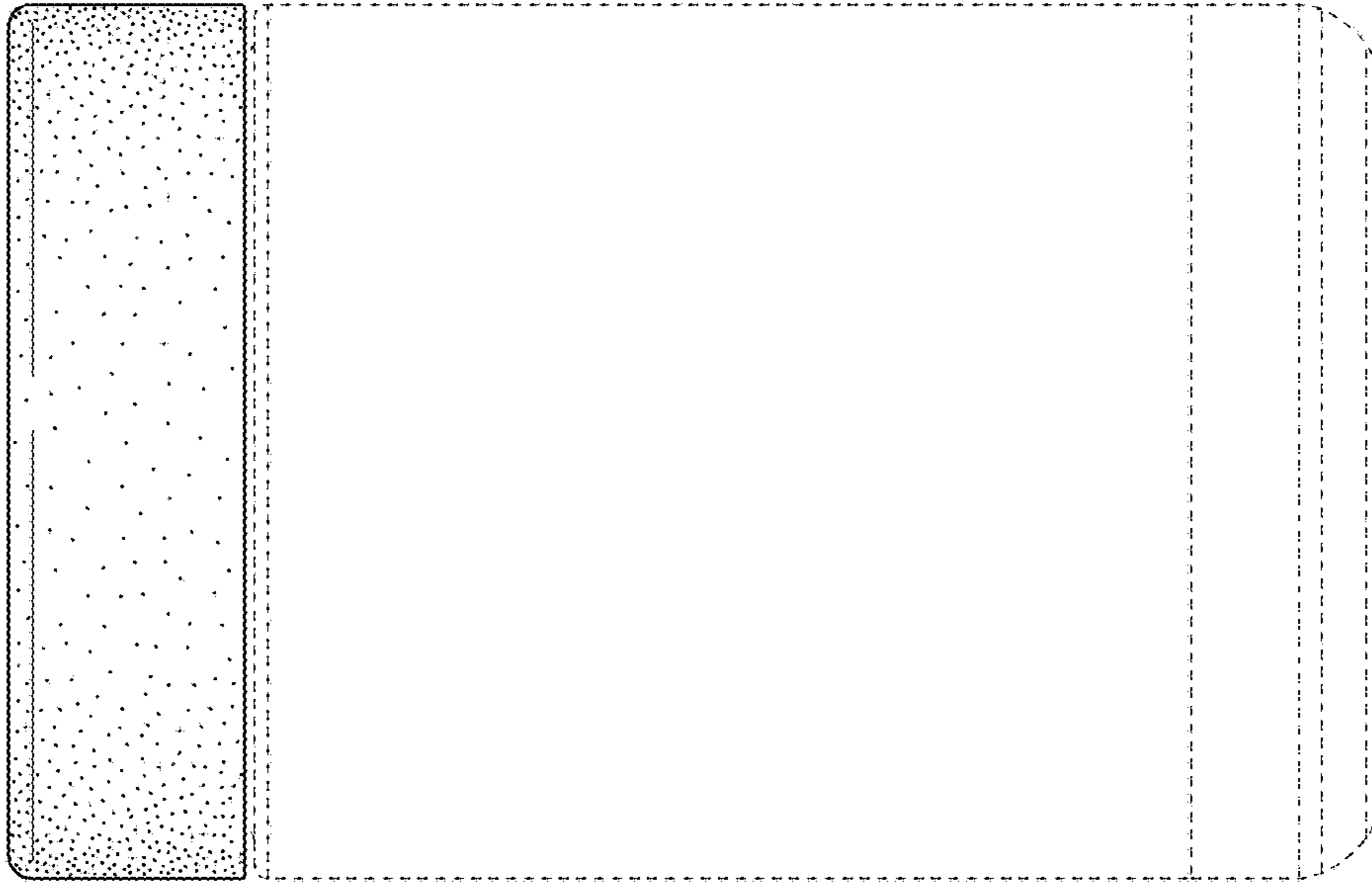


FIG. 2

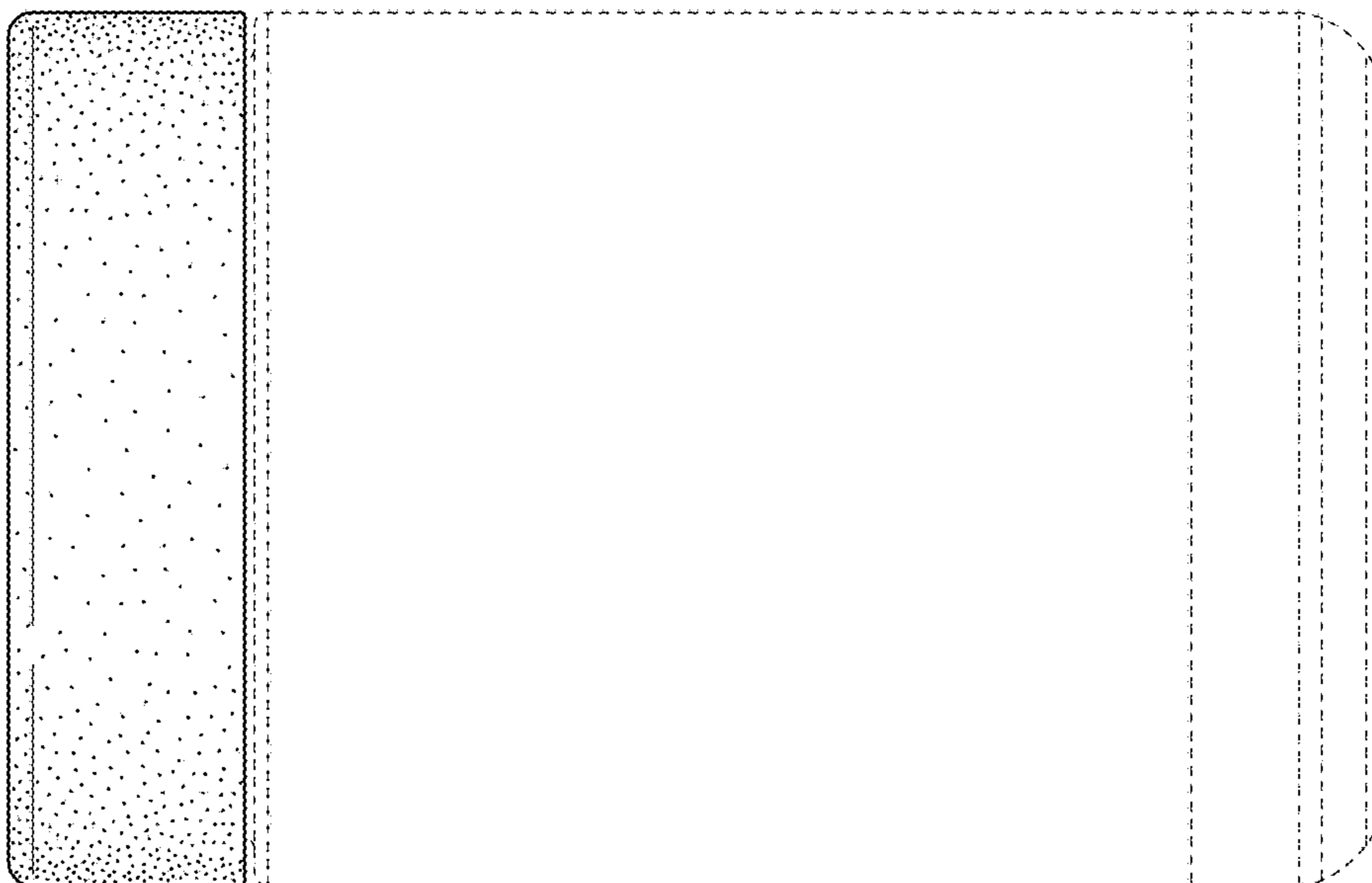


FIG. 3

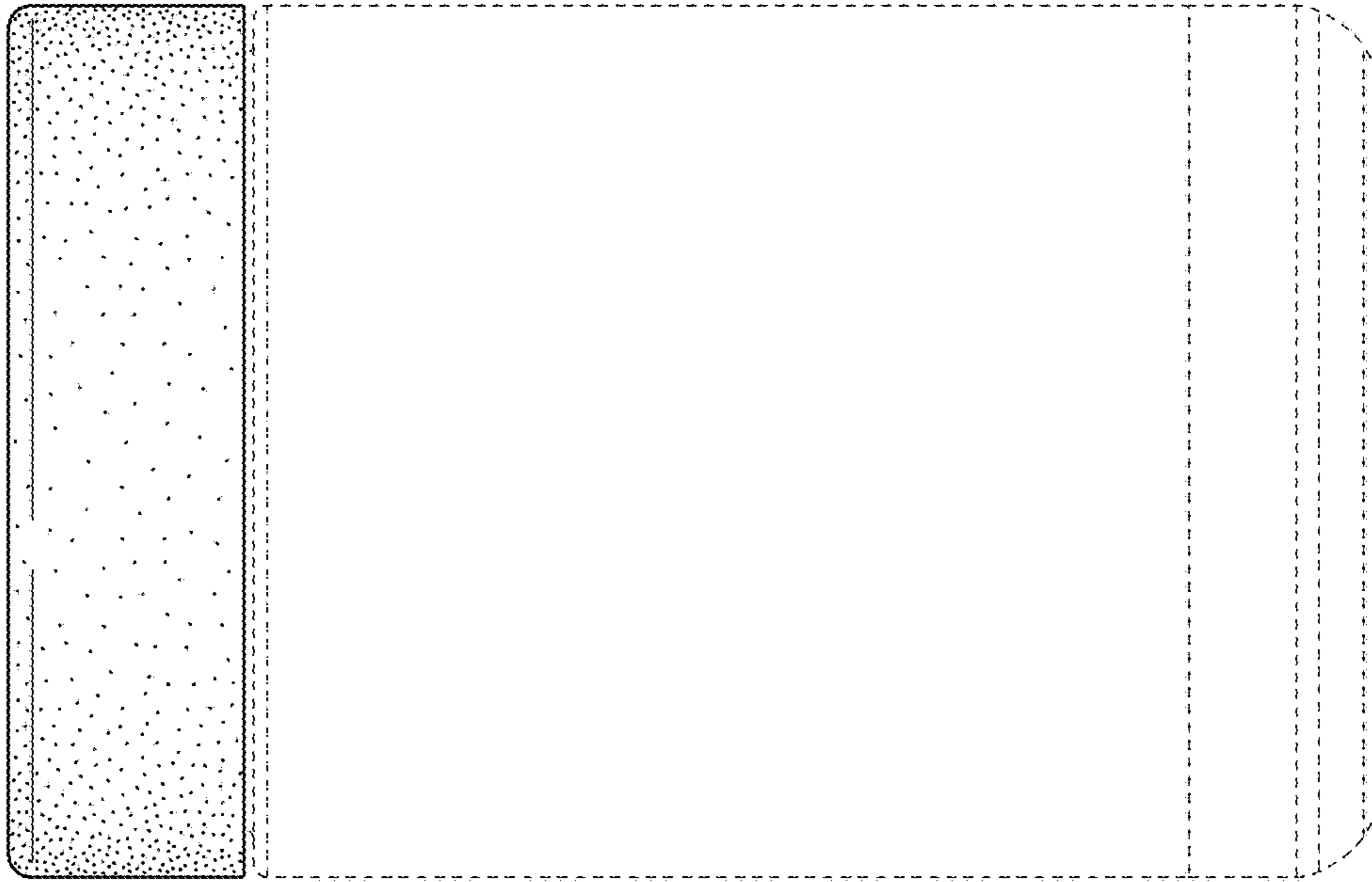


FIG. 5

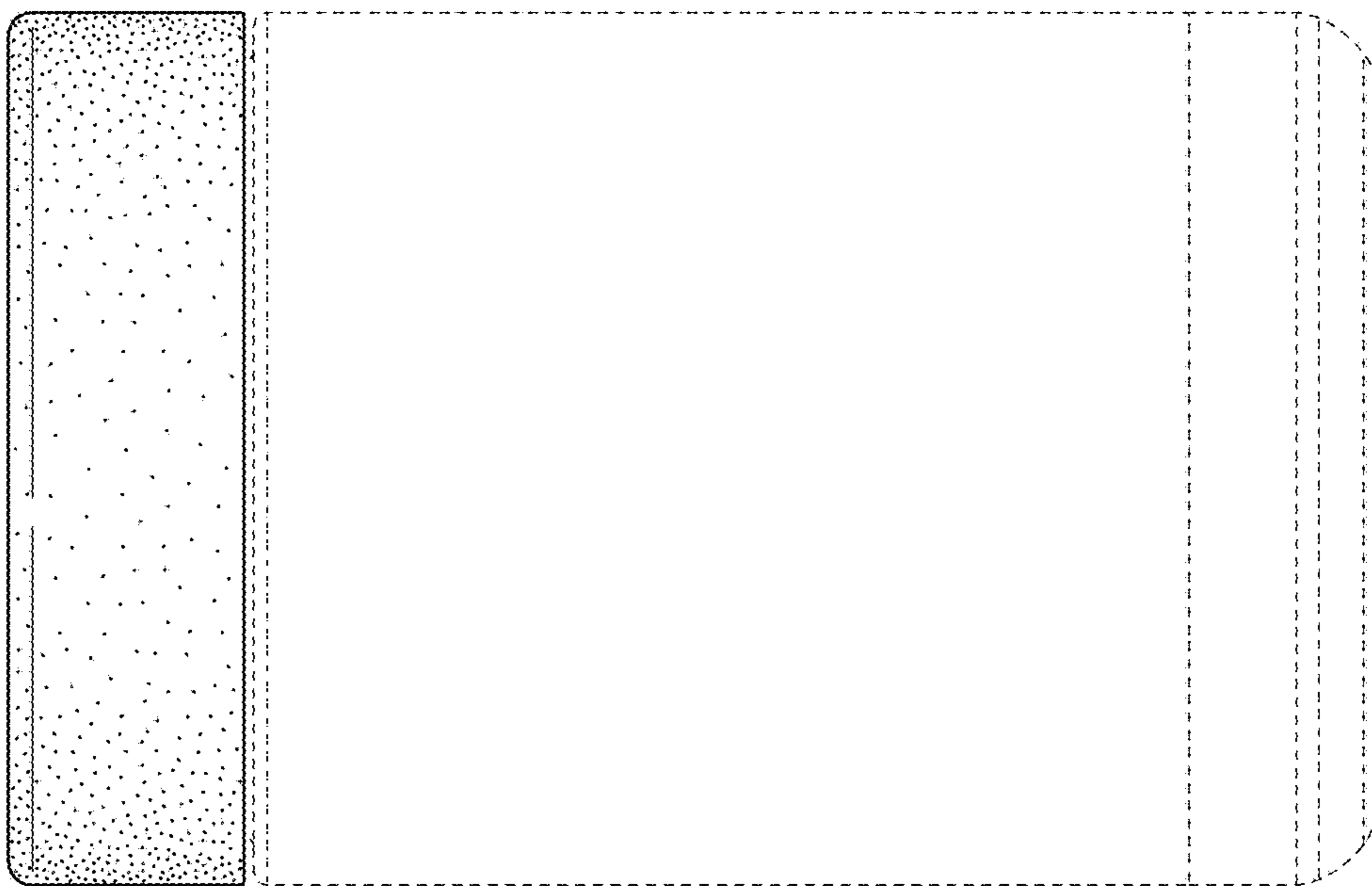


FIG. 4

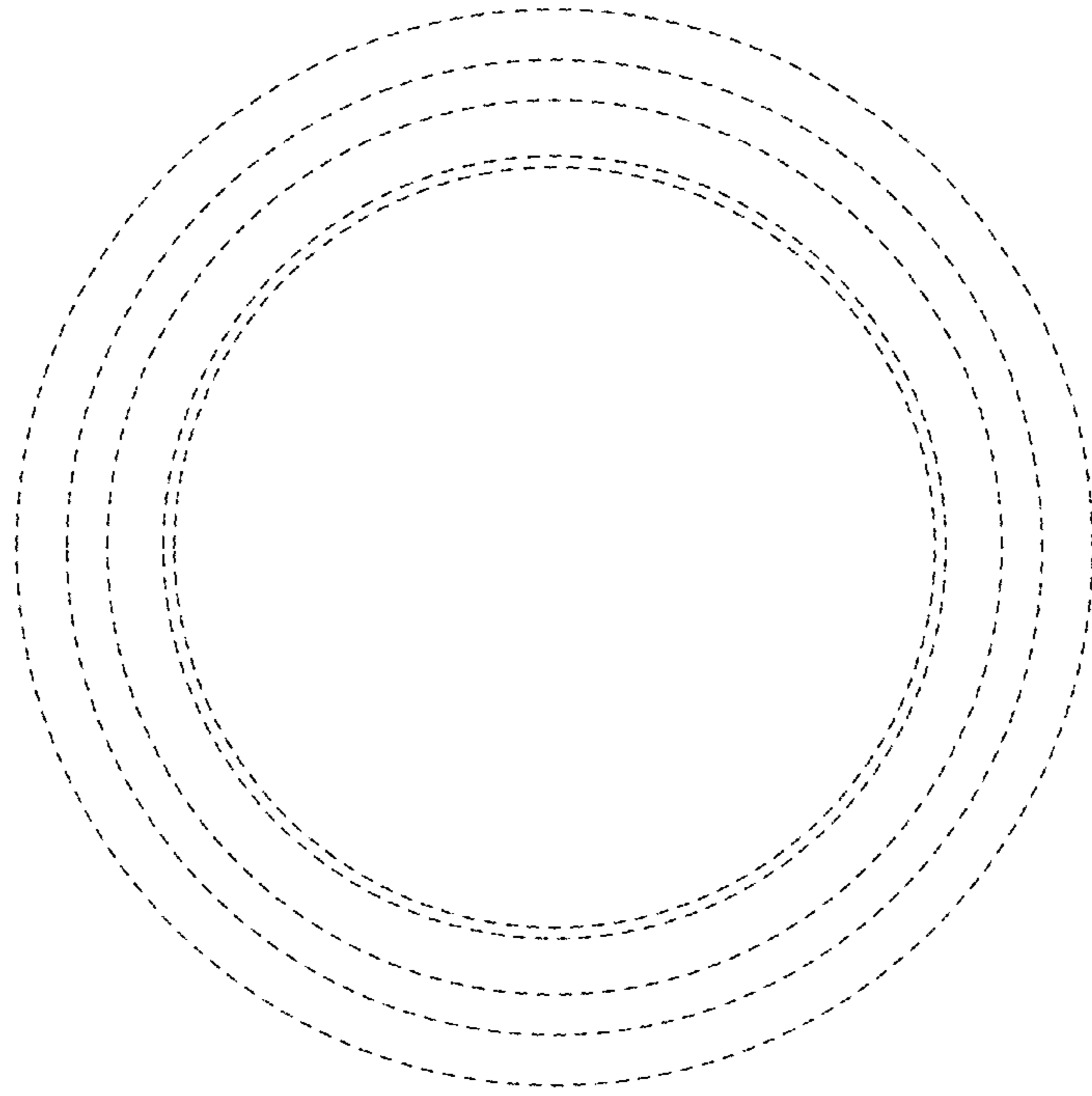


FIG. 7

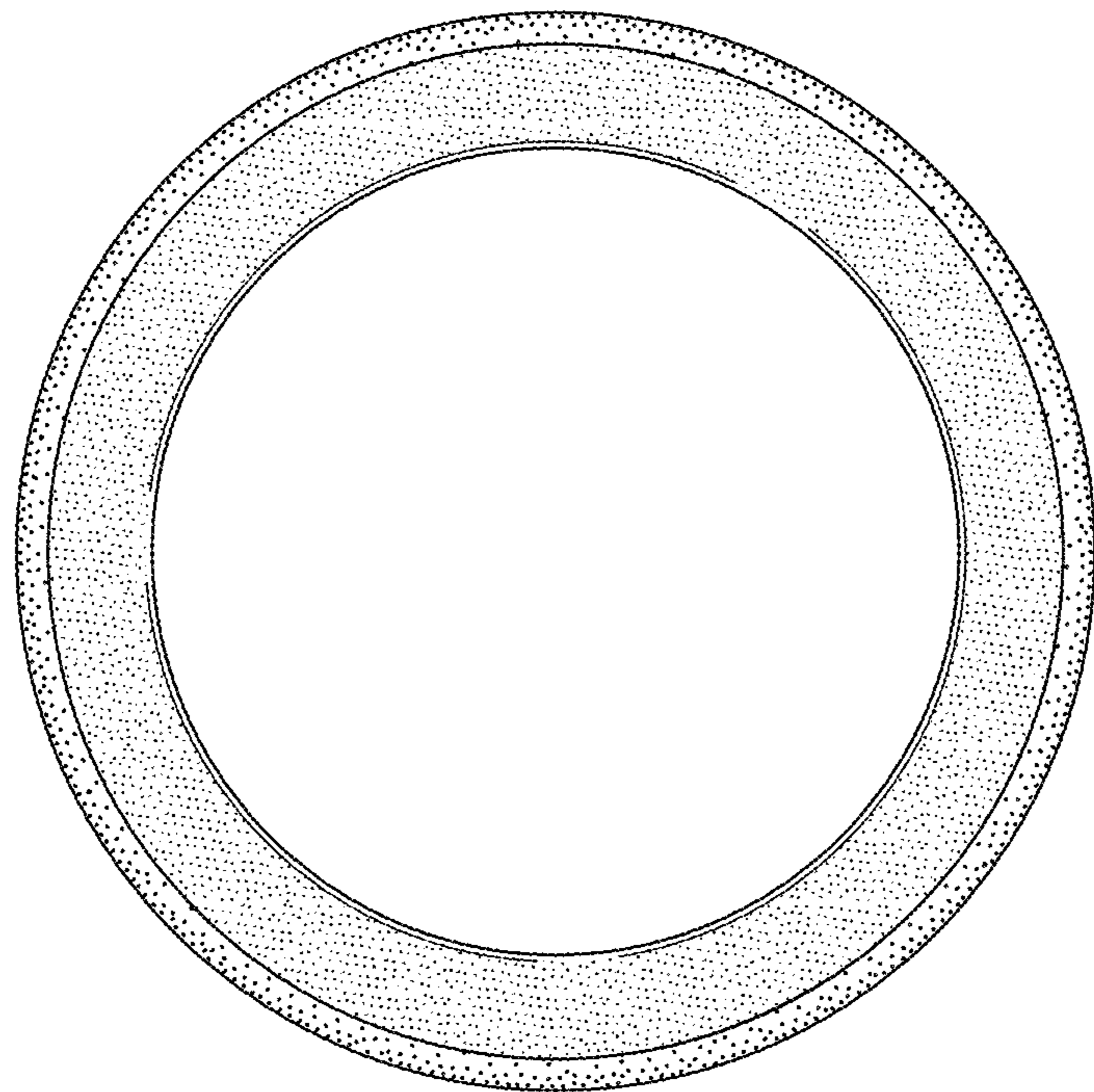


FIG. 6