



US00D829056S

(12) **United States Design Patent**
Wall

(10) **Patent No.:** **US D829,056 S**

(45) **Date of Patent:** **** Sep. 25, 2018**

(54) **CAN COOLER**

(71) Applicant: **Marty Guy Wall**, Greenbrier, TN (US)

(72) Inventor: **Marty Guy Wall**, Greenbrier, TN (US)

(**) Term: **15 Years**

(21) Appl. No.: **29/588,010**

(22) Filed: **Dec. 16, 2016**

(51) **LOC (11) Cl.** **07-01**

(52) **U.S. Cl.**
USPC **D7/608**

(58) **Field of Classification Search**

USPC D7/603-608, 619.1-625, 509-511, 523
CPC B65D 81/3886; B65D 81/3865; B65D
81/3876; B65D 81/3879; B65D 81/3881;
B65D 81/3874; B65D 23/08; B65D
33/1616; B31D 5/0086; A47G 23/0306;
A47G 23/0216; F17C 13/01; A61J 9/08;
F25D 3/08; F25D 31/007; F25D
2331/804

See application file for complete search history.

(56) **References Cited**

U.S. PATENT DOCUMENTS

D282,234 S * 1/1986 Henderson D7/608
4,681,239 A * 7/1987 Manns B65D 81/3879
215/12.1

5,467,891 A * 11/1995 Perry B65D 81/3886

220/62.11

5,969,592 A * 10/1999 Reed A47G 23/0216

206/459.1

5,990,790 A * 11/1999 Lusareta A47G 23/0306

206/459.1

D442,833 S * 5/2001 Shuman D7/608

2013/0075412 A1 * 3/2013 Schminke B65D 81/3876

220/739

* cited by examiner

Primary Examiner — Terry A Wallace

(74) *Attorney, Agent, or Firm* — Dunlap, Bennett &
Ludwig PLLC; Brendan Squire

(57) **CLAIM**

The ornamental design for a can cooler, as shown and
described.

DESCRIPTION

FIG. 1 is a front perspective view of a can cooler showing
the new design;

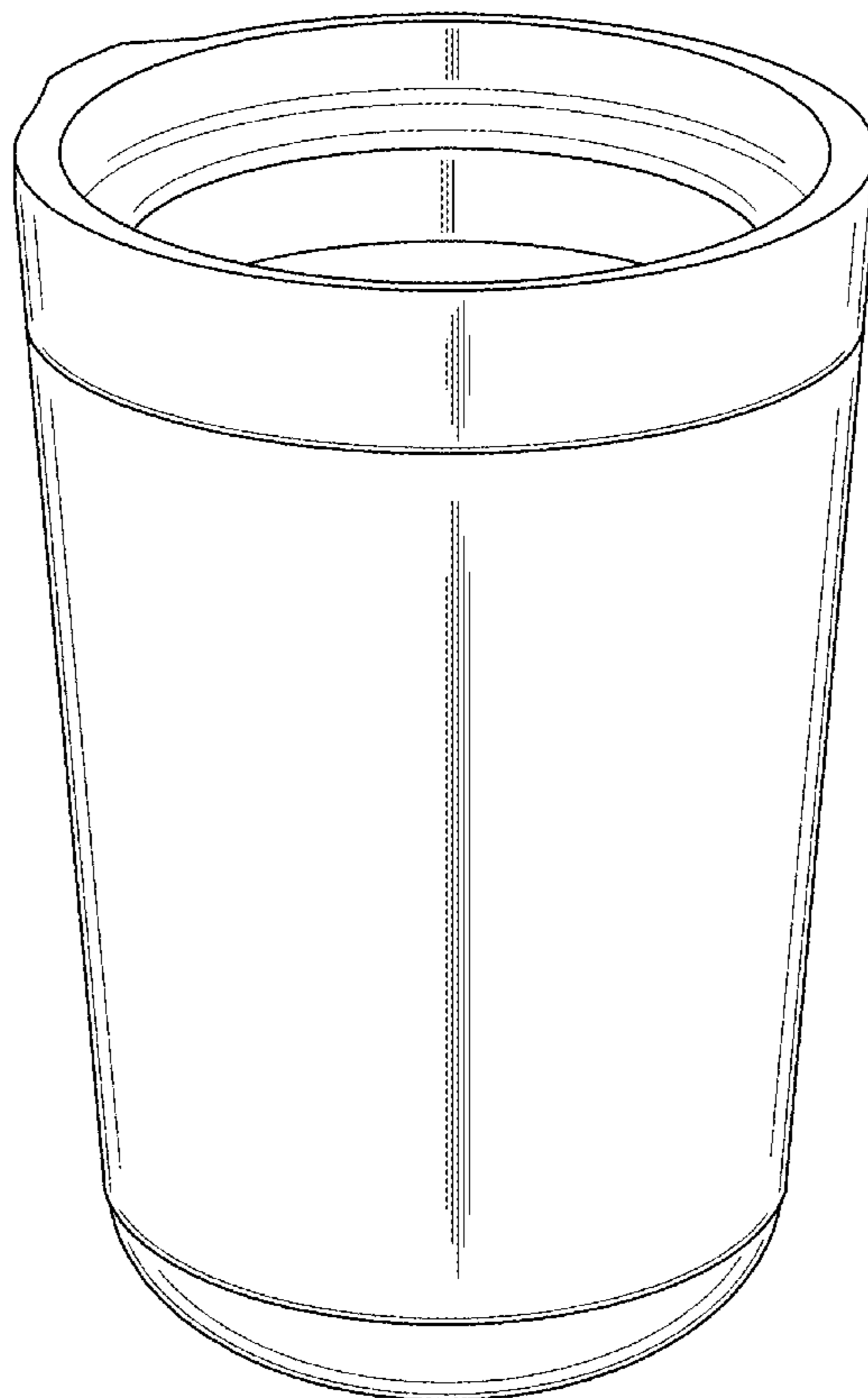
FIG. 2 is a front elevation view thereof;

FIG. 3 is a top plan view thereof;

FIG. 4 is a bottom plan view thereof; and,

FIG. 5 is a side sectional view thereof, taken along line 5-5
of FIG. 4.

1 Claim, 5 Drawing Sheets



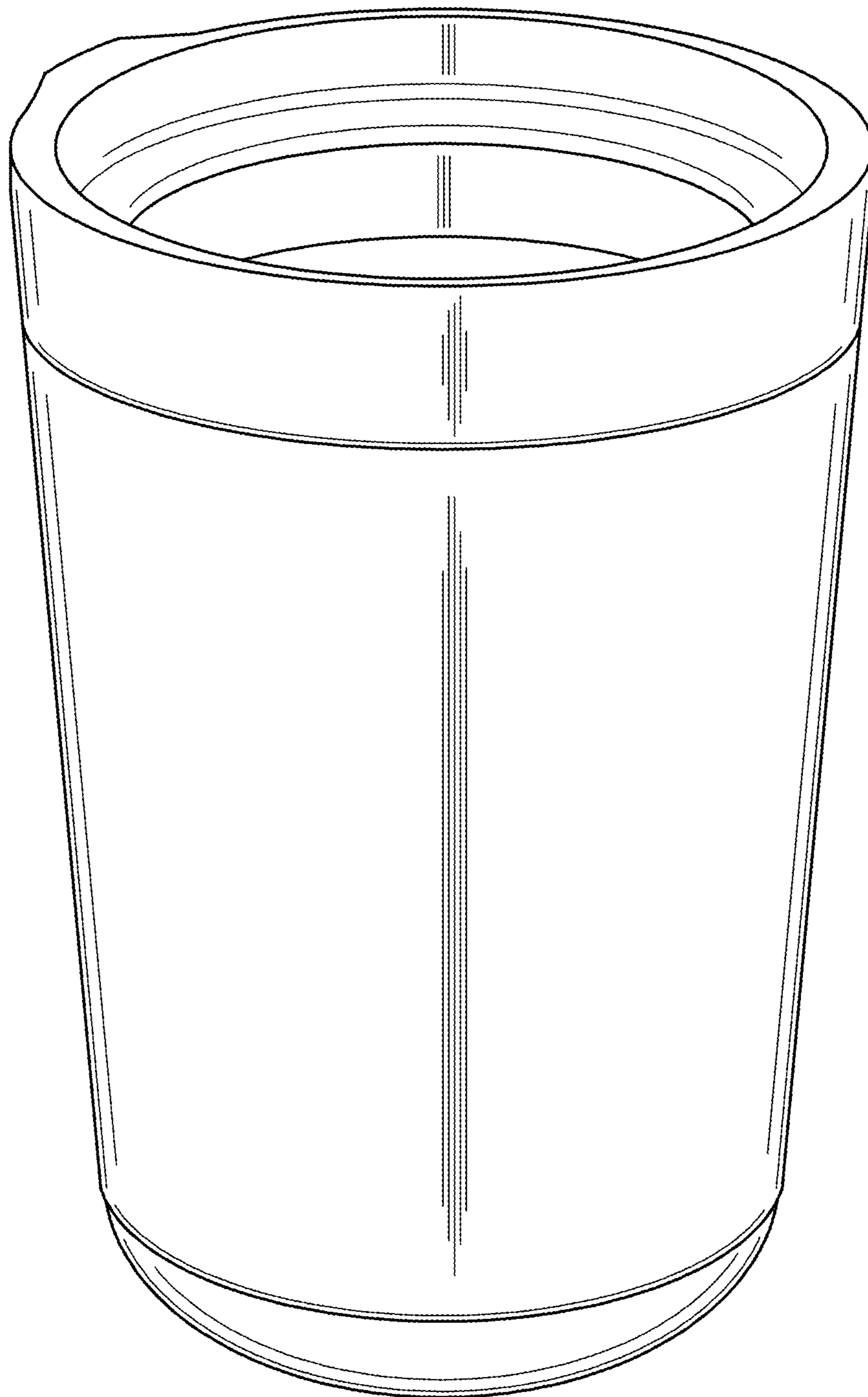


Fig. 1



Fig. 2

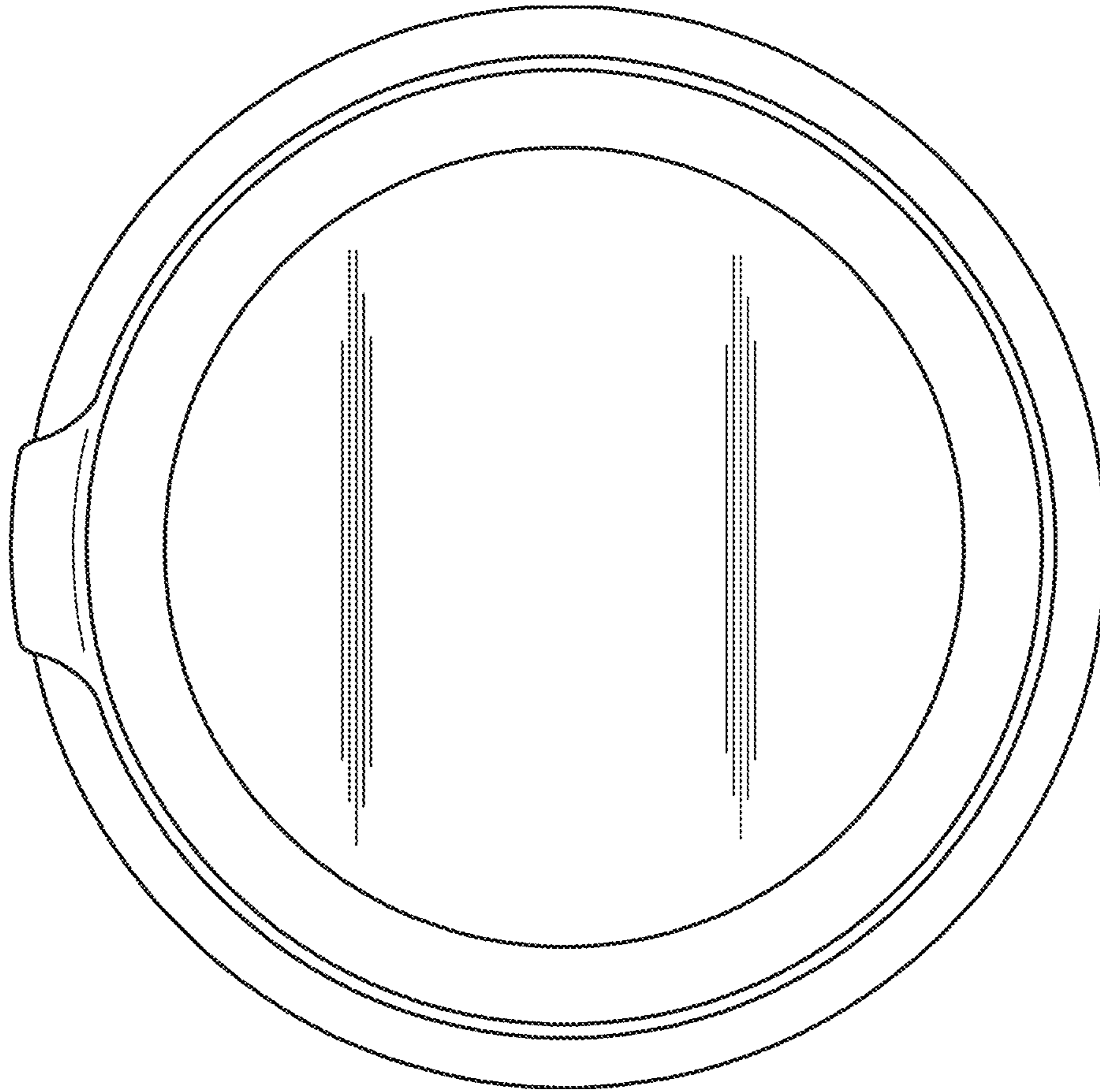


Fig. 3

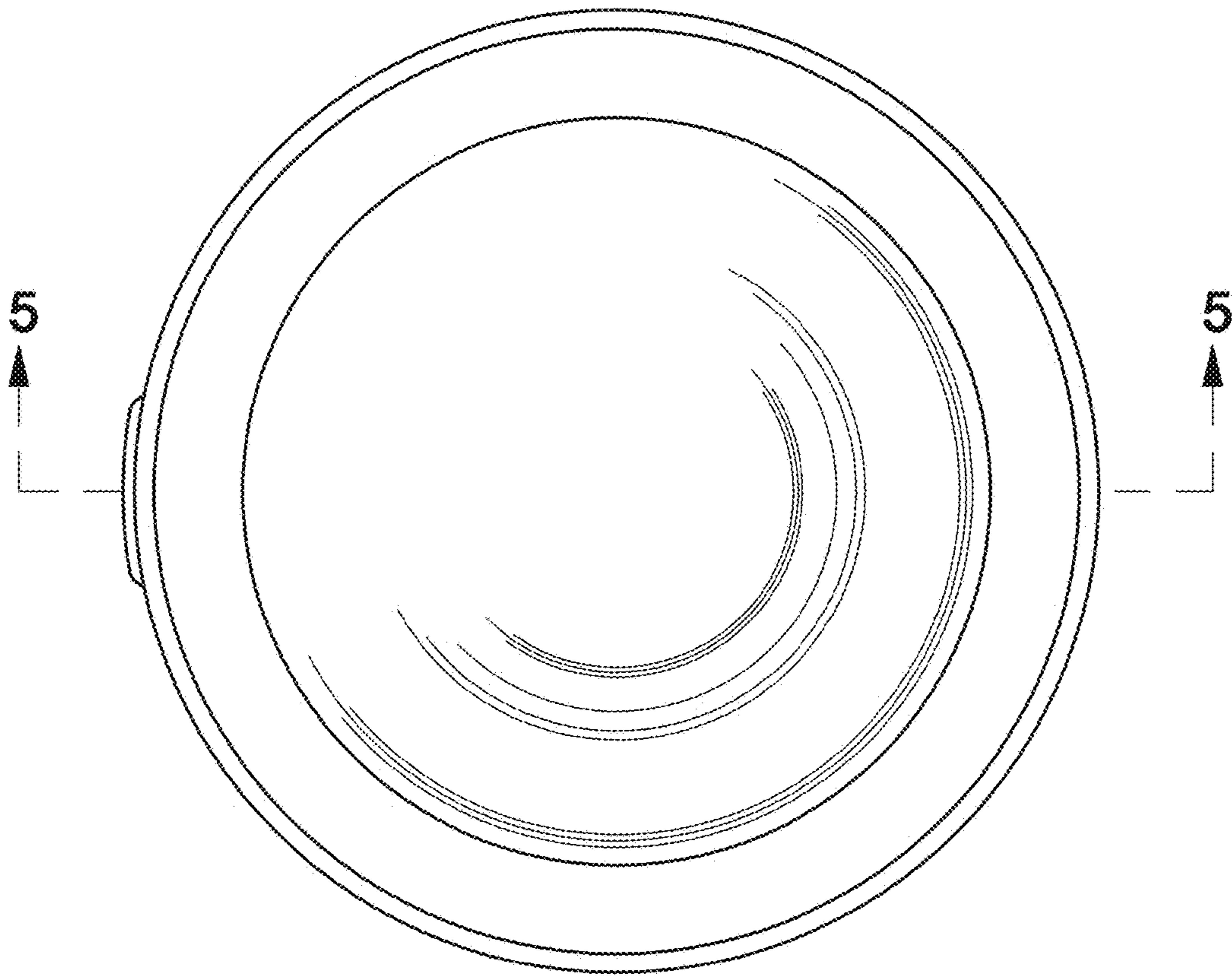


Fig. 4

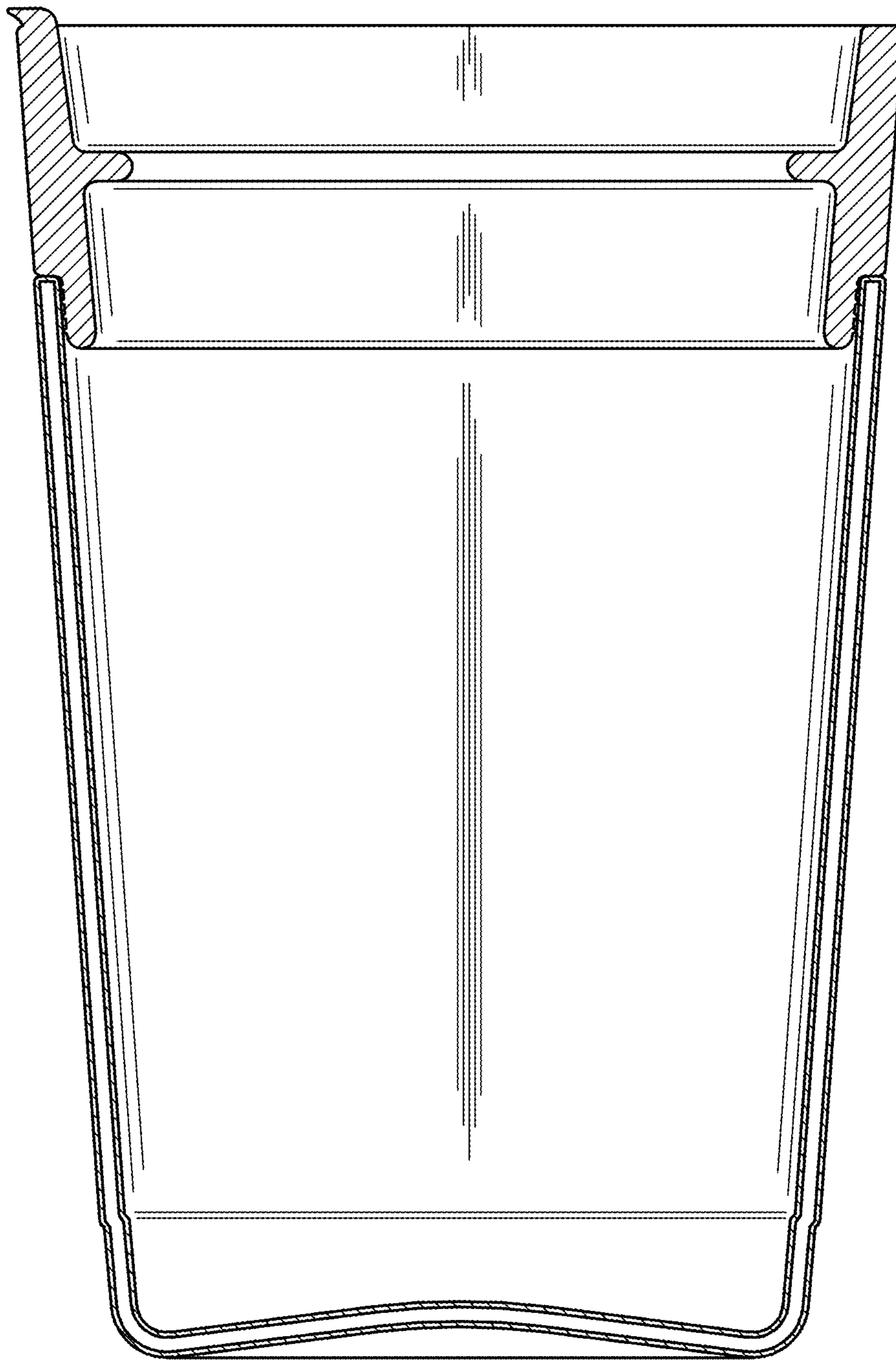


Fig. 5