



US00D829054S

(12) **United States Design Patent**
Breit et al.

(10) **Patent No.:** **US D829,054 S**

(45) **Date of Patent:** **** Sep. 25, 2018**

(54) **WATER BOTTLE**

(71) Applicant: **O2COOL, LLC**, Chicago, IL (US)

(72) Inventors: **Oliver Breit**, Discovery Bay (HK);
Lars Junker, Kowloon (HK); **Michael Ksiazek**, Burr Ridge, IL (US)

(73) Assignee: **O2COOL, LLC**, Chicago, IL (US)

(**) Term: **15 Years**

(21) Appl. No.: **29/606,835**

(22) Filed: **Jun. 8, 2017**

(51) **LOC (11) Cl.** **07-01**

(52) **U.S. Cl.**
USPC **D7/510; D7/511; D7/523**

(58) **Field of Classification Search**
USPC D7/507, 509, 510, 511, 523, 602, 305,
D7/400, 397, 388, 529, 532, 392.1, 396.2,
D7/667, 533, 536, 530, 514, 515, 531;
D9/500, 501, 502, 518, 531, 532, 448,
D9/651, 551, 565; 220/592.16, 592.17
CPC A47G 19/22; A47G 19/2205; A47G
19/2266; A45F 3/16; A47J 43/27; A47J
41/02

See application file for complete search history.

(56) **References Cited**

U.S. PATENT DOCUMENTS

D465,385 S * 11/2002 Miller D7/523
D564,840 S * 3/2008 Williams D7/510
D586,183 S * 2/2009 Junkel D7/511
D629,644 S * 12/2010 Zhuang D7/392.1
D687,677 S * 8/2013 Sturgess D7/507
D690,557 S * 10/2013 Carreno D7/510
D700,515 S * 3/2014 Herbst D9/448
D725,966 S * 4/2015 Boroski D7/511

D732,964 S * 6/2015 Dyer D7/392.1
D734,151 S * 7/2015 Herbst D9/448
D747,918 S * 1/2016 Herbst D7/392.1
D759,485 S * 6/2016 Boroski D9/449
D767,336 S * 9/2016 Waggoner D7/507
D792,216 S * 7/2017 Breit D9/443
D793,804 S * 8/2017 Herbst D7/392.1
D809,399 S * 2/2018 Kwon D9/643
D809,856 S * 2/2018 Winn D7/392.1
2014/0119154 A1* 5/2014 Kershaw B01F 13/0022
366/130
2015/0307265 A1* 10/2015 Winn A23L 2/395
426/66
2016/0235252 A1* 8/2016 Muir A47J 43/27

* cited by examiner

Primary Examiner — Marianne Pandozzi

Assistant Examiner — Jae Liang

(74) *Attorney, Agent, or Firm* — Thompson Coburn LLP

(57) **CLAIM**

The ornamental design for a water bottle, as shown and described.

DESCRIPTION

FIG. 1 is a first perspective view of a water bottle showing our new design;

FIG. 2 is a front view thereof;

FIG. 3 is a rear view thereof;

FIG. 4 is a left side view thereof;

FIG. 5 is a right side view thereof;

FIG. 6 is a top view thereof;

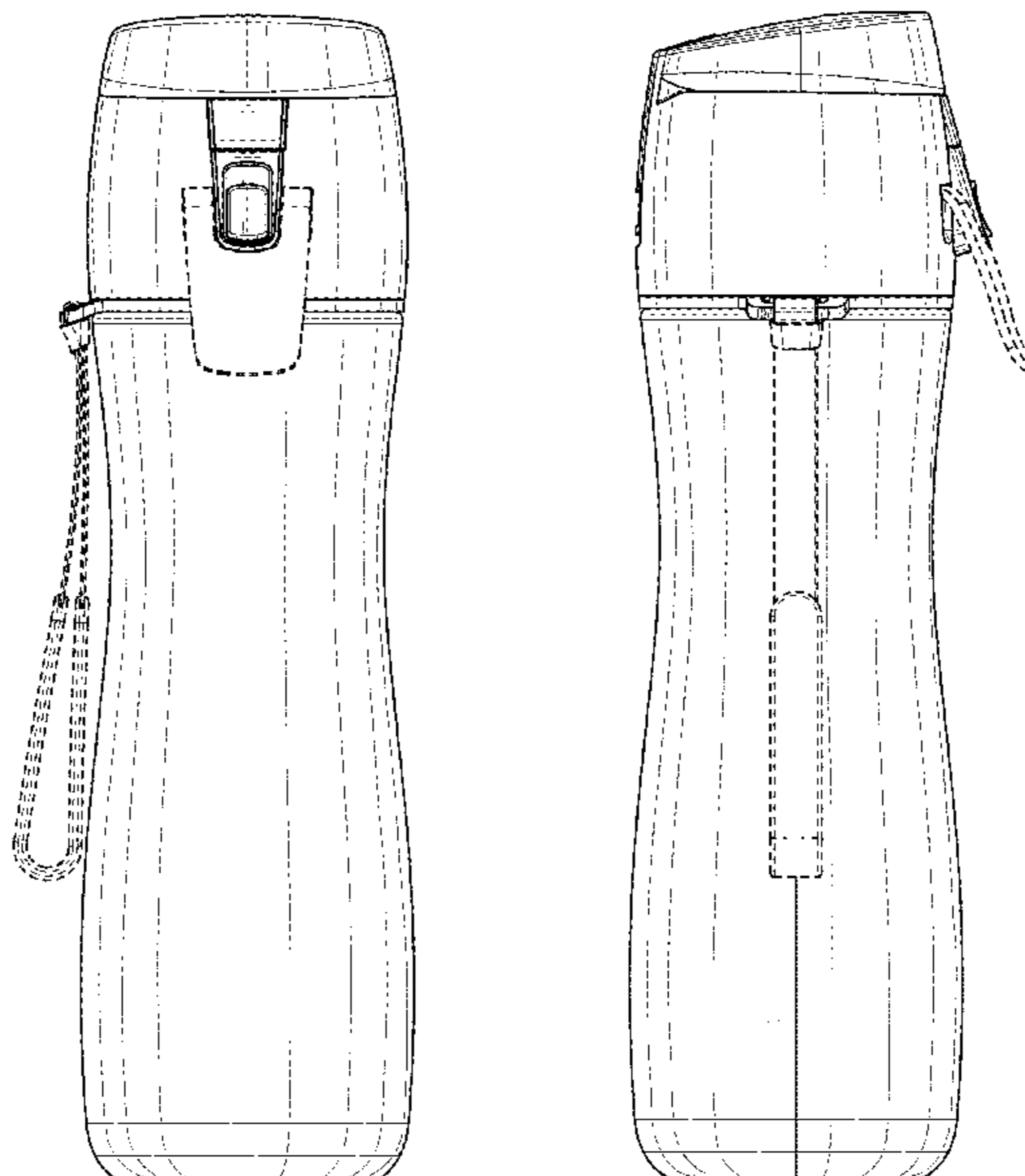
FIG. 7 is a bottom view thereof;

FIG. 8 is a second perspective view thereof; and,

FIG. 9 is an enlarged third perspective view thereof.

The broken lines in the drawings depict portions of the water bottle that form no part of the claimed design.

1 Claim, 9 Drawing Sheets



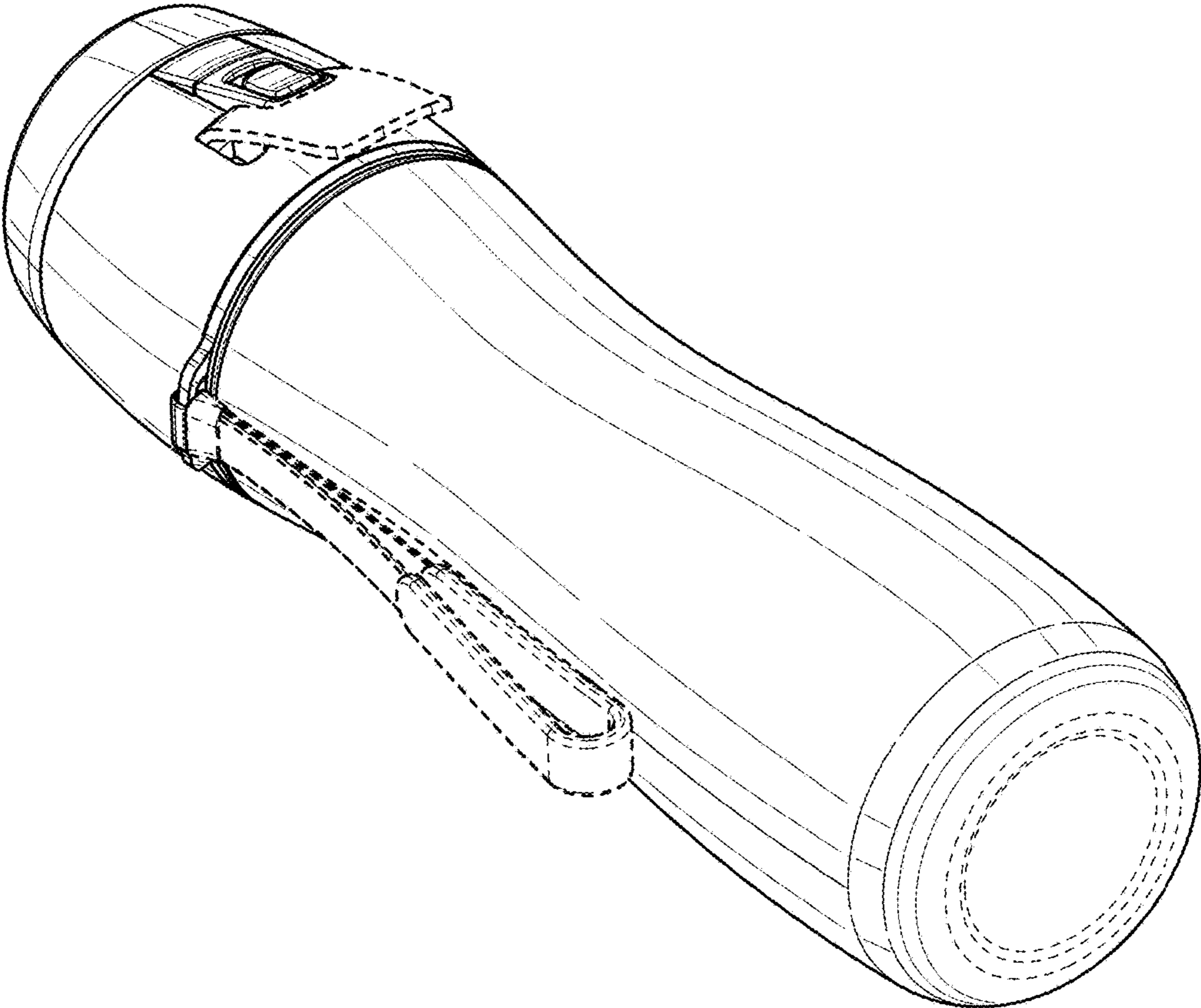


FIG. 1

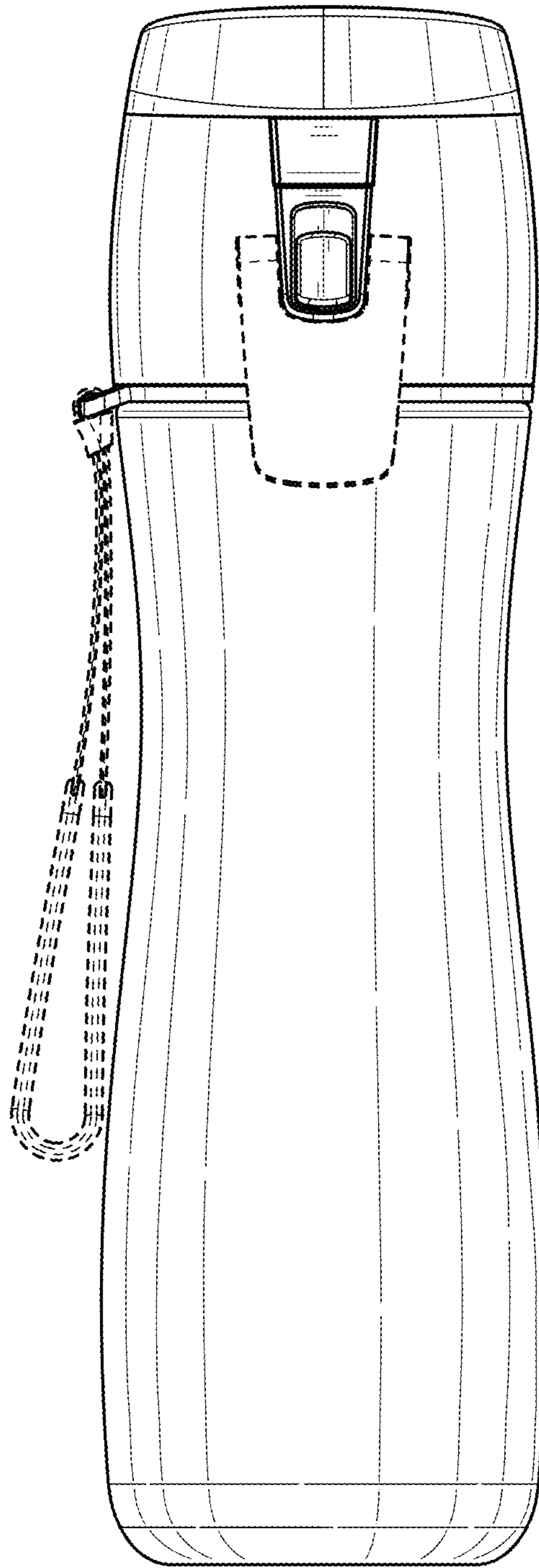


FIG. 2

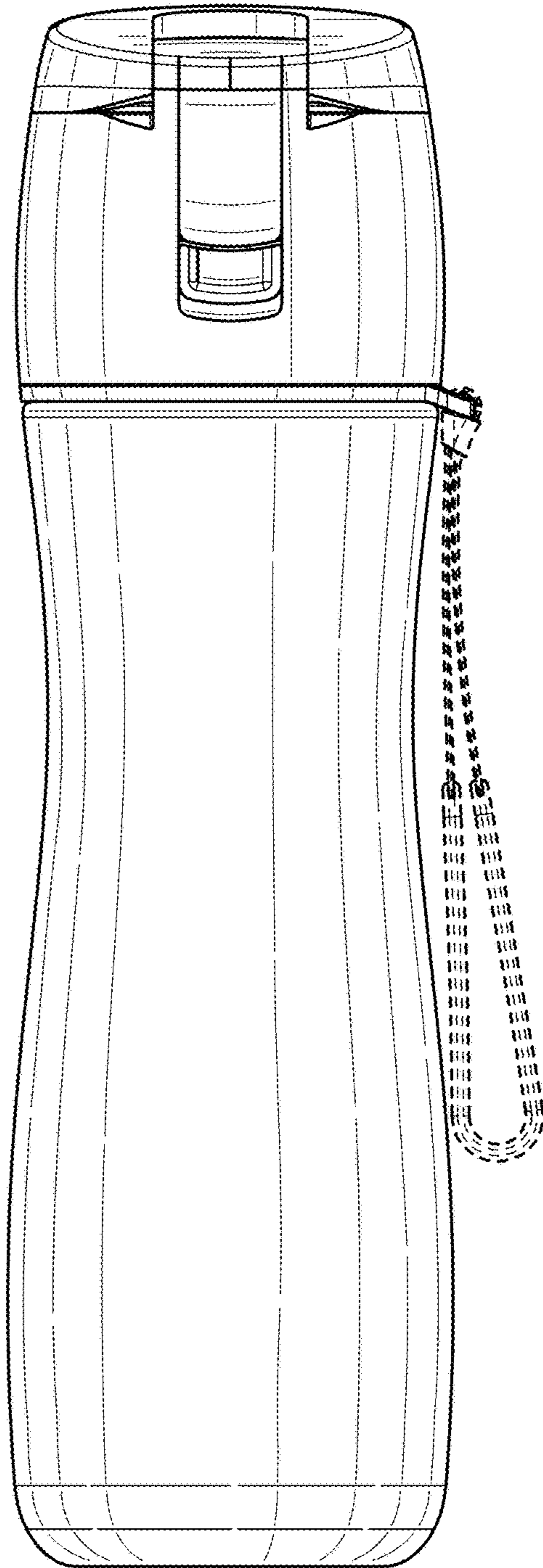


FIG. 3

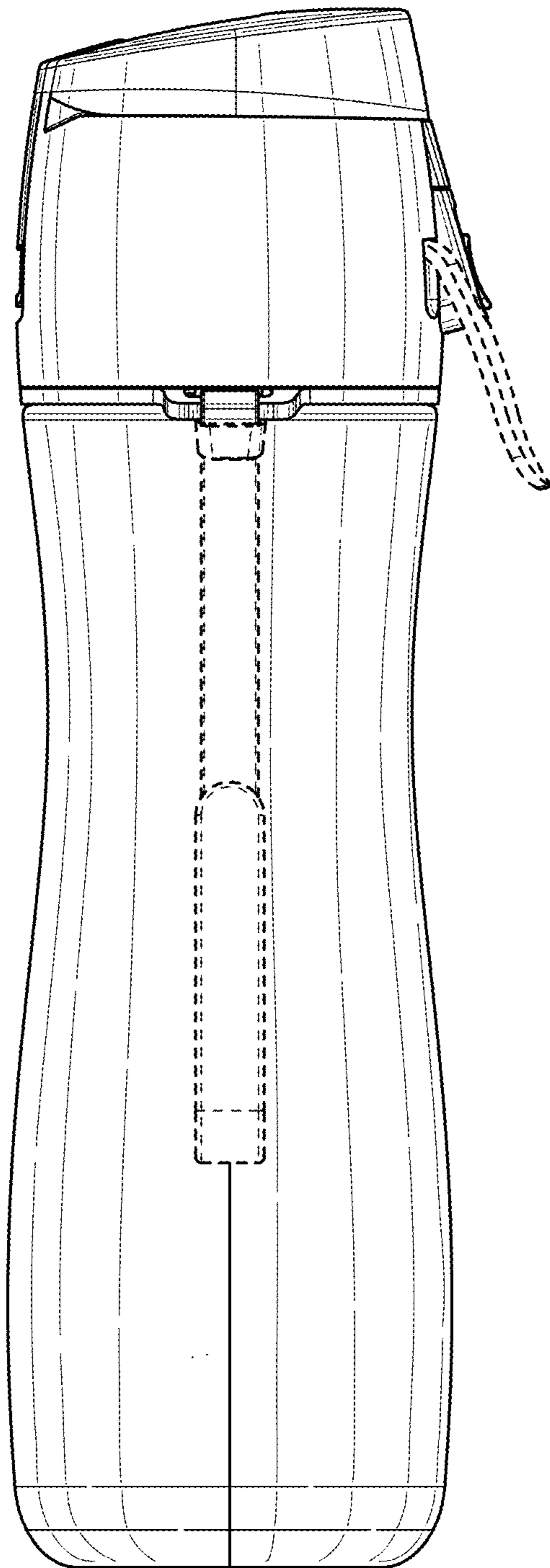


FIG. 4

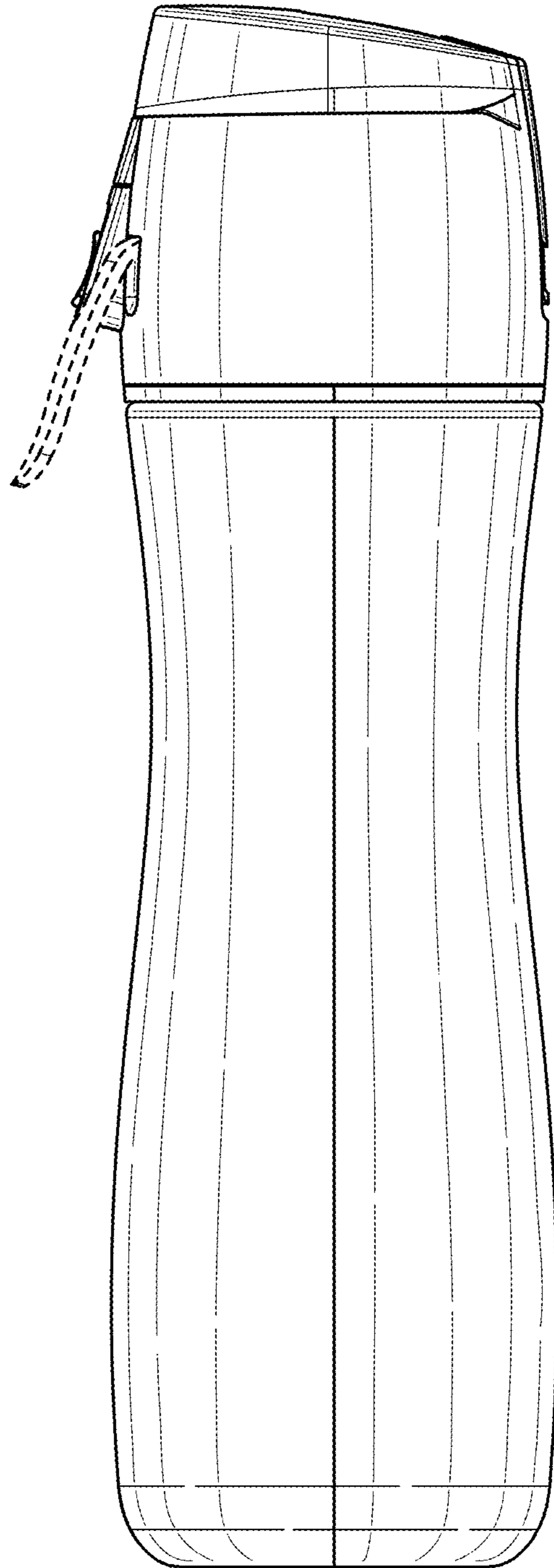


FIG. 5

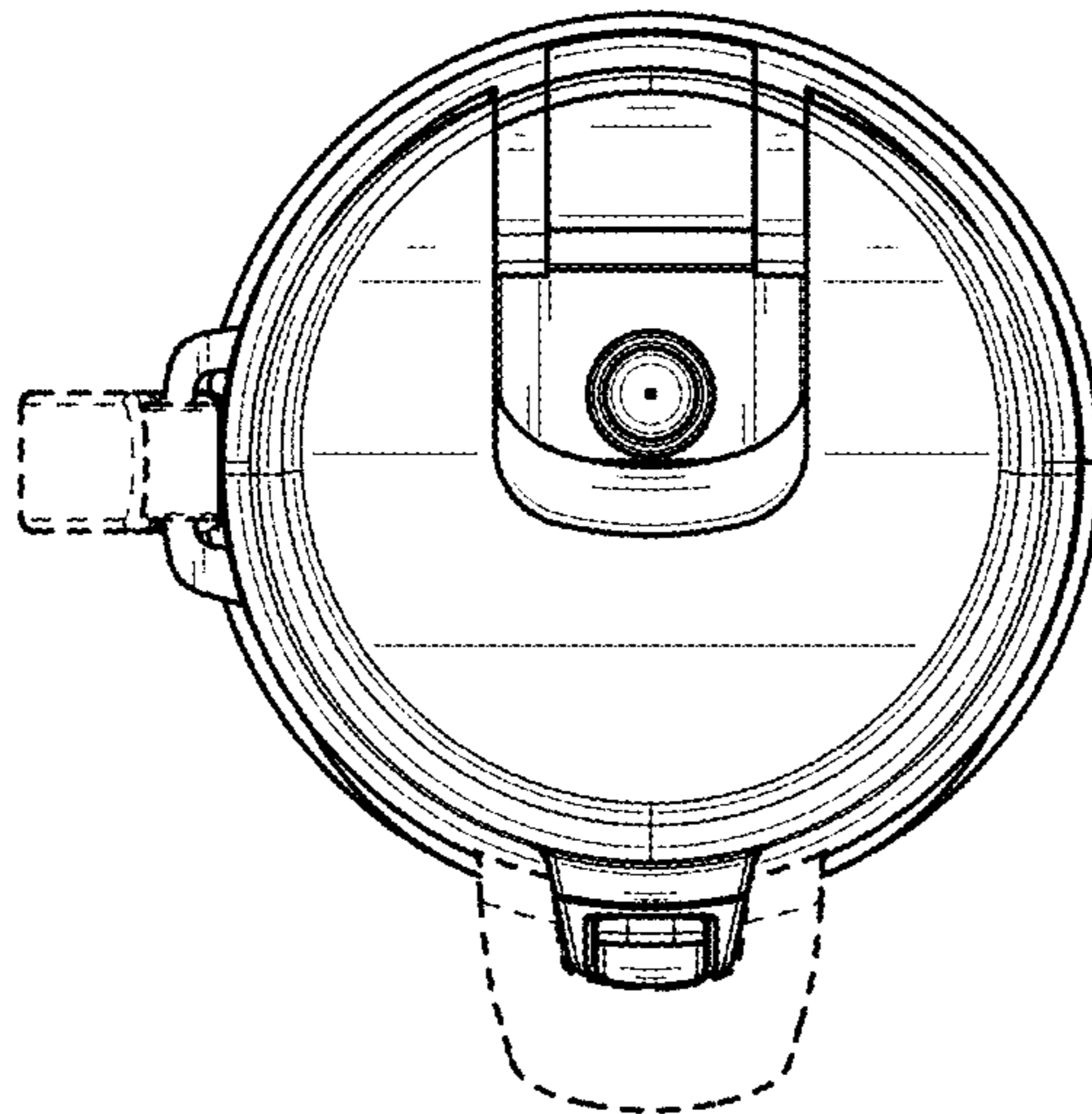


FIG. 6

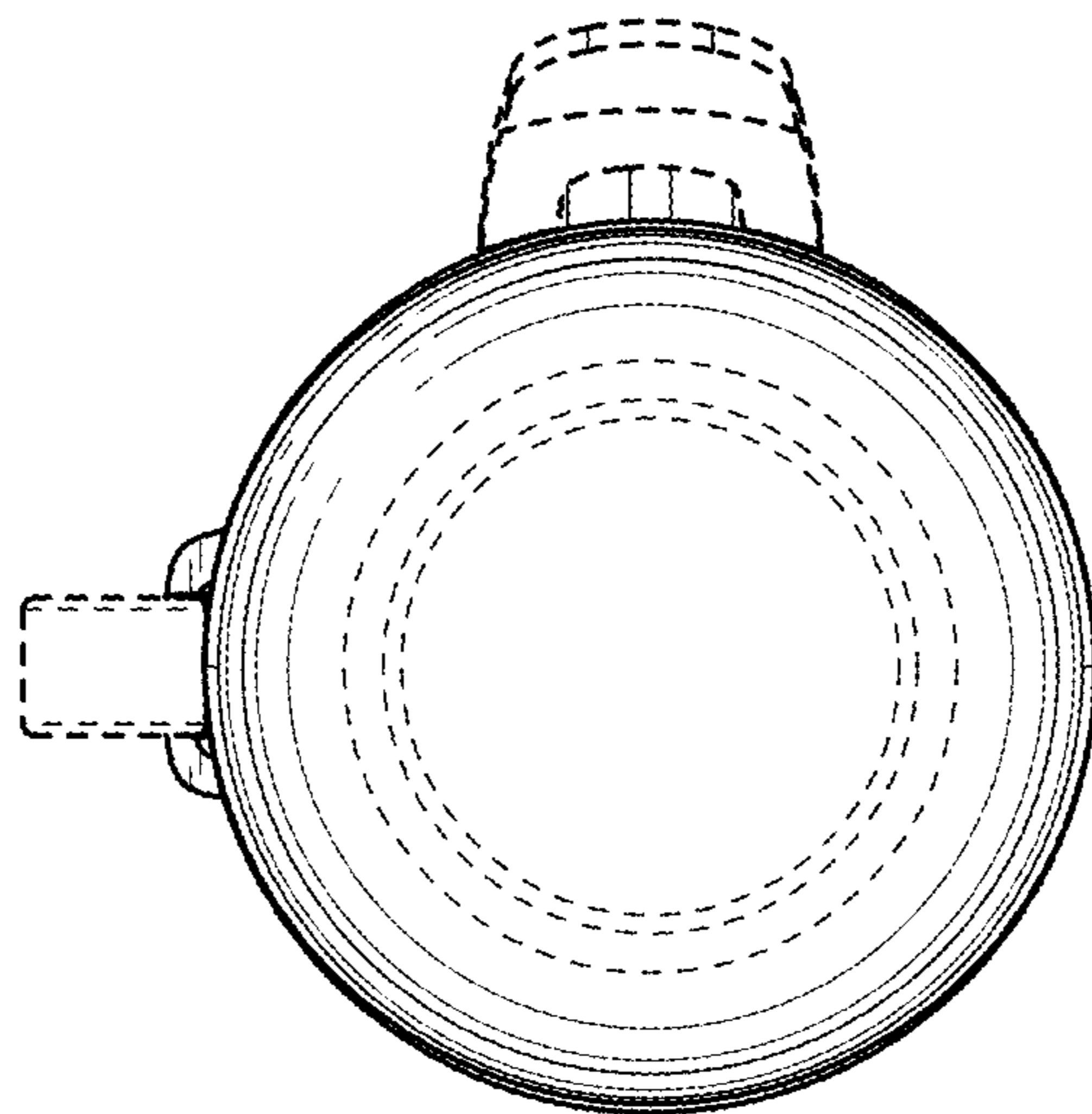


FIG. 7

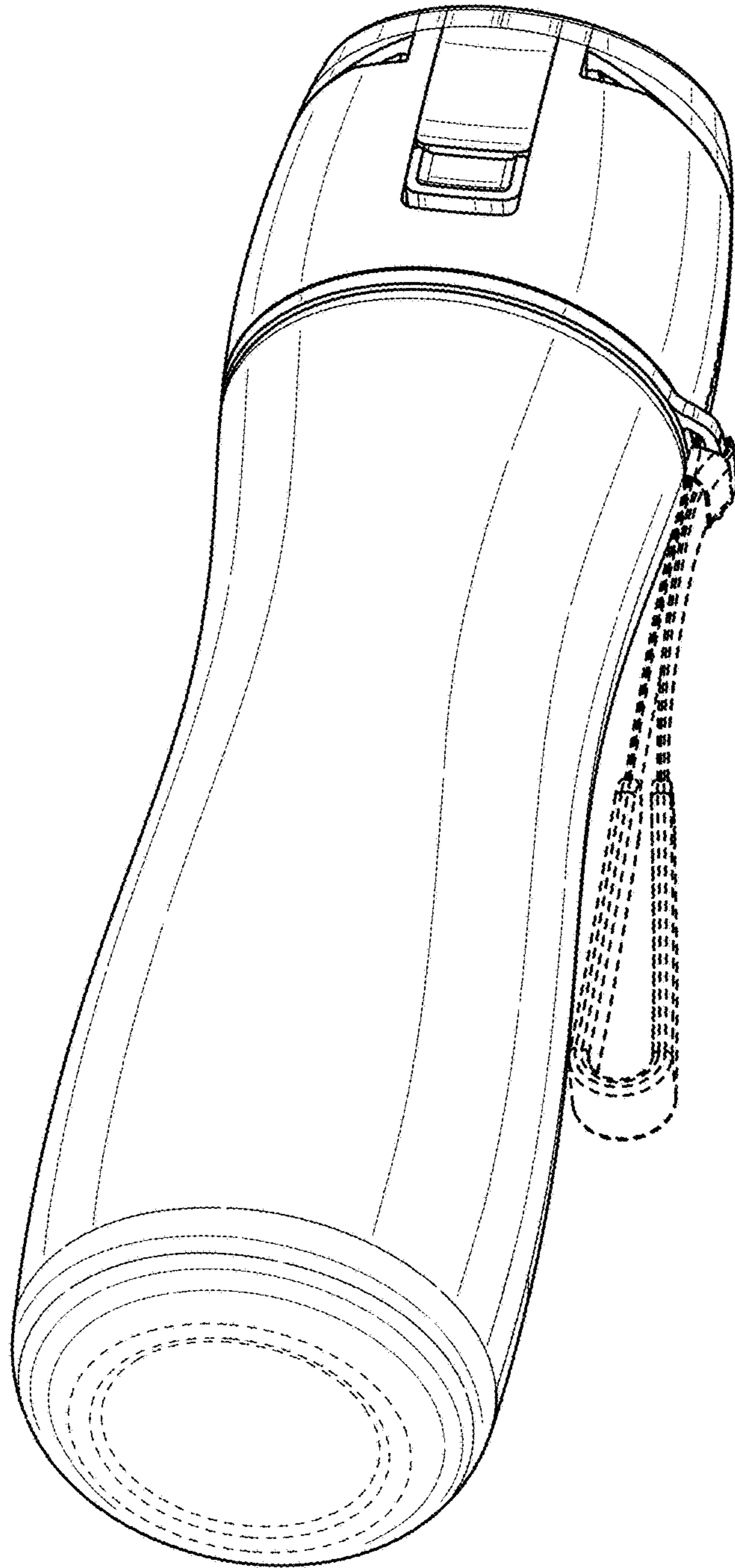


FIG. 8

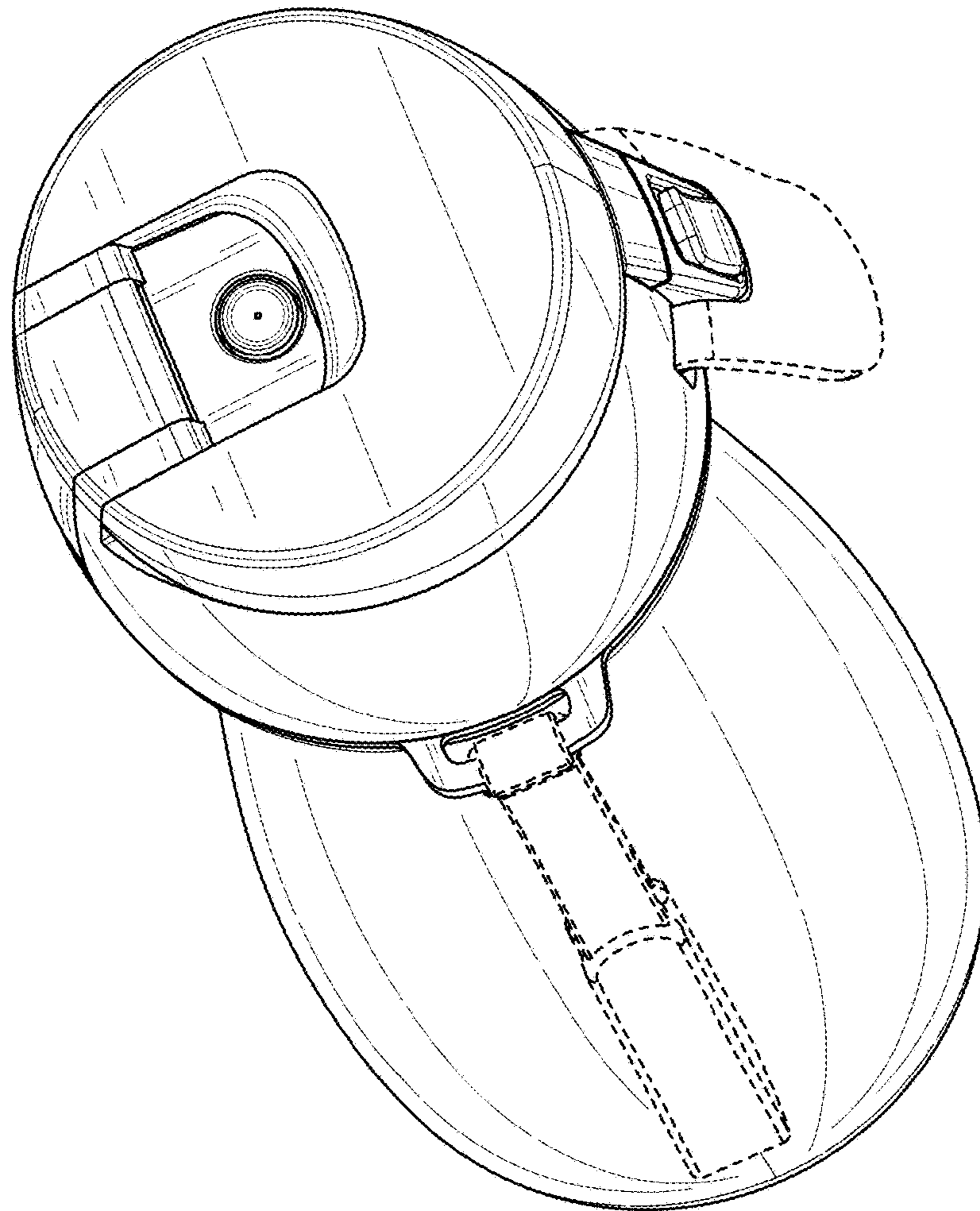


FIG. 9