



US00D829053S

(12) **United States Design Patent**  
**Leslie-Shattenkirk**

(10) **Patent No.:** **US D829,053 S**  
(45) **Date of Patent:** **\*\* Sep. 25, 2018**

(54) **BOTTLE FOR HOLDING A CRYSTAL**

(71) Applicant: **Sharon Leslie-Shattenkirk**, Denver,  
CO (US)

(72) Inventor: **Sharon Leslie-Shattenkirk**, Denver,  
CO (US)

(\*\*) Term: **15 Years**

(21) Appl. No.: **29/564,100**

(22) Filed: **May 10, 2016**

(51) **LOC (11) Cl.** ..... **07-01**

(52) **U.S. Cl.**  
USPC ..... **D7/507; D7/514; D7/523; D7/510;**  
**D9/651**

(58) **Field of Classification Search**

USPC ..... **D7/507, 509, 510, 511, 523, 529, 530,**  
**D7/608, 536, 532, 514, 515; D9/500,**  
**D9/502, 503, 504, 517, 530, 538, 539,**  
**D9/540, 541, 544, 545, 547, 548, 552,**  
**D9/569, 453, 452, 651; 220/592.16,**  
**220/592.17; 215/381, 382**  
CPC ..... **A47G 19/22; A47G 19/2205; A47G**  
**19/2211; A47G 19/2266; A47G 19/2272;**  
**A45F 3/16; B65D 41/04**

See application file for complete search history.

(56) **References Cited**

**U.S. PATENT DOCUMENTS**

D160,876 S \* 11/1950 Mesi ..... D7/596  
D289,143 S \* 4/1987 Guillaume ..... D9/445  
D320,347 S \* 10/1991 Lucarelli ..... D9/414  
D320,469 S \* 10/1991 Hoenig ..... D28/7  
5,282,541 A \* 2/1994 Chen ..... A47G 19/2266  
215/12.1  
D362,598 S \* 9/1995 Kibbe ..... D7/678  
D376,979 S \* 12/1996 Davidson, III ..... D9/504  
D469,664 S \* 2/2003 Marks ..... D7/608  
D490,652 S \* 6/2004 Xiong ..... D7/510  
D505,831 S \* 6/2005 Liu ..... D7/510

D560,097 S \* 1/2008 Shen ..... D7/300  
D570,648 S \* 6/2008 Bodum ..... D7/509  
D580,066 S \* 11/2008 Tilbury ..... D24/197  
D606,661 S \* 12/2009 Colombo ..... D24/197  
D607,748 S \* 1/2010 Schmidt ..... D9/721  
D627,602 S \* 11/2010 Eyal ..... D7/510  
D639,114 S \* 6/2011 Swinford ..... D7/396.2  
D639,663 S \* 6/2011 Llerena ..... D9/504

(Continued)

**OTHER PUBLICATIONS**

<http://www.vitajuwel.us/en/products/newvitajuwelvia> VitaJuwel Via  
Nov. 19, 2015.\*

(Continued)

*Primary Examiner* — Marianne Pandozzi

*Assistant Examiner* — Jae Liang

(74) *Attorney, Agent, or Firm* — Garvey, Smith &  
Nehrbass, Patent Attorneys, L.L.C.; Seth M. Nehrbass;  
Mackenzie D. Rodriguez

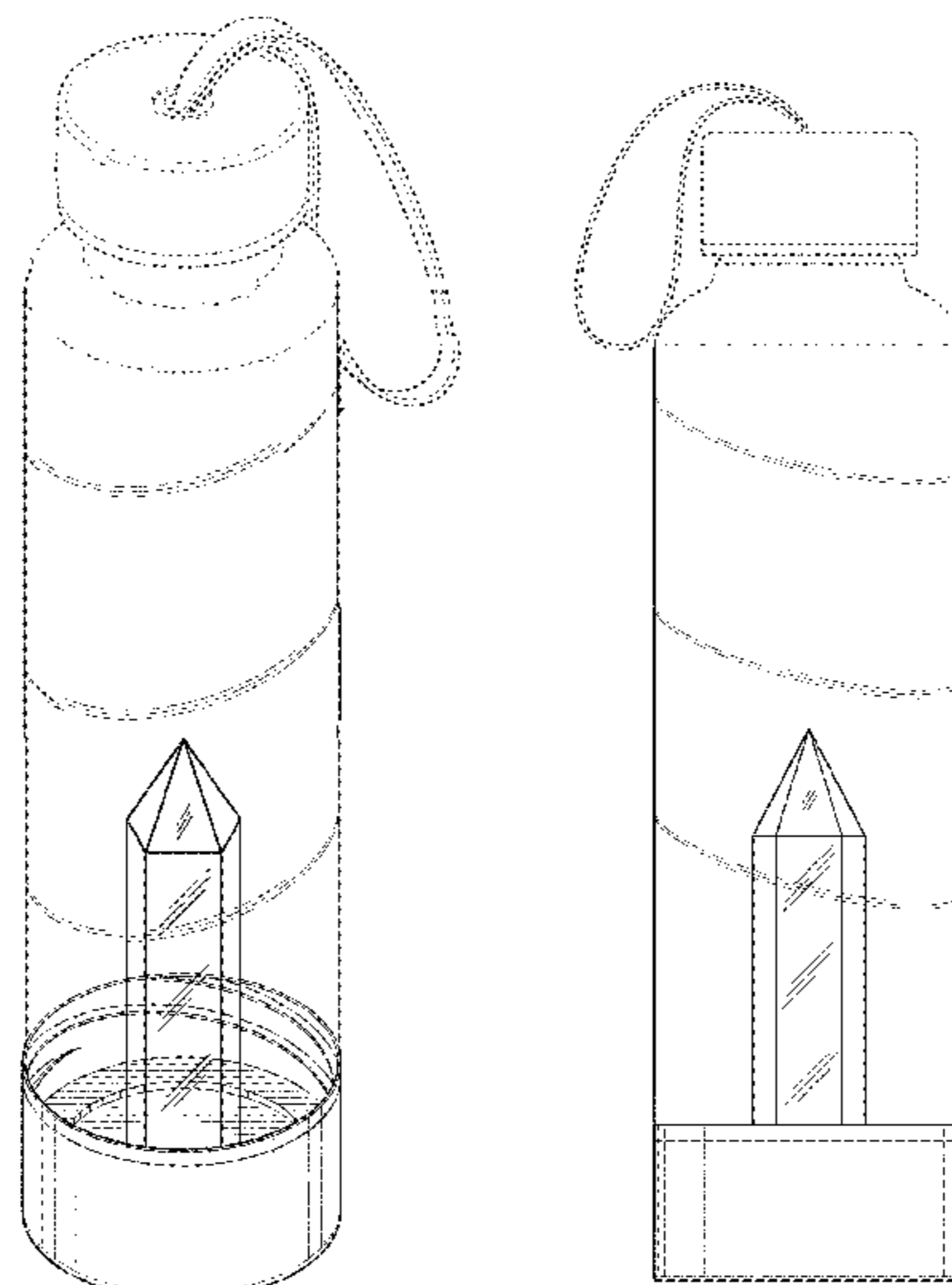
(57) **CLAIM**

The ornamental design for a bottle holding a crystal, as  
shown and described.

**DESCRIPTION**

FIG. 1 is a front perspective view of a bottle holding a  
crystal showing my new design;  
FIG. 2 is a right side elevational view thereof;  
FIG. 3 is a left side elevational view thereof;  
FIG. 4 is a rear elevational view thereof;  
FIG. 5 is a front elevational view thereof;  
FIG. 6 is a cross section view showing a section taken along  
line 6-6 of FIG. 3;  
FIG. 7 is a bottom view thereof; and,  
FIG. 8 is an exploded perspective view thereof.  
The broken lines in the drawing depict portions of the bottle  
holding a crystal that form no part of the claimed design.

**1 Claim, 5 Drawing Sheets**



(56)

References Cited

U.S. PATENT DOCUMENTS

D656,823 S \* 4/2012 Kriegel ..... D9/454  
 D683,184 S \* 5/2013 Lin ..... D7/316  
 D700,014 S \* 2/2014 Zeanah ..... D7/510  
 D709,322 S \* 7/2014 Ross ..... D7/399  
 D709,329 S \* 7/2014 Ross ..... D7/507  
 D722,113 S \* 2/2015 Knight ..... D20/8  
 D726,498 S \* 4/2015 Bukhari ..... D7/510  
 D726,499 S \* 4/2015 Kim ..... D7/510  
 9,010,953 B1 \* 4/2015 Wells ..... F21V 33/0056  
 362/101  
 D731,244 S \* 6/2015 Kohl ..... D7/510  
 D741,655 S \* 10/2015 Whelan ..... D7/300.1  
 D747,619 S \* 1/2016 Hampton ..... D7/316  
 D753,442 S \* 4/2016 Weernink ..... D7/507  
 D757,375 S \* 5/2016 Salais ..... D30/153  
 D763,086 S \* 8/2016 Kalagher ..... D9/504  
 D767,339 S \* 9/2016 Chitayat ..... D7/399  
 D770,848 S \* 11/2016 Wilson ..... D23/209

D776,483 S \* 1/2017 Chitayat ..... D7/507  
 D778,675 S \* 2/2017 Shi ..... D7/507  
 D784,765 S \* 4/2017 Yao ..... D7/510  
 D788,529 S \* 6/2017 Chitayat ..... D7/510  
 2009/0080180 A1 \* 3/2009 Bertken ..... A47G 19/2227  
 362/101  
 2015/0291312 A1 \* 10/2015 Kalagher ..... B65D 81/3227  
 215/6

OTHER PUBLICATIONS

<https://www.amazon.com/Swash-White-Glass-Bottle-Dimensions-25-4/dp/B00U26VZ9C> Swash Green Tea Bottle Feb. 27, 2015.\*  
[https://www.amazon.com/Hot-Cold-Glass-Tumbler-Bottle/dp/B00YOI1Y2W/ref=pd\\_sim\\_200\\_3?\\_encoding=UTF8&pd\\_rd\\_i=B00YOI1Y2W&pd\\_rd\\_r=ECSRZ7WRNDJWMQ64F6HE&pd\\_rd\\_w=yakof&pd\\_rd\\_wg=iRGVx&psc=1&refRID=ECSRZ7WRNDJWMQ64F6HEEfiliv](https://www.amazon.com/Hot-Cold-Glass-Tumbler-Bottle/dp/B00YOI1Y2W/ref=pd_sim_200_3?_encoding=UTF8&pd_rd_i=B00YOI1Y2W&pd_rd_r=ECSRZ7WRNDJWMQ64F6HE&pd_rd_w=yakof&pd_rd_wg=iRGVx&psc=1&refRID=ECSRZ7WRNDJWMQ64F6HEEfiliv) Jun. 2, 2015.\*

\* cited by examiner

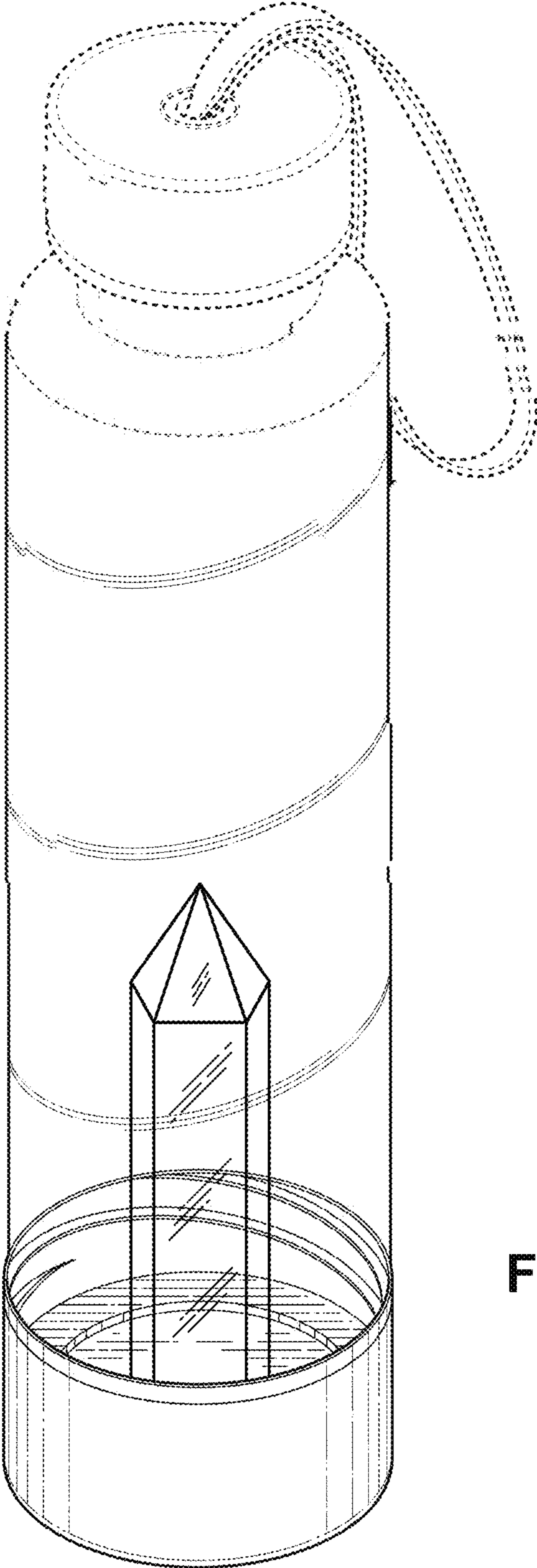


FIG. 1

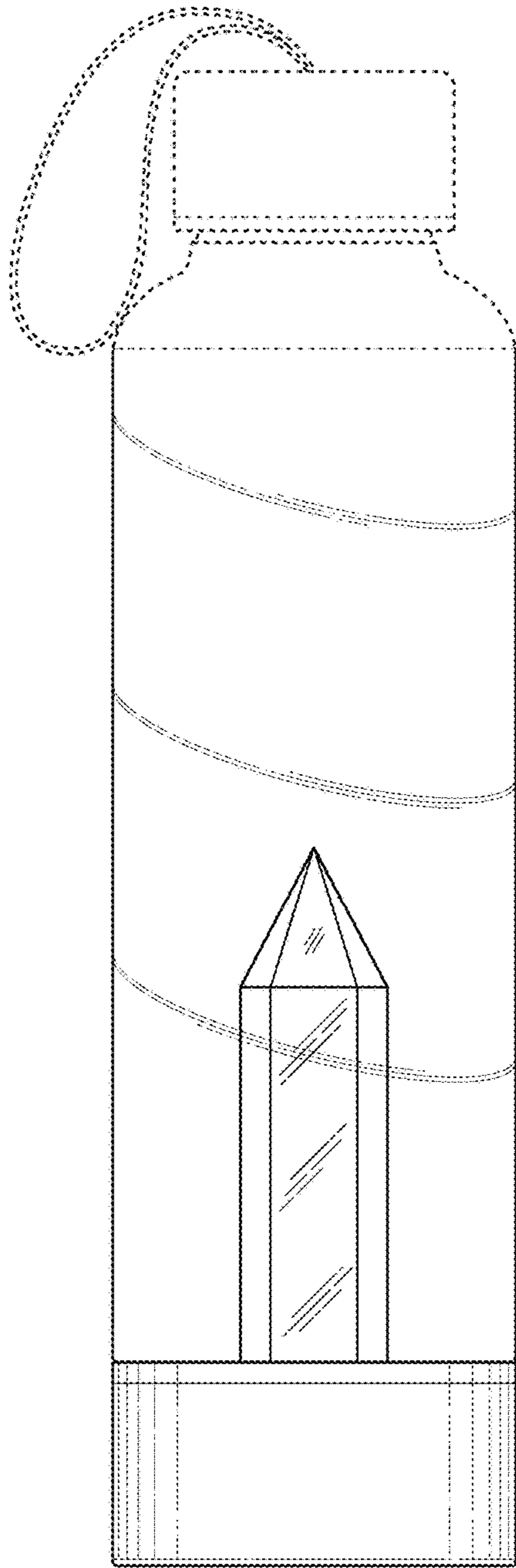


FIG. 2

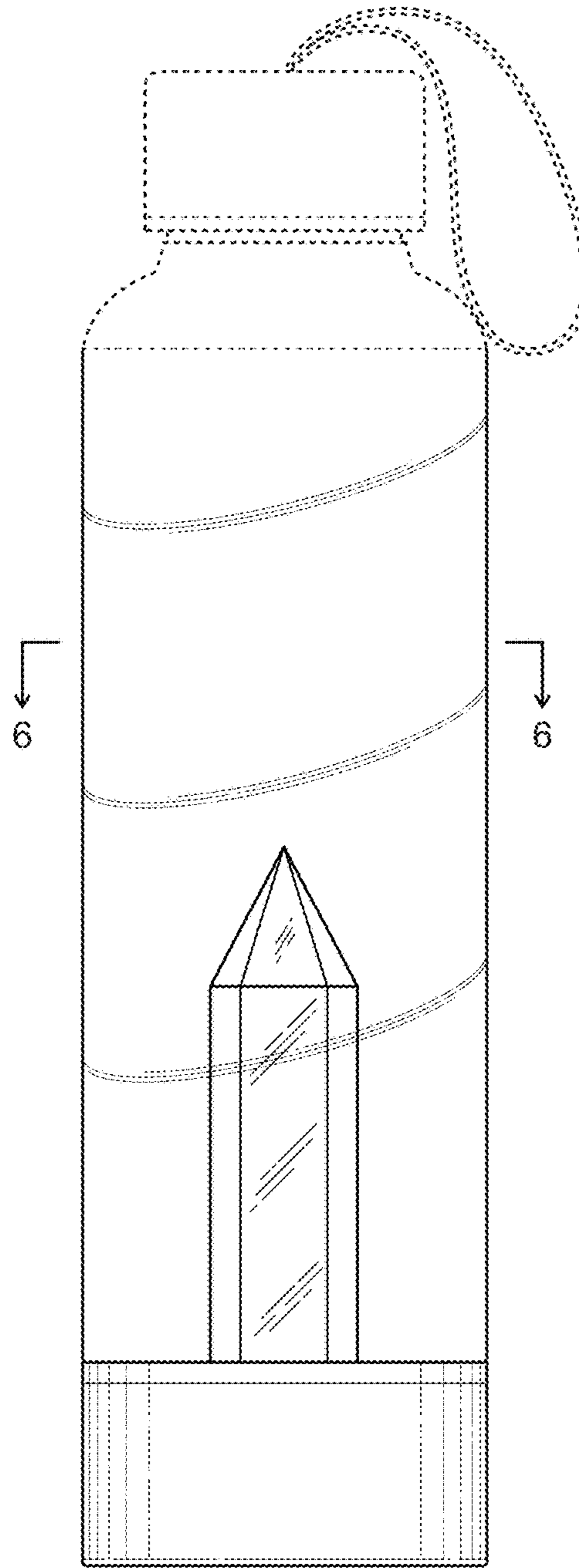


FIG. 3

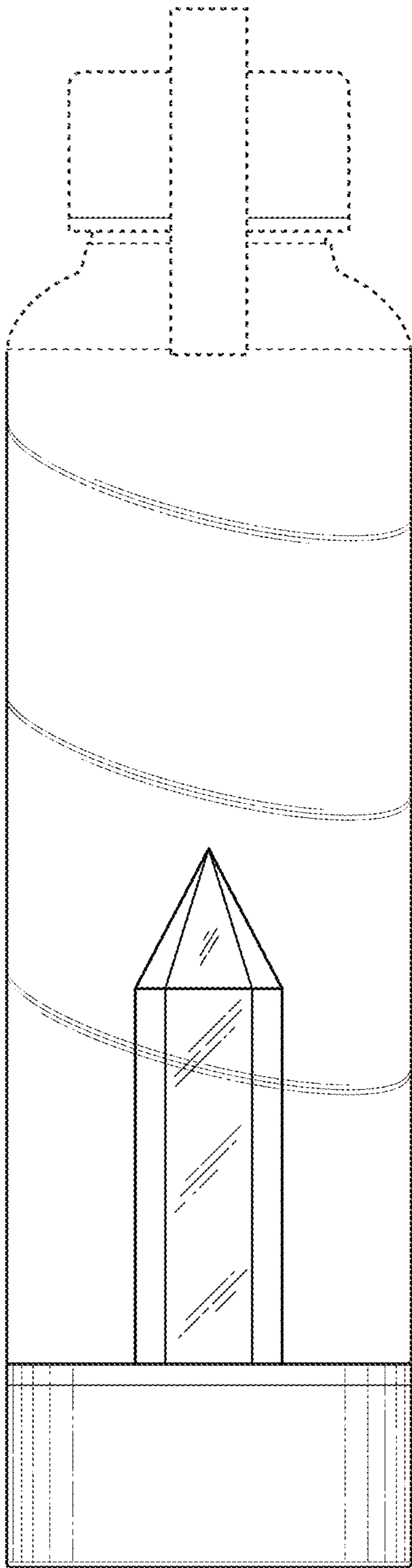


FIG. 4

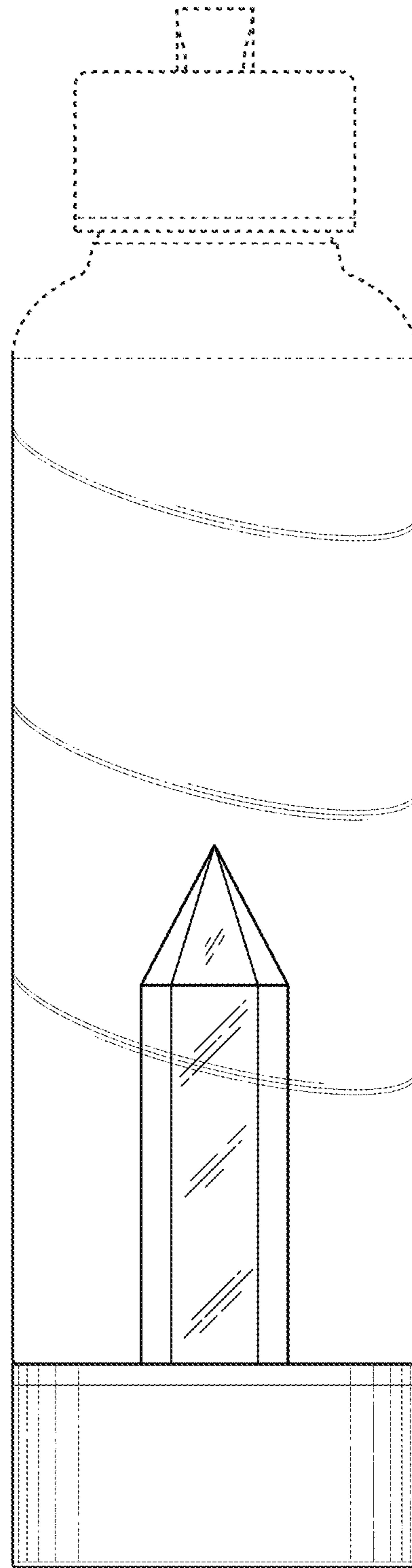
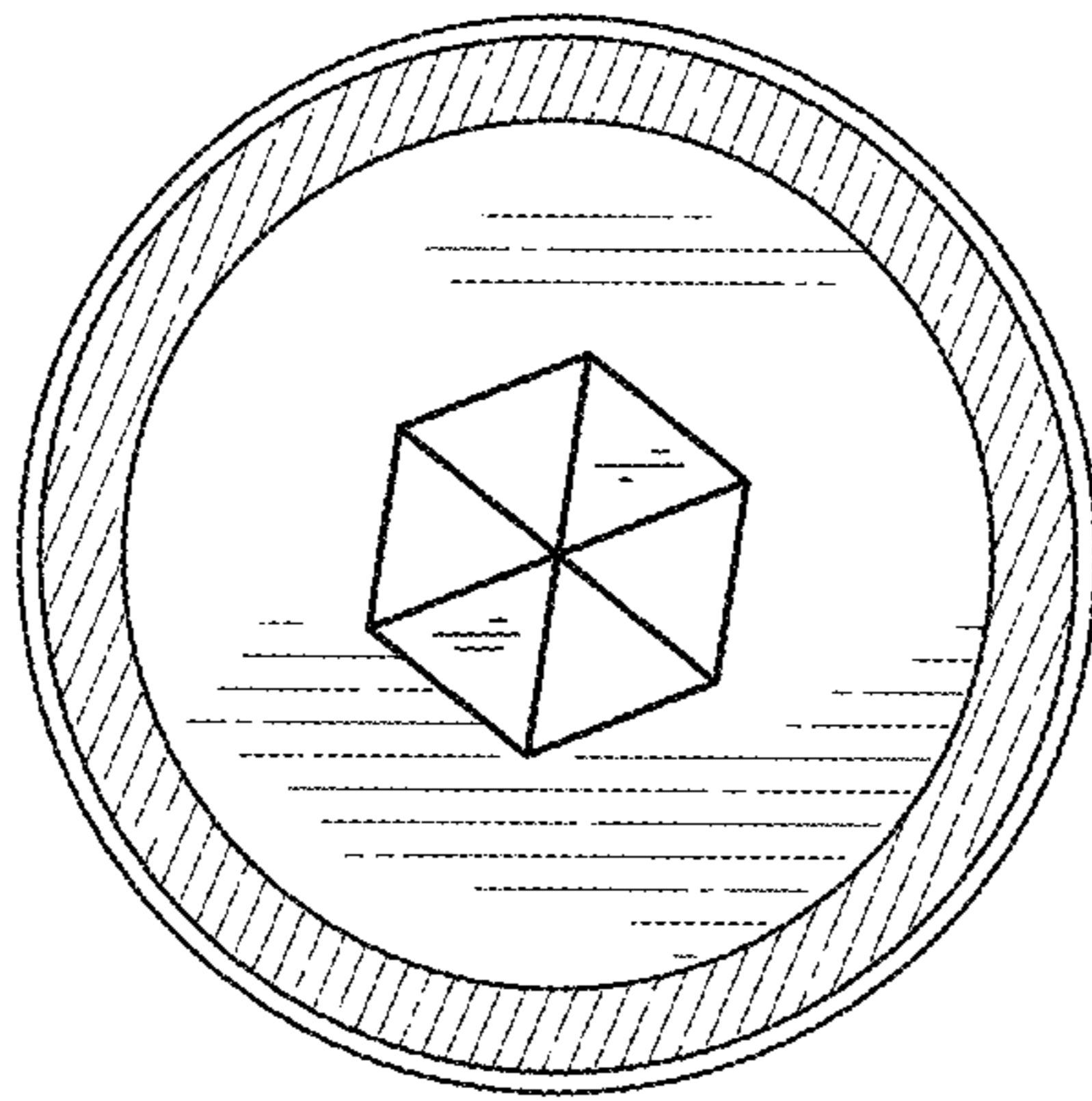
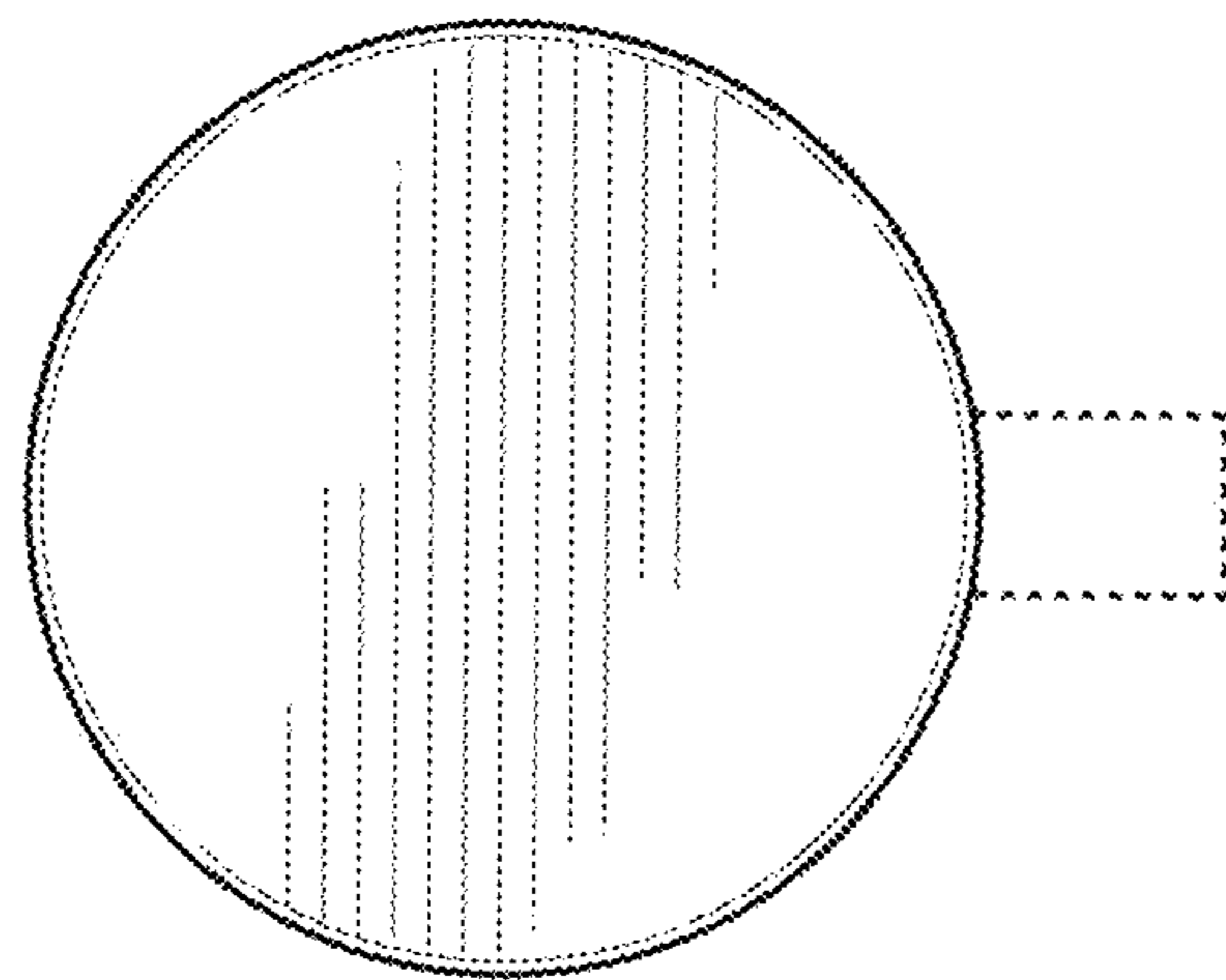


FIG. 5



**FIG. 6**



**FIG. 7**

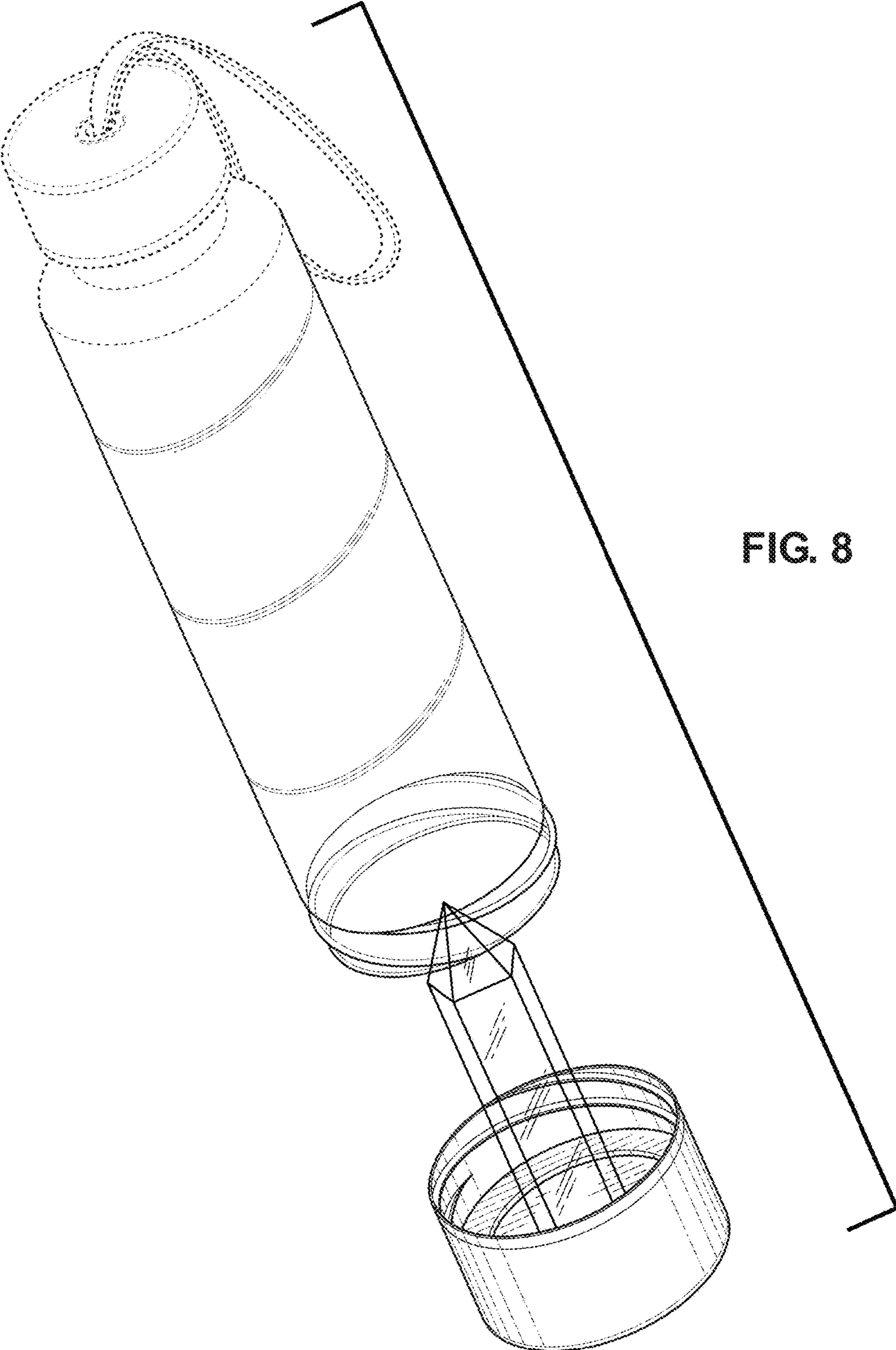


FIG. 8