



US00D829052S

(12) **United States Design Patent**
Gamble

(10) **Patent No.:** **US D829,052 S**

(45) **Date of Patent:** **** Sep. 25, 2018**

- (54) **REVERSIBLE GRIDDLE**
- (71) Applicant: **Nicholas Allen Gamble**, Anna, TX
(US)
- (72) Inventor: **Nicholas Allen Gamble**, Anna, TX
(US)
- (**) Term: **15 Years**
- (21) Appl. No.: **29/611,904**
- (22) Filed: **Jul. 26, 2017**
- (51) **LOC (11) Cl.** **07-02**
- (52) **U.S. Cl.**
USPC **D7/409; D7/354; D7/359; D7/360**
- (58) **Field of Classification Search**
USPC **D7/323, 332, 335-337, 354-355,**
D7/359-364, 387-388, 402, 407-409,
D7/505, 698
CPC **A21B 2/00; A21B 3/00; A21B 3/13; A21B**
3/15; A21B 5/00; A21B 5/02; A23N
12/06; A23N 12/08; A23N 12/10; A47J
37/00; A47J 37/04; A47J 37/041; A47J
37/042; A47J 37/005; A47J 37/06; A47J
37/067; A47J 37/0688; A47J 37/0694;
A47J 37/07; A47J 37/0704; A47J
37/0709; A47J 37/10; A47J 47/20; A47J
2037/00; A47J 2037/06; A47J 2037/0611;
A47J 2037/07; A47J 2037/0786; A47J
2037/0795; F24C 15/10; F24C 15/12;
F24C 15/14; F24C 15/16; F24C 15/164;
F24C 15/18
See application file for complete search history.

- (56) **References Cited**
U.S. PATENT DOCUMENTS
D271,072 S * 10/1983 Mjelde D7/388
4,930,491 A * 6/1990 Purello A47J 37/067
126/25 R
4,930,759 A * 6/1990 Potter A47J 47/005
269/289 R

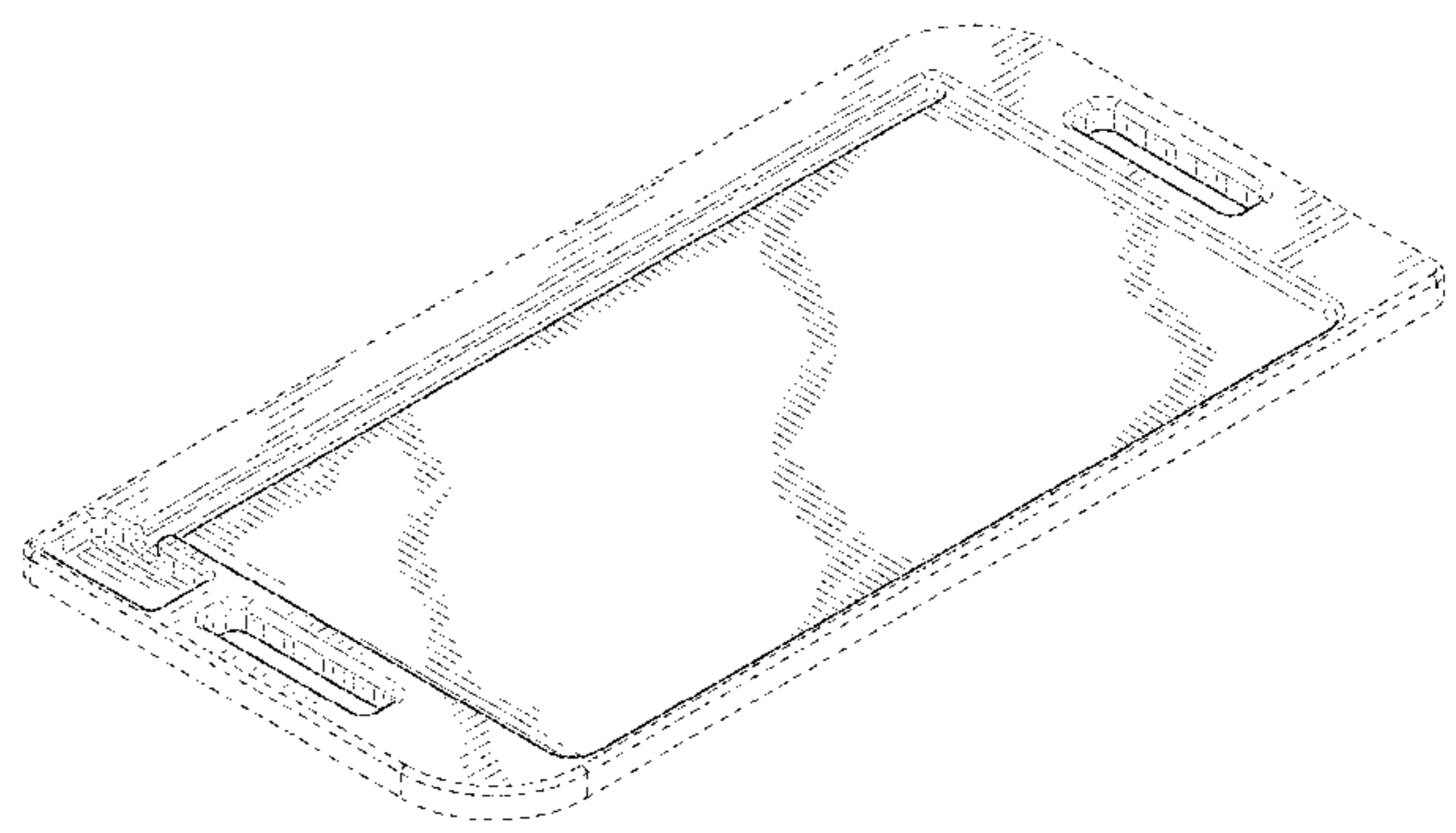
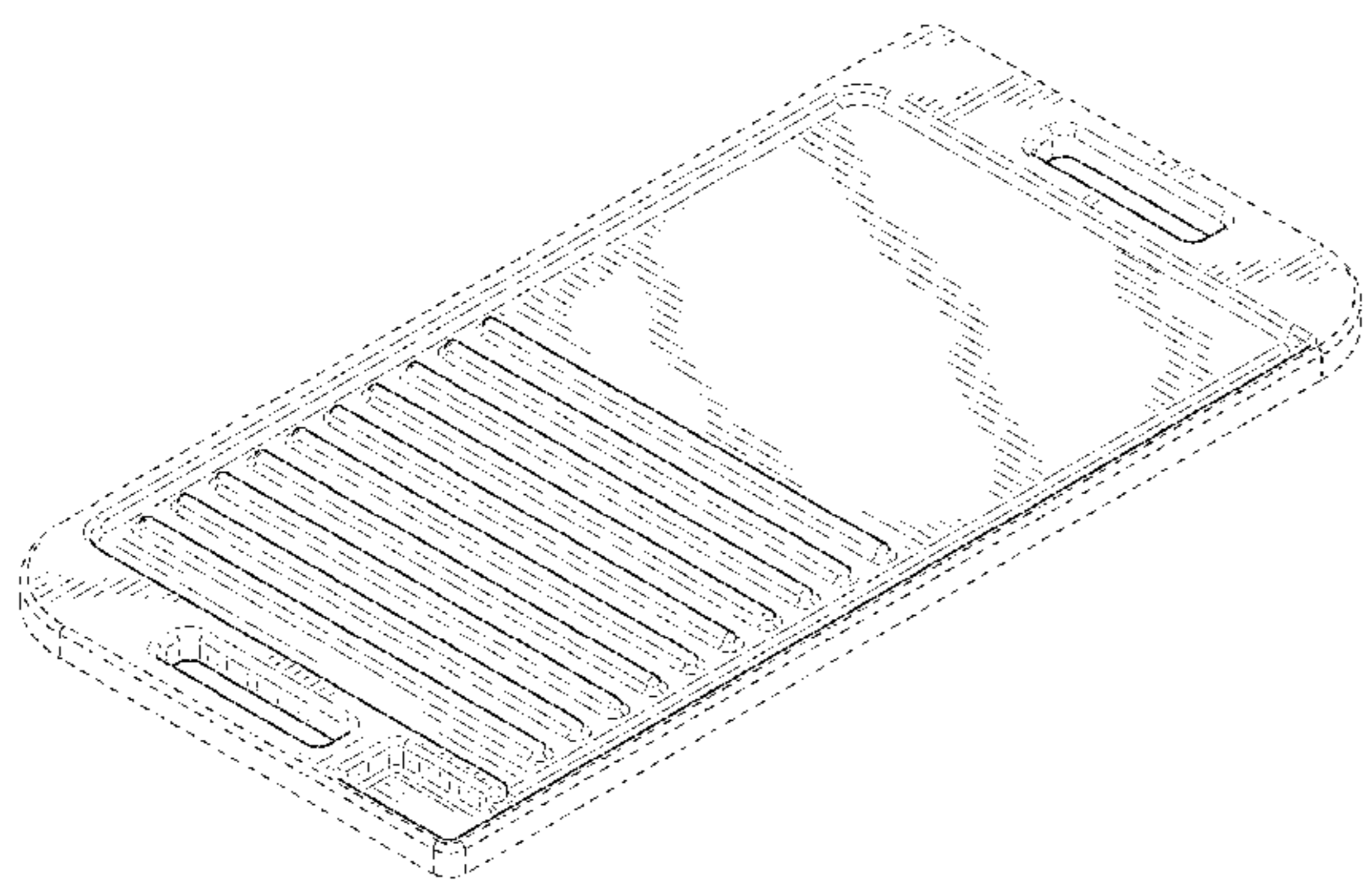
- D317,849 S * 7/1991 Adams D7/553.3
- 5,524,528 A * 6/1996 Yeh A47J 37/0709
219/459.1
- D380,342 S * 7/1997 Edmonds D7/363
- 5,839,361 A * 11/1998 Richter A47J 37/067
99/422
- 6,131,505 A * 10/2000 Lin A47J 37/041
403/386
- D441,250 S * 5/2001 Choi D7/362
- D588,399 S * 3/2009 Vrbanek D7/359
- D668,506 S * 10/2012 Zemel D7/409
- D678,010 S * 3/2013 Sudmalis D7/698
- D697,365 S * 1/2014 Kunz D7/352

* cited by examiner
Primary Examiner — Ricky Pham
(74) *Attorney, Agent, or Firm* — Law Office of Sam Sokhansanj PLLC

(57) **CLAIM**
The ornamental design for a reversible griddle, as shown and described.

DESCRIPTION
FIG. 1 illustrates a perspective top view of the reversible griddle.
FIG. 2 illustrates a perspective bottom view of the reversible griddle.
FIG. 3 illustrates a top view of the reversible griddle.
FIG. 4 illustrates a bottom view of the reversible griddle.
FIG. 5 illustrates a long side rear view of the reversible griddle.
FIG. 6 illustrates a long side front view of the reversible griddle.
FIG. 7 illustrates a short side left view of the reversible griddle; and,
FIG. 8 illustrates a short side right view of the reversible griddle.
The broken lines show portions of the reversible griddle which form no part of the claimed design.

1 Claim, 3 Drawing Sheets



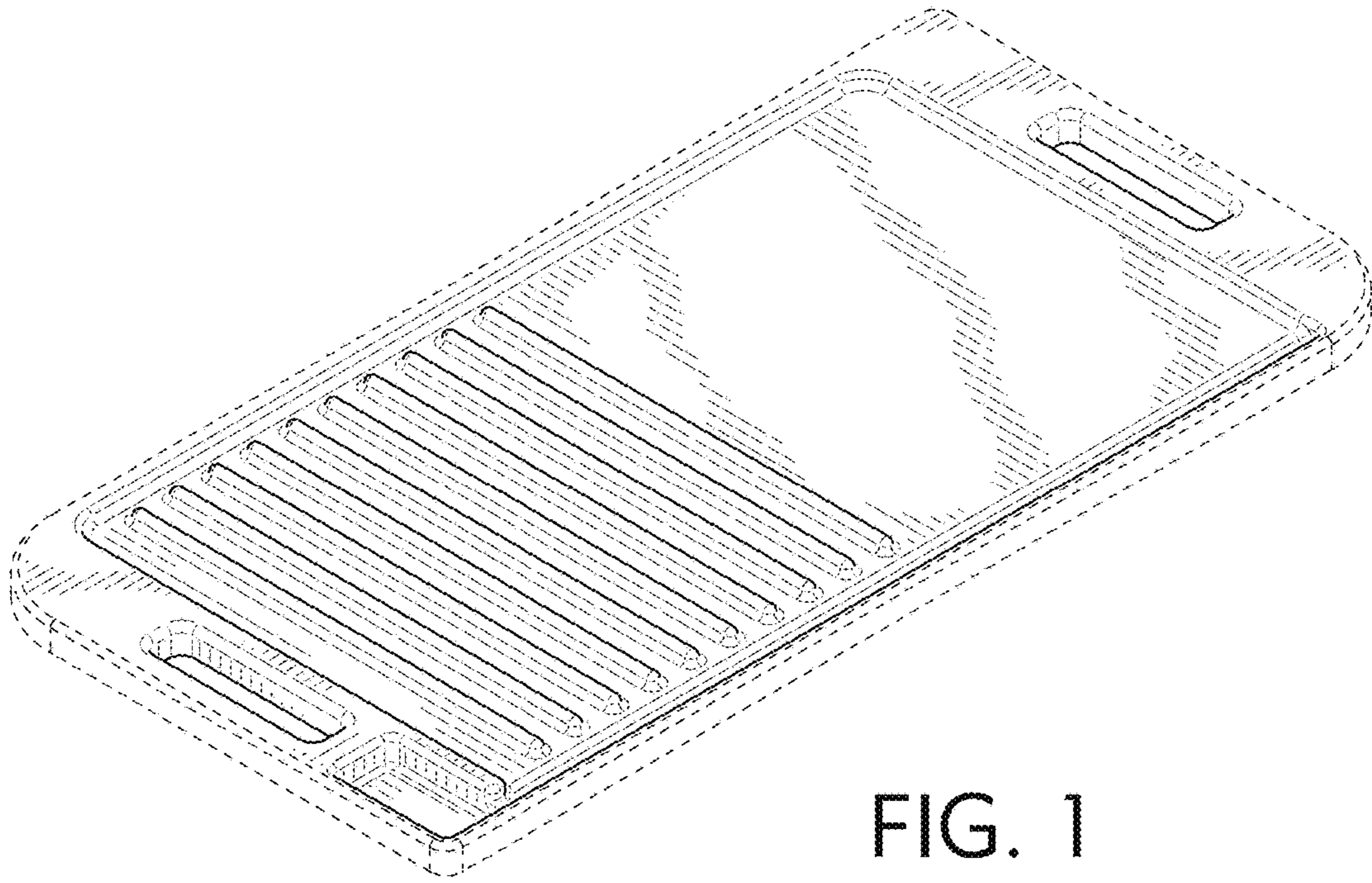


FIG. 1

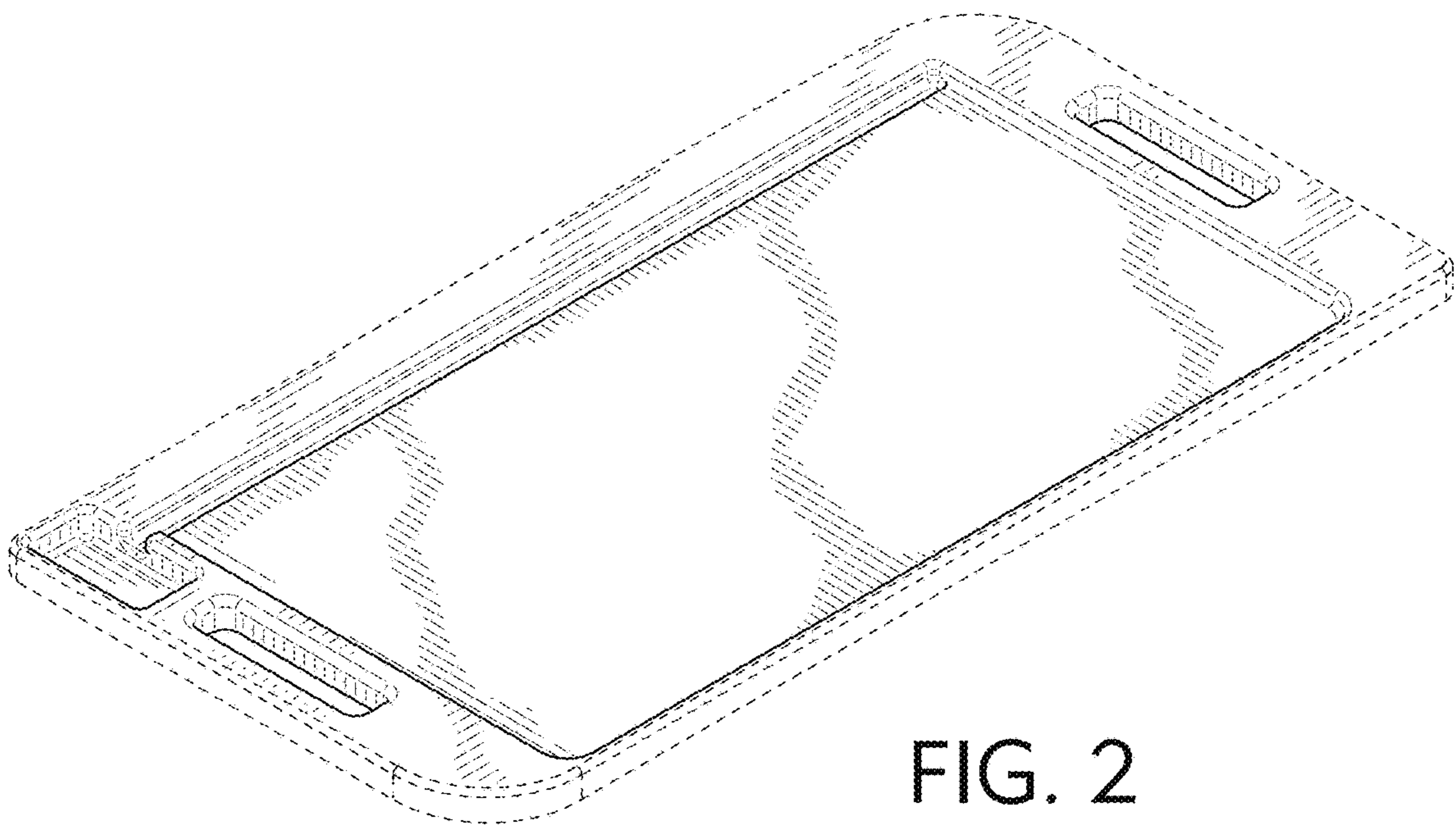


FIG. 2

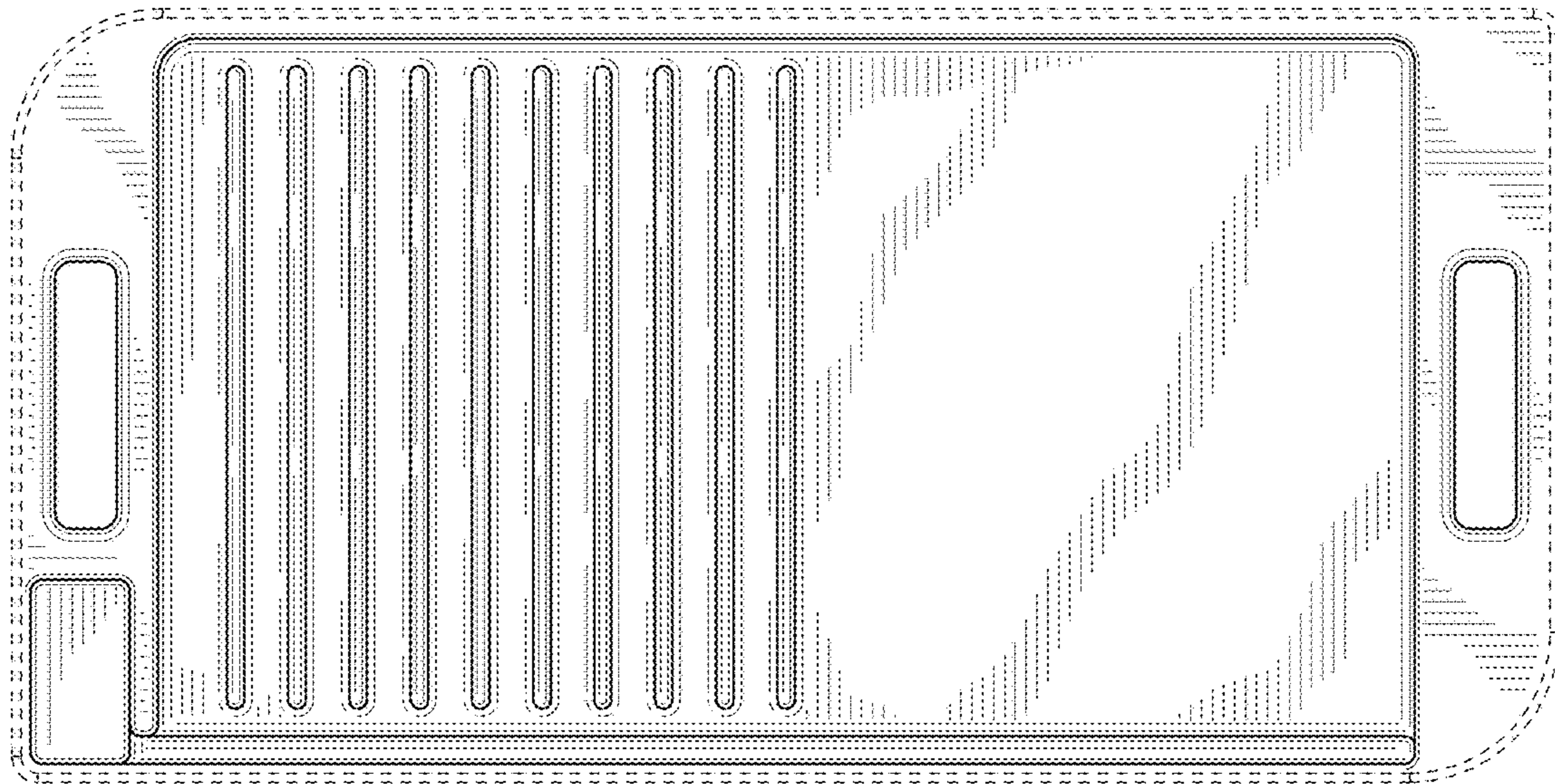


FIG. 3

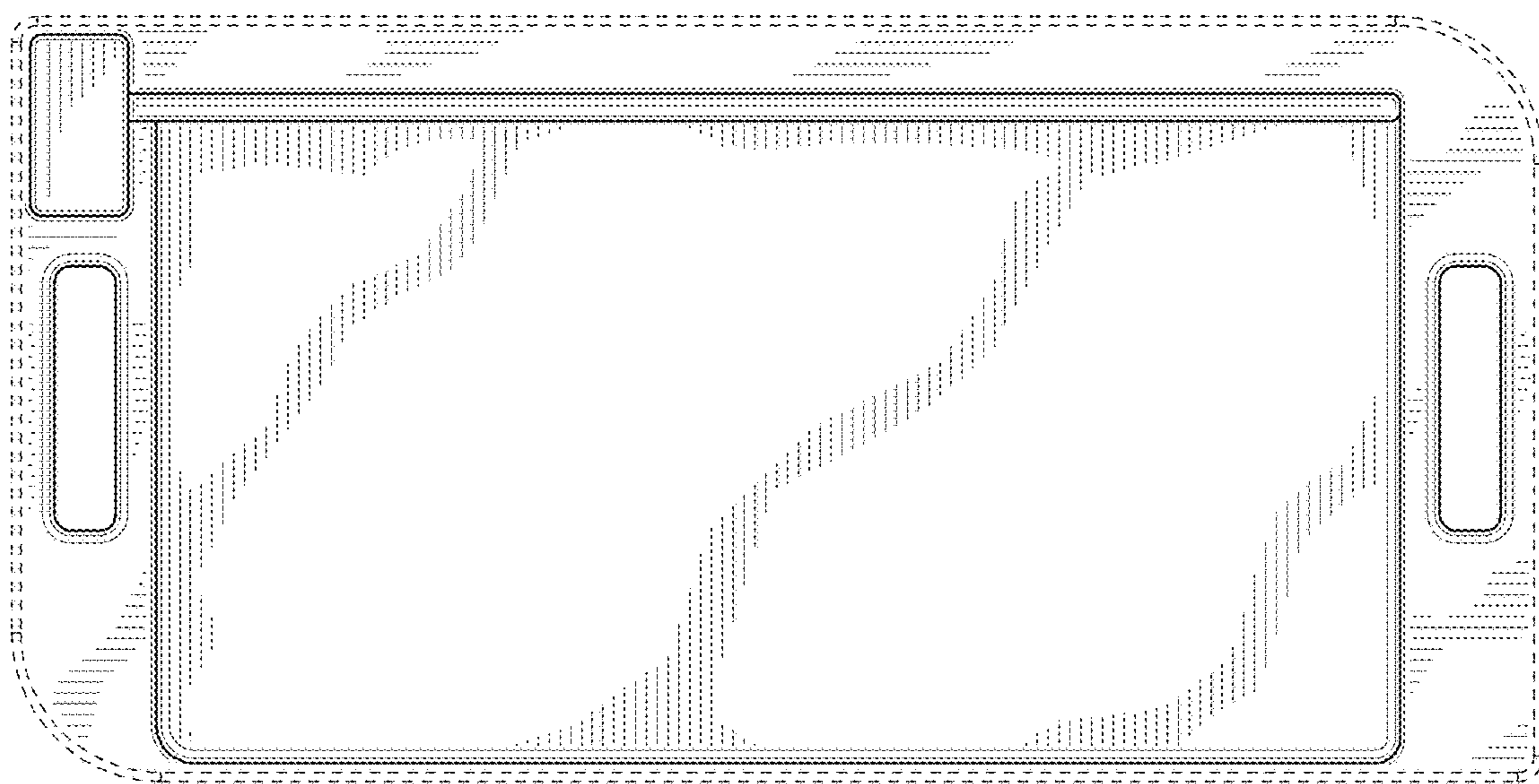


FIG. 4



FIG. 5

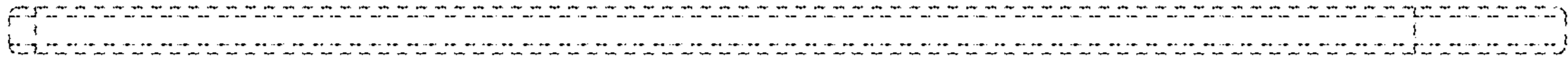


FIG. 6

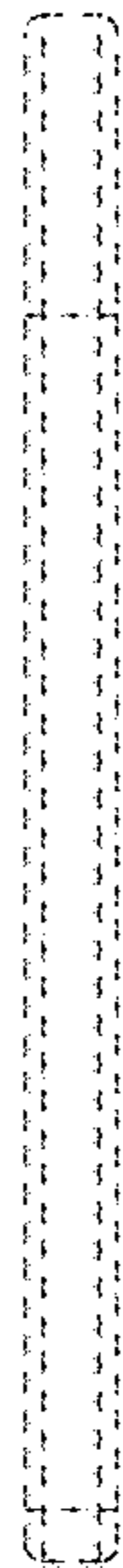


FIG. 7

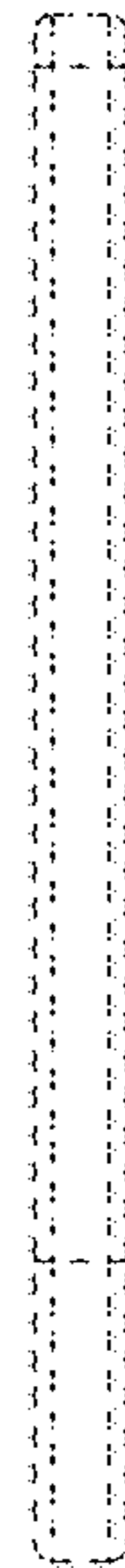


FIG. 8