

US00D829051S

(12) **United States Design Patent** (10) **Patent No.:** **US D829,051 S**  
**Kim et al.** (45) **Date of Patent:** **\*\* Sep. 25, 2018**

(54) **LOW TEMPERATURE VACUUM COOKER FOR GAS OVEN RANGE**

CPC ..... F24C 15/28; F28F 9/0131; H05B 3/72  
See application file for complete search history.

(71) Applicant: **LG ELECTRONICS INC.**, Seoul (KR)  
(72) Inventors: **Sooyeon Kim**, Seoul (KR); **Miyoung Kim**, Seoul (KR); **Songyi Han**, Seoul (KR); **Inhwan Ryu**, Seoul (KR); **Jinwon Kang**, Seoul (KR)

(56) **References Cited**

U.S. PATENT DOCUMENTS

5,046,477	A *	9/1991	Bennett	.....	F24C 3/085
					126/214 A
D467,768	S *	12/2002	Becker	.....	D7/407
D482,931	S *	12/2003	Staebler	.....	D7/407
D553,430	S *	10/2007	Williams	.....	D7/407
D564,838	S *	3/2008	Shin	.....	D7/408
D642,019	S *	7/2011	Jefferson	.....	D7/407
D642,418	S *	8/2011	Kim	.....	D7/340
D666,055	S *	8/2012	O'Neil	.....	D7/407
D678,723	S *	3/2013	Funnell, II	.....	D7/408
D722,820	S *	2/2015	Pionek	.....	D7/408
D790,274	S *	6/2017	Martin	.....	D7/407
D793,160	S *	8/2017	Cho	.....	D7/408
D796,900	S *	9/2017	Lowry	.....	D7/407
D812,415	S *	3/2018	Best	.....	D7/362
D817,688	S *	5/2018	Kim	.....	D7/340

(Continued)

(73) Assignee: **LG ELECTRONICS INC.**, Seoul (KR)

(\*\*) Term: **15 Years**

(21) Appl. No.: **35/503,311**

(22) Filed: **Jan. 4, 2017**

*Primary Examiner* — Darlington Ly

(80) **Hague Agreement Data**

Int. Filing Date: **Jan. 4, 2017**

Int. Reg. No.: **DM/094307**

Int. Reg. Date: **Jan. 4, 2017**

Int. Reg. Pub. Date: **Jul. 7, 2017**

(74) *Attorney, Agent, or Firm* — Birch, Stewart, Kolasch & Birch, LLP

(30) **Foreign Application Priority Data**

Jul. 19, 2016 (KR) ..... 30-2016-0035162

(51) **LOC (11) Cl.** ..... **07-02**

(52) **U.S. Cl.**  
USPC ..... **D7/407**

(58) **Field of Classification Search**  
USPC ..... D7/388, 402, 407; D13/179; D23/323,  
D23/324, 330, 335-339, 341, 354-355,  
D23/386, 499

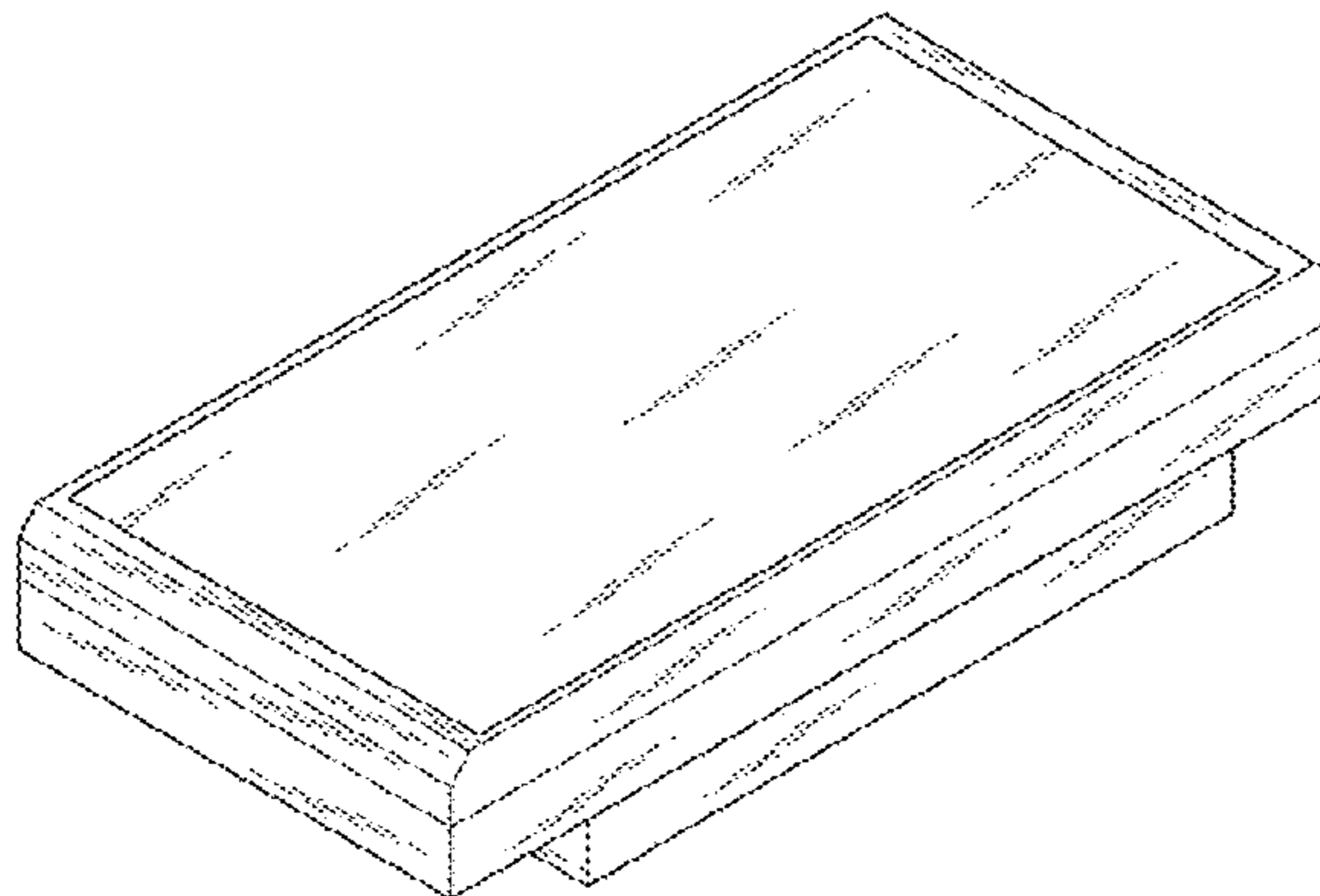
(57) **CLAIM**

The ornamental design for a low temperature vacuum cooker for gas oven range, as shown and described.

**DESCRIPTION**

1. Low temperature vacuum cooker for gas oven range
- 1.1 is a top, front, and left side perspective view of a low temperature vacuum cooker for gas oven range showing our new design;
- 1.2 is a front elevation view thereof;
- 1.3 is a rear elevation view thereof;
- 1.4 is a left side elevation view thereof;
- 1.5 is a right side elevation view thereof;
- 1.6 is a top plan view thereof;
- 1.7 is a bottom plan view thereof; and
- 1.8 is a top, front, and left side perspective view thereof as installed in an exemplary gas oven range.

(Continued)



The broken line showing of the gas oven range is provided for the purpose of illustrating environmental structure and forms no part of the claimed design.

**1 Claim, 8 Drawing Sheets**

(56)

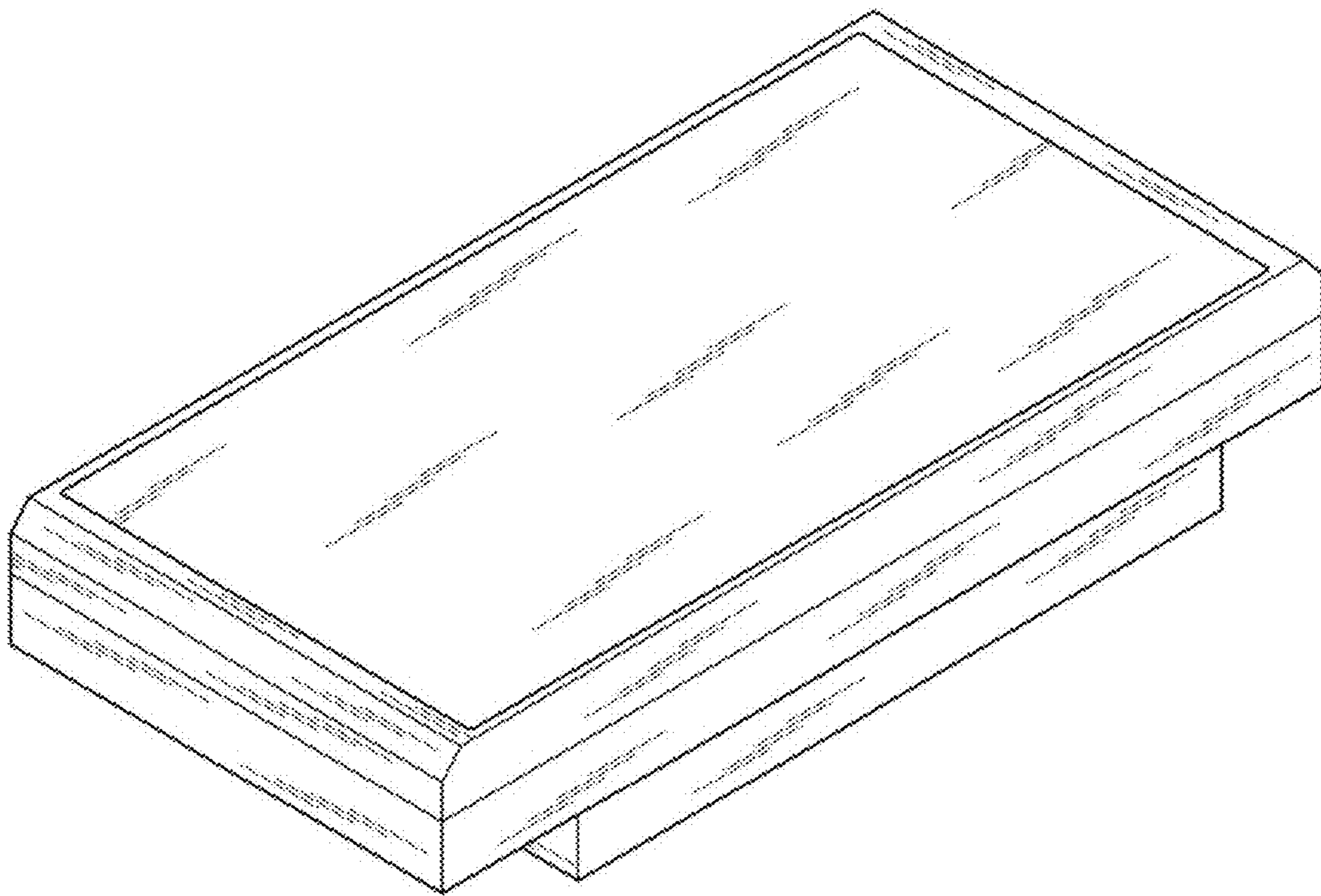
**References Cited**

U.S. PATENT DOCUMENTS

D817,690 S	*	5/2018	Kim	.....	D7/346
D817,710 S	*	5/2018	Kim	.....	D7/409
D817,711 S	*	5/2018	Kim	.....	D7/409
D818,303 S	*	5/2018	Kim	.....	D7/340

\* cited by examiner

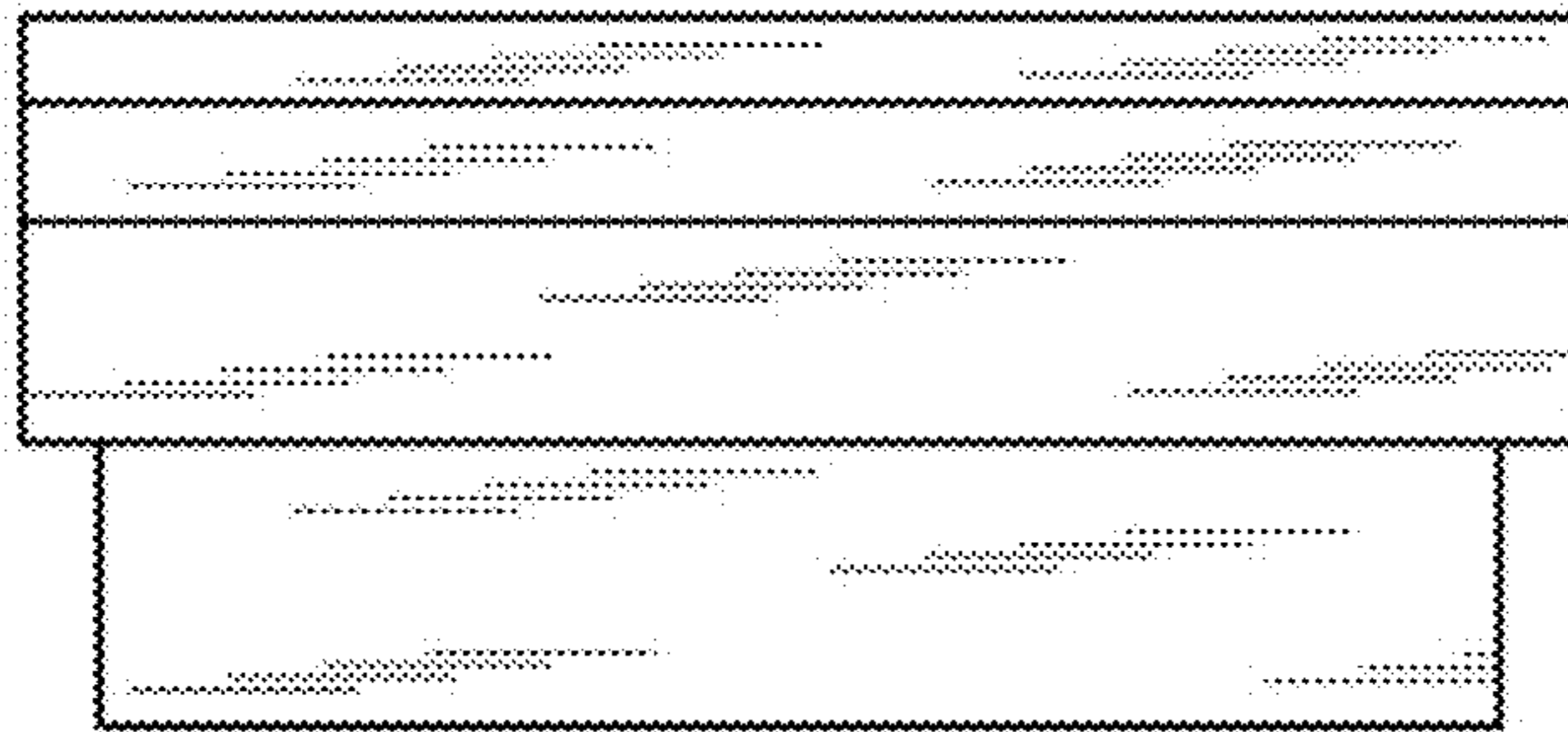
1.1



1.2



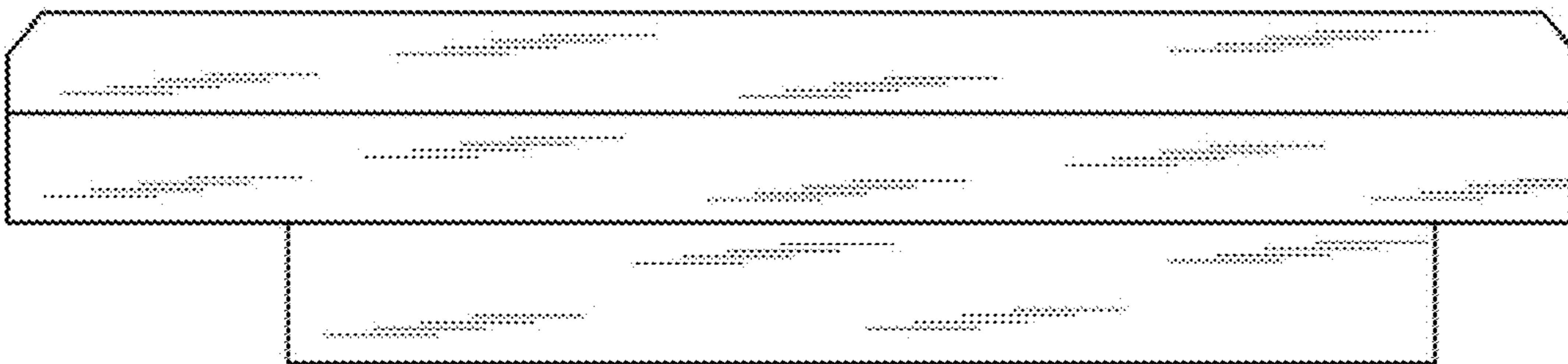
**1.3**



1.4

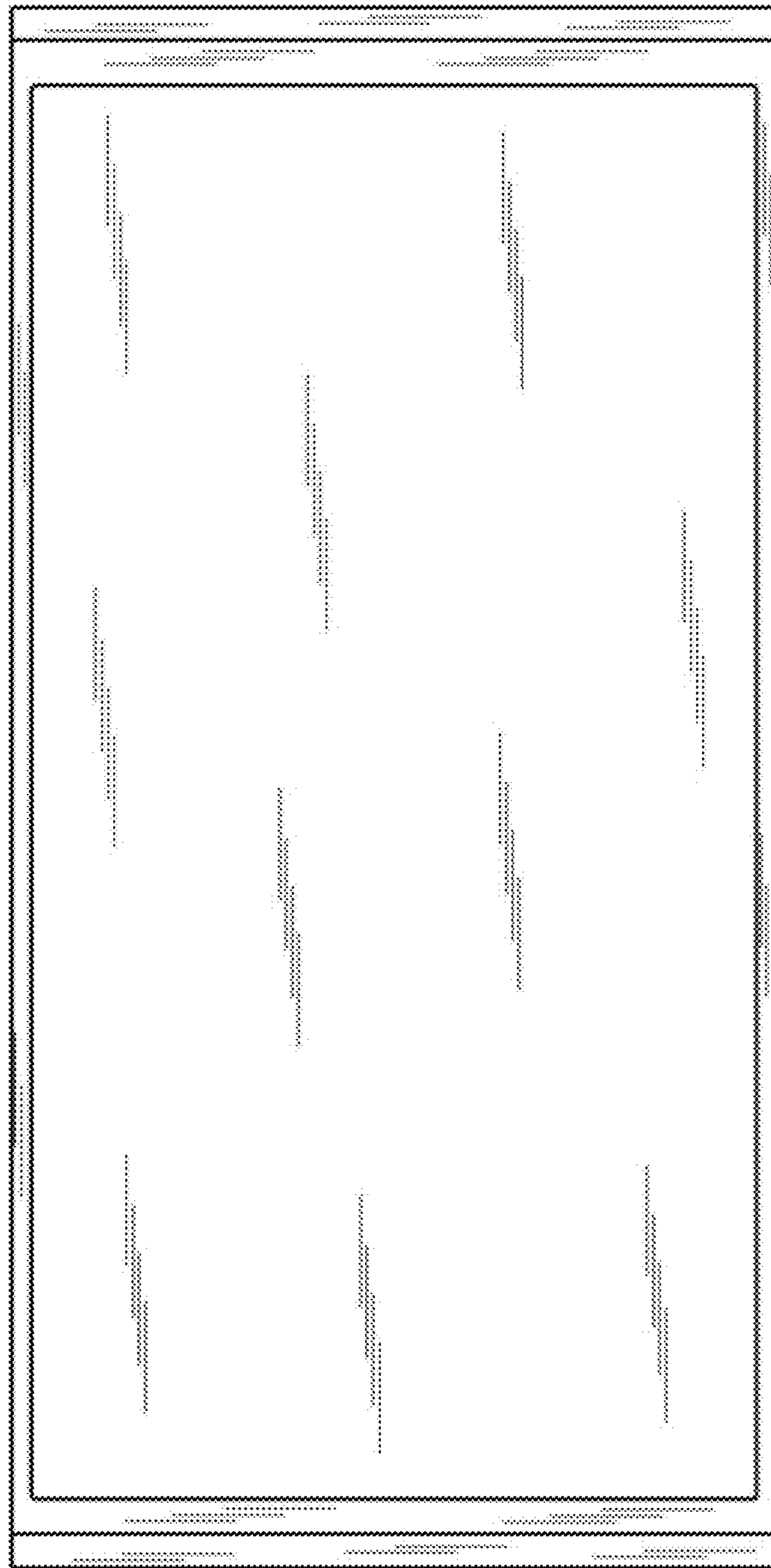


1.5



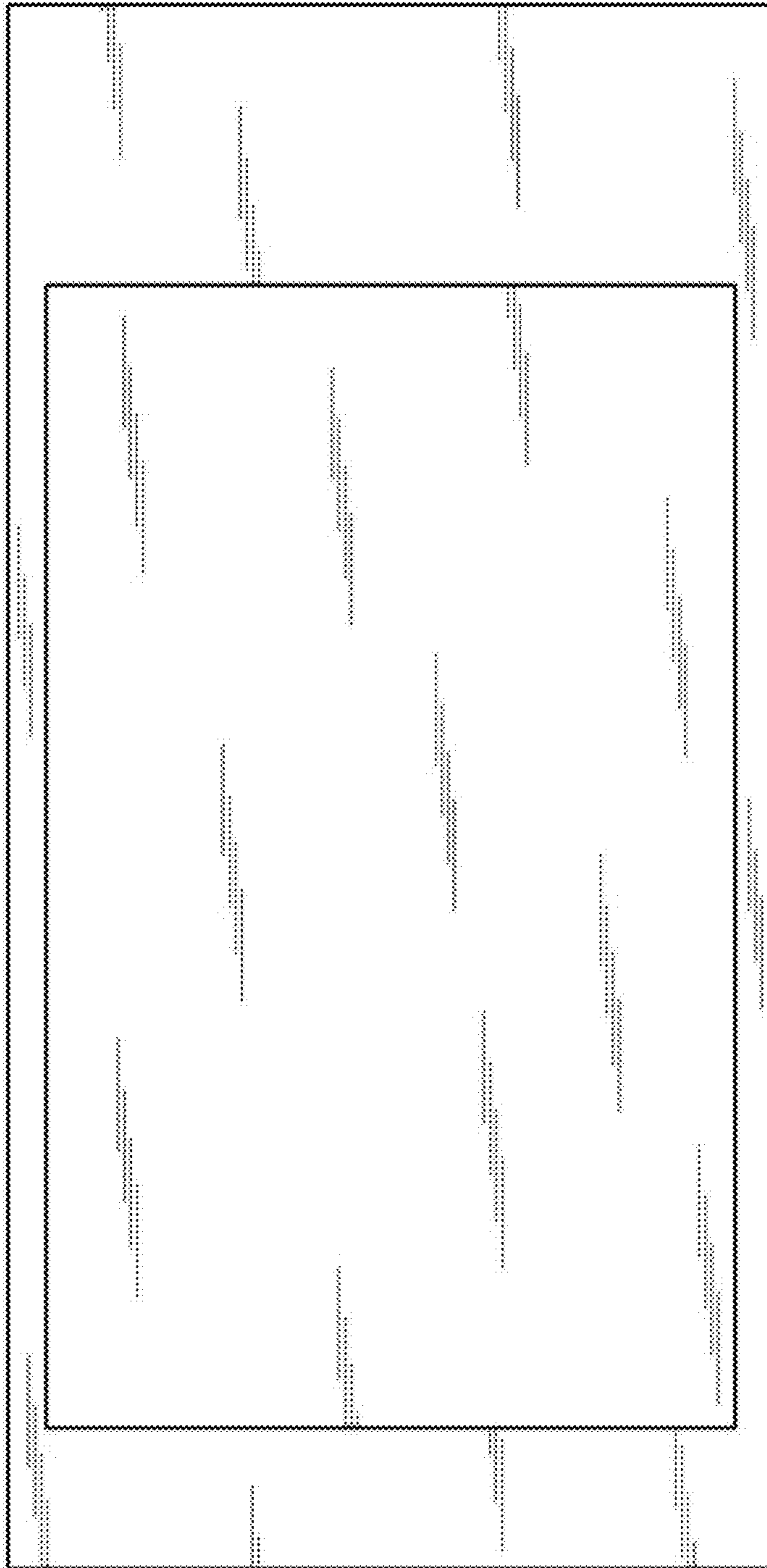


1.6





1.7



1.8

