



US00D829050S

(12) **United States Design Patent**
Measom et al.

(10) **Patent No.:** **US D829,050 S**

(45) **Date of Patent:** **** *Sep. 25, 2018**

- (54) **GAS STOVE**
- (71) Applicant: **Logan Outdoor Products, LLC**, Hyde Park, UT (US)
- (72) Inventors: **Ty Measom**, Logan, UT (US); **Brett Bennett**, Mantua, UT (US)
- (73) Assignee: **Logan Outdoor Products, LLC**, Hyde Park, UT (US)

6,539,843 B2 * 4/2003 Andress A47J 37/0718
126/25 R

D517,365 S * 3/2006 Huang D7/332
D579,260 S * 10/2008 Zischke D7/332
D638,654 S * 5/2011 Plott D7/332
D681,389 S * 5/2013 Goecke D7/334
D708,001 S * 7/2014 Measom D7/332
D709,315 S * 7/2014 Witzel D7/332
D780,502 S * 3/2017 Gloger D7/334
D789,145 S * 6/2017 Blichmann D7/407

* cited by examiner

(*) Notice: This patent is subject to a terminal disclaimer.

(**) Term: **15 Years**

(21) Appl. No.: **29/583,258**

(22) Filed: **Nov. 3, 2016**

(51) **LOC (11) Cl.** **07-02**

(52) **U.S. Cl.**
USPC **D7/403**

(58) **Field of Classification Search**
USPC D7/402-409, 332-337, 323, 338, 339,
D7/350.1; D16/244, 245
CPC A47J 37/07; A47J 37/0704; A47J 37/0763
See application file for complete search history.

(56) **References Cited**

U.S. PATENT DOCUMENTS

4,598,690 A * 7/1986 Hsu F24C 1/16
126/25 R

D462,562 S * 9/2002 Wood D7/332
D465,383 S * 11/2002 Mosher D7/402

Primary Examiner — Sheryl Lane
Assistant Examiner — Nicole C Shiflet
(74) *Attorney, Agent, or Firm* — Preston P. Frischknecht;
Project CIP

(57) **CLAIM**

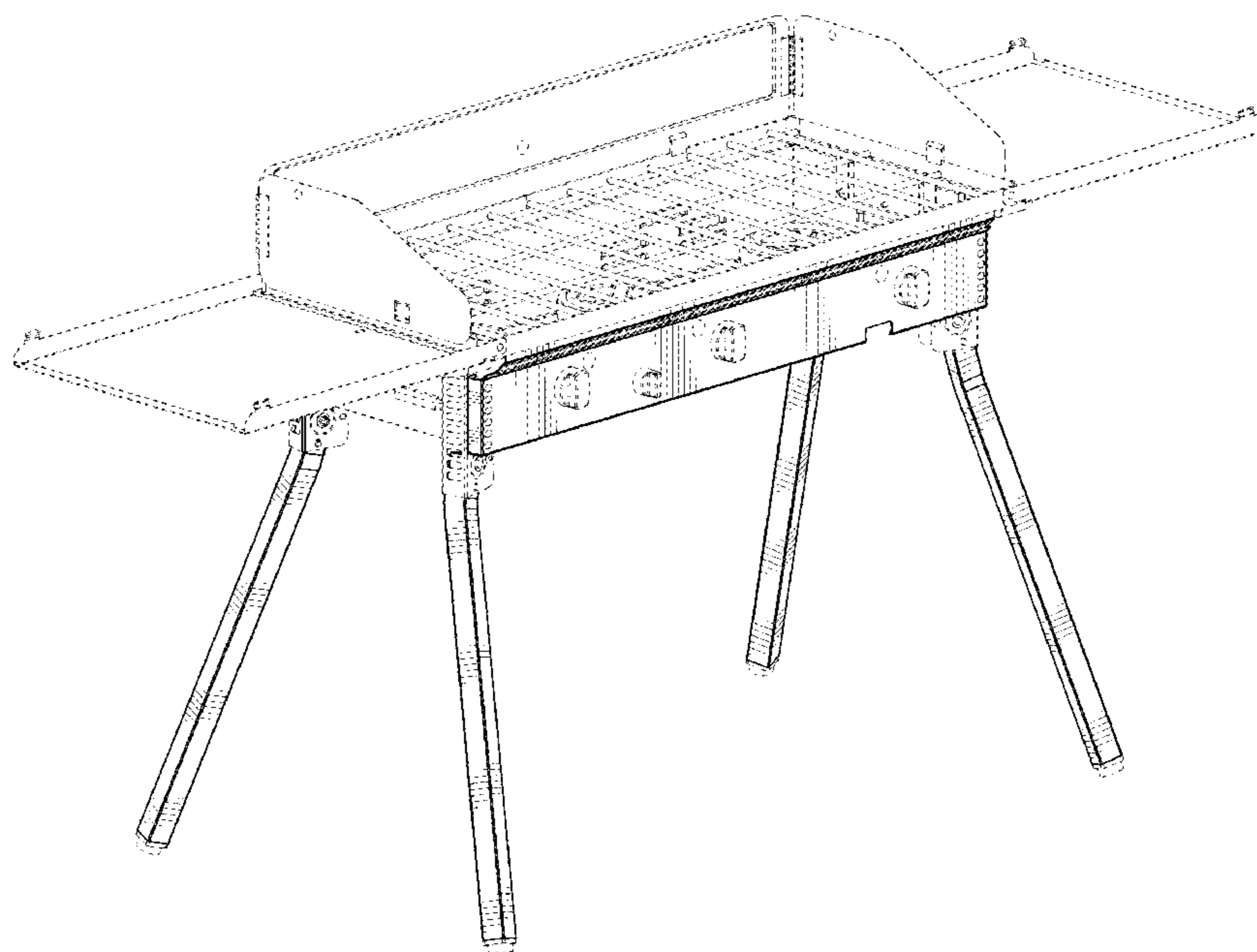
The ornamental design for a gas stove, as shown and described.

DESCRIPTION

FIG. 1 is an isometric view;
FIG. 2 is a front view;
FIG. 3 is a back view;
FIG. 4 is a right side view;
FIG. 5 is a left side view;
FIG. 6 is a top view;
FIG. 7 is a bottom view; and,
FIG. 8 is an alternate isometric view showing the legs folded into the stove.

The broken lines showing portions of the article form no part of the claimed design.

1 Claim, 8 Drawing Sheets



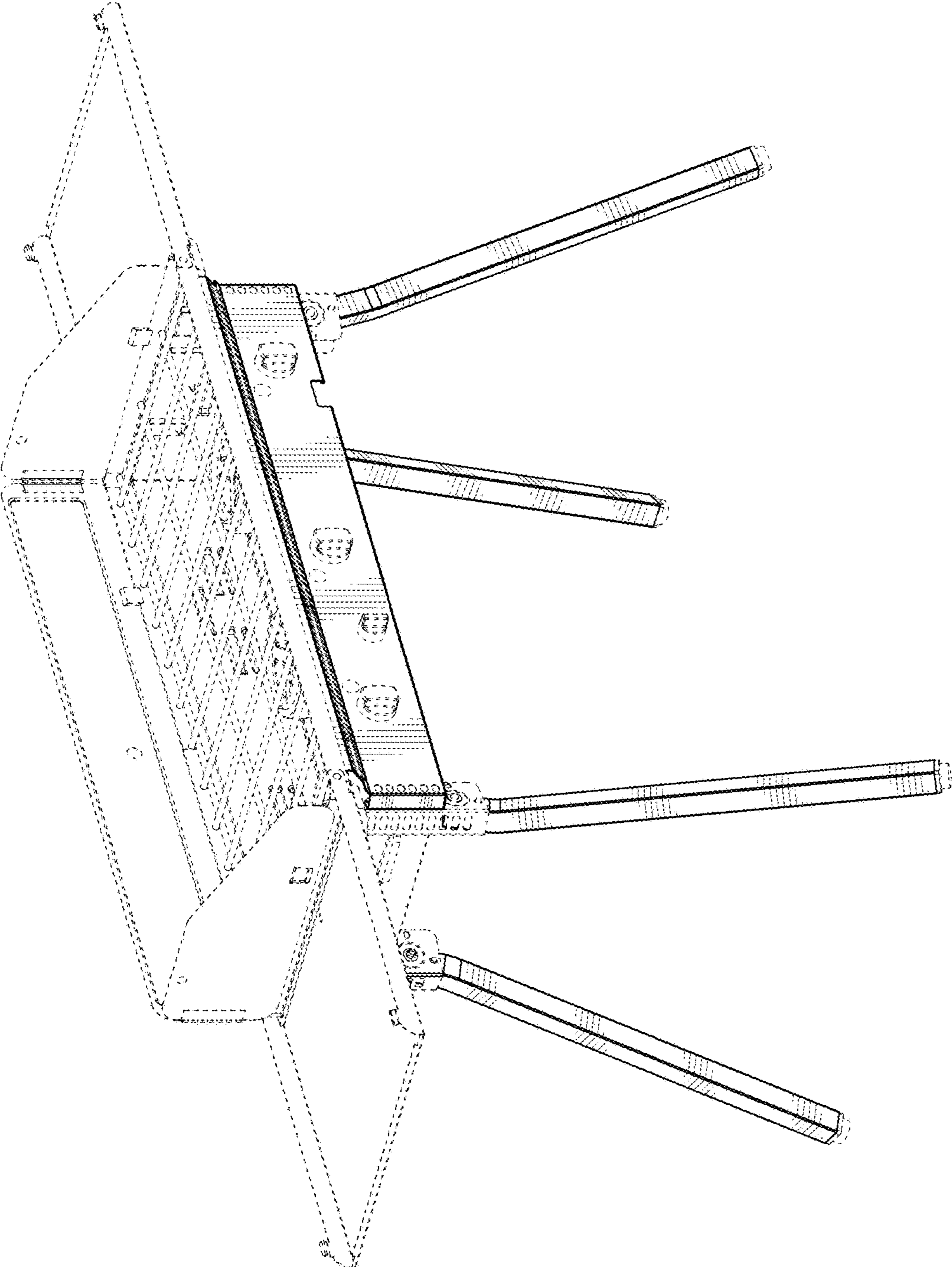


FIG. 1

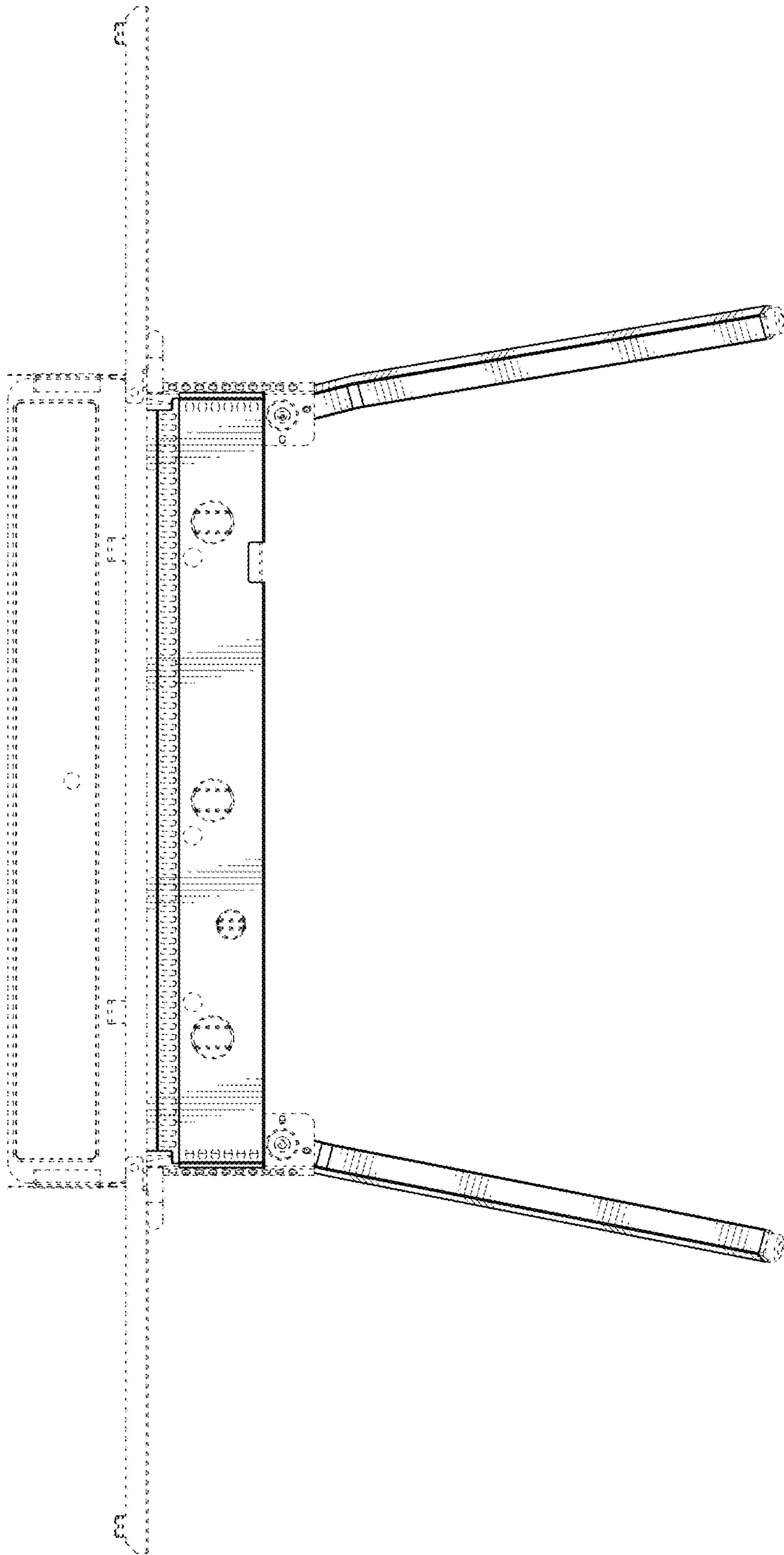


FIG. 2

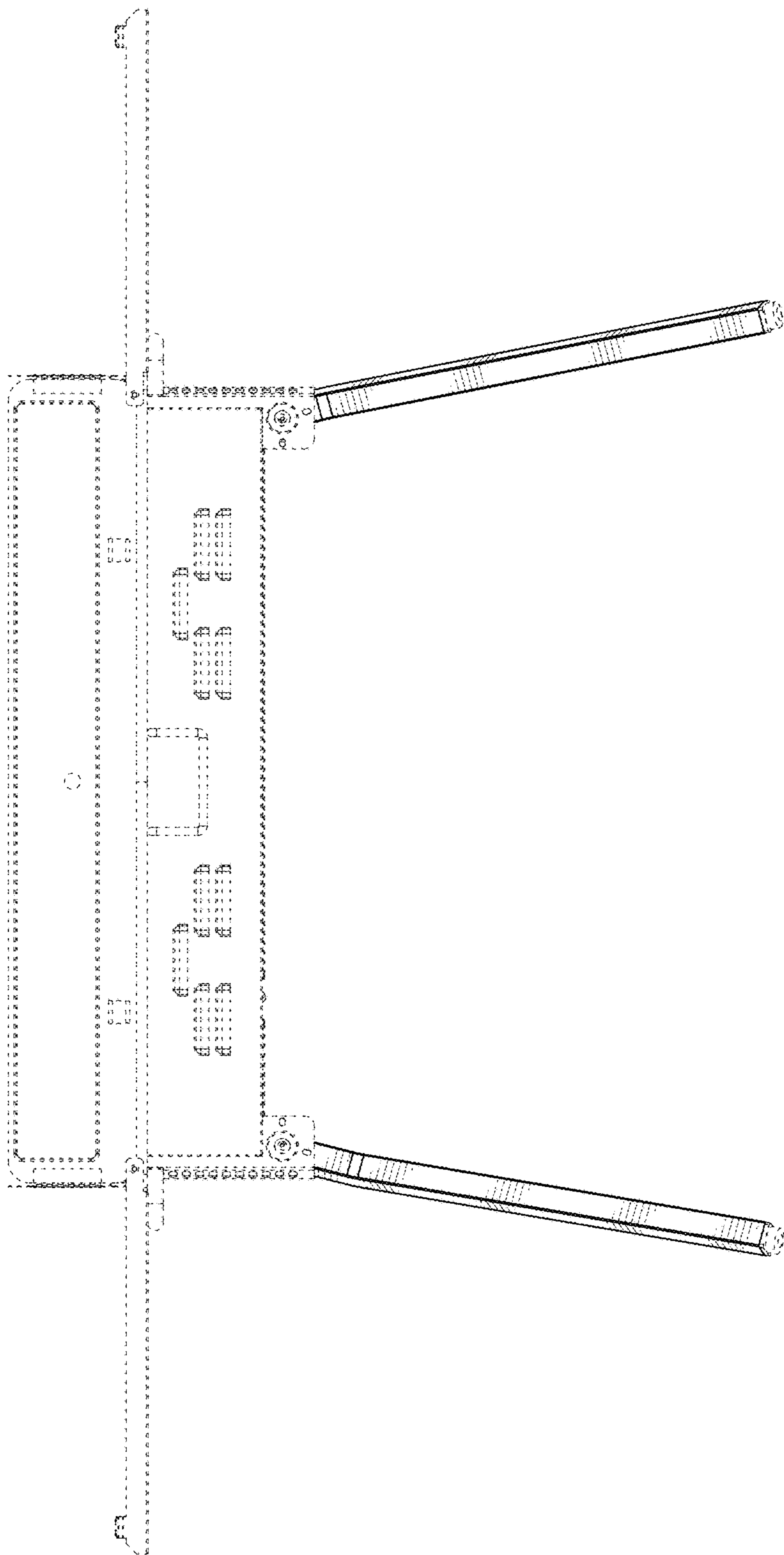


FIG. 3

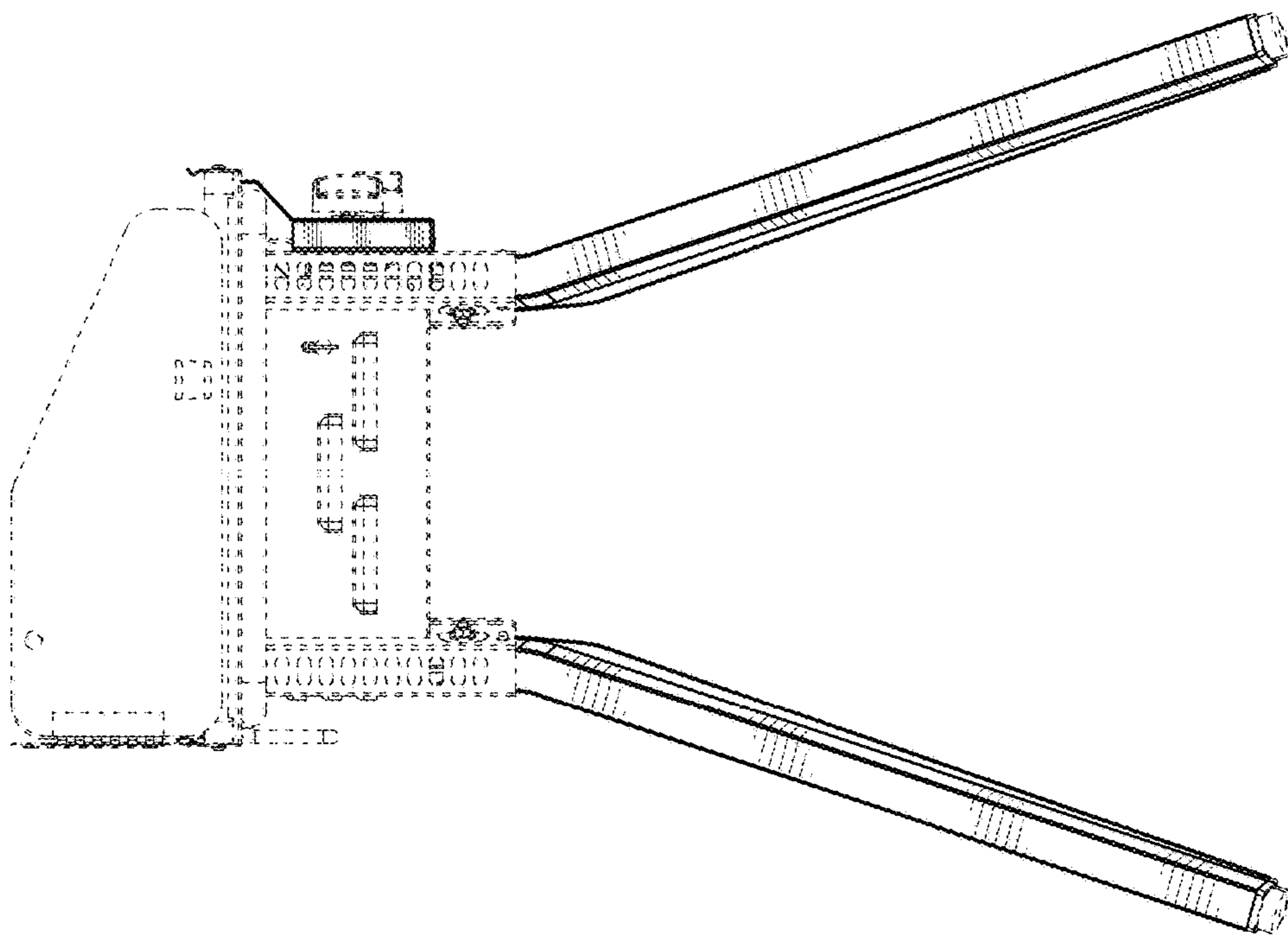


FIG. 4

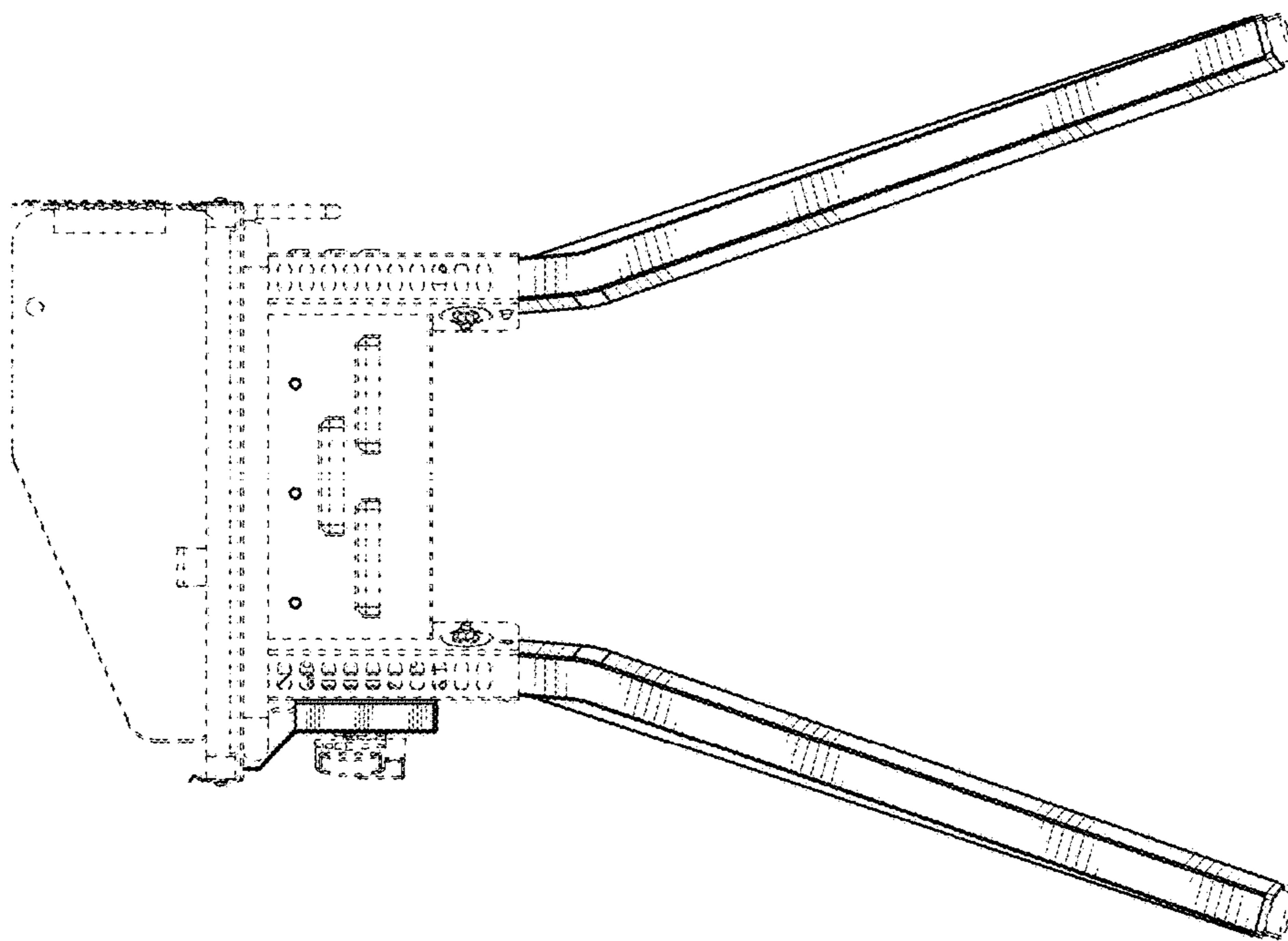


FIG. 5

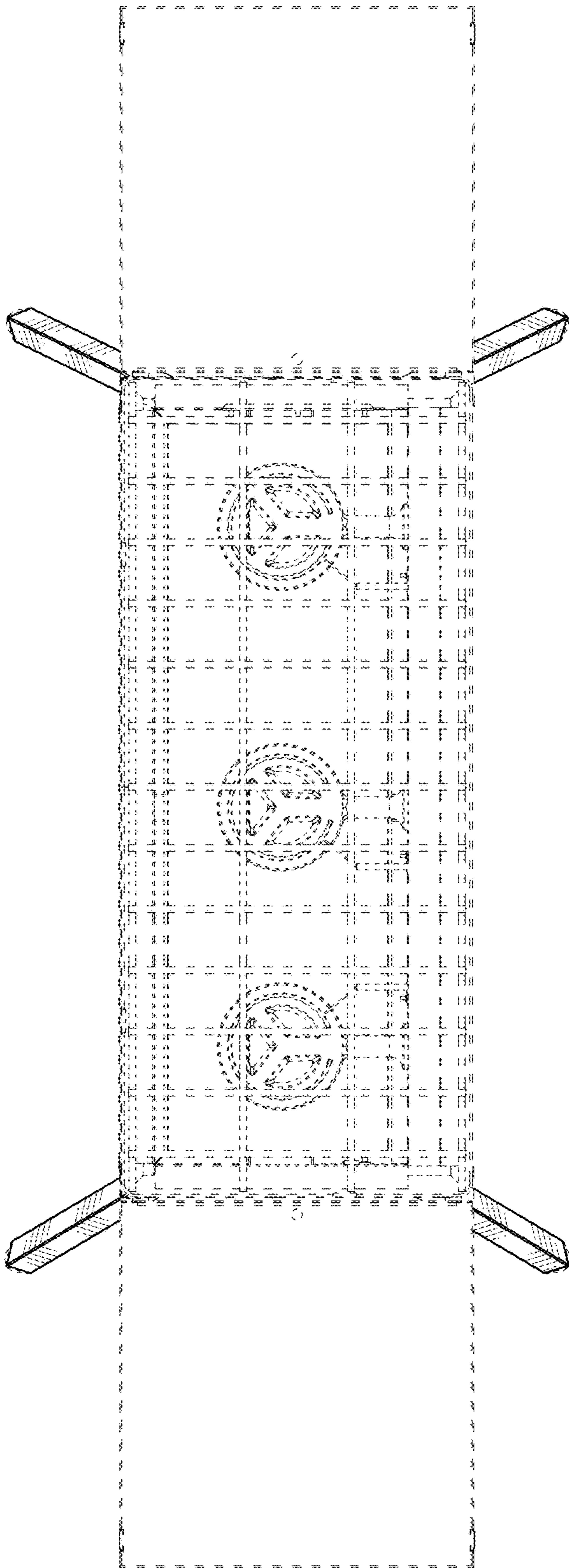


FIG. 6

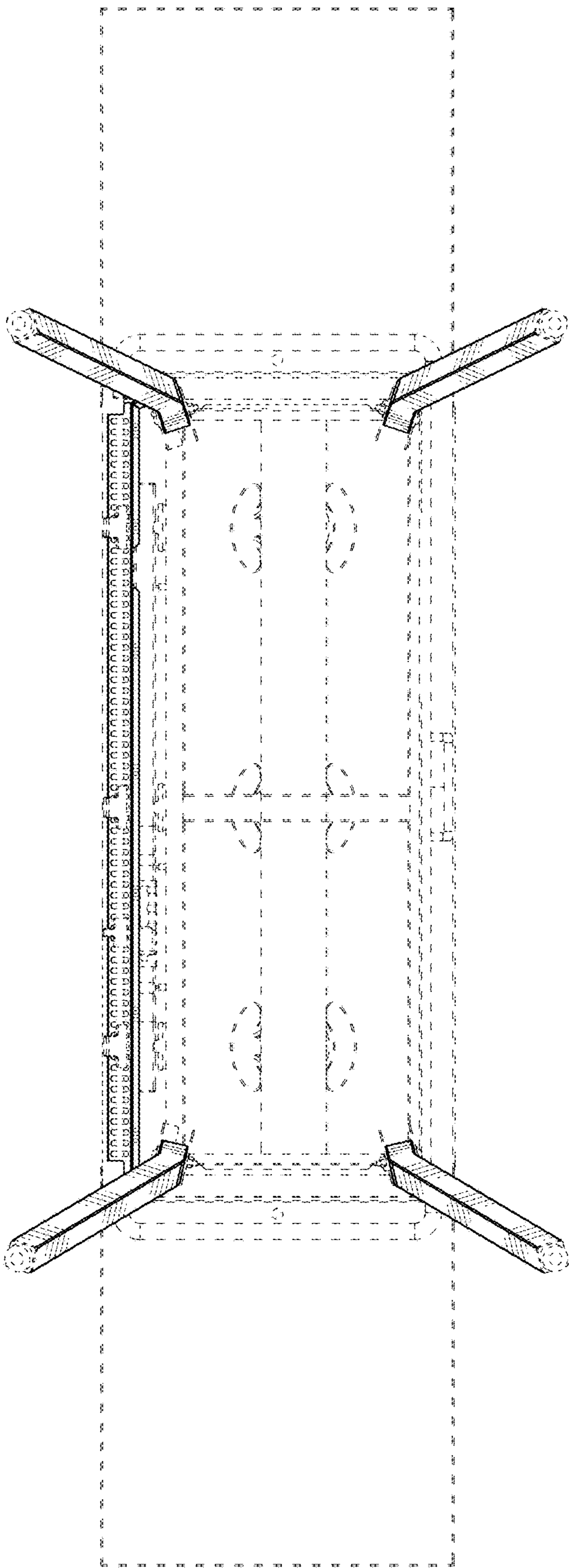


FIG. 7

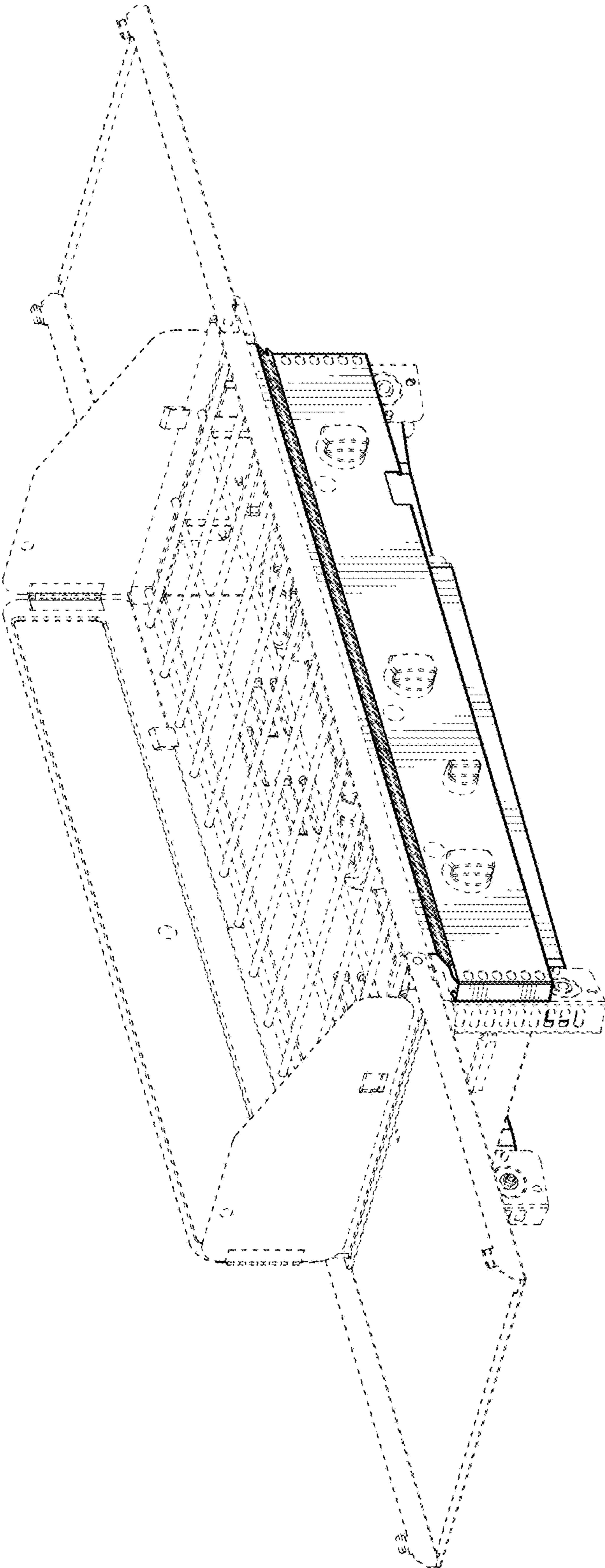


FIG. 8