



US00D829048S

(12) **United States Design Patent** (10) **Patent No.:** **US D829,048 S**  
**Rodal** (45) **Date of Patent:** **\*\* Sep. 25, 2018**

(54) **FINGER GUARD**

(71) Applicant: **Eliezer Rodal**, Paradise Valley, AZ  
(US)

(72) Inventor: **Eliezer Rodal**, Paradise Valley, AZ  
(US)

(\*\*) Term: **15 Years**

(21) Appl. No.: **29/571,774**

(22) Filed: **Jul. 21, 2016**

(51) **LOC (11) Cl.** ..... **07-03**

(52) **U.S. Cl.**  
USPC ..... **D7/401.2; D7/649**

(58) **Field of Classification Search**  
USPC ..... D4/135, 138; D7/393-395, 401.2,  
D7/642-652, 693, 695-696; D8/93,  
D8/97-100, 107, 300, 321;  
D22/117-118; D29/114; D32/50  
CPC ..... A01B 1/20; A01B 1/22; A22C 25/006;  
A41D 13/087; A47G 21/06; A47G  
21/065; A61B 17/3211; A61B 17/3213;  
B21D 53/64; B25G 3/36; B26B 1/00;  
B26B 1/08; B26B 1/10; B26B 3/00;  
B26B 3/02; B26B 3/03; B26B 3/04;  
B26B 3/06; B26B 5/00; B26B 5/001;  
B26B 5/007; B26B 7/00; B26B 7/005;  
B26B 9/00; B26B 9/02; B26B 11/00;  
B26B 11/006; B26B 29/02; B26B 17/00;  
B26B 17/006  
See application file for complete search history.

(56) **References Cited**

**U.S. PATENT DOCUMENTS**

2,129,496 A \* 9/1938 Hollingsworth ..... A41D 13/087  
2/21  
D112,752 S 12/1938 Douglas

D168,689 S \* 1/1953 Jones ..... D29/114  
D170,260 S \* 8/1953 Jones ..... D29/114  
D424,399 S \* 5/2000 Staton ..... D8/107  
D463,670 S \* 10/2002 Schmidt ..... D4/135  
D463,917 S \* 10/2002 Woodnorth ..... D4/135  
D465,657 S \* 11/2002 Woodnorth ..... D4/135  
D491,729 S \* 6/2004 Woodnorth ..... D4/138  
D520,297 S \* 5/2006 Salazar ..... D7/401.2  
D551,498 S \* 9/2007 Schmidt ..... D7/395  
D581,766 S \* 12/2008 Heneen ..... D8/107  
D667,189 S \* 9/2012 Berti ..... D32/50  
D733,362 S \* 6/2015 Weimar ..... D29/114

\* cited by examiner

*Primary Examiner* — Ricky Pham

(74) *Attorney, Agent, or Firm* — Evan Schechter

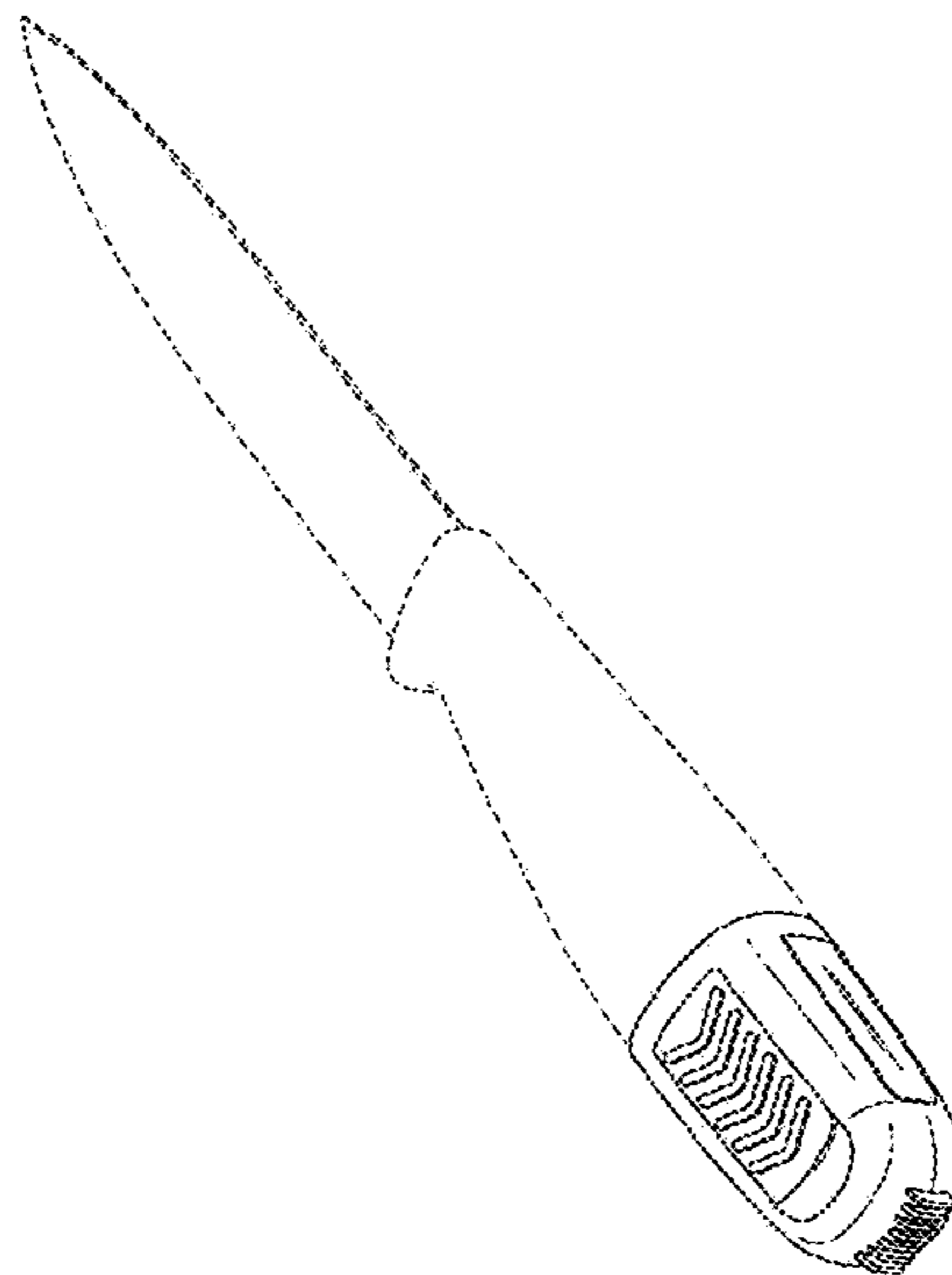
(57) **CLAIM**

The ornamental design for a finger guard, as shown and described.

**DESCRIPTION**

FIG. 1 is a rear perspective view of a finger guard, according to an embodiment of the invention.  
FIG. 2 is an enlarged front view the finger guard.  
FIG. 3 is an enlarged rear view of the finger guard.  
FIG. 4 is an enlarged left-side view of the finger guard.  
FIG. 5 is an enlarged right-side view of the finger guard.  
FIG. 6 is an enlarged top plan view of the finger guard; and,  
FIG. 7 is an enlarged bottom plan view of the finger guard.  
The broken lines shown in the drawings are for illustrative purposes only and form no part of the claimed design.

**1 Claim, 3 Drawing Sheets**



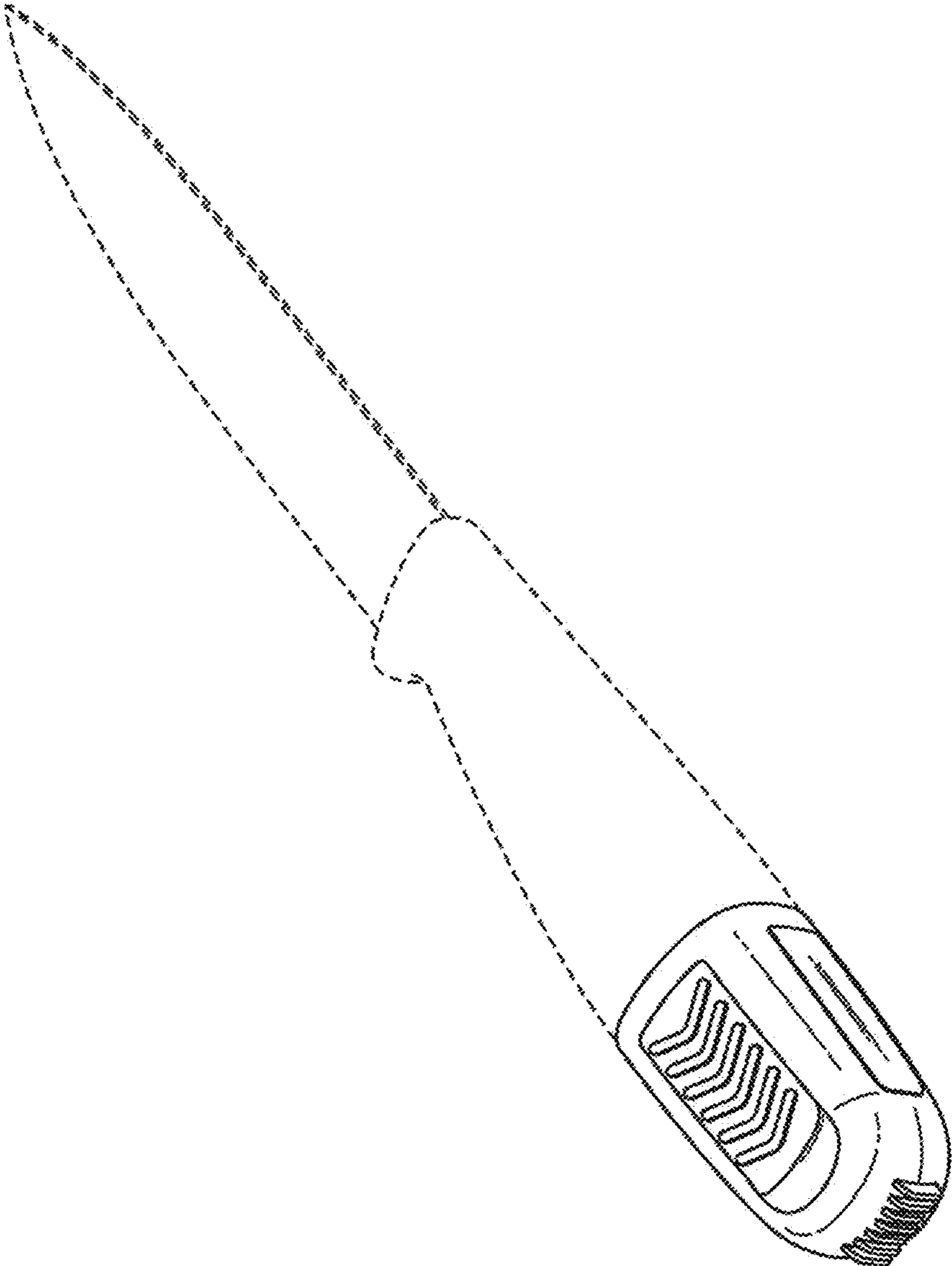


FIG. 1

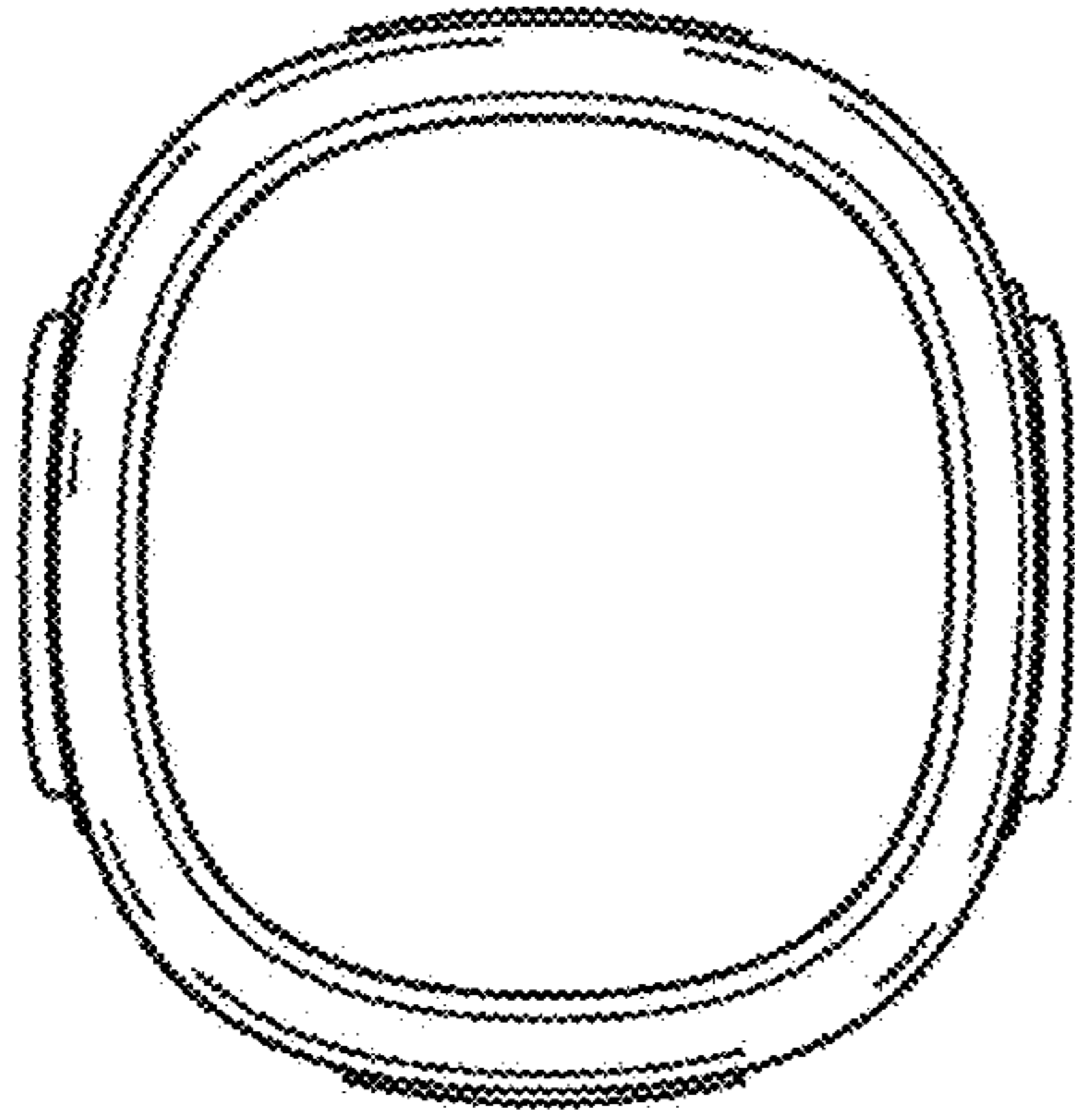


FIG. 2

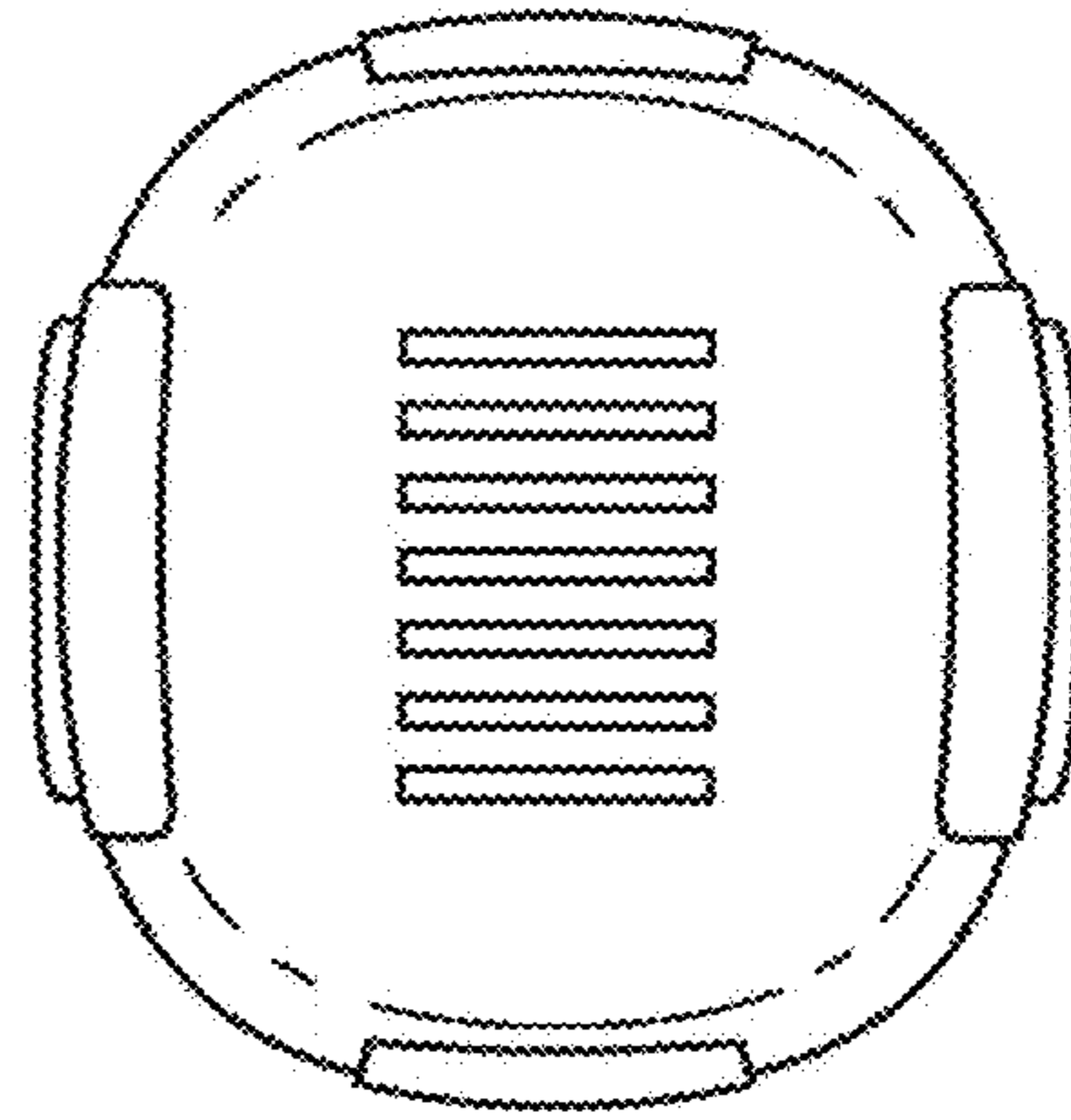


FIG. 3

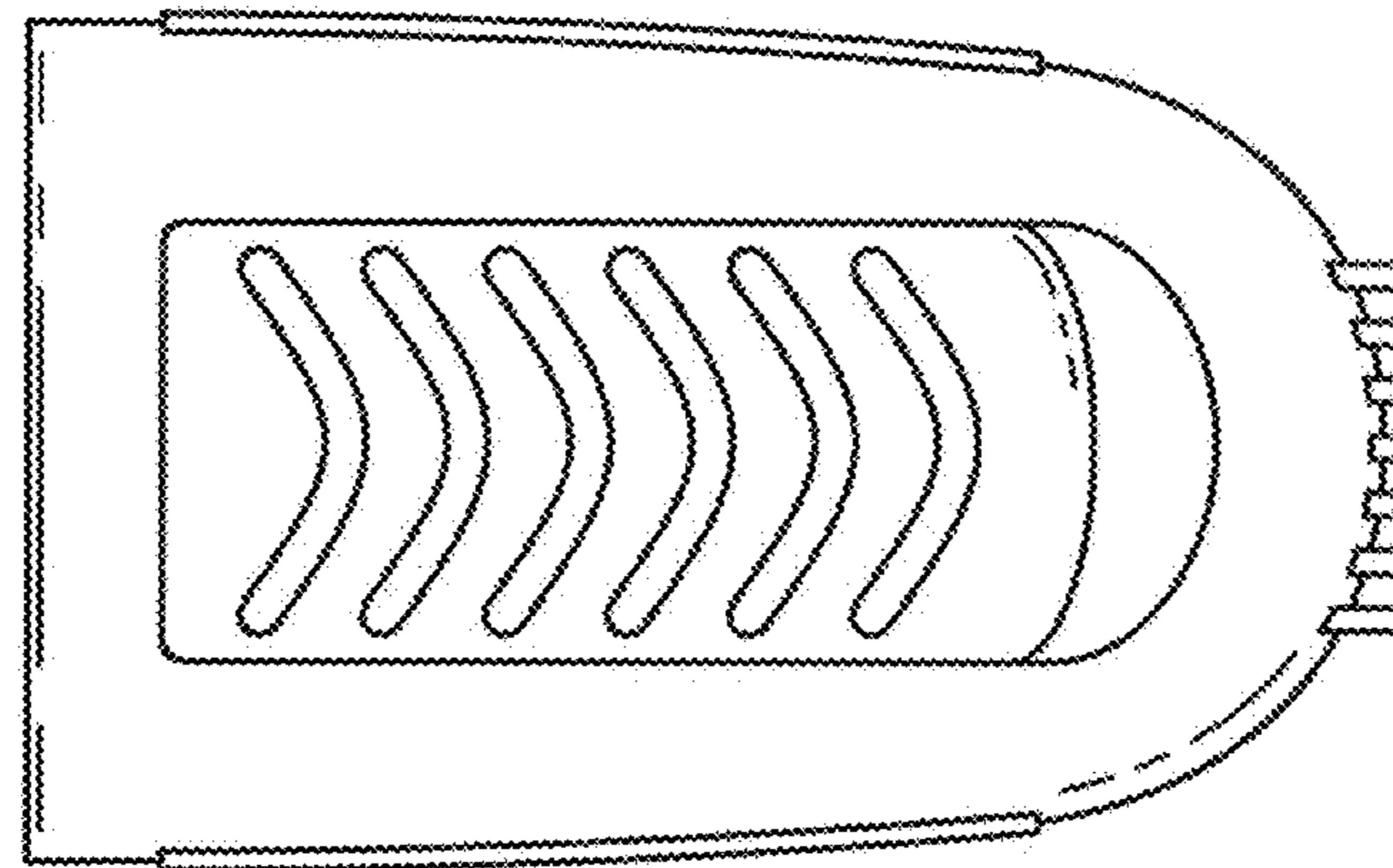


FIG. 4

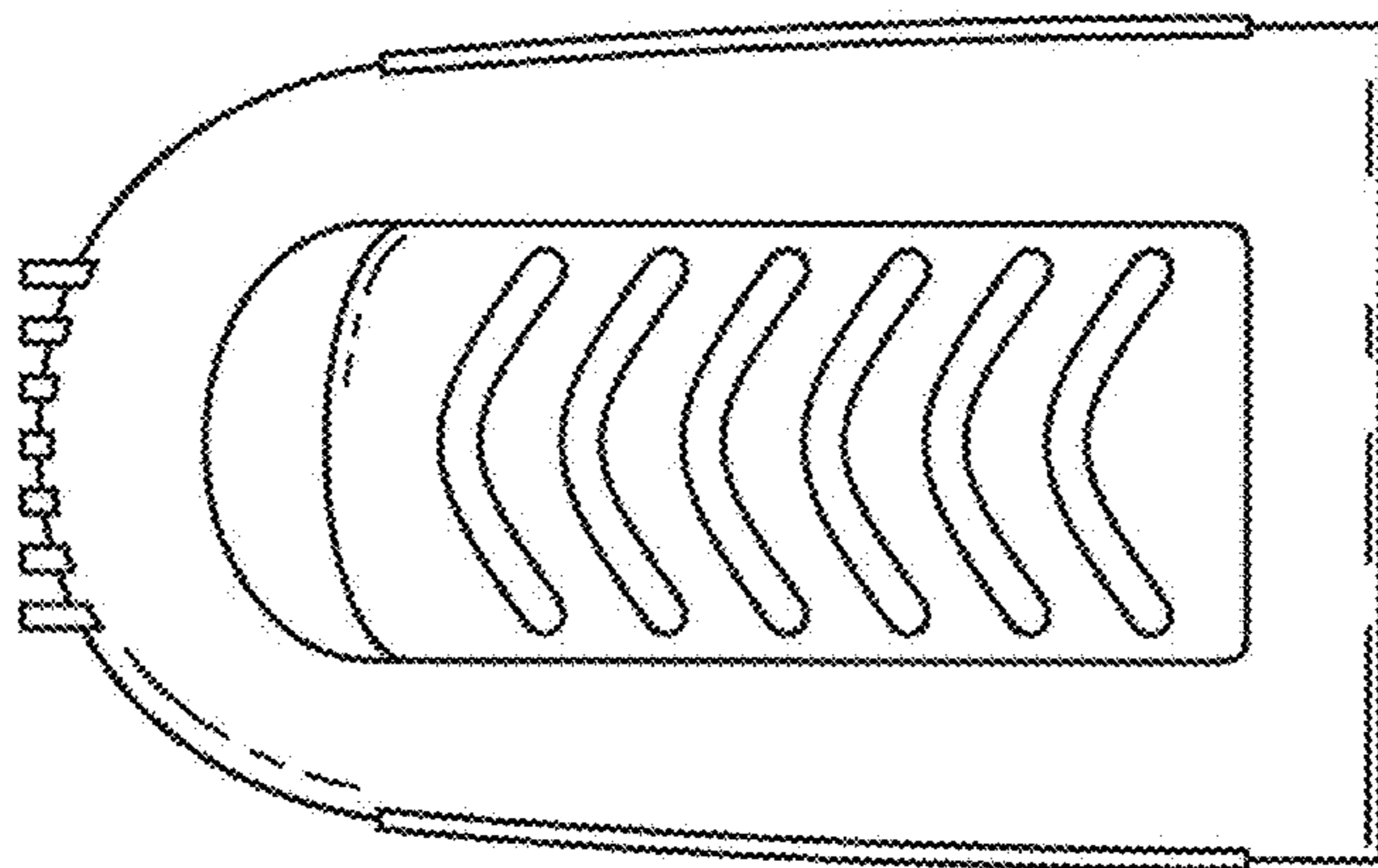


FIG. 5

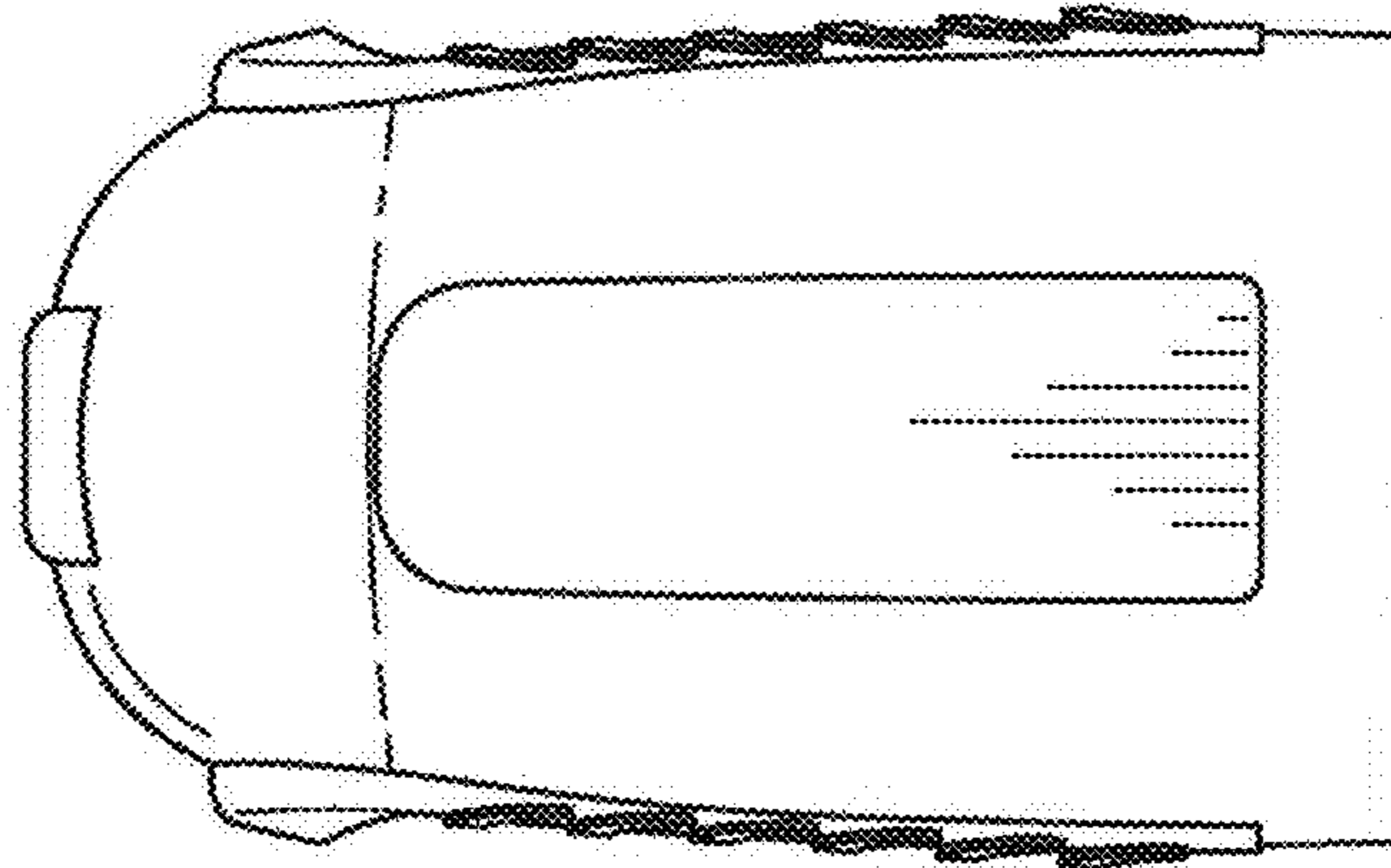


FIG. 6

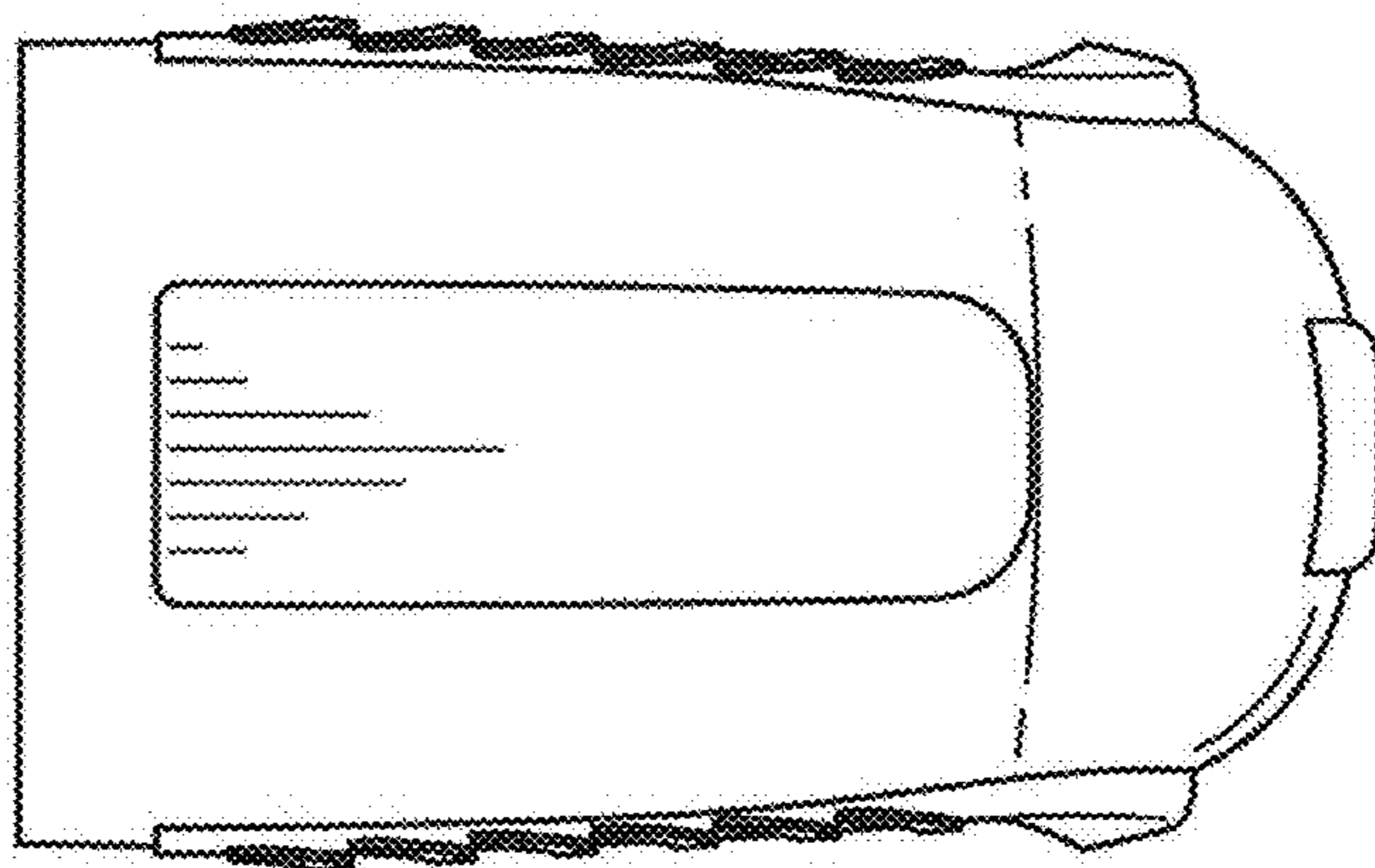


FIG. 7