



US00D829047S

(12) **United States Design Patent**
Greenberg et al.

(10) **Patent No.:** **US D829,047 S**

(45) **Date of Patent:** **** Sep. 25, 2018**

(54) **PUSH TO DISPENSE VALVE FOR A BEVERAGE DISPENSING MACHINE**

(71) Applicant: **Cornelius, Inc.**, Osseo, MN (US)

(72) Inventors: **Jacob C. Greenberg**, Elgin, IL (US);
Michael Graef, Naperville, IL (US);
Edward T. Eaton, Eola, IL (US)

(73) Assignee: **Cornelius, Inc.**, Osseo, MN (US)

(**) Term: **15 Years**

(21) Appl. No.: **29/605,458**

(22) Filed: **May 26, 2017**

(51) **LOC (11) Cl.** **07-99**

(52) **U.S. Cl.**
USPC **D7/398**

(58) **Field of Classification Search**
USPC D8/381, 380; D22/119, 147; D26/138,
D26/141; D7/397, 398, 412, 465, 213,
D7/393, 394; D15/80, 81, 89
CPC A47B 96/06; A47B 96/022; A47F 5/01;
A47J 31/44; A47J 31/46
See application file for complete search history.

(56) **References Cited**

U.S. PATENT DOCUMENTS

D187,276 S *	2/1960	Poglein	248/530
3,900,109 A *	8/1975	Peterson	A47F 5/01
			211/153
4,124,190 A *	11/1978	Wheeler	A01K 97/10
			248/538
4,549,675 A	10/1985	Austin	
4,738,285 A	4/1988	Belland	
4,753,277 A	6/1988	Holcomb et al.	
D303,579 S *	9/1989	Palumbo	D26/61
4,944,332 A	7/1990	Belland	
4,974,643 A	12/1990	Bennett et al.	

D317,861 S *	7/1991	Lechner	D6/566
5,129,549 A	7/1992	Austin	
5,335,440 A *	8/1994	Williams	A01K 97/10
			248/538
D367,000 S *	1/1996	Martin	D8/370
D384,566 S *	10/1997	Dickhaus	D8/107
D405,652 S *	2/1999	Tsoi	D7/624.1
D413,253 S *	8/1999	Kalat	D8/382
D447,213 S *	8/2001	Rossman	D22/147
6,648,185 B1	11/2003	Henry et al.	
D498,663 S *	11/2004	Moore	D8/376
7,059,141 B2	6/2006	Elsom et al.	
D592,016 S *	4/2009	Goodman et al.	D7/624.1
7,669,732 B2	3/2010	Njaastad	
D634,184 S *	3/2011	Koehn	D8/370
D650,655 S *	12/2011	Wester	D8/354
8,152,024 B2	4/2012	Njaastad et al.	
D758,119 S	6/2016	Sanchez et al.	
D772,003 S *	11/2016	Broen	D7/307

(Continued)

Primary Examiner — Derrick Holland

Assistant Examiner — Andrew Kerr

(74) *Attorney, Agent, or Firm* — Andrus Intellectual Property Law, LLP

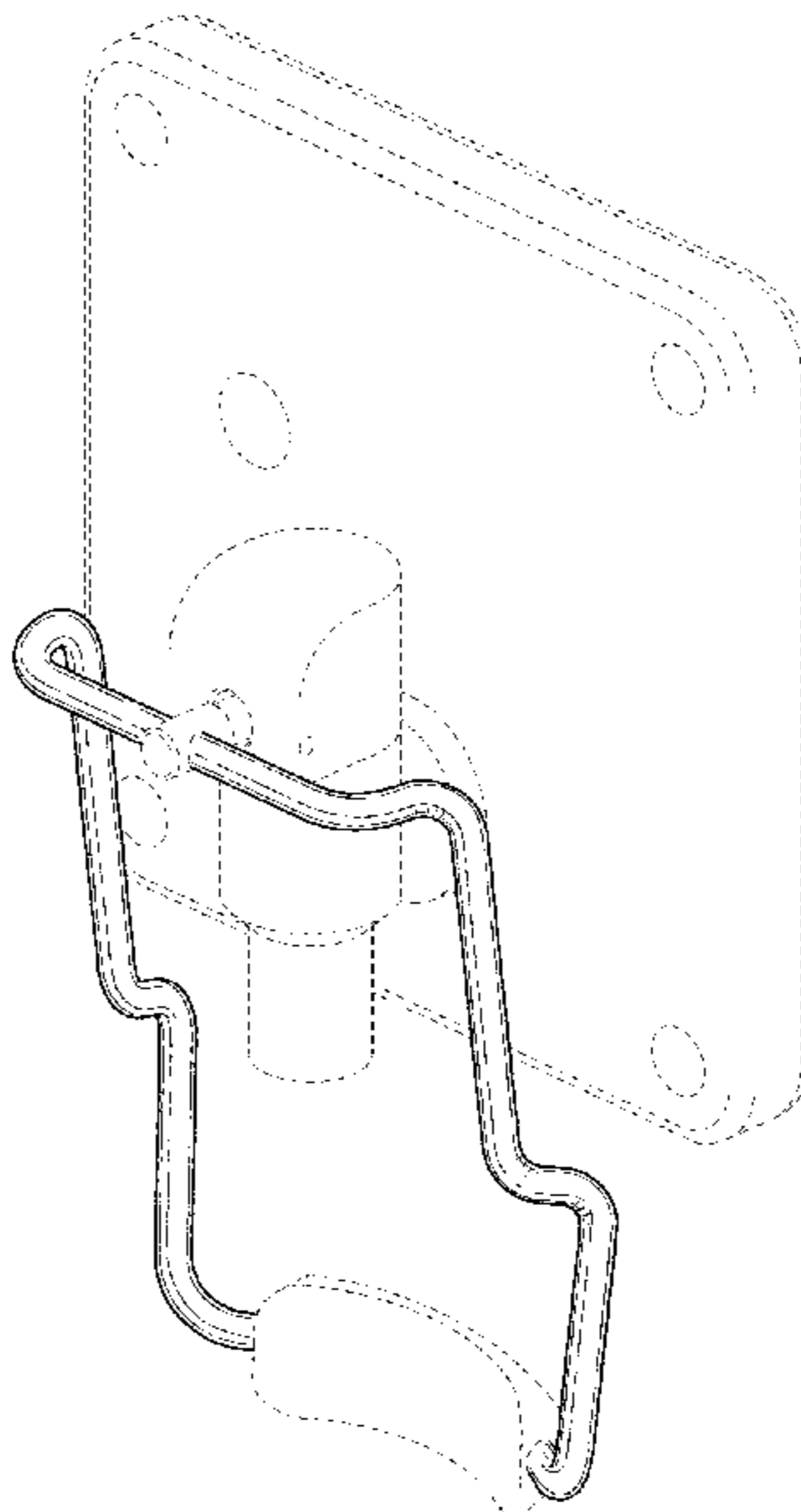
(57) **CLAIM**

The ornamental design for a push to dispense valve for a beverage dispensing machine, as shown and described.

DESCRIPTION

FIG. 1 is a perspective view of a push to dispense valve for a beverage dispensing machine, showing our new design; FIG. 2 is a front view thereof; FIG. 3 is a first side view thereof; FIG. 4 is a second side view thereof; FIG. 5 is a top view thereof; and, FIG. 6 is a bottom view thereof. The broken lines in the figures illustrate the portions of the design that form no part of the claimed design.

1 Claim, 5 Drawing Sheets



(56)

References Cited

U.S. PATENT DOCUMENTS

9,517,441 B2 12/2016 Jablonski et al.
D803,672 S * 11/2017 Chikkakalbalu D8/381
9,839,329 B2 * 12/2017 Chu A47J 47/16

* cited by examiner

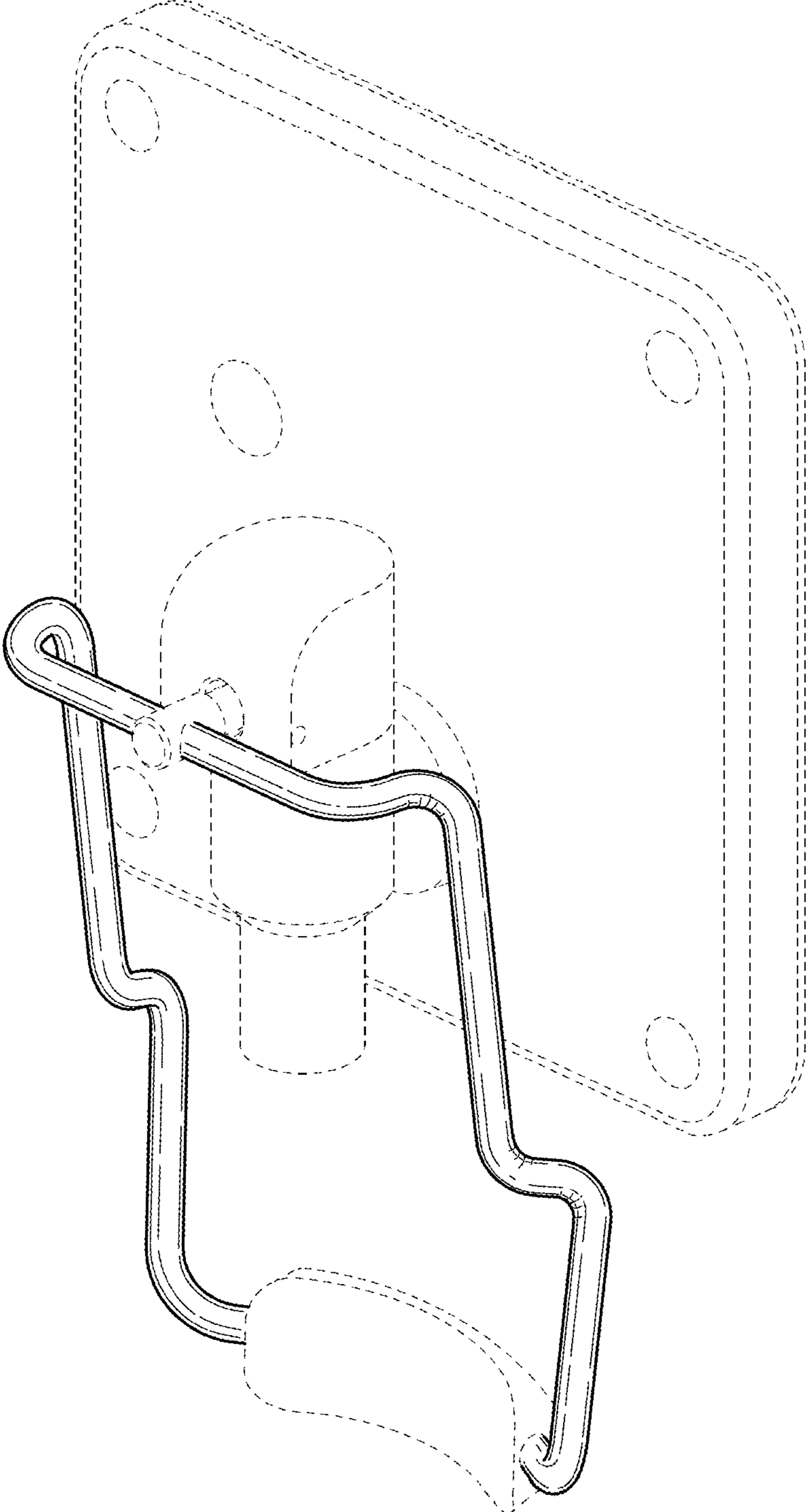


FIG. 1

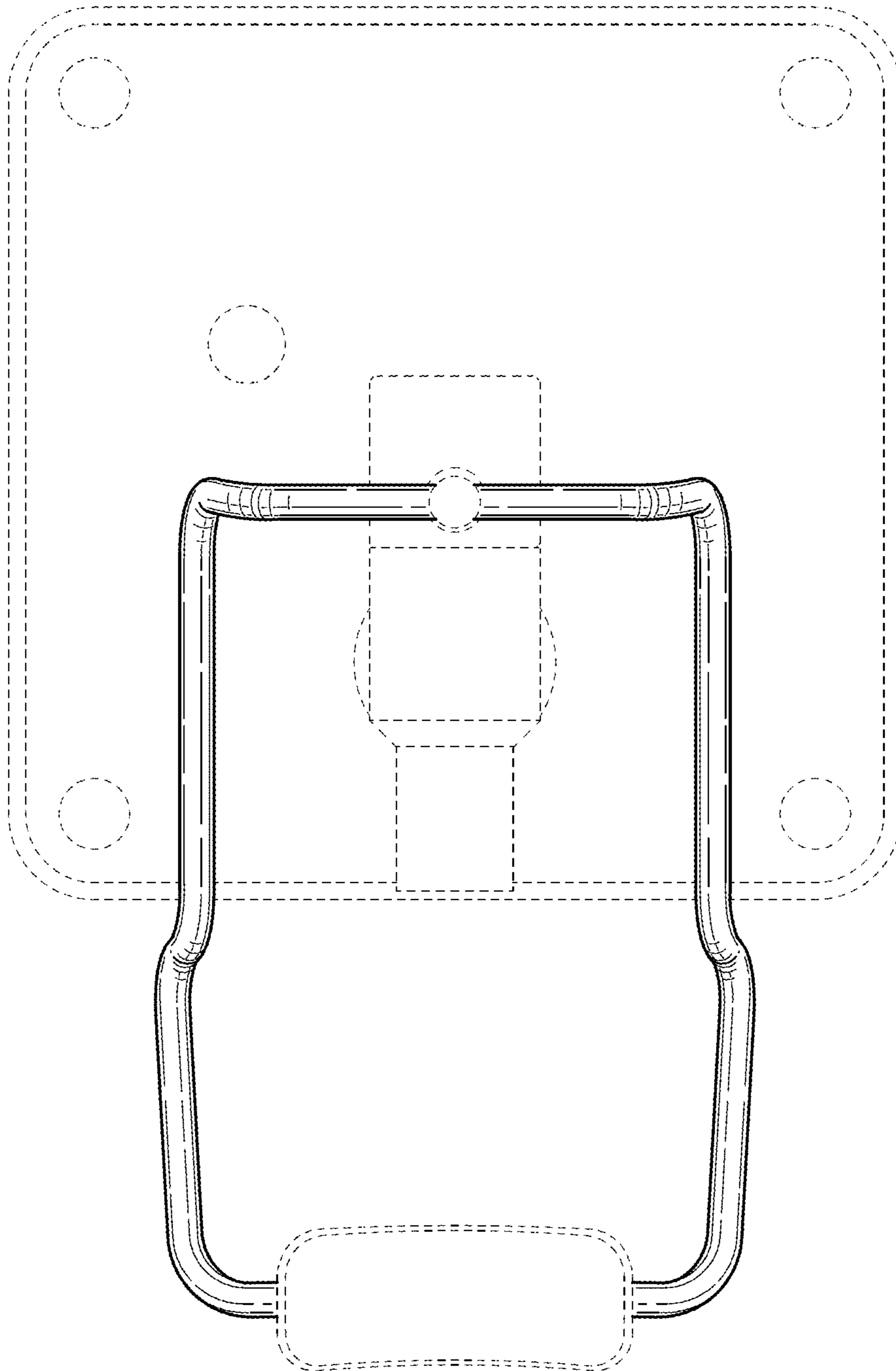


FIG. 2

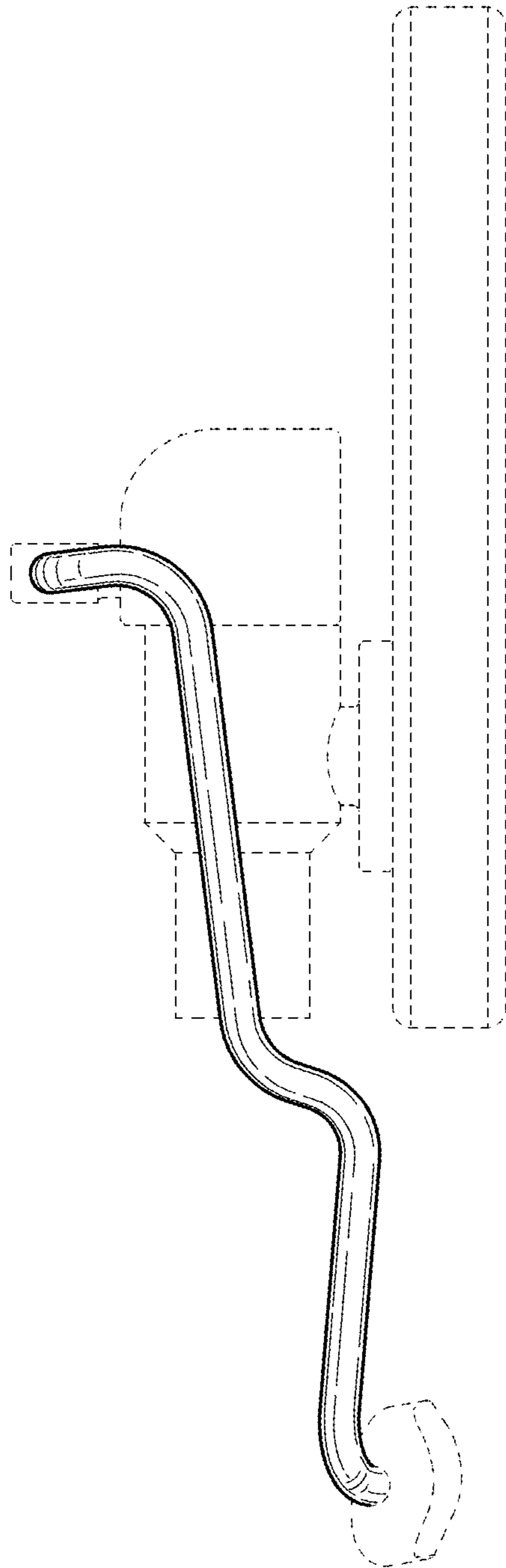


FIG. 3

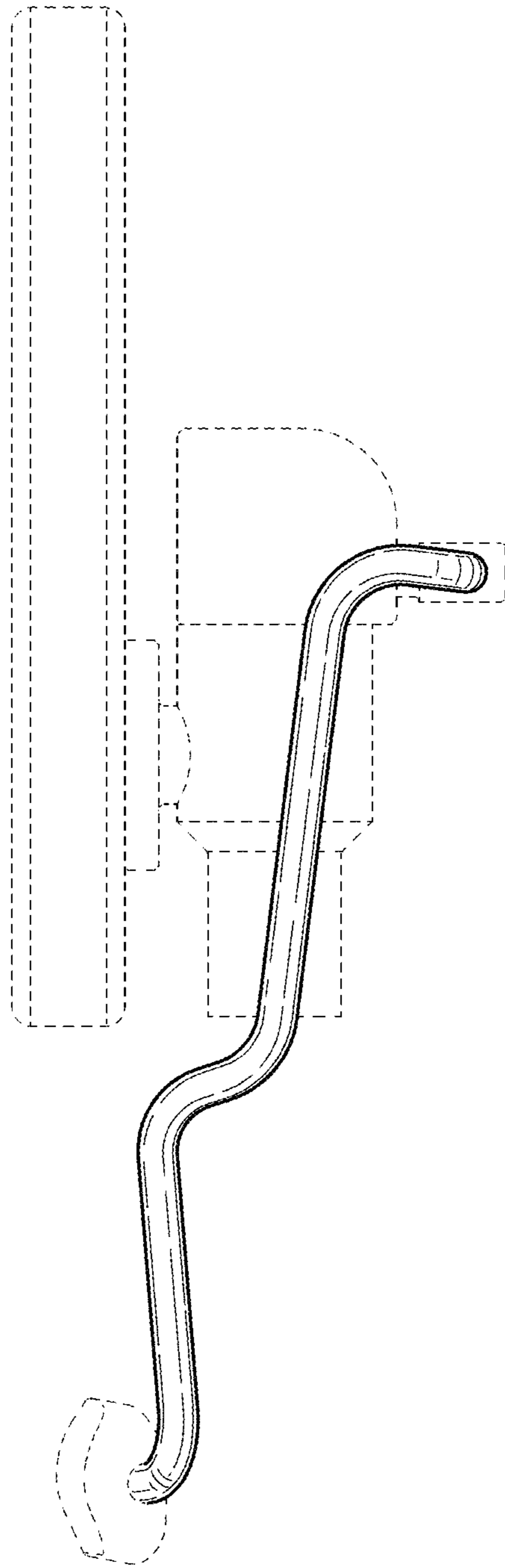


FIG. 4

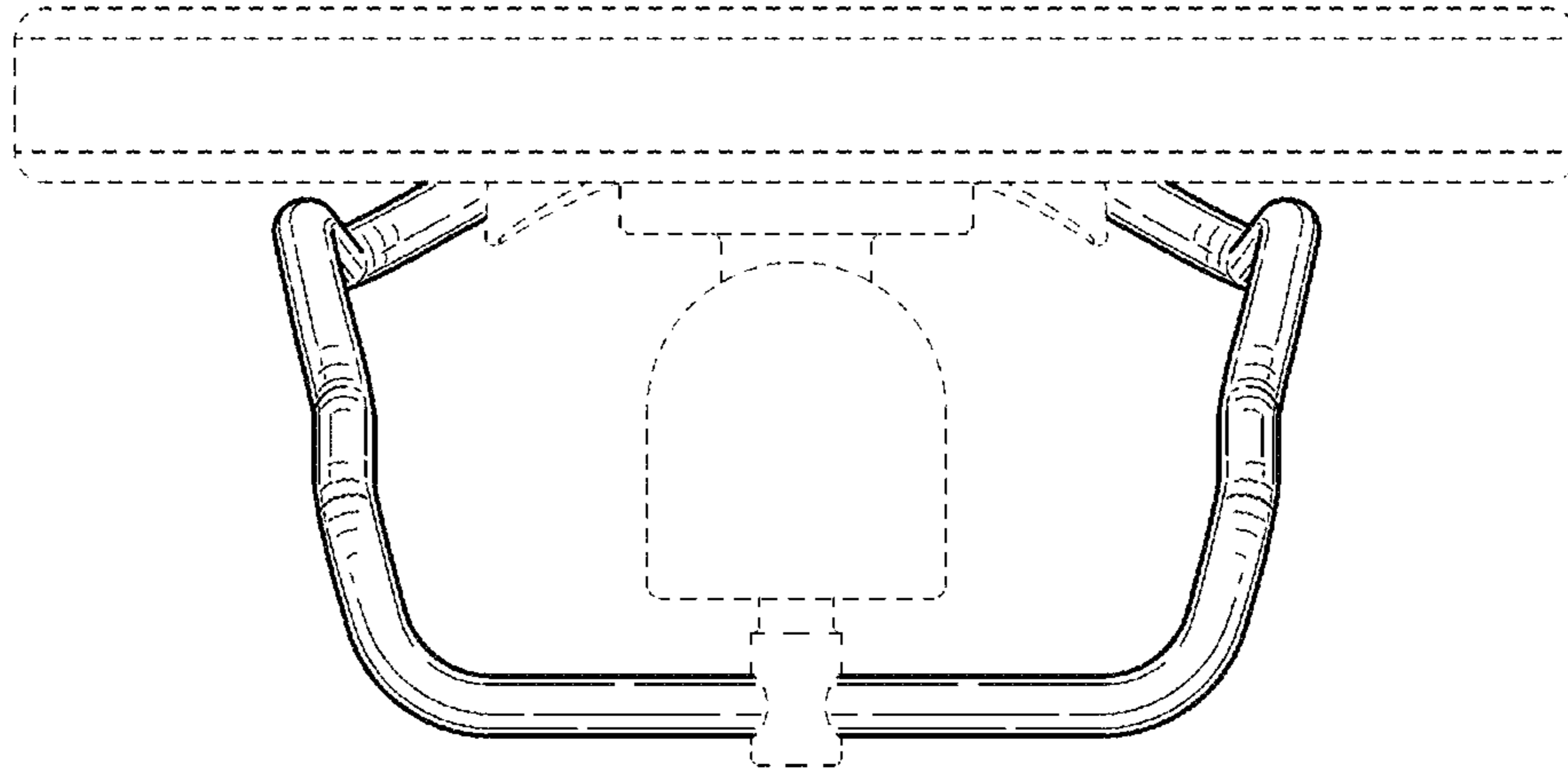


FIG. 5

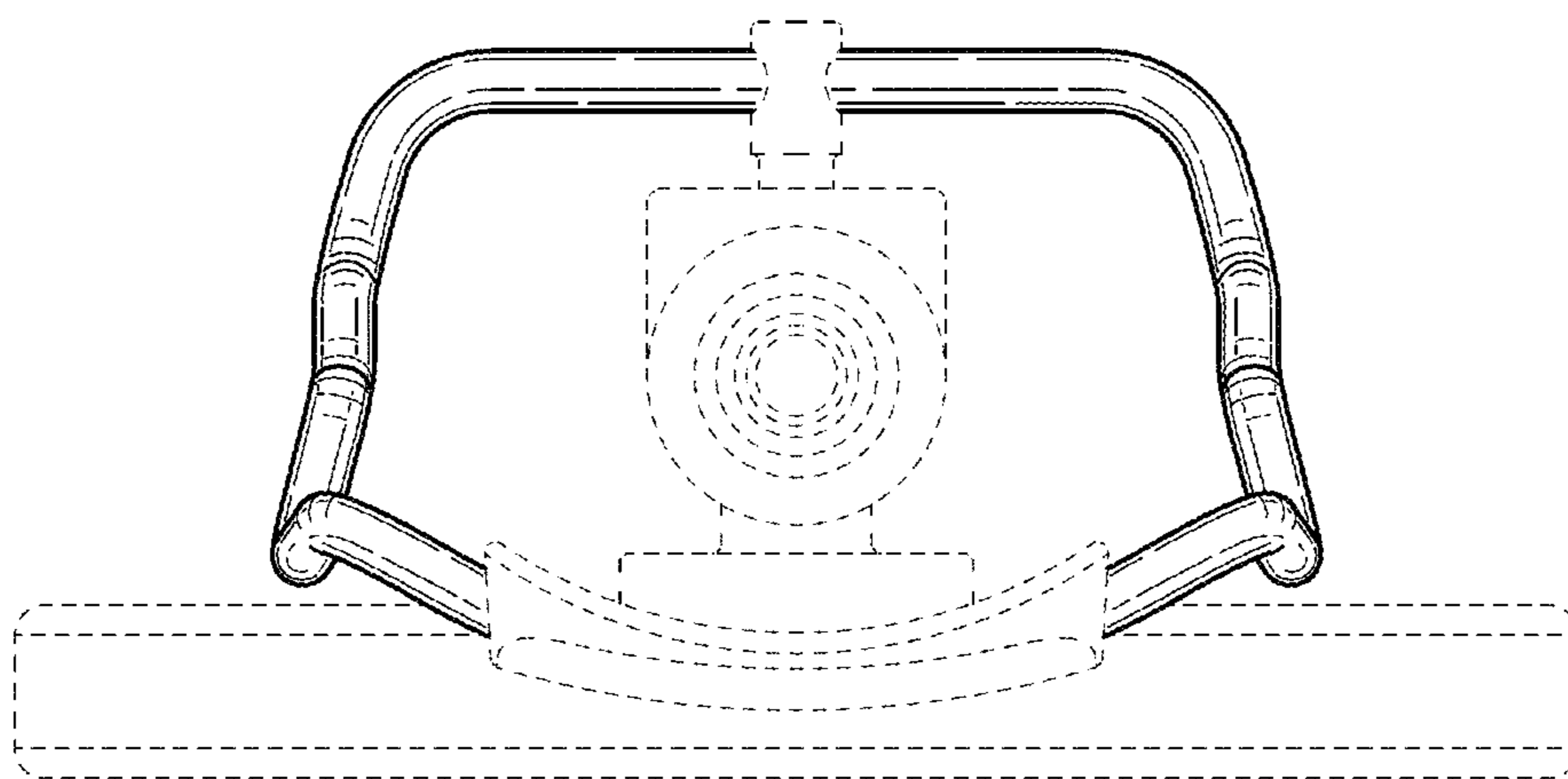


FIG. 6