



US00D829046S

(12) **United States Design Patent**
Alix et al.

(10) **Patent No.:** **US D829,046 S**

(45) **Date of Patent:** **** Sep. 25, 2018**

(54) **BASE FOR CONTAINER**

(71) Applicant: **Pernod Ricard SA**, Paris (FR)

(72) Inventors: **Philippe Alix**, Paris (FR); **David Bersoult**, Paris (FR)

(73) Assignee: **Pernod Ricard SA** (FR)

(**) Term: **15 Years**

(21) Appl. No.: **29/609,761**

(22) Filed: **Jul. 5, 2017**

(51) **LOC (11) Cl.** **07-01**

(52) **U.S. Cl.**
USPC **D7/397; D7/388; D7/554.3; D7/552.1;**
D19/91

(58) **Field of Classification Search**
USPC D7/554.3, 552.1, 397, 399, 388; D19/91
CPC . B42F 9/00; B43L 3/004; B42D 5/005; A47B
67/04

See application file for complete search history.

(56) **References Cited**

U.S. PATENT DOCUMENTS

- 1,390,938 A * 9/1921 Thompson A47B 23/043
248/456
- 1,829,455 A * 10/1931 Riley B42D 5/005
248/460
- 2,164,496 A * 7/1939 Brown B42F 7/14
211/51
- D164,615 S * 9/1951 Warnell D19/88
- 2,642,841 A * 6/1953 Funk B41J 29/15
24/67.3
- 3,419,012 A * 12/1968 Stoddard B42F 9/001
24/67.11
- 3,582,054 A * 6/1971 Beck F27B 9/08
432/153
- D260,070 S * 8/1981 Haverland D7/388
- 4,375,296 A * 3/1983 Chang B43L 3/004
211/45

- D282,324 S * 1/1986 Ellis D19/91
- D292,357 S * 10/1987 Narain D7/388
- D302,219 S * 7/1989 Pandolfi D7/388
- 4,948,172 A * 8/1990 Chang B42F 9/001
281/30
- D319,745 S * 9/1991 Williams D7/388
- D340,642 S 10/1993 Detzel et al.

(Continued)

FOREIGN PATENT DOCUMENTS

- EM 002392811-0001 1/2014
- EM 002392811-0002 1/2014

(Continued)

OTHER PUBLICATIONS

U.S. Appl. No. 29/589,902, filed Jan. 5, 2017. (Unpublished).

Primary Examiner — Marianne Pandozzi

(74) *Attorney, Agent, or Firm* — Saidman DesignLaw Group, LLC

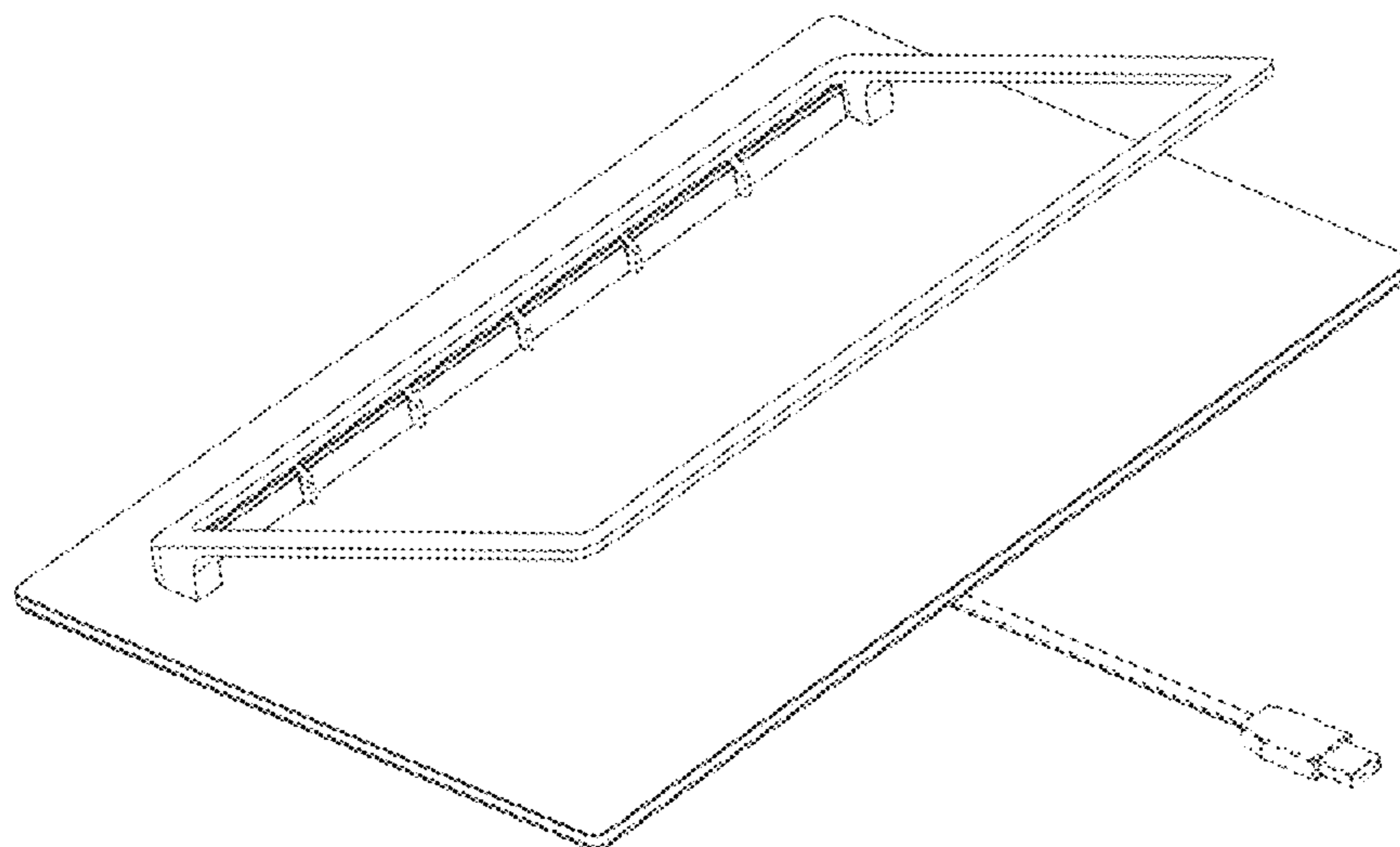
(57) **CLAIM**

The ornamental design for a base for container, as shown and described.

DESCRIPTION

FIG. 1 is a front perspective view of a base for container showing our new design;
 FIG. 2 is a rear perspective view thereof;
 FIG. 3 is a bottom perspective view thereof;
 FIG. 4 is a front view thereof;
 FIG. 5 is a rear view thereof;
 FIG. 6 is a top view thereof;
 FIG. 7 is a bottom view thereof;
 FIG. 8 is a left side view thereof; and,
 FIG. 9 is a right side view thereof.
 The broken lines in the drawing depict portions of the base for container that form no part of the claimed design.

1 Claim, 9 Drawing Sheets



(56)

References Cited

U.S. PATENT DOCUMENTS

5,382,054 A * 1/1995 Bettiol B42D 9/00
 281/42
 5,386,978 A * 2/1995 Ladwig A47J 47/005
 269/289 R
 D365,368 S * 12/1995 Stoddard D19/88
 D366,183 S * 1/1996 Sintchak D7/388
 D384,699 S * 10/1997 Greene D19/91
 D418,875 S * 1/2000 Paik D19/86
 D420,391 S * 2/2000 Nelson D19/65
 D427,062 S 6/2000 Alvarez et al.
 D437,218 S 2/2001 Ljunström et al.
 D444,996 S * 7/2001 Morgan A47B 67/04
 D7/388
 D455,607 S * 4/2002 Johnson D7/387
 6,634,614 B1 * 10/2003 Page A47B 23/044
 248/452
 D522,854 S 6/2006 Engels et al.
 D586,221 S 2/2009 Shaikh
 D616,700 S * 6/2010 Pourounidis D7/388
 D684,630 S * 6/2013 Pham D19/91
 D702,117 S 4/2014 Dagnino

D716,870 S * 11/2014 Jungst D19/91
 D717,644 S 11/2014 Franic
 D722,869 S 2/2015 Himmelsbach et al.
 D738,202 S 9/2015 Stone
 D743,485 S * 11/2015 deBretton Gordon D19/91
 D748,470 S 2/2016 Mohn et al.
 D754,486 S 4/2016 Ott
 D779,319 S 2/2017 Hoggarth et al.
 2011/0192118 A1 8/2011 Kaneko
 2013/0284797 A1 10/2013 Ouillette

FOREIGN PATENT DOCUMENTS

EM 002392811-0003 1/2014
 EM 002392811-0004 1/2014
 EM 002392811-0005 1/2014
 EM 002392811-0006 1/2014
 EM 002392829-001 1/2014
 EM 002392829-002 1/2014
 EM 002392829-003 1/2014
 EM 002392829-004 1/2014
 EM 002392829-005 1/2014
 EM 002392829-006 1/2014

* cited by examiner

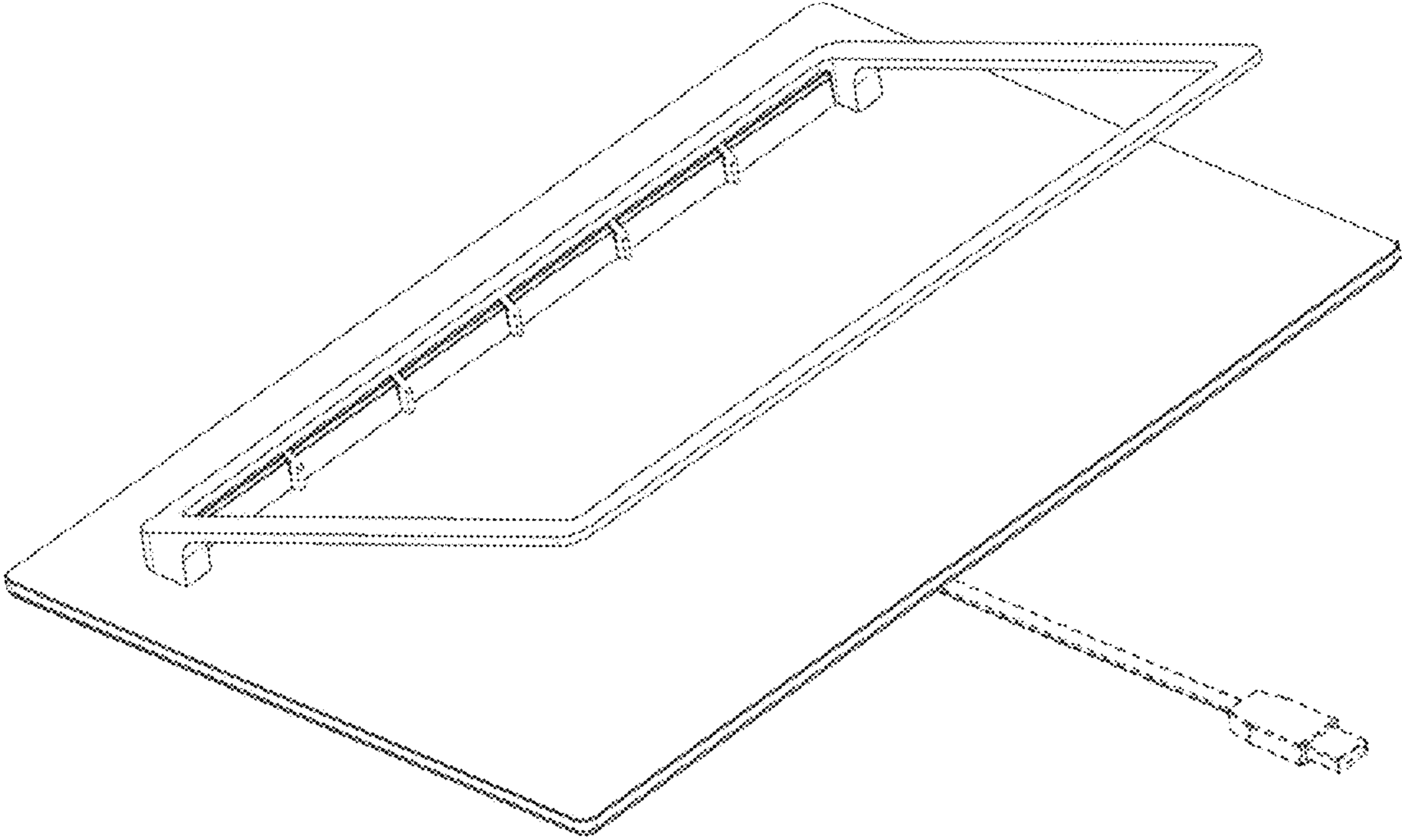


FIG. 1

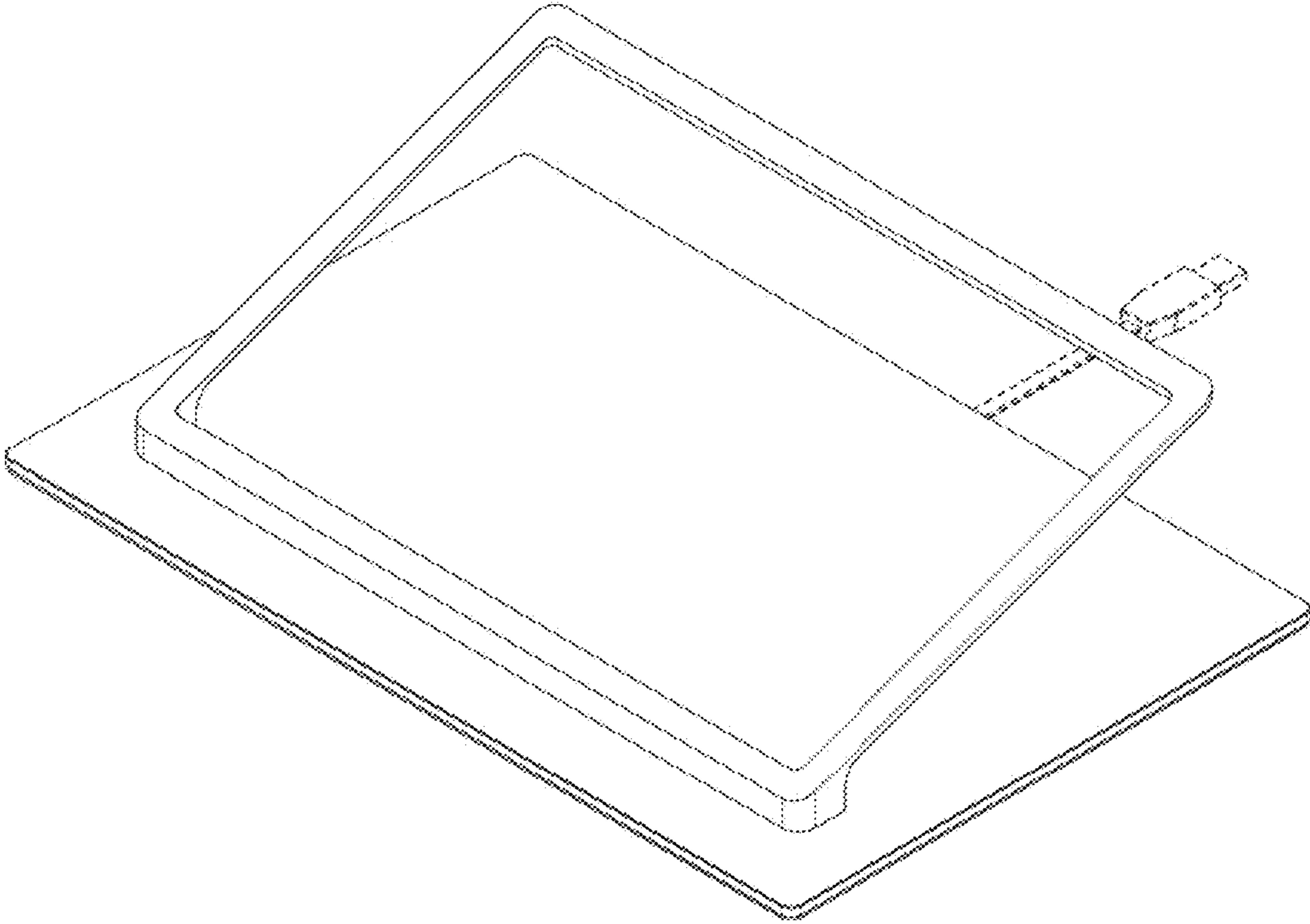


FIG. 2

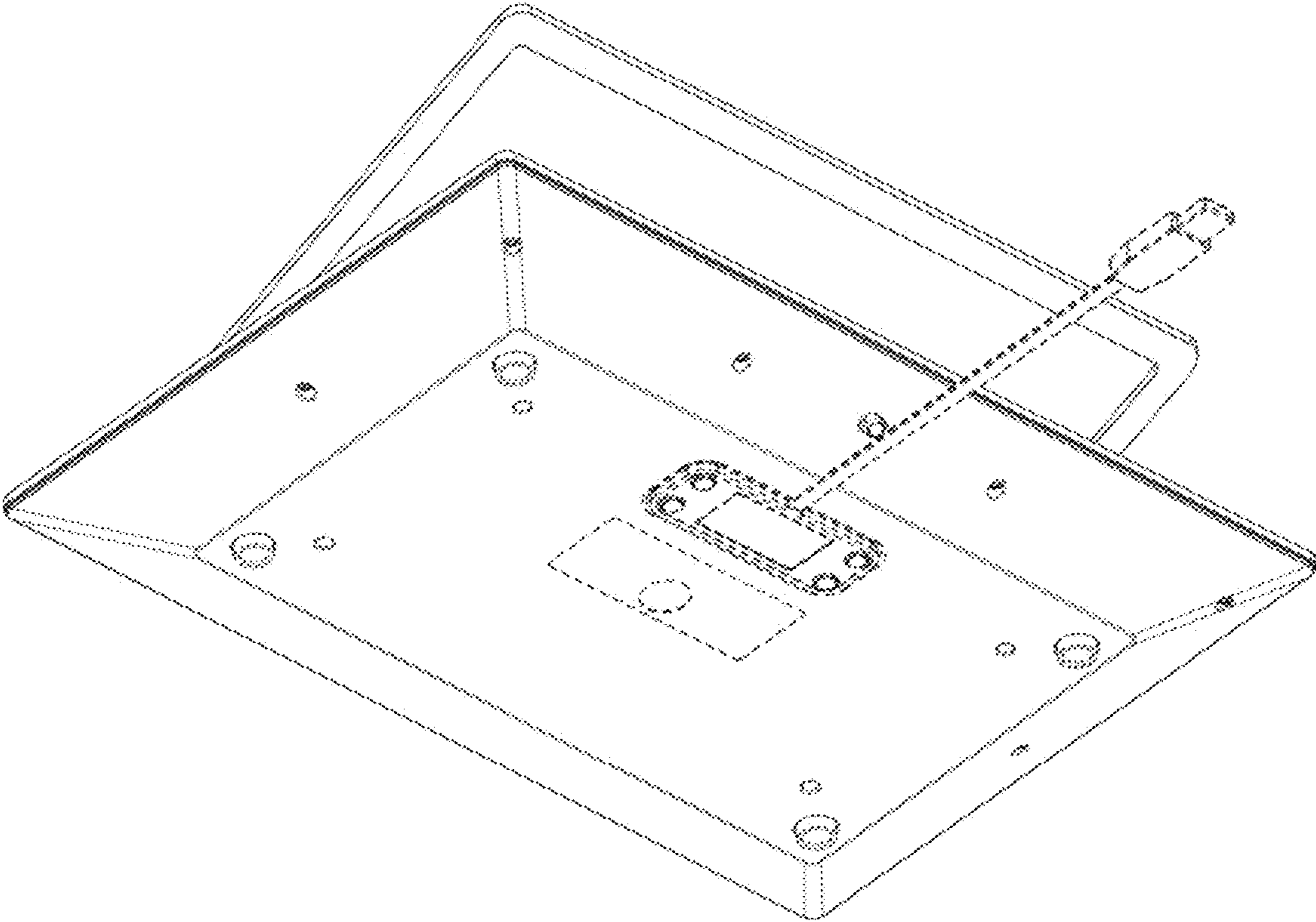


FIG. 3

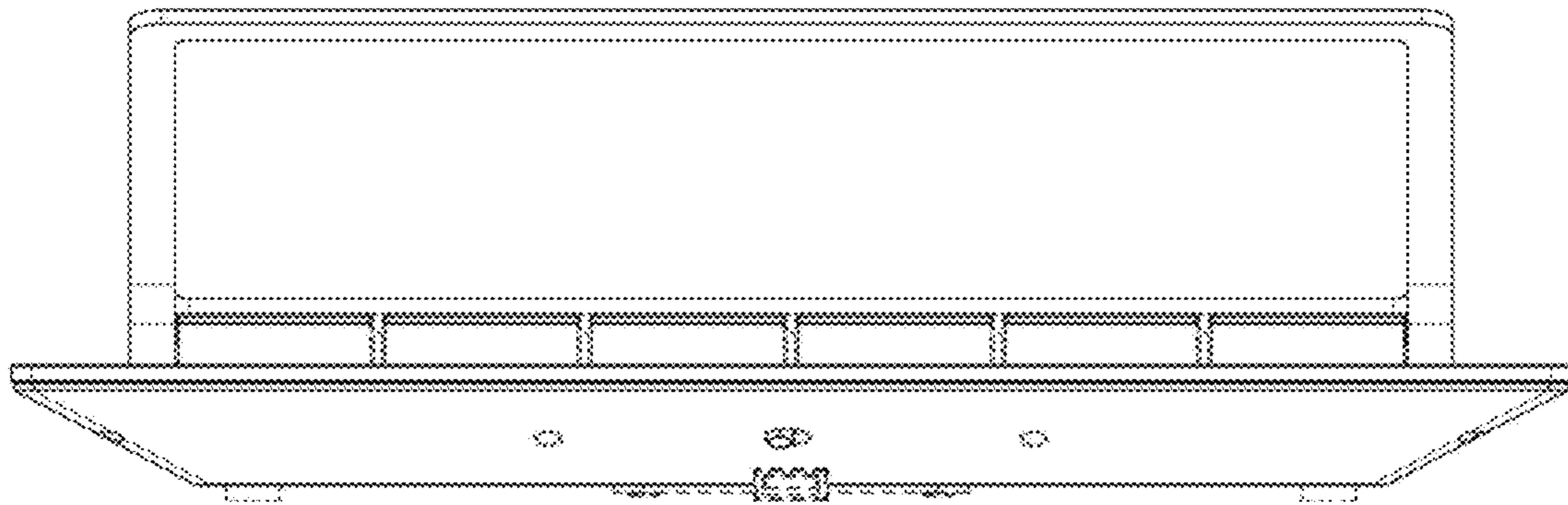


FIG. 4

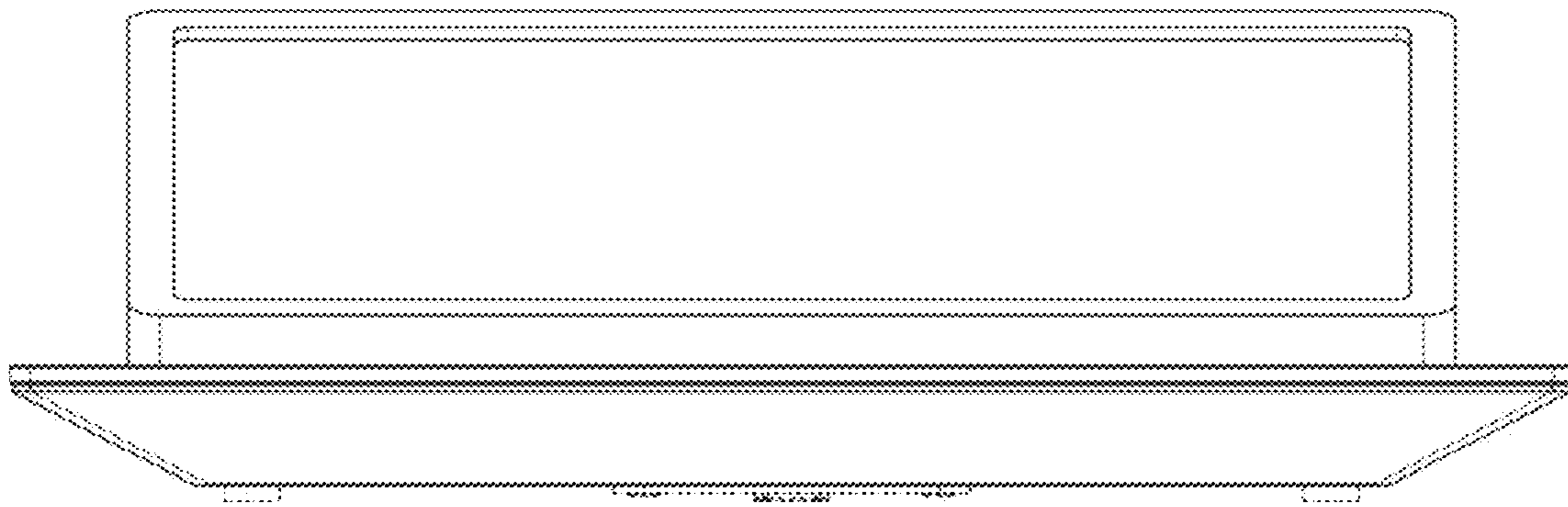


FIG. 5

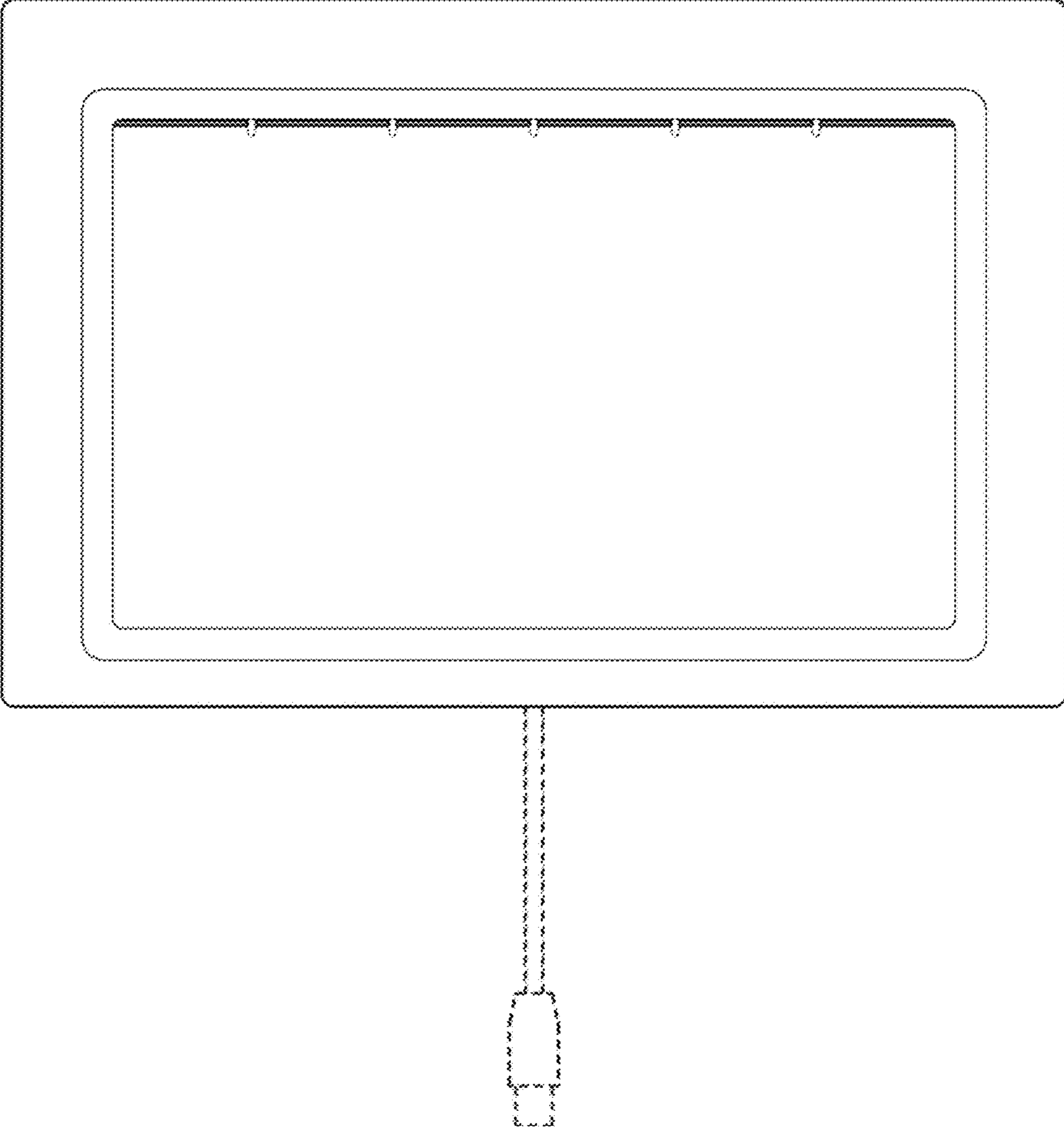


FIG. 6

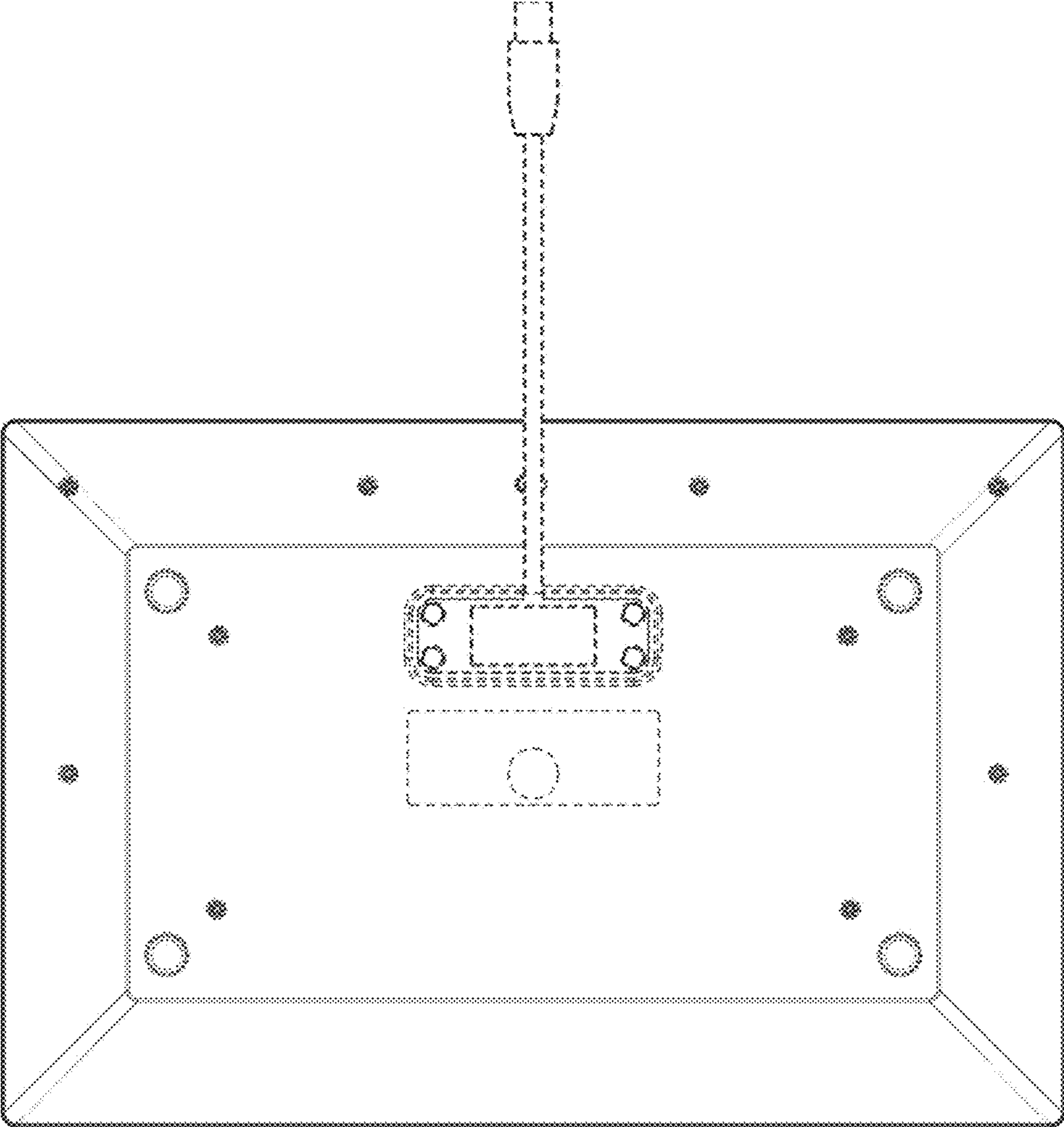


FIG. 7

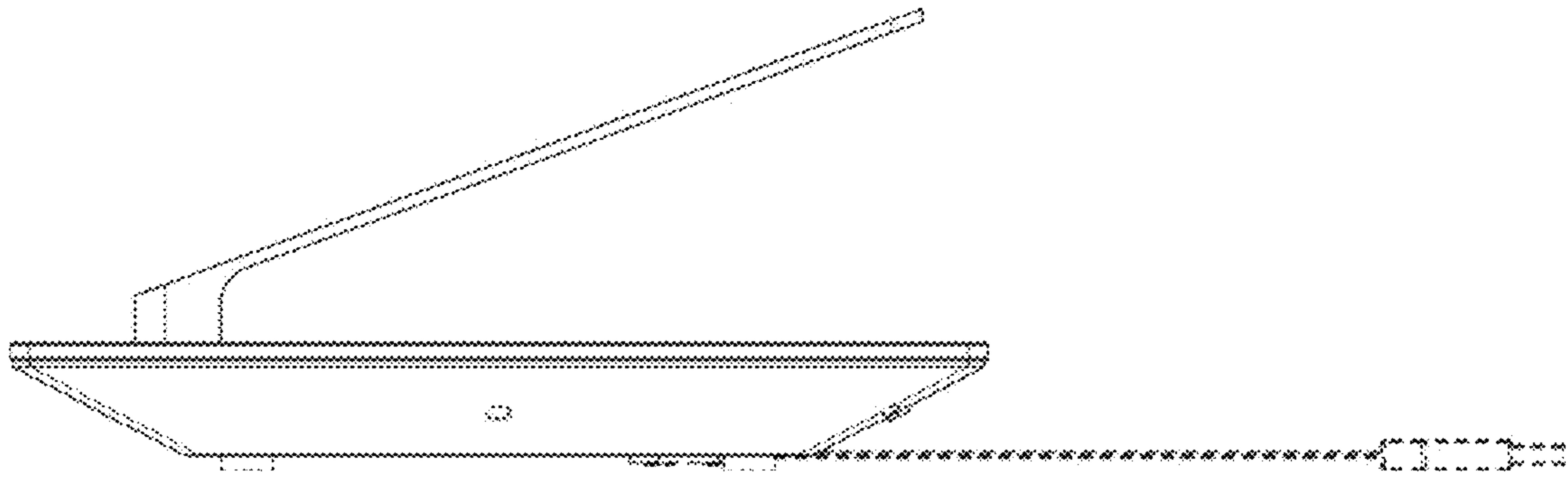


FIG. 8

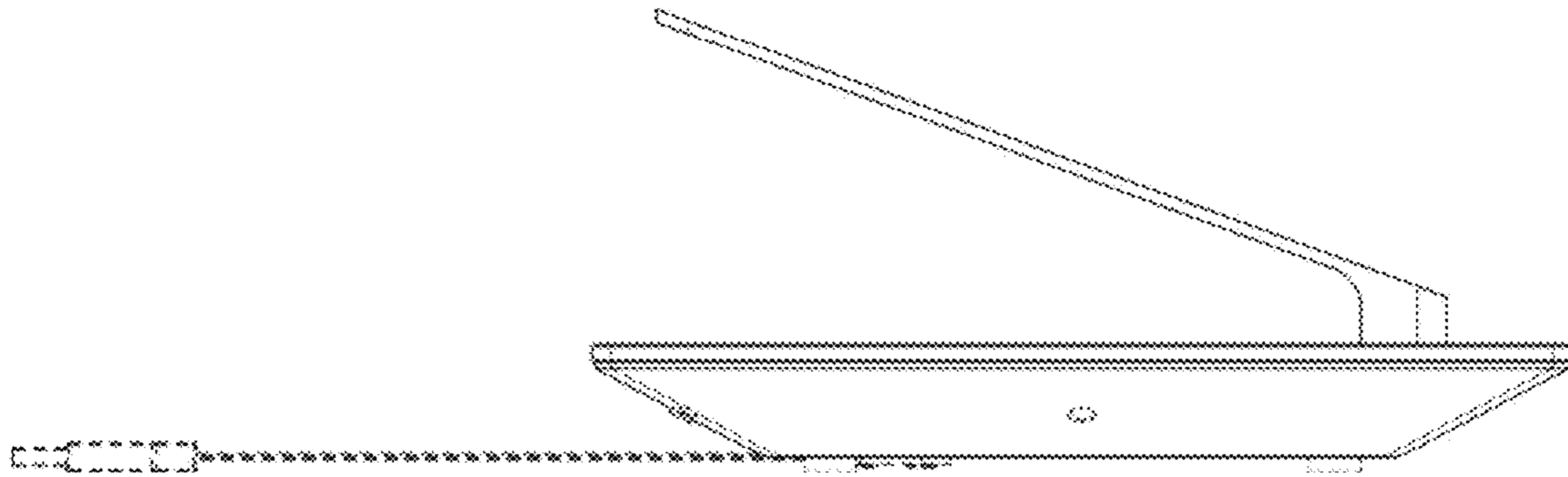


FIG. 9

UNITED STATES PATENT AND TRADEMARK OFFICE
CERTIFICATE OF CORRECTION

PATENT NO. : D829,046 S
APPLICATION NO. : 29/609761
DATED : September 25, 2018
INVENTOR(S) : Philippe Alix et al.

Page 1 of 1

It is certified that error appears in the above-identified patent and that said Letters Patent is hereby corrected as shown below:

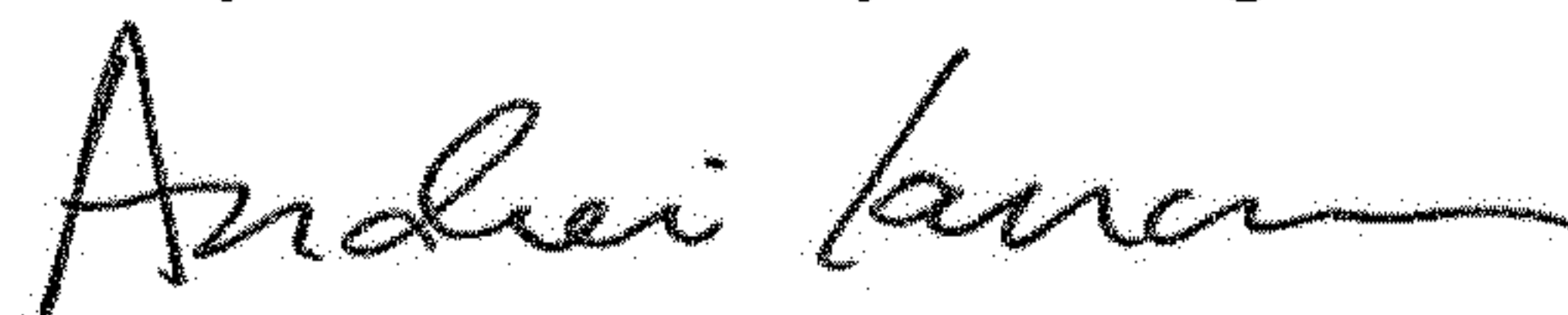
On the Title Page

Please insert:

--(30) Foreign Application Priority Data

January 5, 2017 (EM)003584002-0001--

Signed and Sealed this
Twenty-seventh Day of August, 2019



Andrei Iancu
Director of the United States Patent and Trademark Office