



US00D829045S

(12) **United States Design Patent**
Centioli et al.

(10) **Patent No.:** **US D829,045 S**

(45) **Date of Patent:** **** Sep. 25, 2018**

(54) **BEVERAGE DEVICE**

(71) Applicant: **Quercus, LLC**, Seattle, WA (US)

(72) Inventors: **Samuel Centioli**, Seattle, WA (US);
Conan Storlie, Seattle, WA (US)

(**) Term: **15 Years**

(21) Appl. No.: **29/543,453**

(22) Filed: **Oct. 23, 2015**

(51) **LOC (11) Cl.** **07-99**

(52) **U.S. Cl.**
USPC **D7/397**

(58) **Field of Classification Search**

USPC D7/387, 393, 395, 398, 401.1, 213, 682,
D7/669, 376; D17/22; D21/662, 673,
D21/694, 400, 402; D22/117, 199;
D24/107, 108

CPC G10G 7/00; G10D 13/003; A45F 2003/163
See application file for complete search history.

(56) **References Cited**

U.S. PATENT DOCUMENTS

D297,333 S * 8/1988 Benson 84/422.4
D452,545 S * 12/2001 Starrett D22/117
D593,801 S * 6/2009 Wilson D24/114
D614,443 S * 4/2010 Federighi D7/397

D770,863 S * 11/2016 Sanbar D7/619.2
D801,747 S * 11/2017 Hanneson D7/397
D802,652 S * 11/2017 Cooper D17/22
D809,867 S * 2/2018 Leigh D7/523

* cited by examiner

Primary Examiner — Derrick Holland

Assistant Examiner — Andrew Kerr

(74) *Attorney, Agent, or Firm* — Puget Patent; Michael Gibbons

(57) **CLAIM**

The ornamental design for a beverage device, as shown and described.

DESCRIPTION

FIG. 1 is an isometric view of a beverage device, showing our new design;

FIG. 2 is another isometric view thereof;

FIG. 3 is a left side view thereof;

FIG. 4 is a right side view thereof;

FIG. 5 is a top view thereof;

FIG. 6 is a bottom view thereof;

FIG. 7 is a front view thereof;

FIG. 8 is a back view thereof; and,

FIG. 9 is a right side view thereof, in use condition.

The broken lines in FIG. 9 depict environmental subject matter only and form no part of the claimed design.

1 Claim, 5 Drawing Sheets

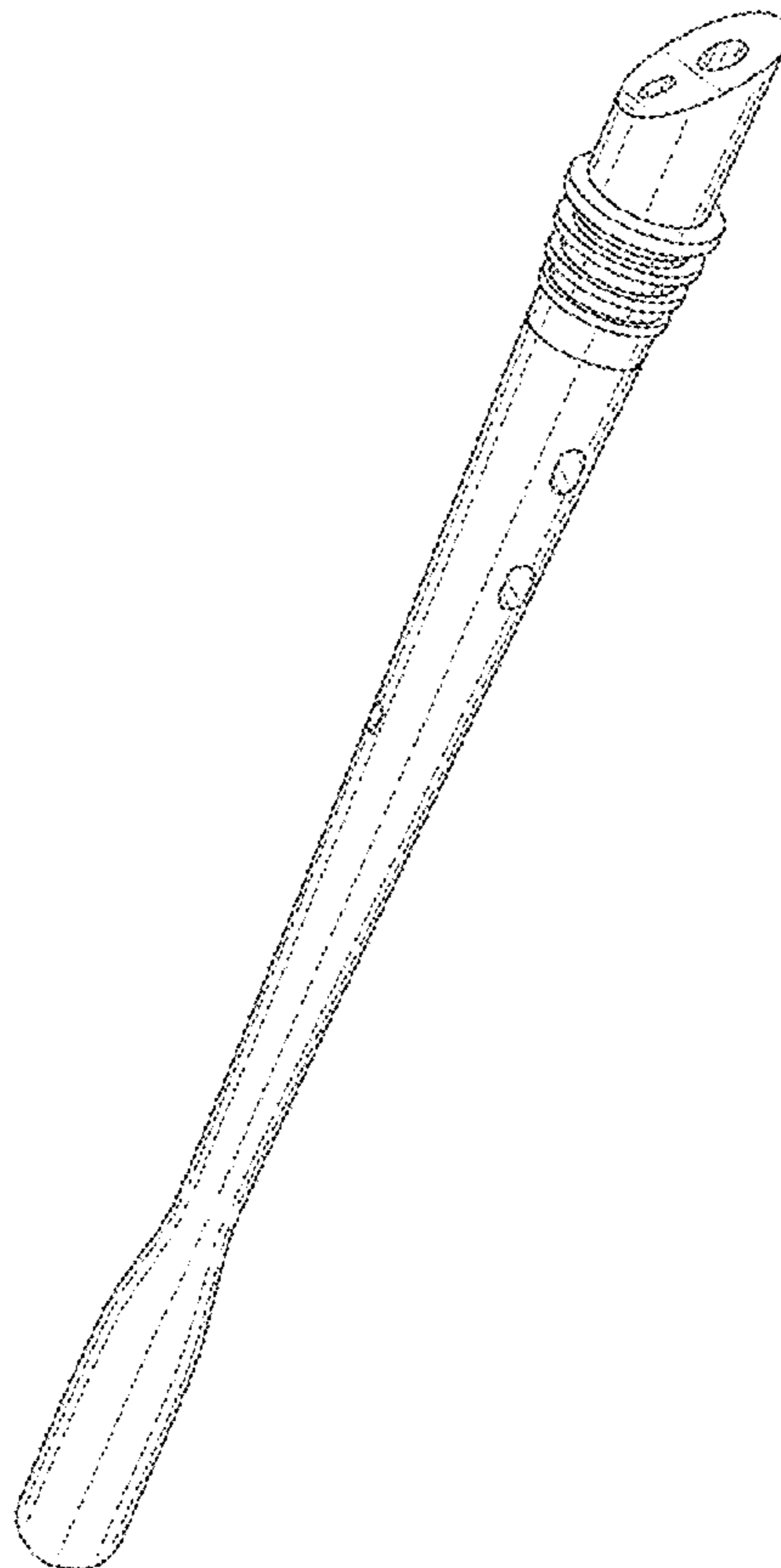


FIG. 1

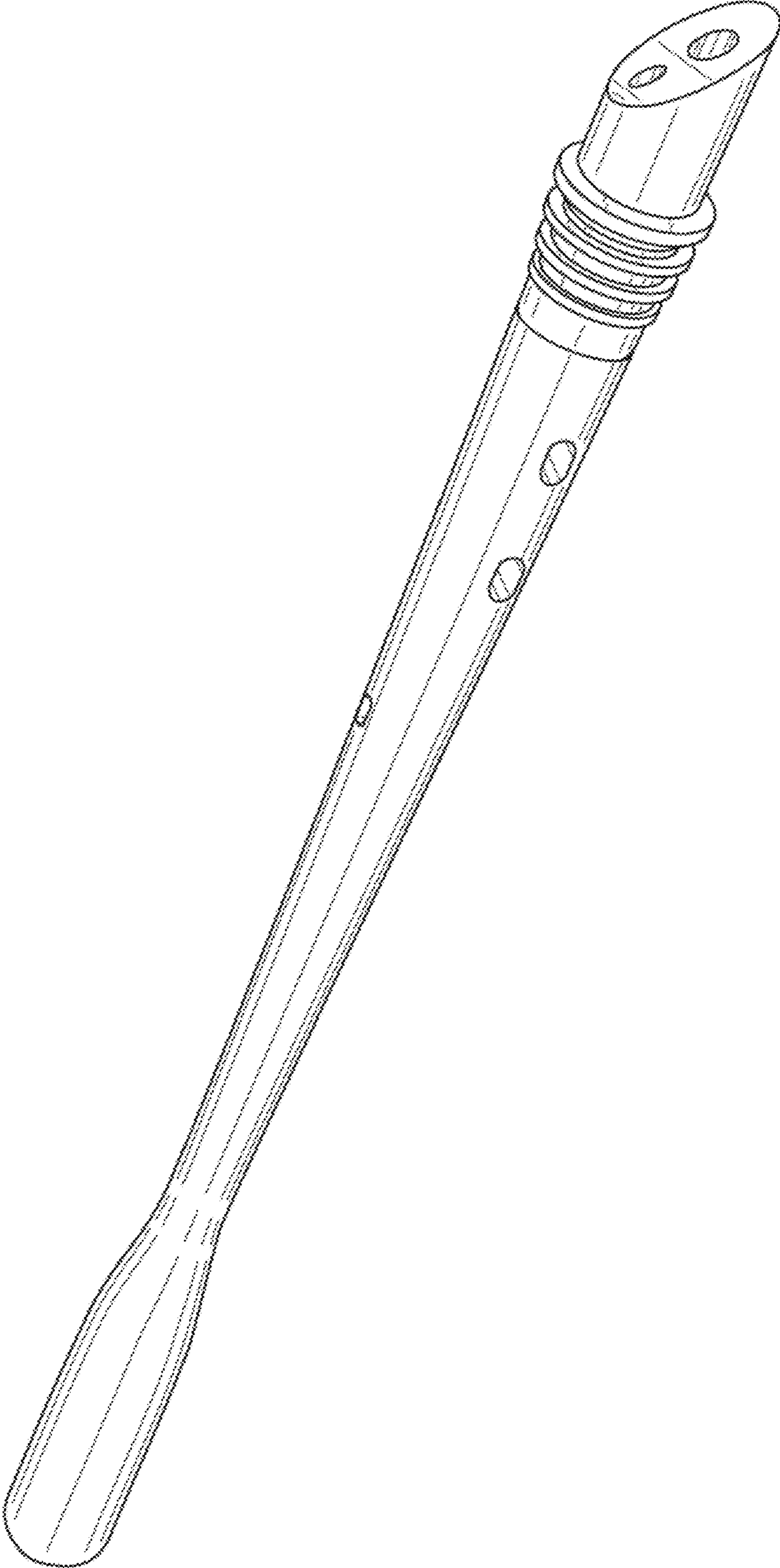


FIG. 2

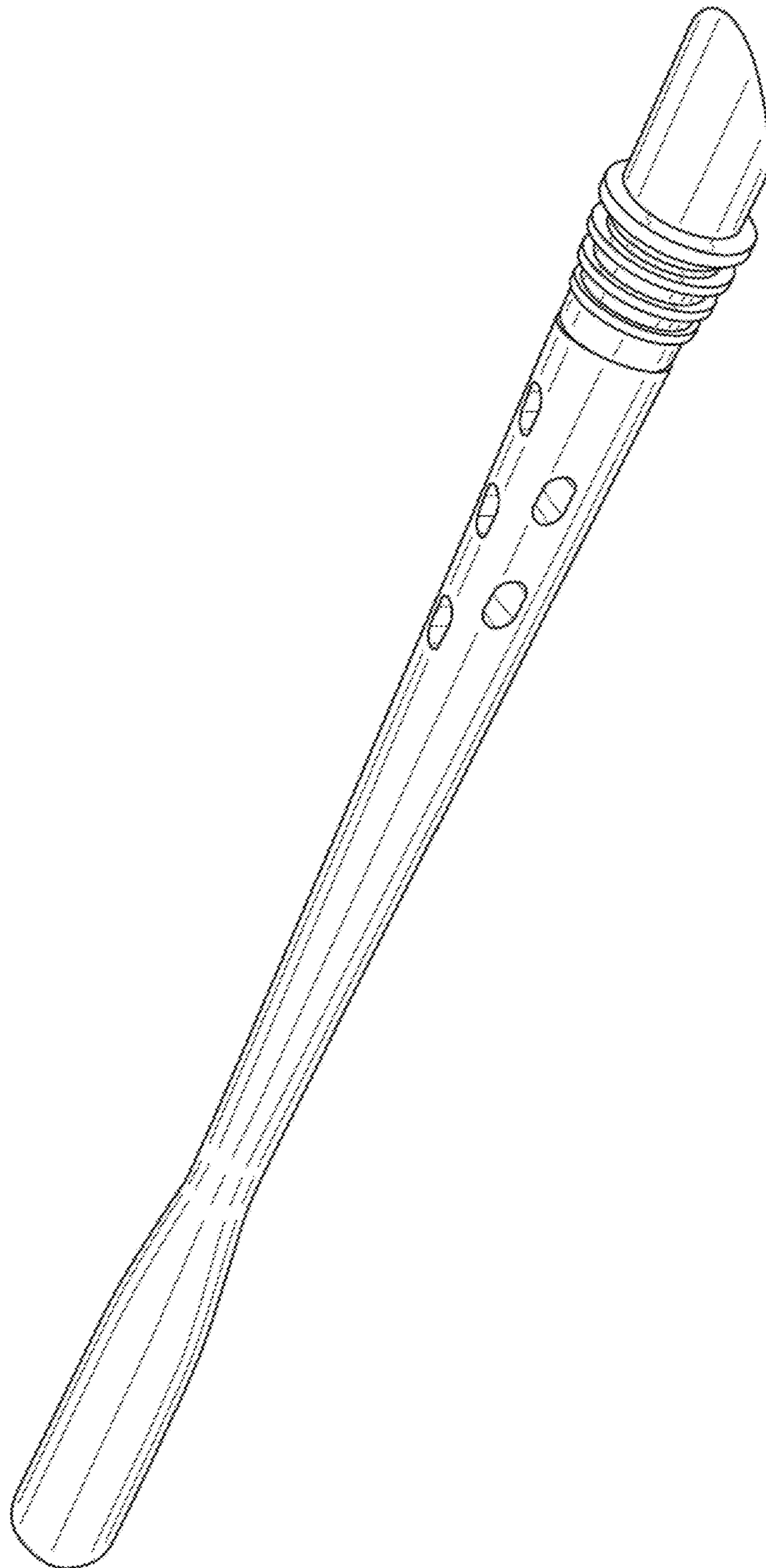


FIG. 3

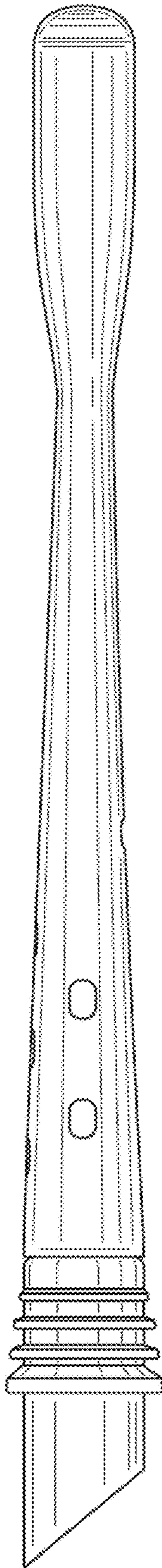


FIG. 4

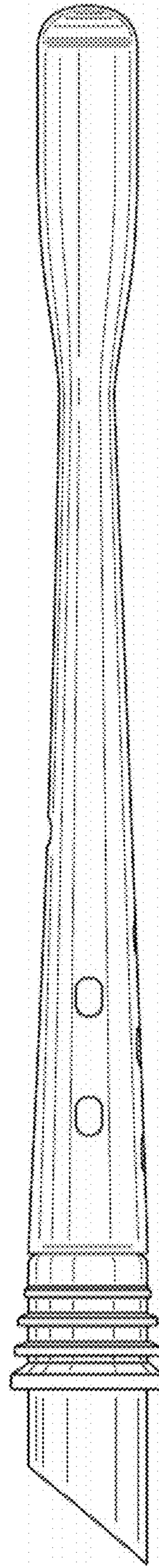


FIG. 5

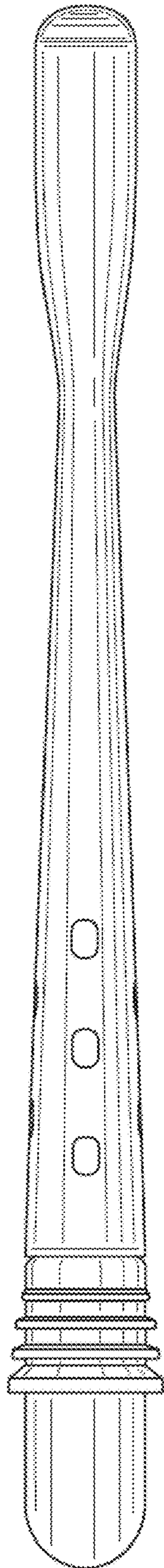
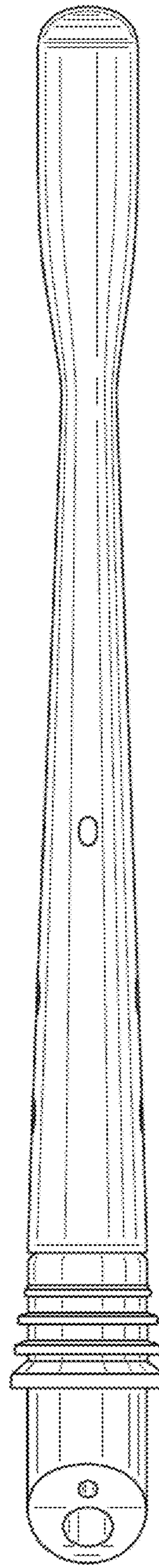


FIG. 6



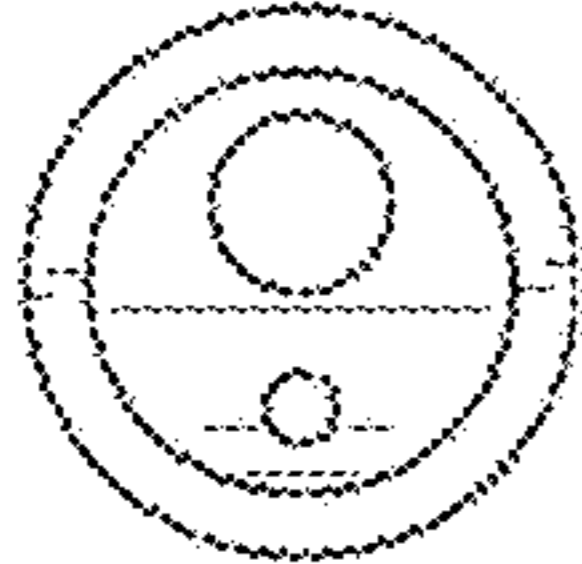


FIG. 7

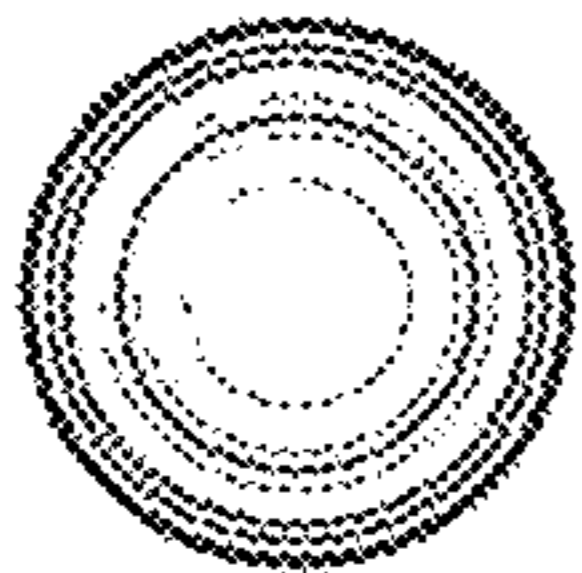


FIG. 8

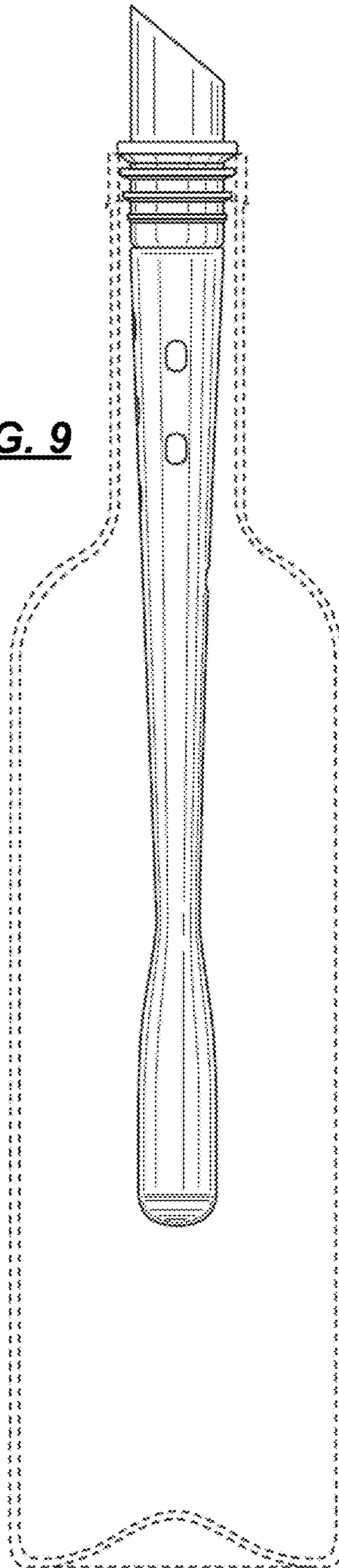


FIG. 9