



US00D829044S

(12) **United States Design Patent** (10) **Patent No.:** **US D829,044 S**
Slown (45) **Date of Patent:** **** Sep. 25, 2018**

(54) **CONTAINER LID HAVING DETACHABLE COMPARTMENTS FOR USE AS CUPS**

(71) Applicant: **Naho Slown**, San Diego, CA (US)

(72) Inventor: **Naho Slown**, San Diego, CA (US)

(**) Term: **15 Years**

(21) Appl. No.: **29/553,328**

(22) Filed: **Jan. 31, 2016**

(51) **LOC (11) Cl.** **07-01**

(52) **U.S. Cl.**
USPC **D7/392.1; D7/391**

(58) **Field of Classification Search**
USPC D3/202, 203.1, 203.2, 273, 275, 294, D3/318; D7/216, 300, 300.1, 313, 314, D7/316, 317, 387, 391, 392.1, 393, 396.2, D7/397, 398, 401.1, 509, 510, 511, 523, D7/525-531, 538, 541, 549, 629, 703, D7/900; D9/434-454, 686, 688, 690, D9/723, 724, 763; D8/349, 350, 352; D24/112, 121, 122, 127, 129, 199, 216, D24/224; D28/7, 76, 78, 82, 85, 91; D23/206, 249, 259, 260; D34/1, 7, 10, D34/11, 39
CPC A47F 1/12; B65D 50/00; B65D 50/041; B65D 23/00; B65D 1/00; B65D 1/0009; B65D 83/06; B65D 41/00; B65D 41/02; B65D 41/005023; B65D 41/026; B65D

(Continued)

(56) **References Cited**

U.S. PATENT DOCUMENTS

D126,233 S * 4/1941 Bartsch D7/549
3,107,027 A * 10/1963 Hong B65D 1/36
206/546

(Continued)

FOREIGN PATENT DOCUMENTS

DE 9412239 U1 * 9/1994 A47G 19/24

OTHER PUBLICATIONS

http://www.chemicalguys.com/Gamma_Seal_Lid_p/iai_502.htm, Mar. 30, 2014.*

(Continued)

Primary Examiner — Jennifer Rivard
Assistant Examiner — Catherine S Posthauer
(74) *Attorney, Agent, or Firm* — LambentIP

(57) **CLAIM**

The ornamental design for a container lid having detachable compartments for use as cups, as shown and described.

DESCRIPTION

FIG. 1 is a perspective view of a container lid having detachable compartments for use as cups, according to a first embodiment of my design, shown in use with environmental subject matter of an exemplary container and exemplary popcorn.

FIG. 2 is an alternative perspective view thereof, shown independent of the exemplary container, and showing the compartments detached for clarity of disclosure.

FIG. 3 is a top view thereof, with the exemplary container and popcorn removed for clarity of disclosure.

FIG. 4 is a bottom view thereof.

FIG. 5 is a front view of the article as shown in FIG. 1.

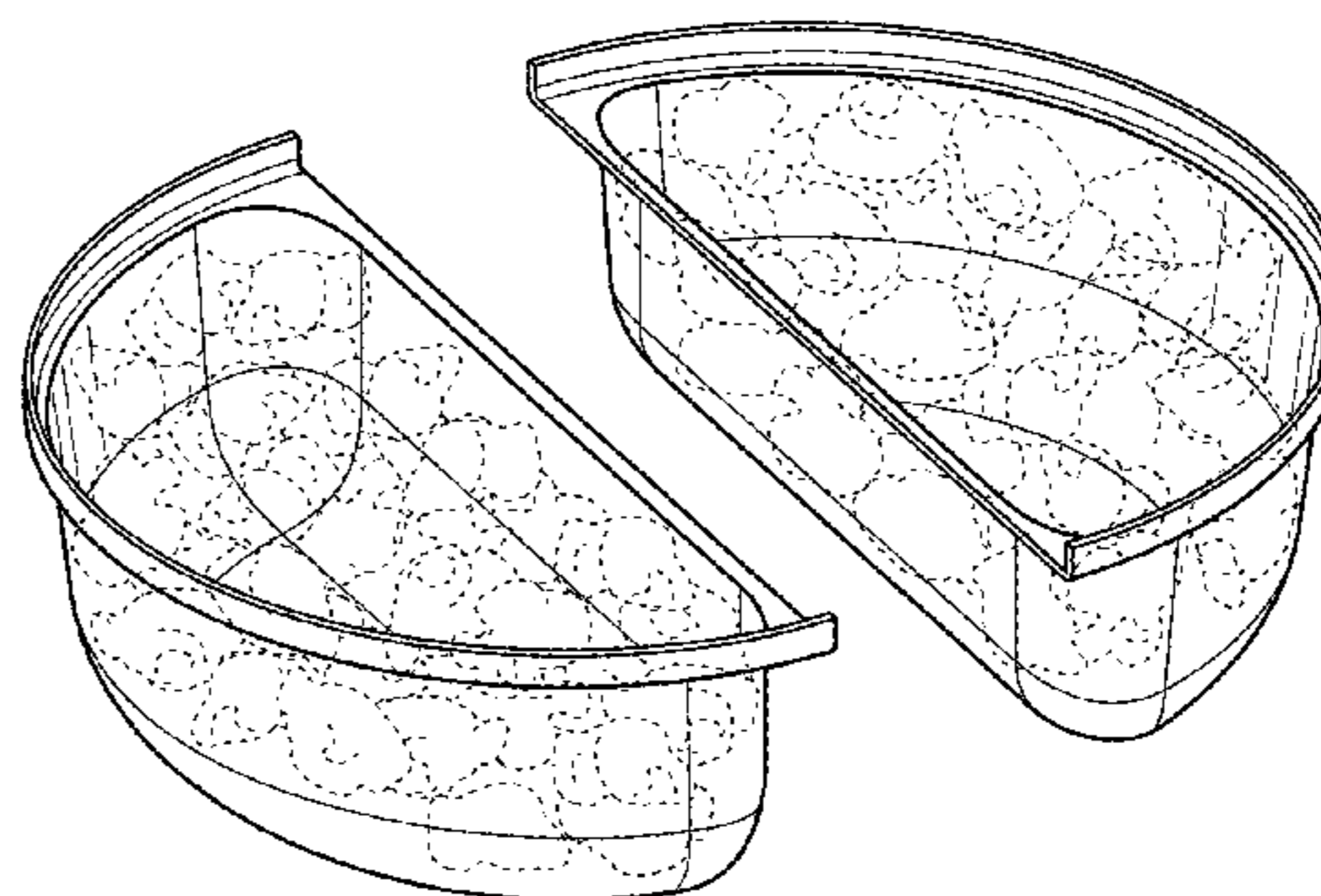
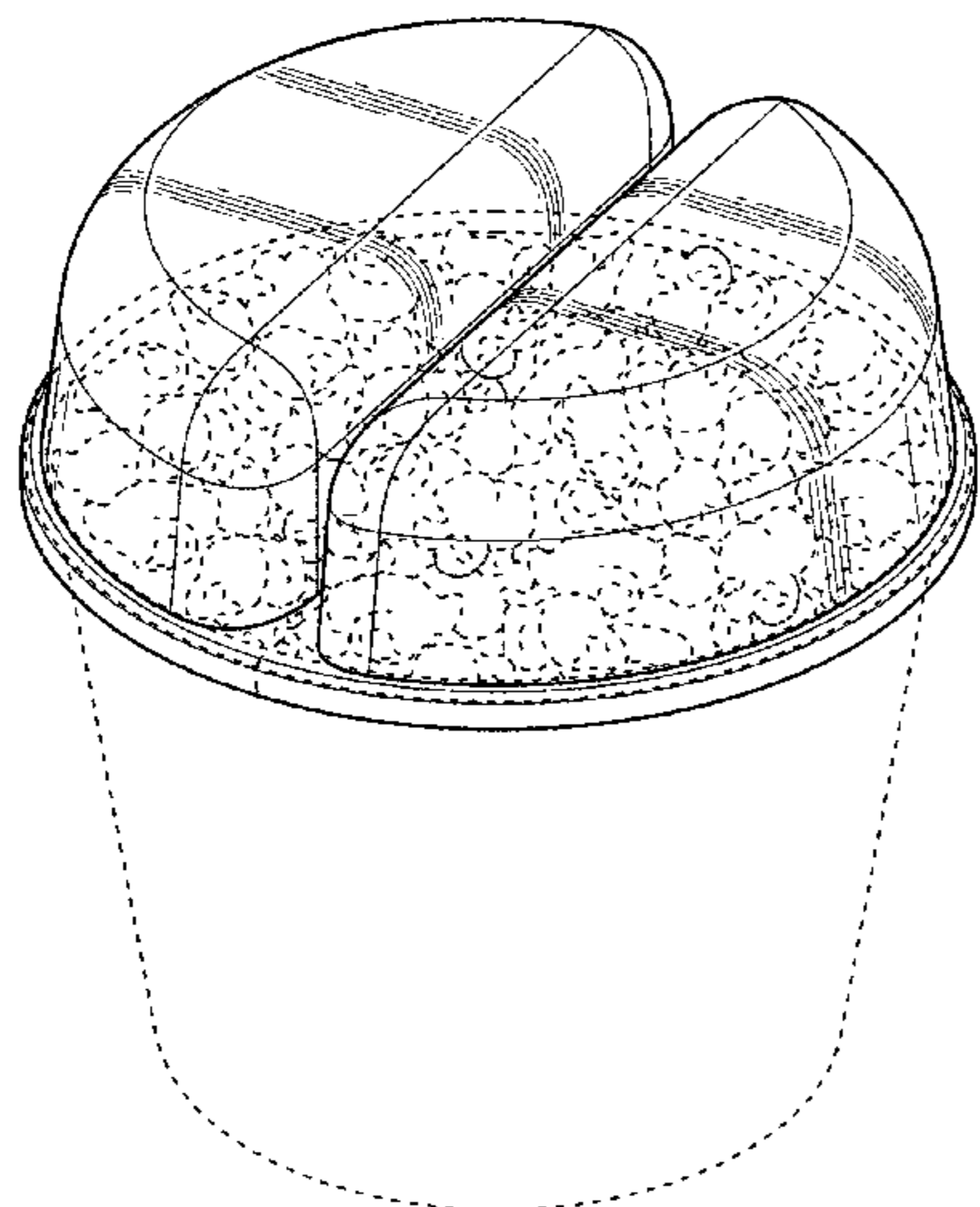
FIG. 6 is a top view thereof.

FIG. 7 is a front view of a container lid having detachable compartments for use as cups, according to a second embodiment; and,

FIG. 8 is a top view thereof.

The short evenly broken lines are shown for the purpose of illustrating environmental subject matter of an exemplary container and exemplary popcorn, none of which form part of the claim. The longer evenly broken lines represent exemplary separation lines and form no part of the claim.

1 Claim, 5 Drawing Sheets



(58) **Field of Classification Search**

CPC 41/0414; B65D 41/0421; B65D 41/0428;
 B65D 41/0476; B65D 41/0485; B65D
 41/0492; B65D 41/16; B65D 41/17;
 B65D 41/26; B65D 41/32; B65D 41/46;
 B65D 41/3428; B65D 51/18; B65D
 55/02; B65D 2101/00; B65D 2101/0023;
 B65D 2101/0069; B65D 2251/0015;
 B65D 2251/0087; B65D 2543/00092;
 B65D 2543/00296; B65D 2543/00509;
 B65D 5243/00527; B65D 2543/00537;
 B65D 2543/0533; B65D 2543/00629;
 B65D 2543/00685; B65D 2543/0074;
 B65D 2543/00759; B65D 2543/00805;
 B65D 2543/00814; B65D 2543/00046;
 B65D 2543/00231; B65D 2543/00842;
 B65D 43/0212; B65D 43/0256; B65D
 43/026; B65D 43/02; B65D 43/0202;
 B65D 47/265; B65D 53/00; B65D 53/02;
 B65D 53/04; A47G 19/2266; A47G
 19/22; A47G 19/23; A47G 19/2205;
 A47G 19/2222; A47G 19/2272; A47G
 19/2294; A47J 45/063; A47J 37/01; A47J
 36/06; A47J 36/10; A47J 36/14; A45C
 11/20; B01D 25/02; A44B 1/04

See application file for complete search history.

(56) **References Cited**

U.S. PATENT DOCUMENTS

D383,033 S * 9/1997 Pfirmann, Jr. D7/391
 D384,554 S * 10/1997 Ancona D7/505
 D392,882 S * 3/1998 Pfirmann, Jr. D9/425
 D395,985 S * 7/1998 Krupa D7/541
 D415,422 S * 10/1999 McCann D7/549
 D416,436 S * 11/1999 Miller D7/391
 D432,857 S * 10/2000 Ming-Shiue D7/392.1
 D451,018 S * 11/2001 Chen D9/425
 D486,358 S * 2/2004 Dais D7/629
 D489,579 S * 5/2004 Wright D7/629
 D508,378 S * 8/2005 Bertulis D7/629
 D508,379 S * 8/2005 Doliwa D7/629
 D551,091 S * 9/2007 Shahsavarani D9/737
 D552,487 S * 10/2007 Chou D9/428
 D562,135 S * 2/2008 Studee D9/452
 D573,836 S * 7/2008 Kay D7/392.1

D575,114 S * 8/2008 Moghavem D7/629
 D584,571 S * 1/2009 Roth D7/629
 D588,866 S * 3/2009 Ho D7/391
 D604,992 S * 12/2009 Klein D7/392.1
 D609,979 S * 2/2010 Soibel D7/610
 D625,149 S * 10/2010 Stamper D7/538
 D626,863 S * 11/2010 Lovett D9/424
 D630,905 S * 1/2011 Cornu D7/538
 D659,023 S * 5/2012 Hsu D9/737
 D660,659 S * 5/2012 Cohen D7/629
 D665,675 S * 8/2012 Wu D7/629
 D708,009 S * 7/2014 Gillette D7/378
 D709,366 S * 7/2014 Fleming D9/435
 8,770,431 B1 * 7/2014 Glaser B65D 71/70
 220/521
 D715,590 S * 10/2014 Mangano D7/354
 D719,445 S * 12/2014 Caneer D9/447
 D733,962 S * 7/2015 Sunder D28/8.1
 D750,973 S * 3/2016 McSweeney D9/756
 D779,119 S * 2/2017 Johnson D28/8.1
 D782,333 S * 3/2017 Shoshan D9/737
 D787,273 S * 5/2017 Ortiz D7/541
 D795,069 S * 8/2017 Haddad D7/392.1
 D795,071 S * 8/2017 Haddad D9/454
 D795,072 S * 8/2017 Haddad D9/454
 9,751,665 B2 * 9/2017 Fleming B65D 47/2056
 2004/0026430 A1 * 2/2004 Baker B65D 1/36
 220/575
 2011/0226768 A1 * 9/2011 Sexton B65D 47/265
 220/252
 2014/0374423 A1 * 12/2014 Kui B65D 43/0212
 220/574.3
 2015/0272359 A1 * 10/2015 Oakes B65D 39/00
 220/254.1
 2016/0260352 A1 * 9/2016 Ortiz G09B 19/0092

OTHER PUBLICATIONS

Newspring Compartmented Container with Lid: Announced Aug. 22, 2009. Site Visited Jan. 20, 2018. Available from Internet URL: <https://www.webstaurantstore.com/newspring-nc-9388-b-black-39-oz-versatainer-9-x-1-1-2-round-microwavable-3-compartment-container-with-lid-case/128NC9388B%20%20COMBO150.html>.
 ClearMax All in One Salad 2 Go Container: Announced Feb. 11, 2013. Site visited Jan. 20, 2018. Available from Internet URL: https://www.amazon.com/ClearMax-Salad-Container-Attachable-Fork/dp/B008EYID0Y/ref=sr_1_sc_1?ie=UTF8&qid=1516576535&sr=8-1-spell&keywords=ClearMax+allin+one+salad+2+go+container.

* cited by examiner

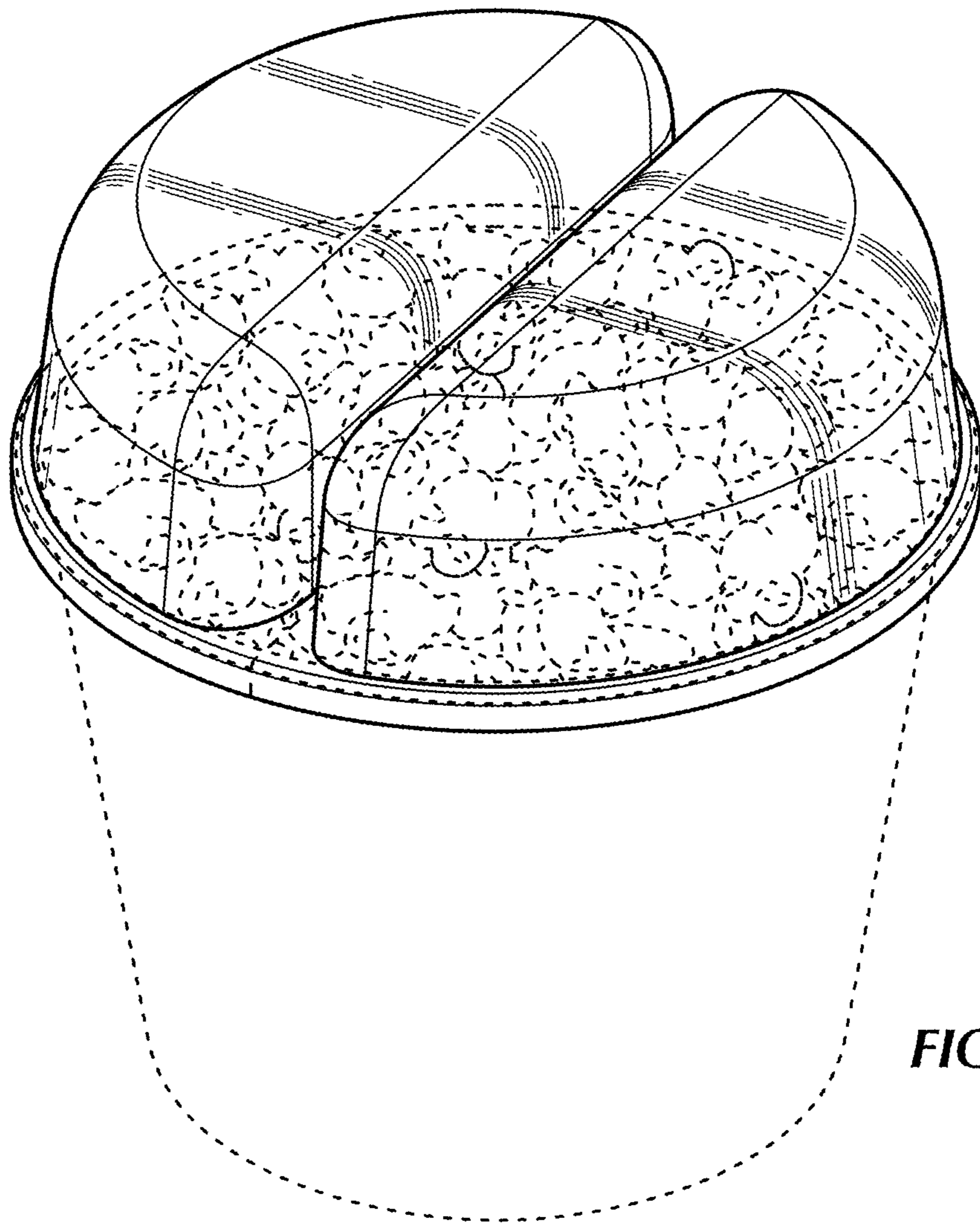


FIG. 1

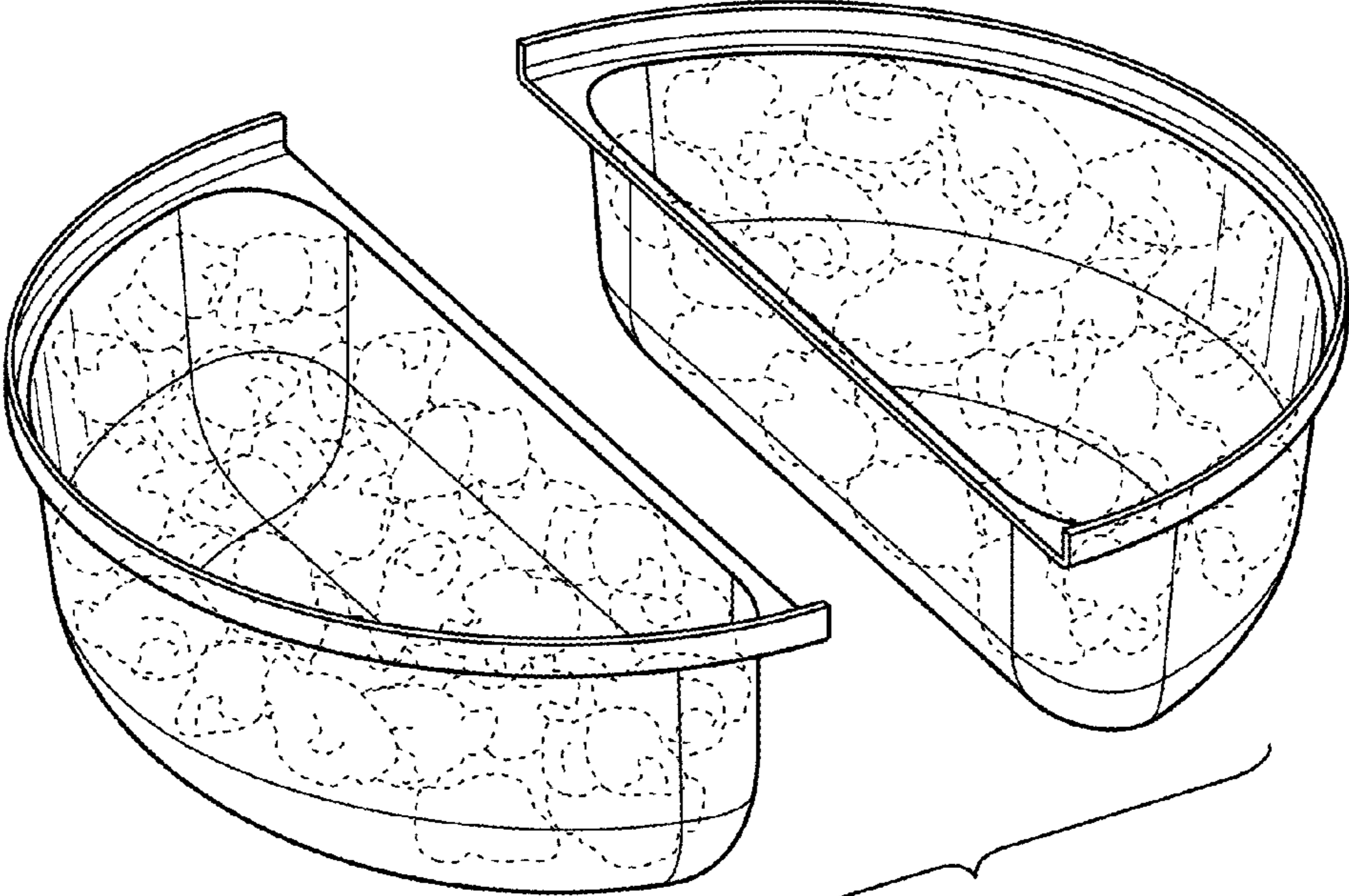


FIG. 2

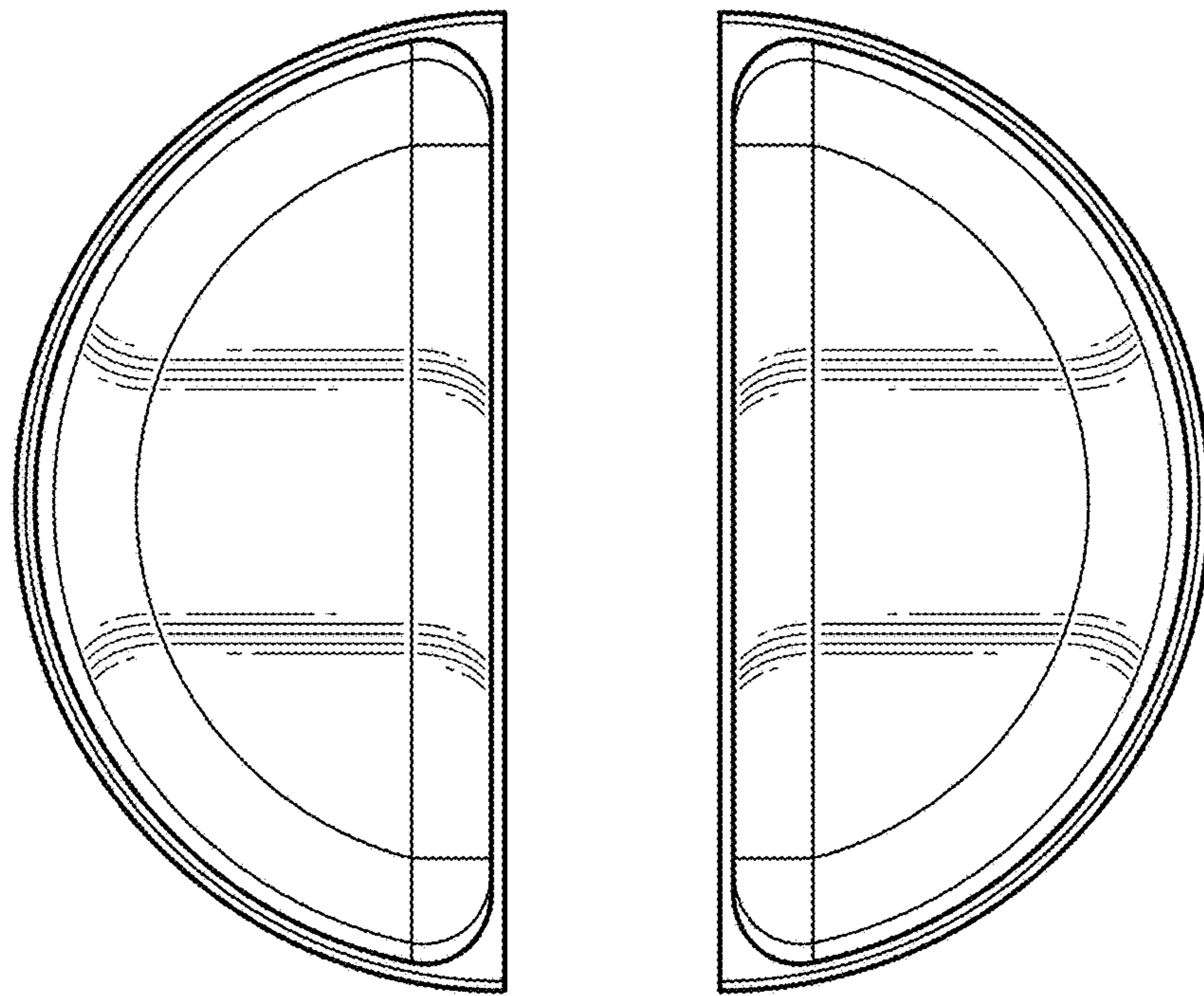


FIG. 3

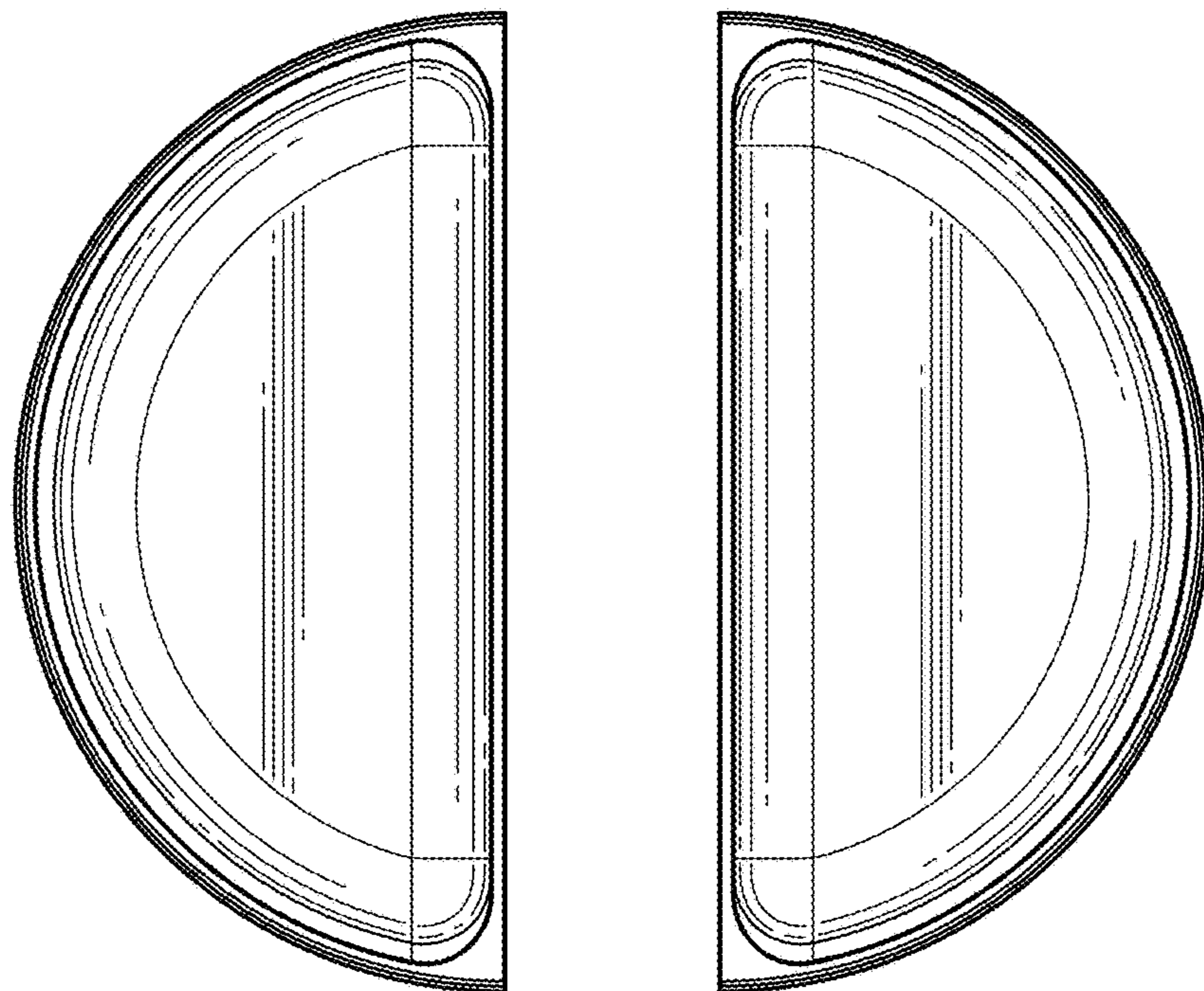


FIG. 4

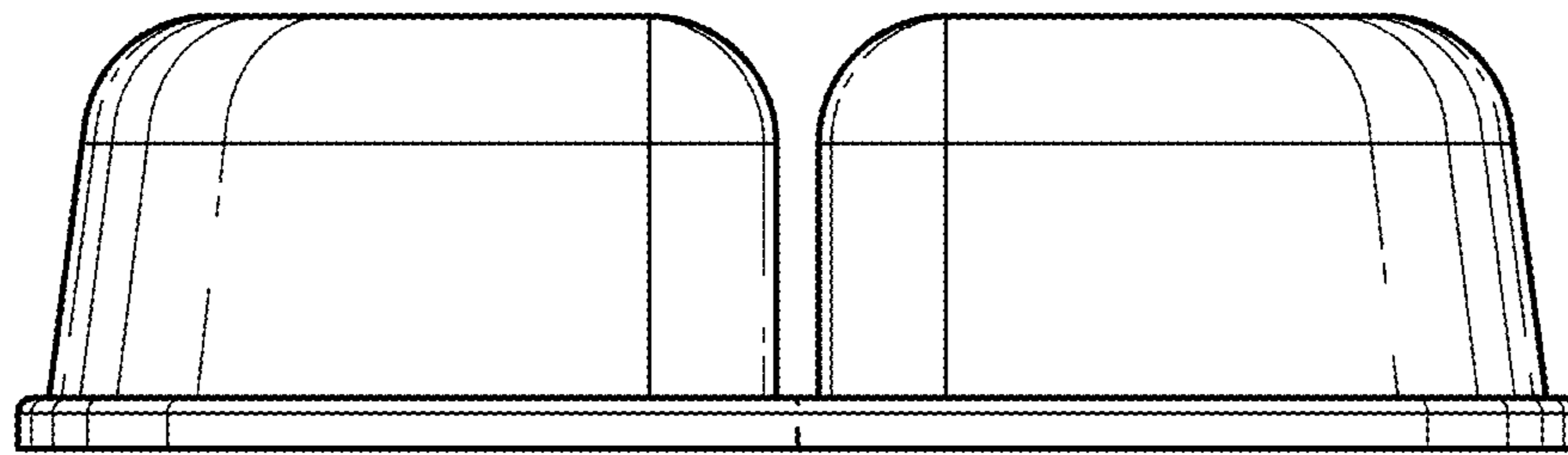


FIG. 5

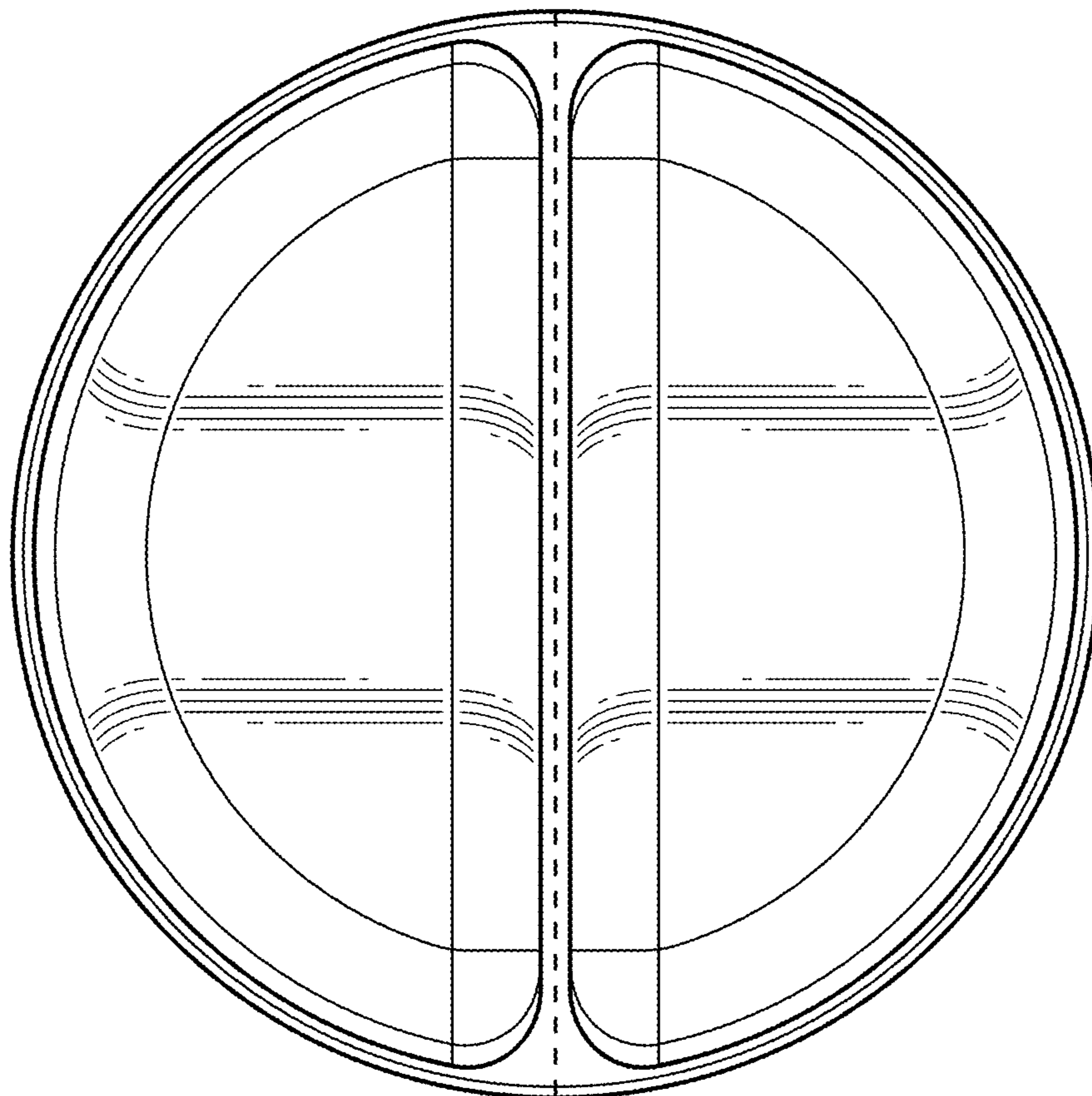


FIG. 6

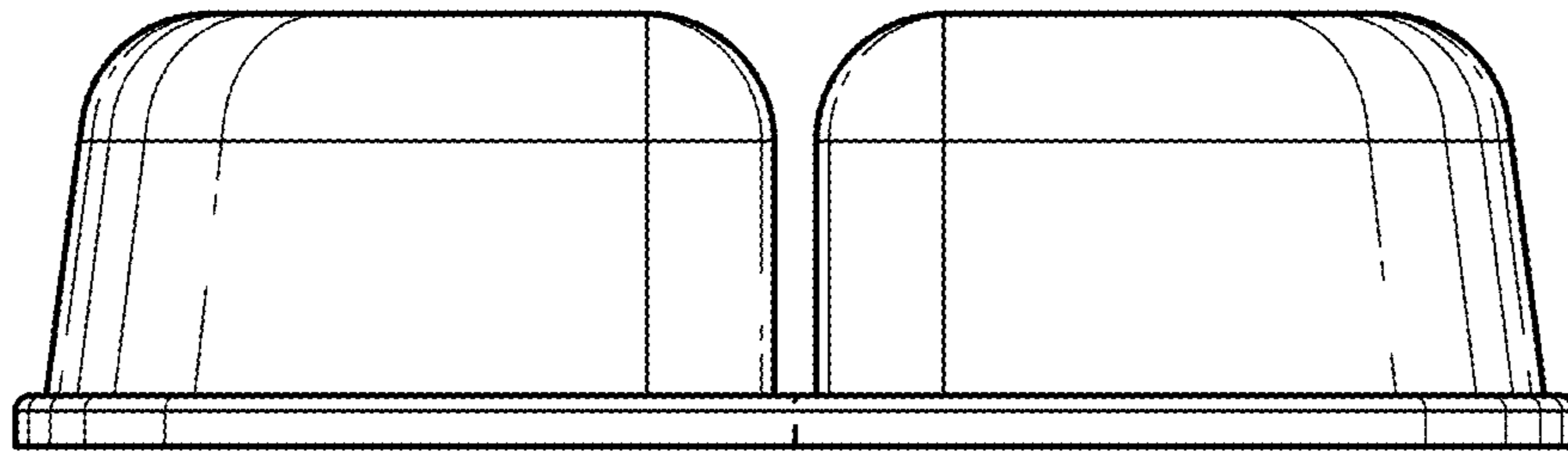


FIG. 7

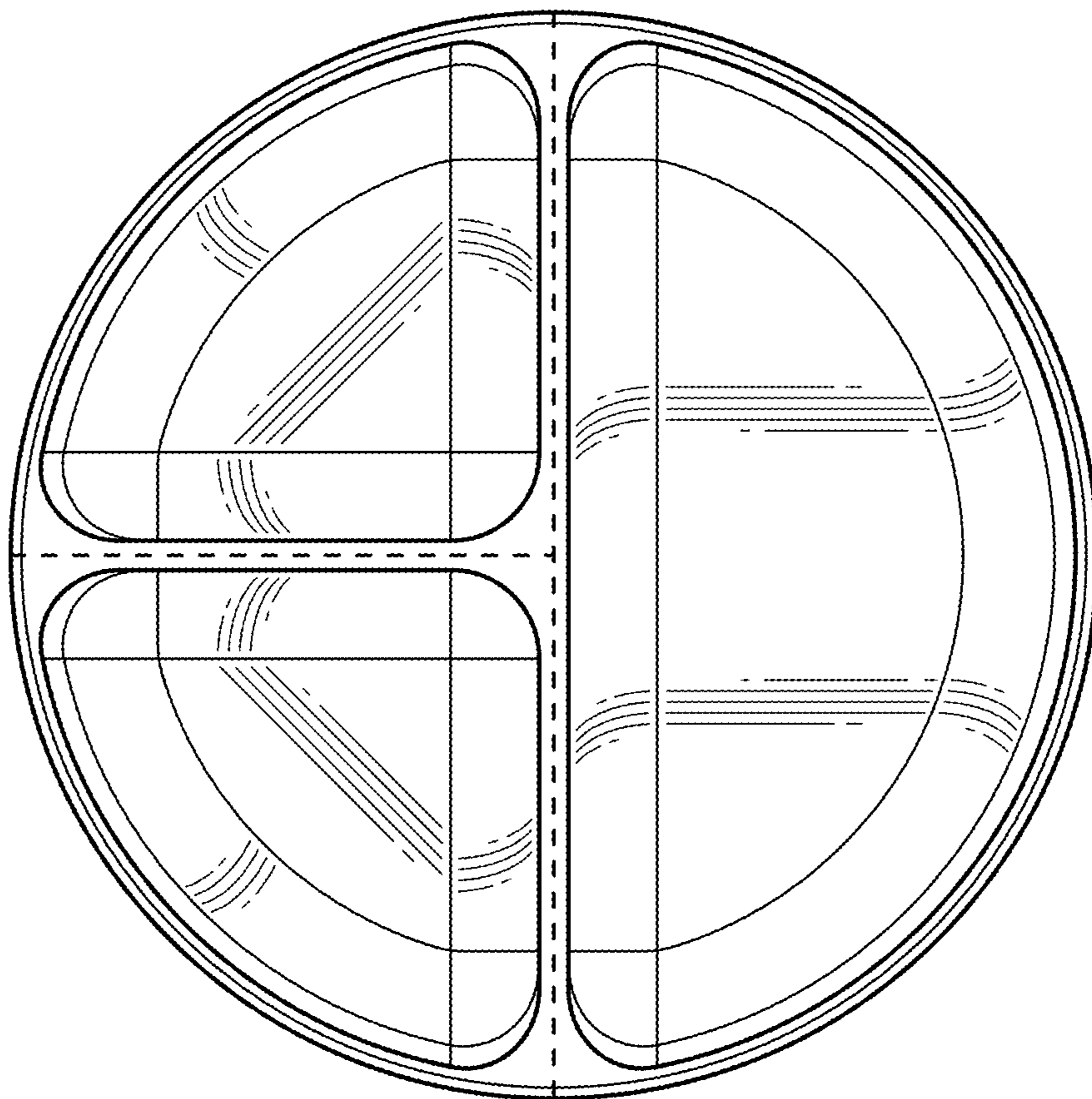


FIG. 8