



US00D829043S

(12) **United States Design Patent** (10) **Patent No.:** **US D829,043 S**
Ren (45) **Date of Patent:** **** Sep. 25, 2018**

(54) **FOOD SLICER**

OTHER PUBLICATIONS

(71) Applicant: **Cixi Gstar Electric Appliance Co., Ltd.**, Ningbo, Zhejiang (CN)

(72) Inventor: **Jianke Ren**, Zhejiang (CN)

(73) Assignee: **Cixi Gstar Electric Appliance Co., Ltd.**, Ningbo (CN)

(**) Term: **15 Years**

(21) Appl. No.: **29/591,006**

(22) Filed: **Jan. 16, 2017**

(51) **LOC (11) Cl.** **31-00**

(52) **U.S. Cl.**
USPC **D7/384**

(58) **Field of Classification Search**
USPC D7/316, 323, 368, 372, 373, 376,
D7/378-384, 386, 390, 393, 403, 412,
D7/602, 624, 626, 629, 665-666, 673,
D7/675, 679, 693-694; 83/52; 99/537
CPC B26D 3/11; B26D 1/03; A47J 43/00; A47J
43/0722; A47J 43/0727; A47J 43/075;
A47J 43/046; A47J 43/044; A47J 43/06;
A47J 43/07; A21C 1/04; A21C 1/02
See application file for complete search history.

(56) **References Cited**

U.S. PATENT DOCUMENTS

D388,665 S *	1/1998	So	D7/381
D747,916 S *	1/2016	Wong	D7/381
D782,244 S *	3/2017	Harris	D7/376
D784,070 S *	4/2017	Harris	D7/376
9,731,428 B2 *	8/2017	Levine	B26D 3/11
D809,881 S *	2/2018	Exley	D7/693

“Muller-Spiral”, posted Apr. 5, 2015 [online], [retrieved Apr. 11, 2018]. Retrieved from internet, https://www.amazon.com/Mueller-Spiral-Ultra-Spiralizer-Heavy-Duty/product-reviews/B00QDHWFZM/ref=cm_cr_getr_d_paging_btm_430?ie=UTF8&reviewerType=all_reviews&sortBy=recent&pageNumber=430.*

“Lurch Spirali Spiralizer”, posted Jul. 4, 2015 [online], [retrieved Apr. 11, 2018]. Retrieved from internet, <https://www.ukjuicers.com/product-reviews/lurch-spirali-spiralizer>.*

* cited by examiner

Primary Examiner — Barbara Fox
Assistant Examiner — Mehri F Bajoul

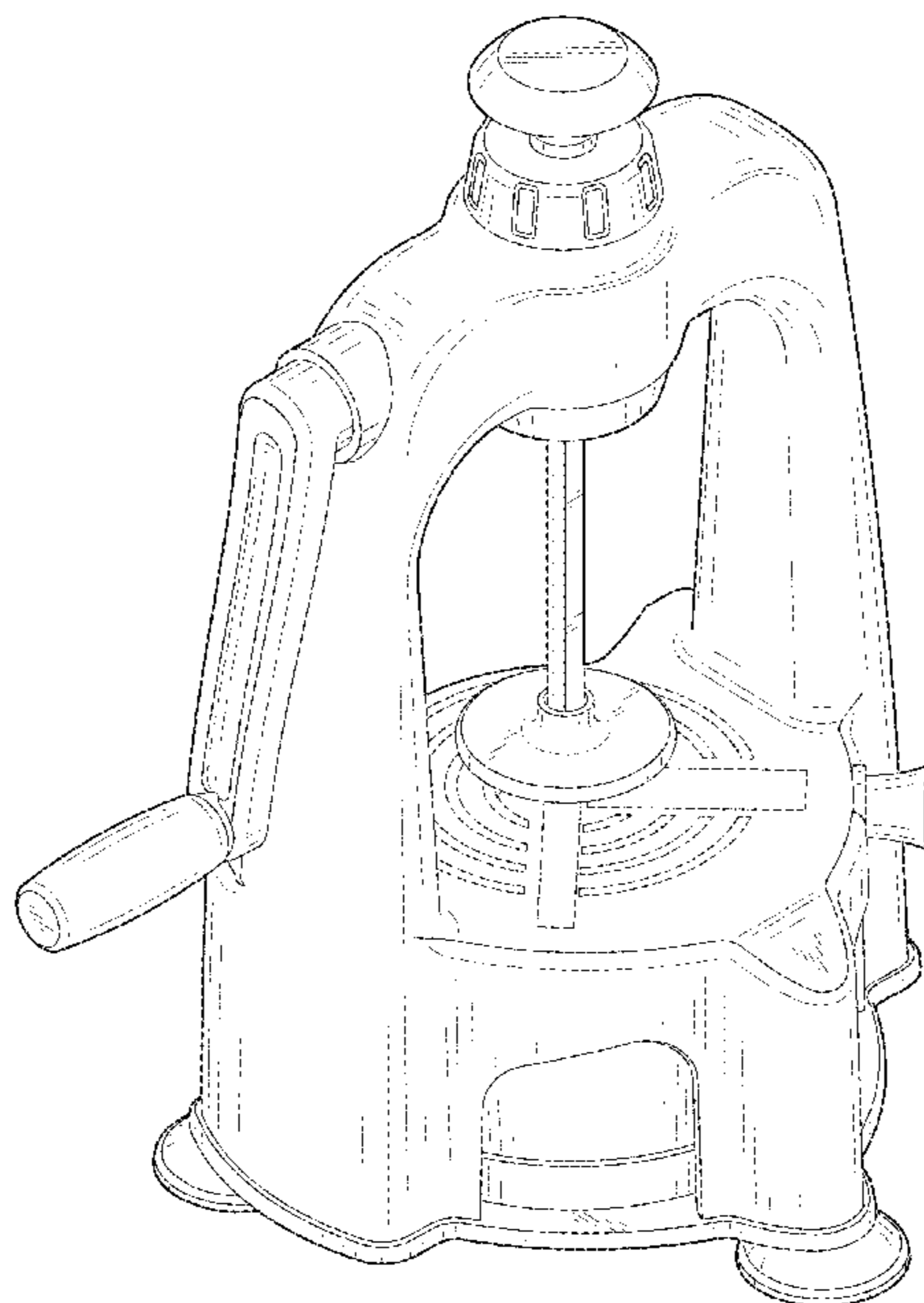
(57) **CLAIM**

The ornamental design for a food slicer, as shown and described.

DESCRIPTION

FIG. 1 is a front elevational view of a slicer showing my new design;
FIG. 2 is a rear elevational view thereof;
FIG. 3 is a left side view thereof;
FIG. 4 is a right side view thereof;
FIG. 5 is a top plan view thereof;
FIG. 6 is a bottom plan view thereof;
FIG. 7 is a first perspective view thereof;
FIG. 8 is a second perspective view thereof; and,
FIG. 9 is a third perspective view thereof.
The broken lines in the drawings illustrate portions of the food slicer which form no part of the claimed design.

1 Claim, 9 Drawing Sheets



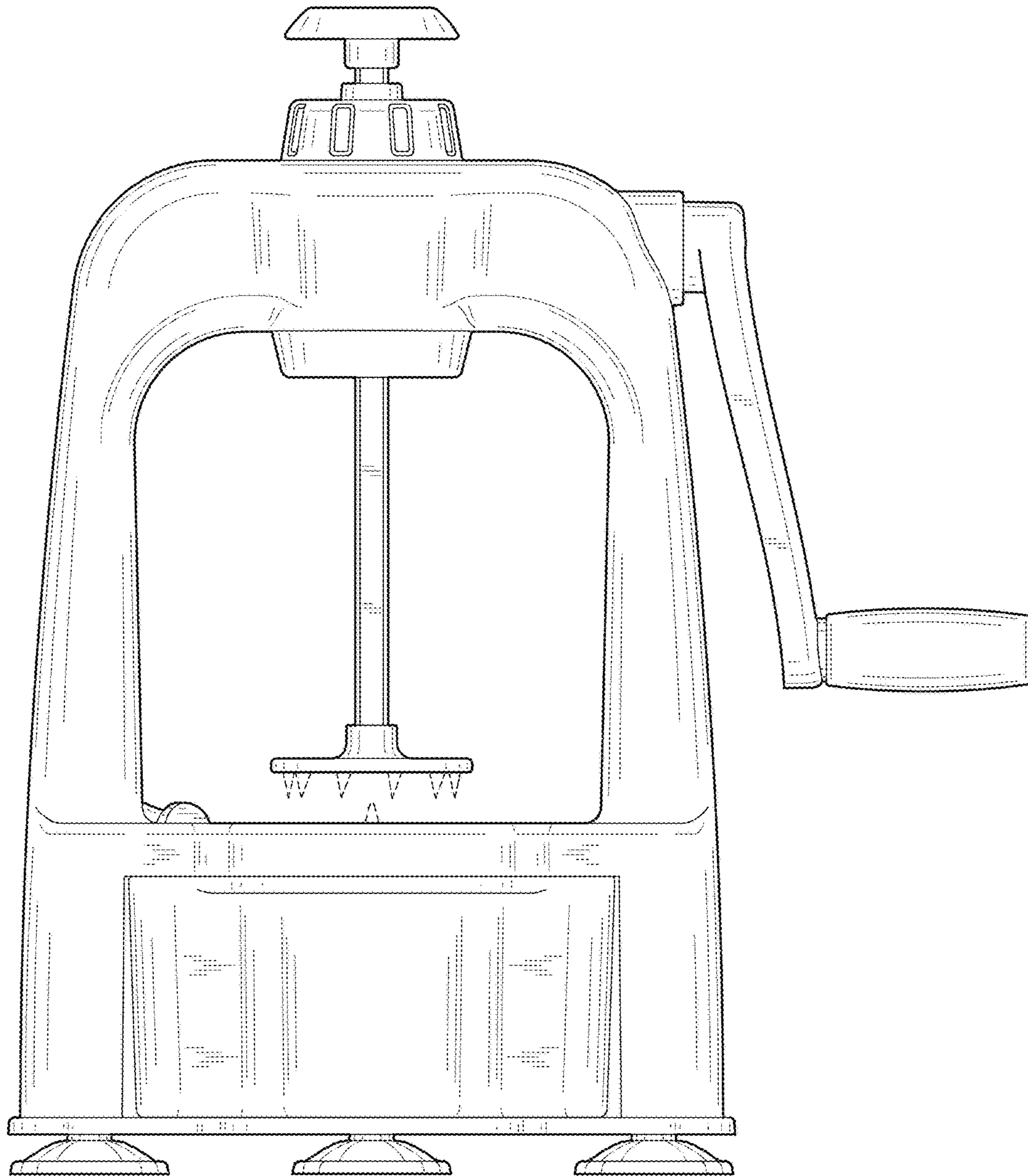


Fig. 1

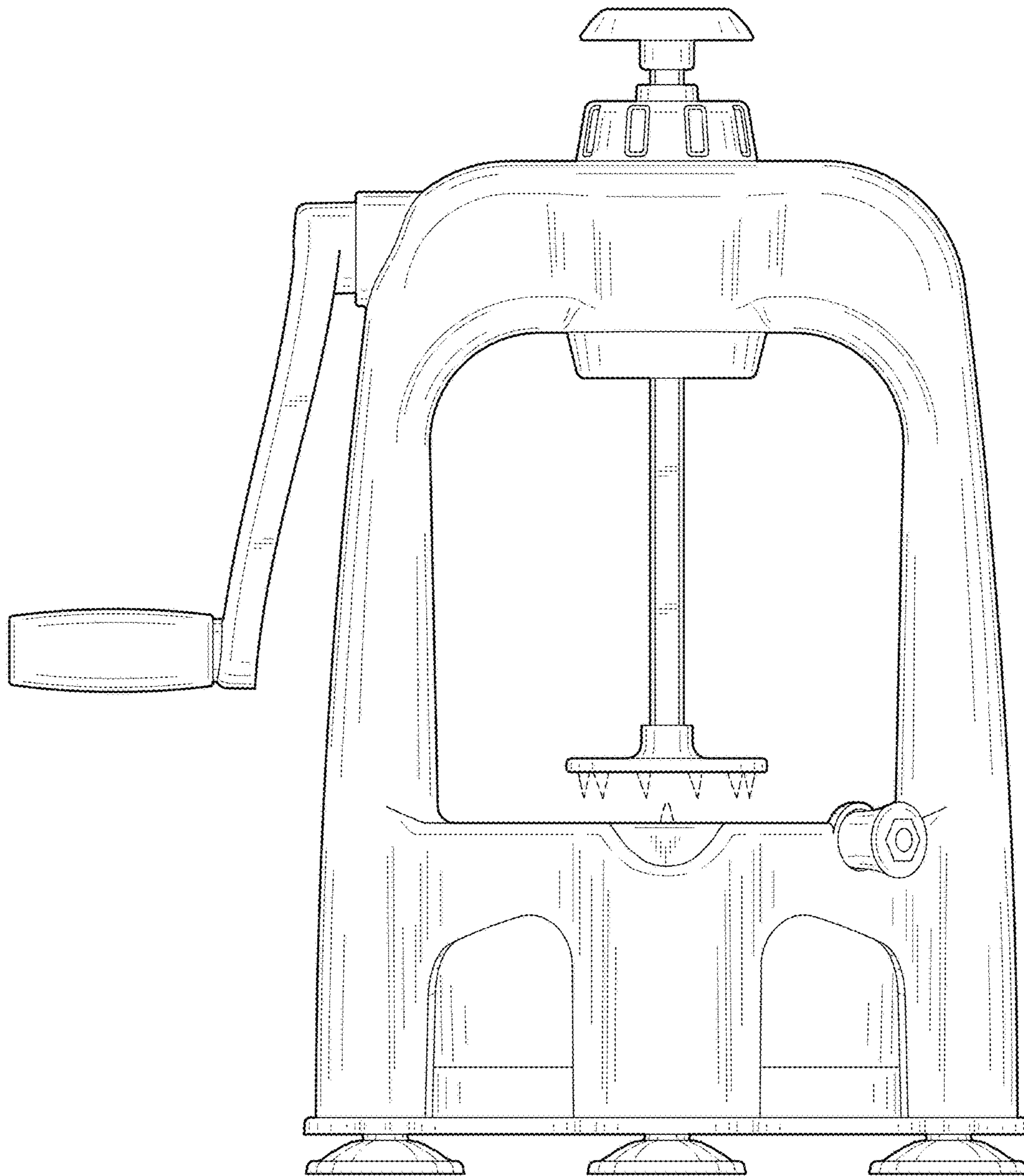


Fig. 2

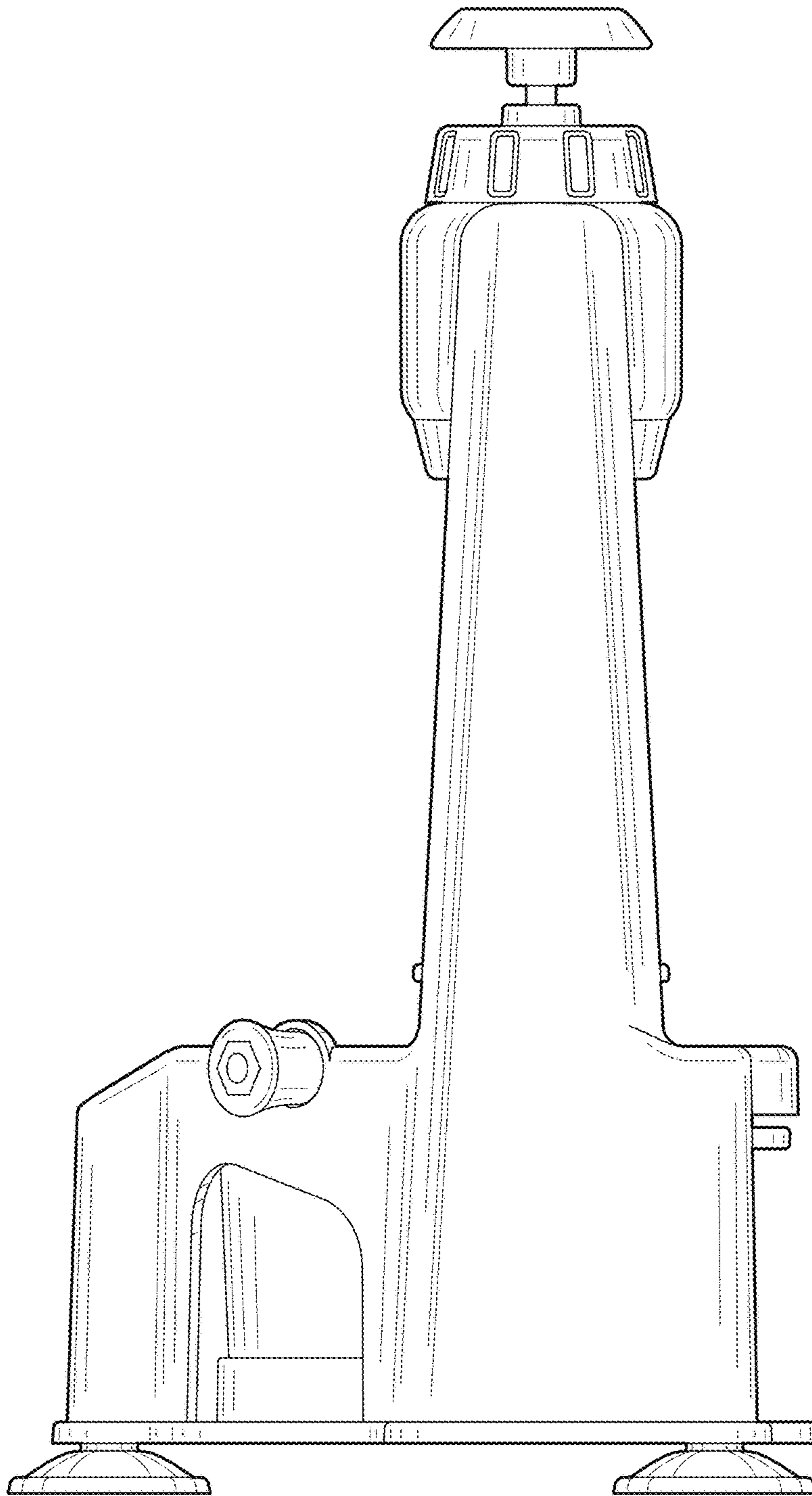


Fig. 3

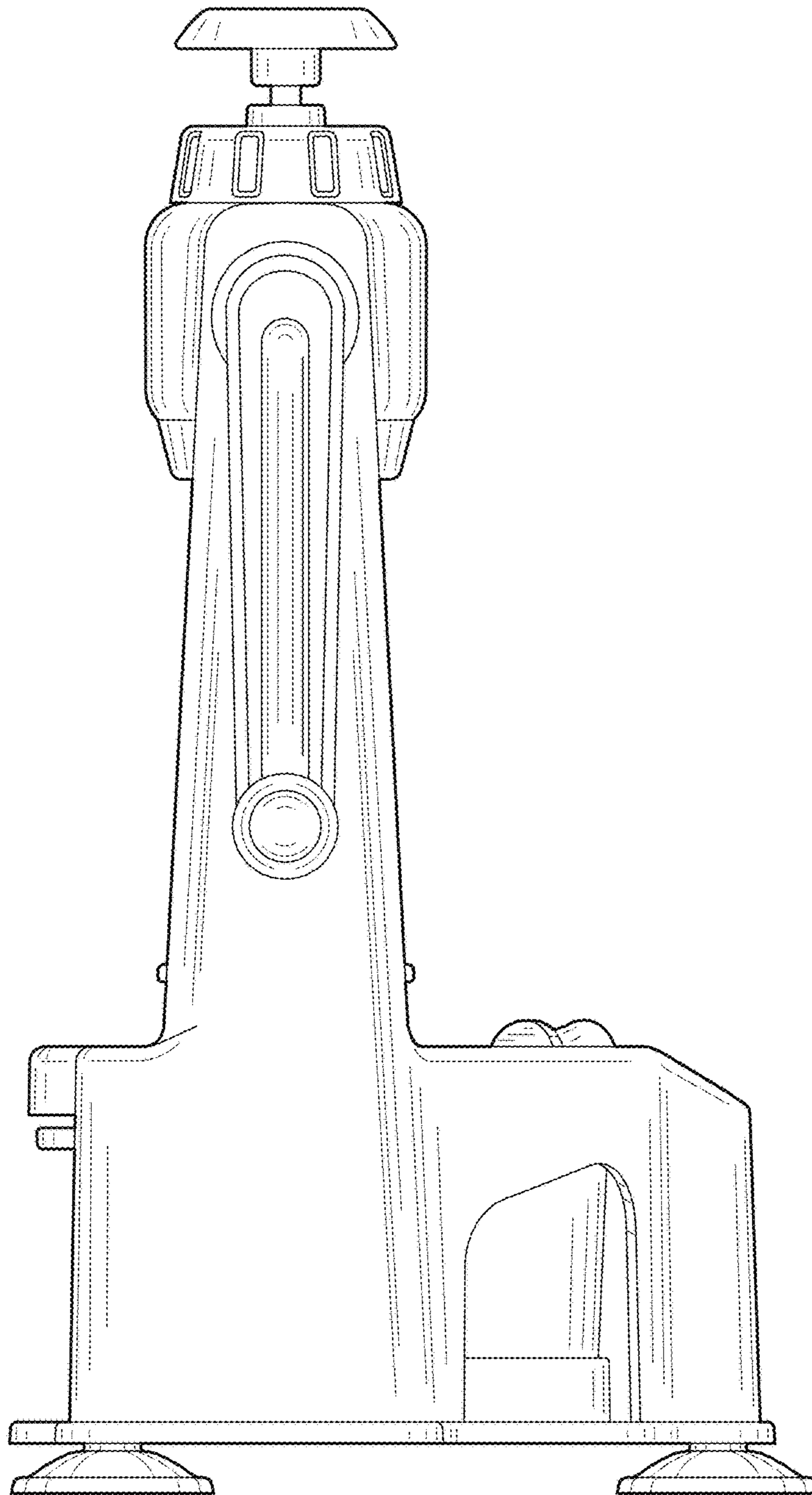


Fig. 4

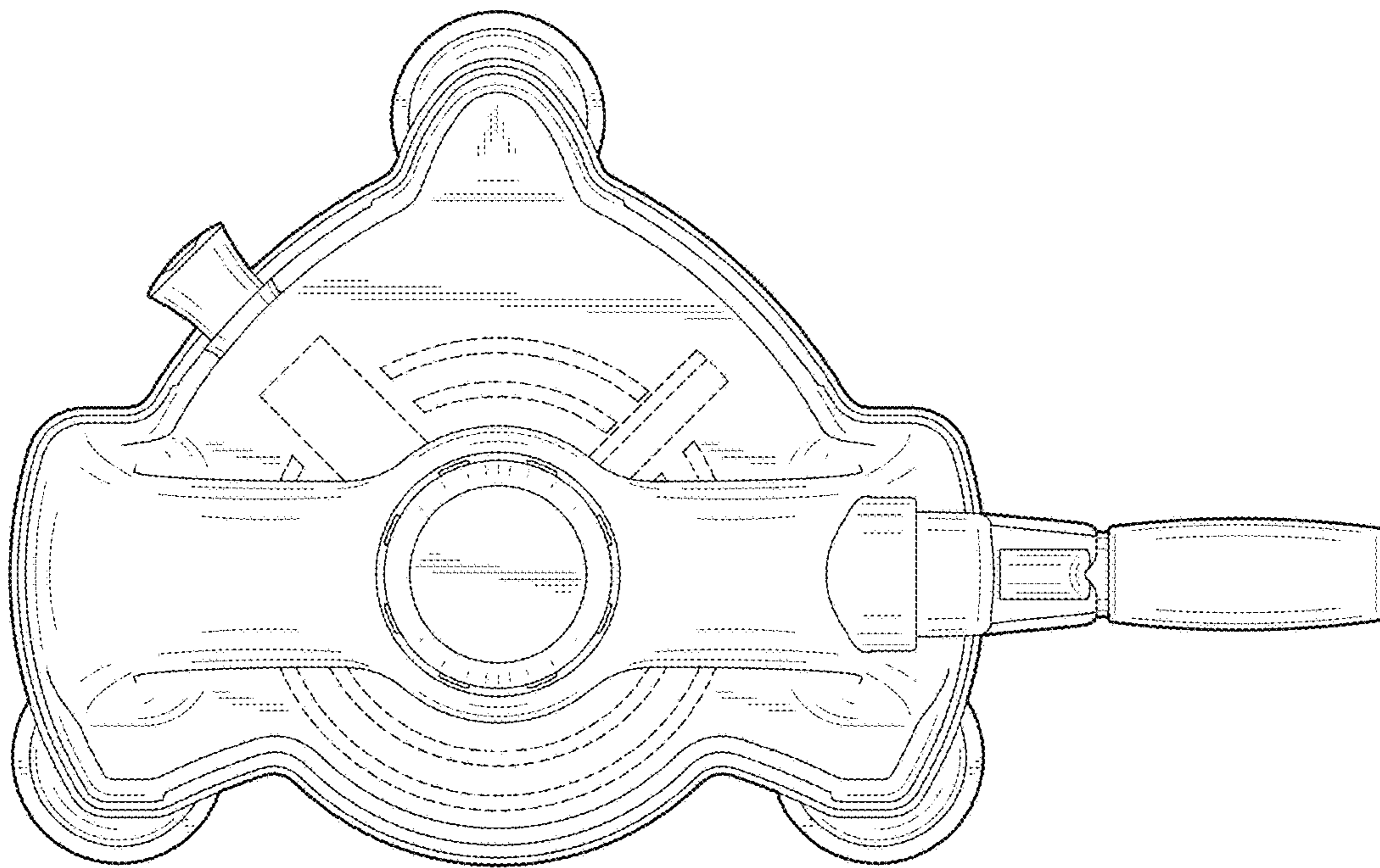


Fig. 5

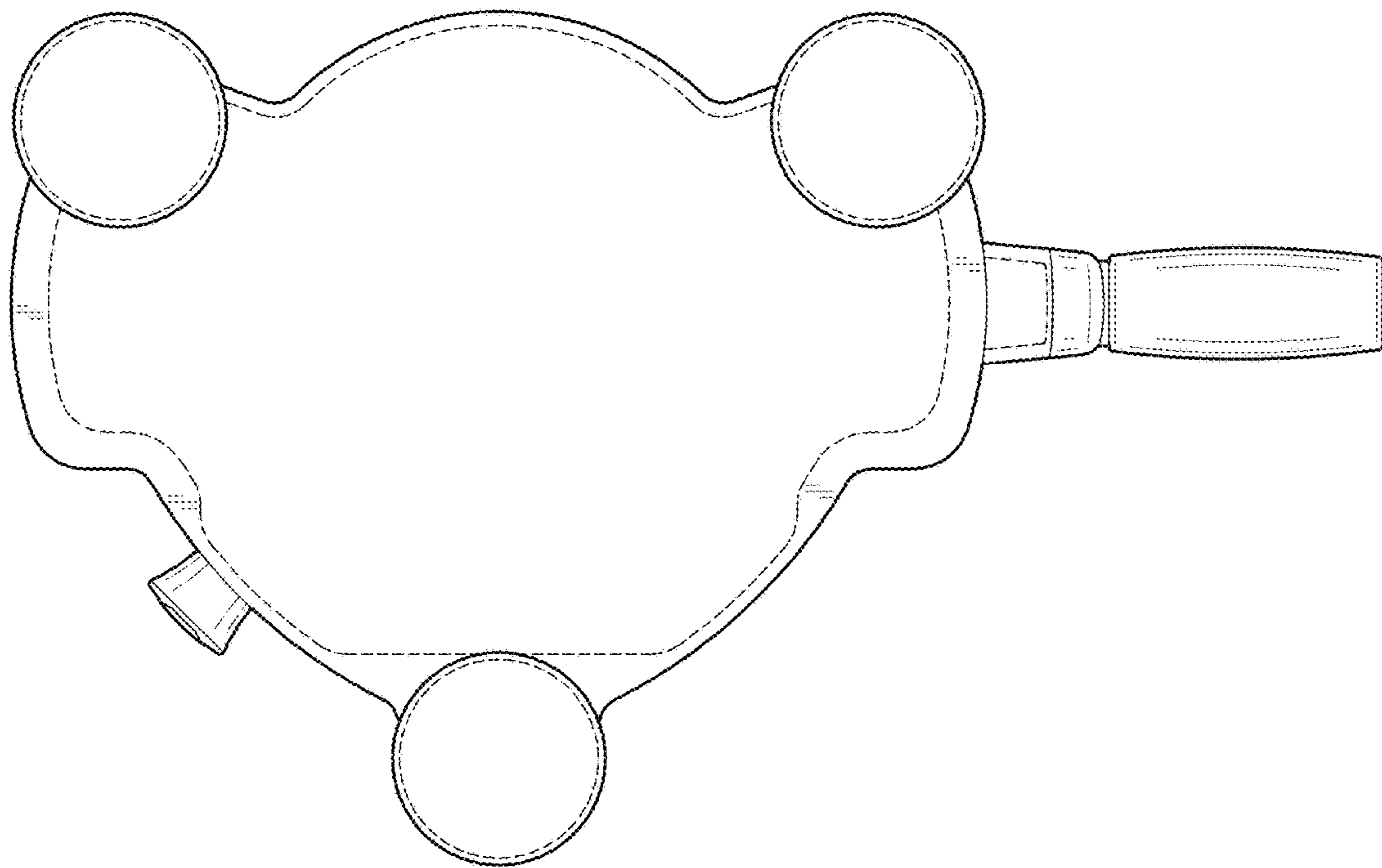


Fig. 6

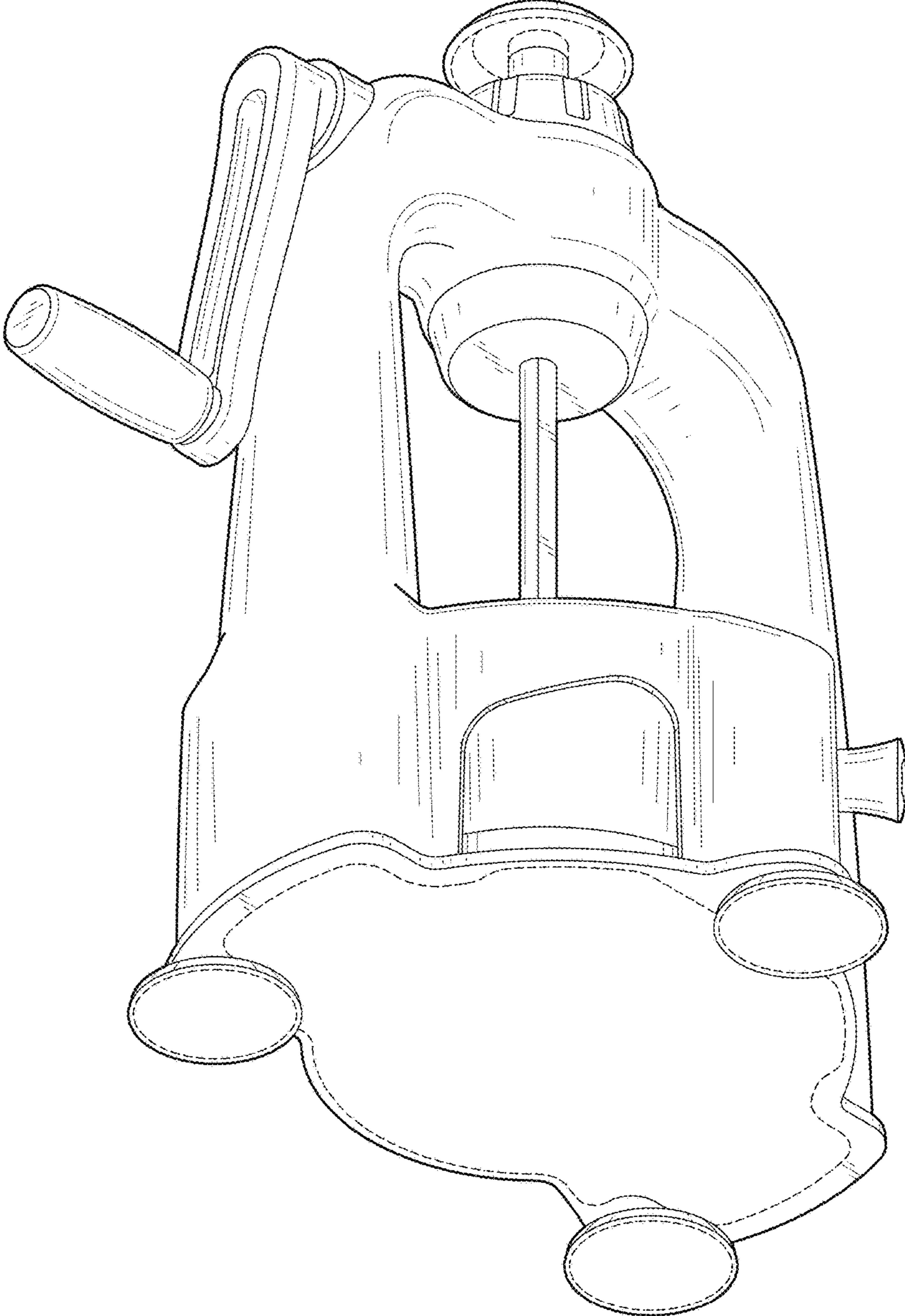


Fig. 7

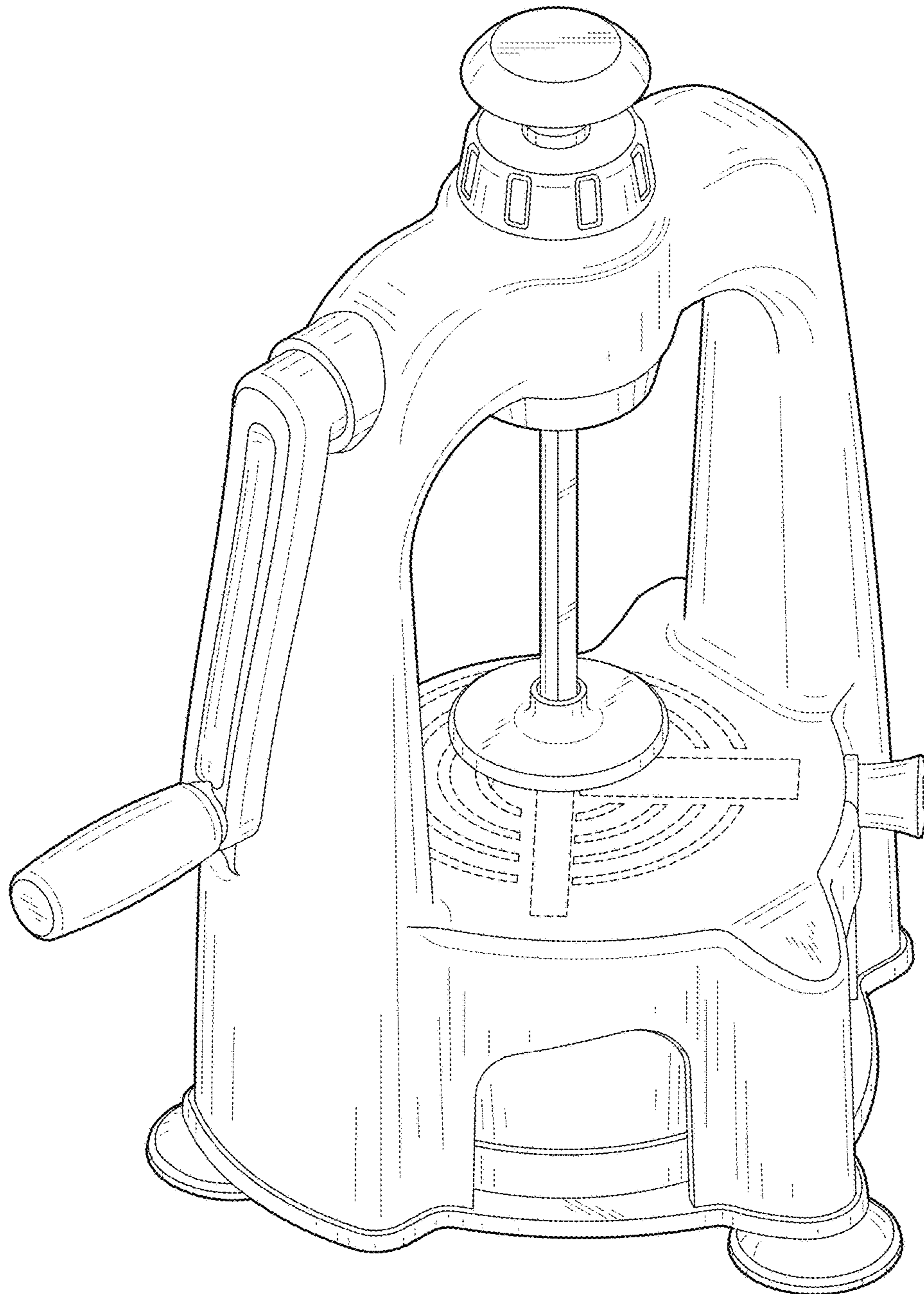


Fig. 8

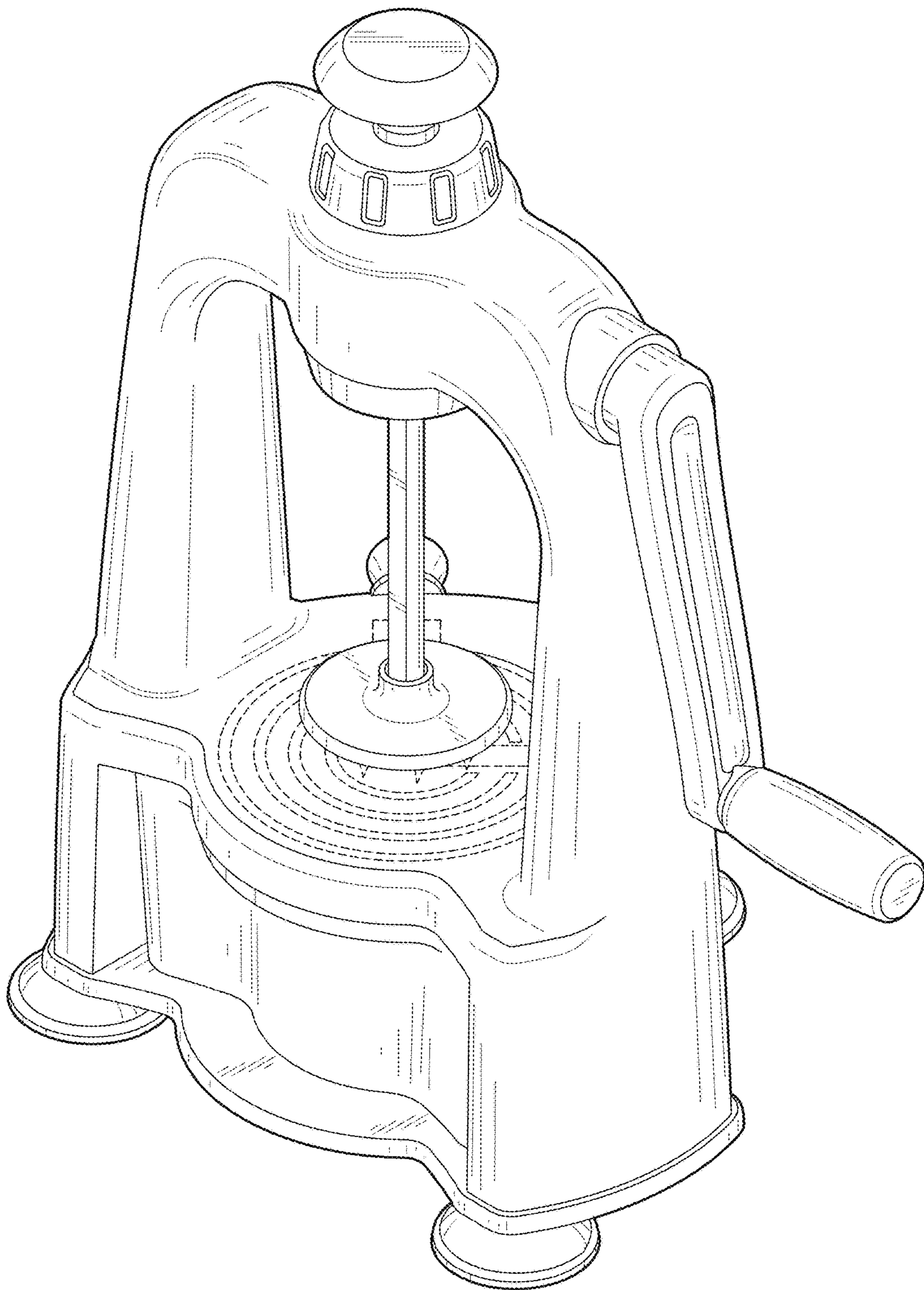


Fig. 9