



US00D829038S

(12) **United States Design Patent**
Mishan

(10) **Patent No.:** **US D829,038 S**

(45) **Date of Patent:** **** Sep. 25, 2018**

(54) **FRY BASKET**

(71) Applicant: **E. MISHAN & SONS, INC.**, New York, NY (US)

(72) Inventor: **Steven Mishan**, New York, NY (US)

(73) Assignee: **E. MISHAN & SONS, INC.**, New York, NY (US)

(**) Term: **15 Years**

(21) Appl. No.: **29/621,888**

(22) Filed: **Oct. 12, 2017**

(51) **LOC (11) Cl.** **07-02**

(52) **U.S. Cl.**
USPC **D7/361; D7/354; D7/360; D7/409**

(58) **Field of Classification Search**
USPC D3/306; D6/566; D7/323, 332, D7/335-337, 354-355, 359-364, D7/387-388, 402, 407-409; D8/373; D12/223; D24/128

CPC A21B 2/00; A21B 3/00; A21B 3/13; A21B 3/15; A21B 5/00; A21B 5/02; A23N 12/06; A23N 12/08; A23N 12/10; A47J 37/00; A47J 37/04; A47J 37/041; A47J 37/042; A47J 37/06; A47J 37/0688; A47J 37/0694; A47J 37/07; A47J 37/0704; A47J 37/10; A47J 37/1295; A47J 47/20; A47J 2037/00; A47J 2037/06; A47J 2037/0611; A47J 2037/07; A47J 2037/0786; A47J 2037/0795; B65D 7/20; F24C 15/10; F24C 15/12; F24C 15/14; F24C 15/16; F24C 15/164; F24C 15/18
See application file for complete search history.

(56) **References Cited**

U.S. PATENT DOCUMENTS

201,959 A * 4/1878 Stockwell B65D 7/20
220/485
3,707,015 A 12/1972 Maynard

D242,947 S 1/1977 Graham
4,730,758 A 3/1988 McMurtrey
4,854,227 A 8/1989 Koopman
D373,039 S * 8/1996 Cohen D6/566
5,992,306 A 11/1999 Chiang
6,398,066 B1 6/2002 Mullins
7,341,162 B2 3/2008 Svabek et al.

(Continued)

FOREIGN PATENT DOCUMENTS

CN 200730151979 S 7/2007
CN 201101443 Y 8/2008

(Continued)

OTHER PUBLICATIONS

Gourmia Tri-Basket 4.2 qt. Electric Deep Fryer, Bed Bath & Beyond Deep Fryer advertisement, 2017.

(Continued)

Primary Examiner — Ricky Pham

(74) *Attorney, Agent, or Firm* — Notaro, Michalos & Zaccaria P.C.

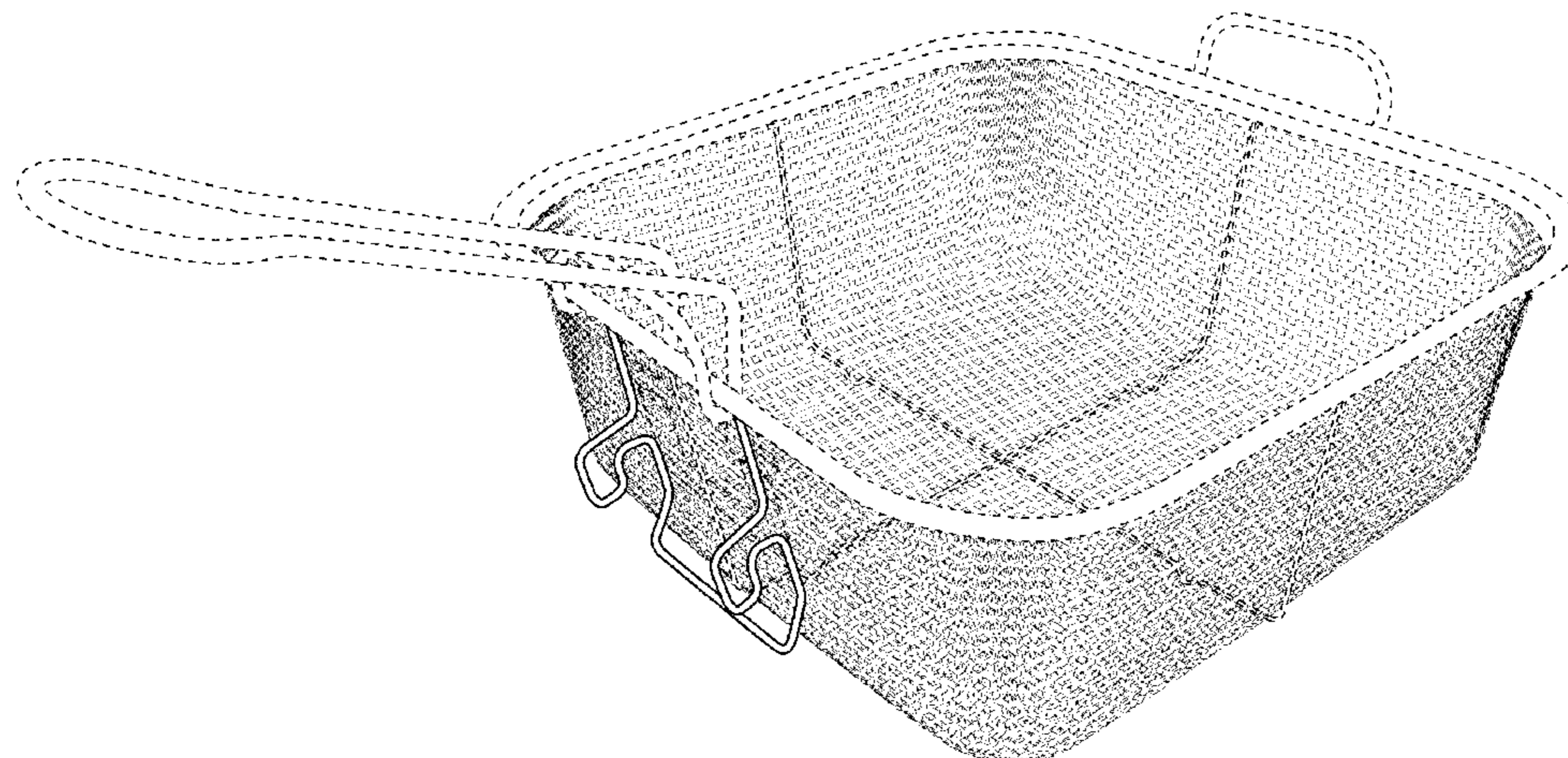
(57) **CLAIM**

The ornamental design for a fry basket, as shown and described.

DESCRIPTION

FIG. 1 is a top, front, right perspective view of a fry basket showing my design therefor;
FIG. 2 is a front elevational view;
FIG. 3 is a rear elevational view;
FIG. 4 is a left side elevational view thereof;
FIG. 5 is a right side elevational view thereof;
FIG. 6 is a top plan view thereof; and,
FIG. 7 is a bottom plan view thereof.
Throughout the drawings, broken lines show environment only and form no part of the claimed design.

1 Claim, 7 Drawing Sheets



(56)

References Cited

U.S. PATENT DOCUMENTS

D584,675 S * 1/2009 Crum, Jr. D12/223
 7,775,156 B2 8/2010 Sus et al.
 D639,937 S 6/2011 Gray et al.
 8,584,579 B1 * 11/2013 Sumner, Sr. A47J 37/1295
 220/494
 D695,057 S 12/2013 DiFante
 D702,084 S 4/2014 Matos
 D731,877 S 6/2015 Hanson
 D755,012 S 5/2016 Zemel et al.
 9,504,356 B2 * 11/2016 Matos A47J 37/1295
 D783,352 S 4/2017 McGrath
 D796,259 S * 9/2017 McGrath D7/354
 D799,309 S * 10/2017 Darby D8/373
 D806,240 S * 12/2017 Smith D24/128
 D812,413 S * 3/2018 Mirchandani D7/354
 D814,190 S * 4/2018 Mishan D3/306
 2005/0269332 A1 * 12/2005 Svabeck A47J 37/1295
 220/485
 2007/0214968 A1 * 9/2007 Larson A47J 37/1295
 99/403
 2008/0124438 A1 5/2008 Forte et al.
 2012/0213901 A1 8/2012 Kyris et al.
 2014/0263344 A1 * 9/2014 Svabek A47J 37/1295
 220/485

FOREIGN PATENT DOCUMENTS

CN 201263634 Y 7/2009
 CN 201528641 U 7/2010
 CN 201030231190 S 7/2010
 CN 201030231473 S 7/2010
 CN 201130077648 S 4/2011
 CN 204181508 U 3/2015
 FR 2435935 A1 4/1980
 KR 3020120052040 11/2012

OTHER PUBLICATIONS

Presto Stainless Steel ProFry Immersion Element Deep Fryer Instruction Manual, National Presto Industries, Inc., 2013, pp. 1-10.
 Fryer Wire Basket Products advertisement, Alibaba.com, May 2, 2017, pp. 1-4.
 Sell Sheet, Gotham Steel 9.5" Deep Square Pan including Deep Fry Basket.
 Photo of Basket, Item 10FB2, Lodge Manufacturing Company.

* cited by examiner

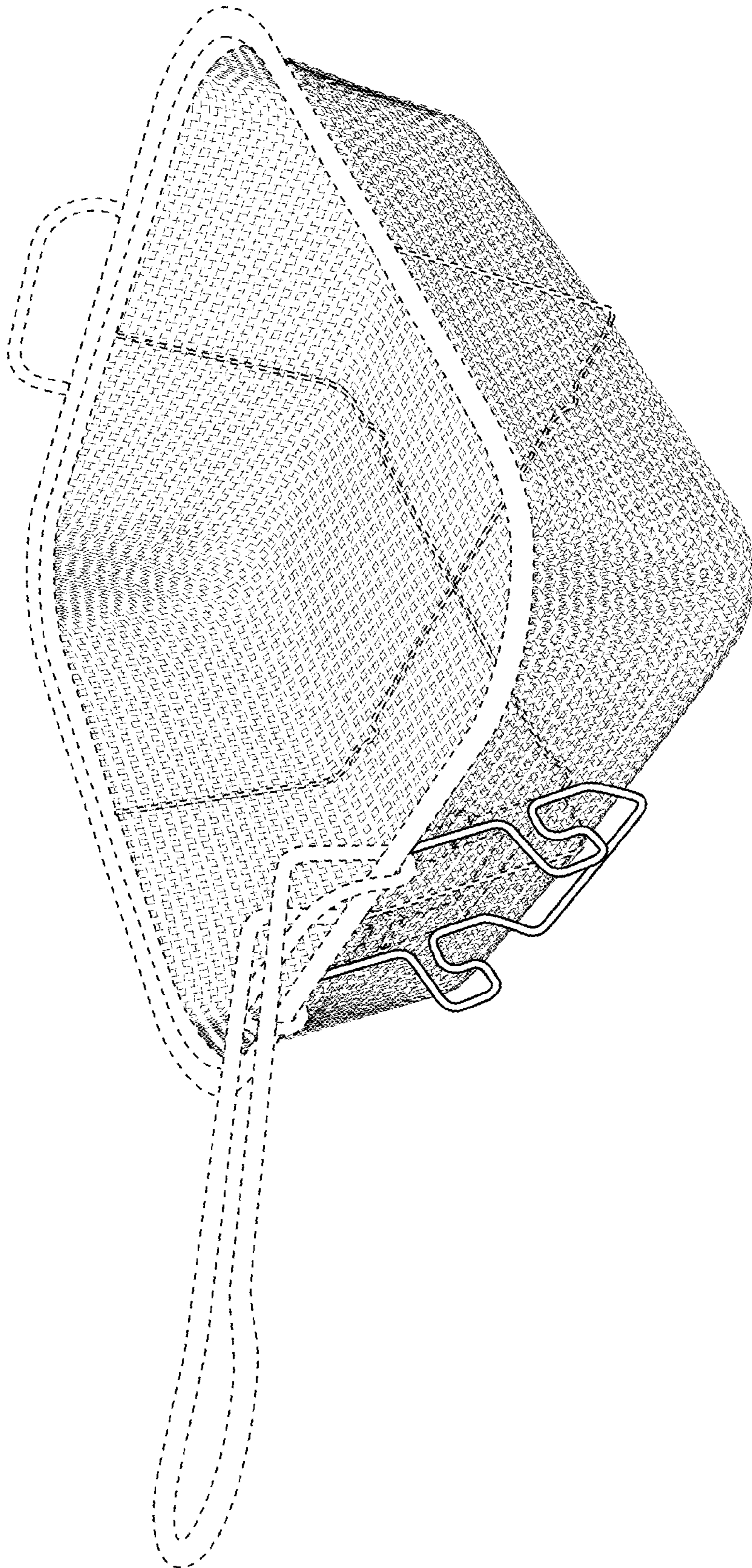


FIG. 1

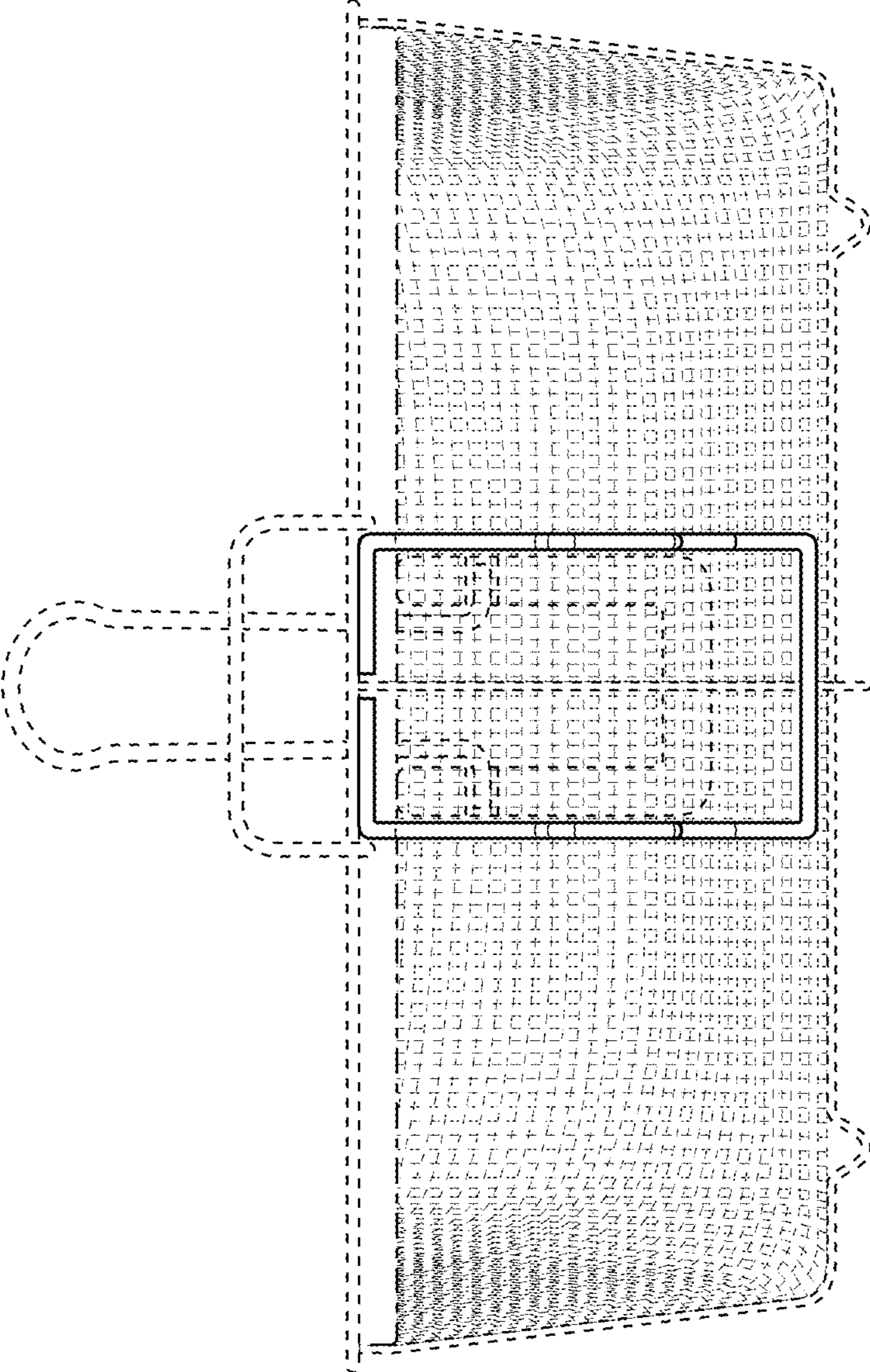


FIG. 2

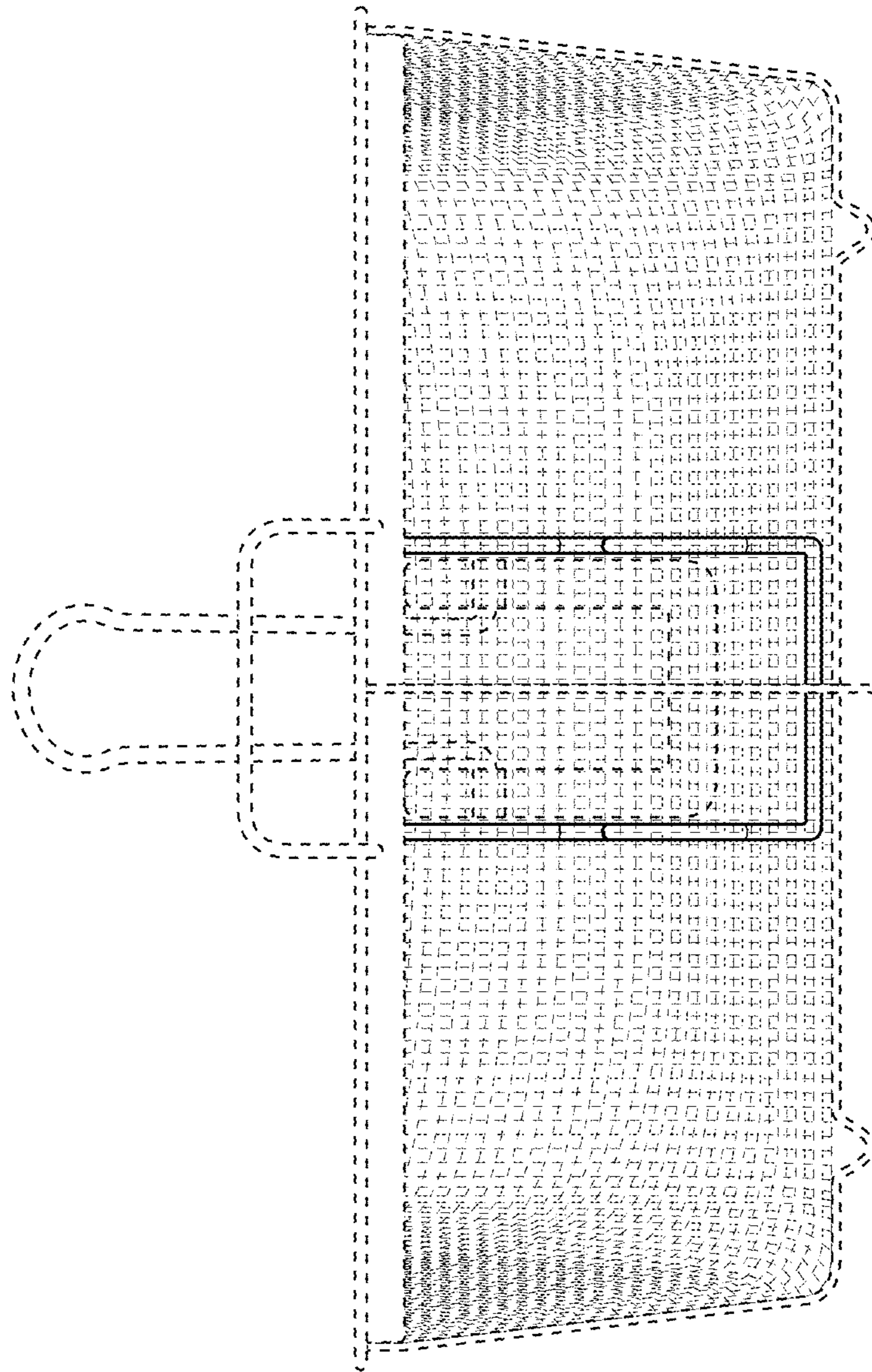


FIG. 3

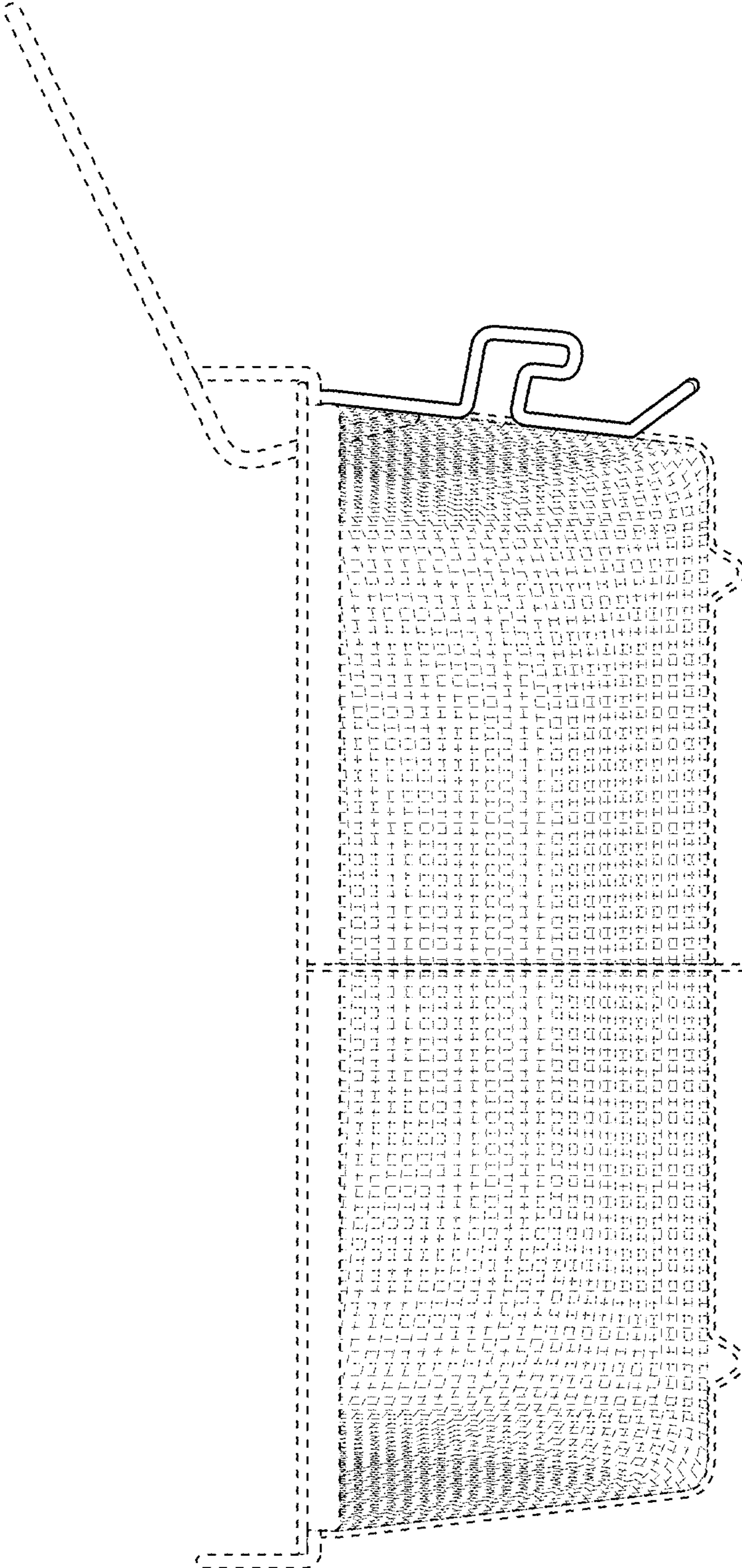


FIG. 4

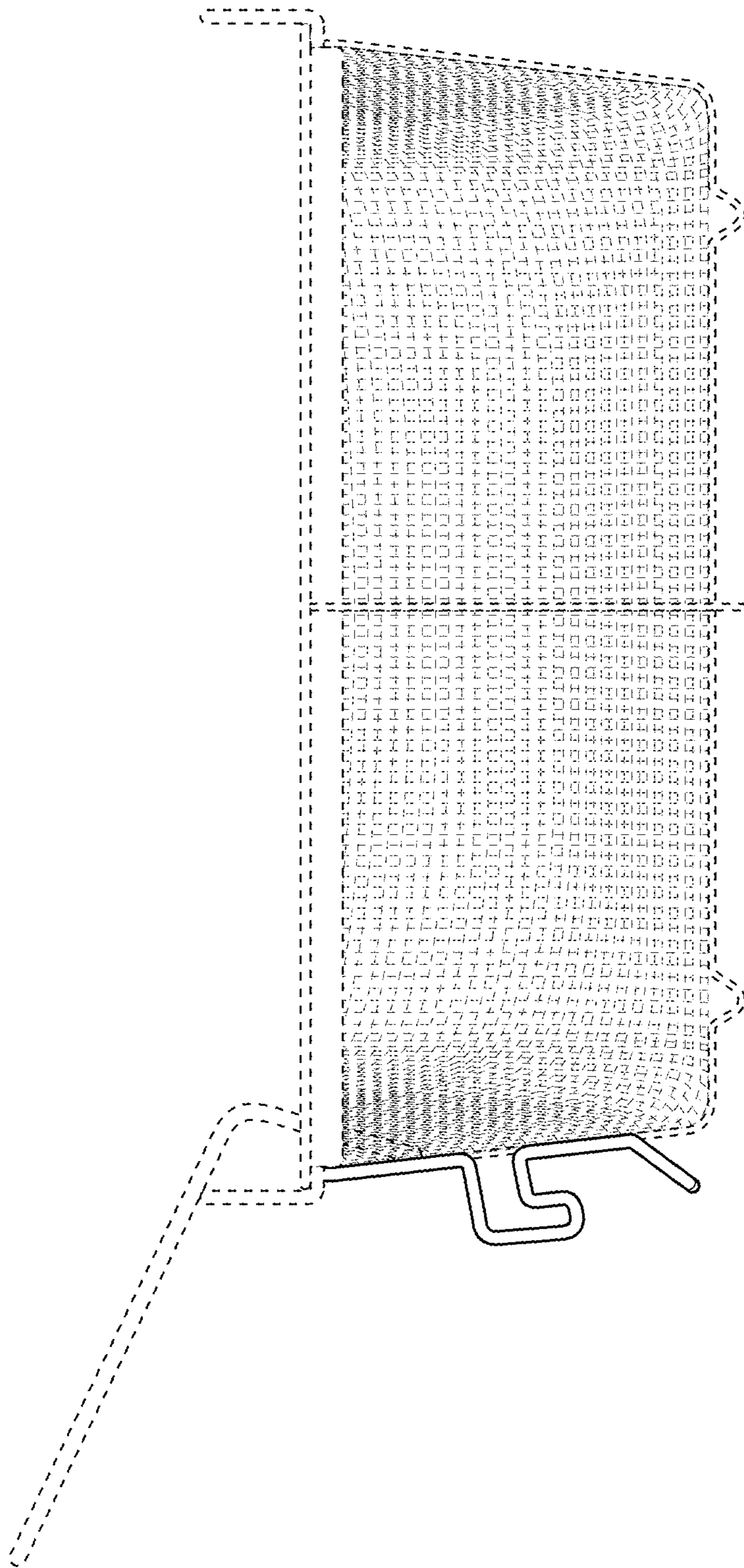


FIG. 5

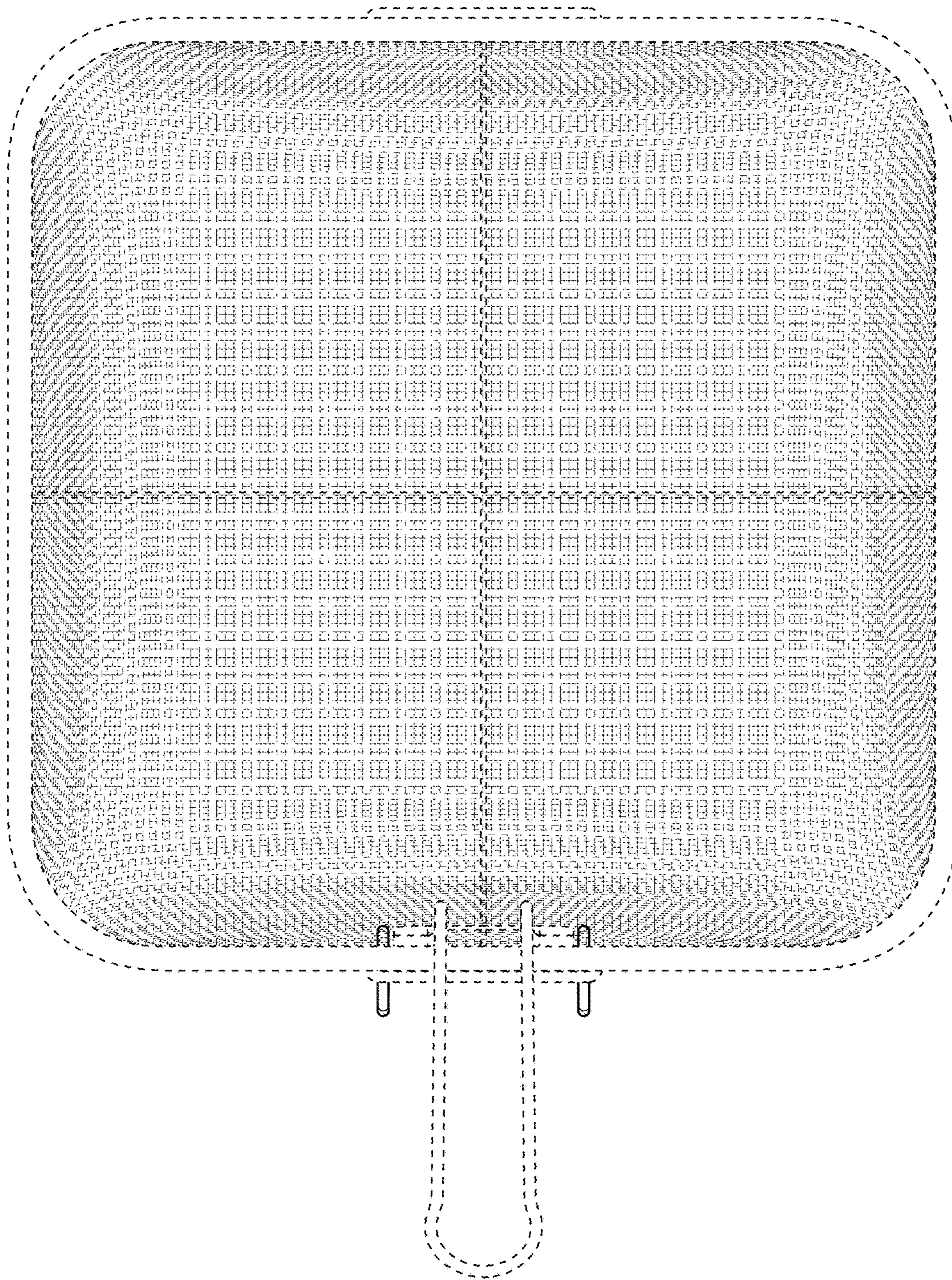


FIG. 6



FIG. 7