



US00D829037S

(12) **United States Design Patent** (10) **Patent No.:** **US D829,037 S**
Garcia Luna et al. (45) **Date of Patent:** **** Sep. 25, 2018**

(54) **BAKING DISH**
 (71) Applicant: **Libbey Glass Inc.**, Toledo, OH (US)
 (72) Inventors: **Luis Alberto Garcia Luna**, Monterrey (MX); **Jorge Abraham Gonzalez Villarreal**, Monterrey (MX); **Robert Laurel Zollweg**, Toledo, OH (US); **Allen J. Hutton**, Ottawa Hills, OH (US); **Gregory A. Pax**, Sylvania, OH (US)

D216,477 S * 1/1970 Ketcham D7/545
 D289,844 S * 5/1987 Daenen et al.
 D305,086 S 12/1989 Stewart
 D312,941 S * 12/1990 Zivin D7/545
 D326,797 S 6/1992 Pomroy et al.
 D338,807 S * 8/1993 Conti D7/354
 D370,598 S 6/1996 Koch
 D415,656 S 10/1999 Henry
 D417,367 S * 12/1999 Laib D7/360
 D418,017 S 12/1999 Henry
 D457,784 S * 5/2002 Torniainen D7/543
 D459,635 S * 7/2002 Henry D7/545

(Continued)

(73) Assignee: **LIBBEY GLASS, INC.**, Toledo, OH (US)

(**) Term: **15 Years**

(21) Appl. No.: **29/616,935**

(22) Filed: **Sep. 11, 2017**

(51) **LOC (11) Cl.** **07-02**

(52) **U.S. Cl.**
 USPC **D7/360; D7/354**

(58) **Field of Classification Search**
 USPC D7/323, 354-361, 542-543, 545, 549, D7/550.1, 553.1-553.8, 554.1-554.4, 555, D7/584, 586, 602, 605; D9/428, D9/430-433, 455-456, 737, 756-762
 CPC A21B 3/00; A21B 3/13; A21B 3/15; A21B 3/134; A21B 5/00; A21B 5/02; A47J 36/022; A47J 36/025; A47J 36/027; A47J 37/00; A47J 37/04; B65D 1/22; B65D 1/24; B65D 1/34; B65D 1/36; B65D 81/343; B65D 85/36

See application file for complete search history.

(56) **References Cited**

U.S. PATENT DOCUMENTS

D177,187 S * 3/1956 Melich et al. D7/545
 D193,200 S 7/1962 Bergeron
 D212,821 S * 11/1968 Benes D7/545

OTHER PUBLICATIONS

Notice of Allowance, U.S. Appl. No. 29/616,933, dated Jun. 1, 2018.

(Continued)

Primary Examiner — Ricky Pham

(74) *Attorney, Agent, or Firm* — MacMillan, Sobanski & Todd, LLC

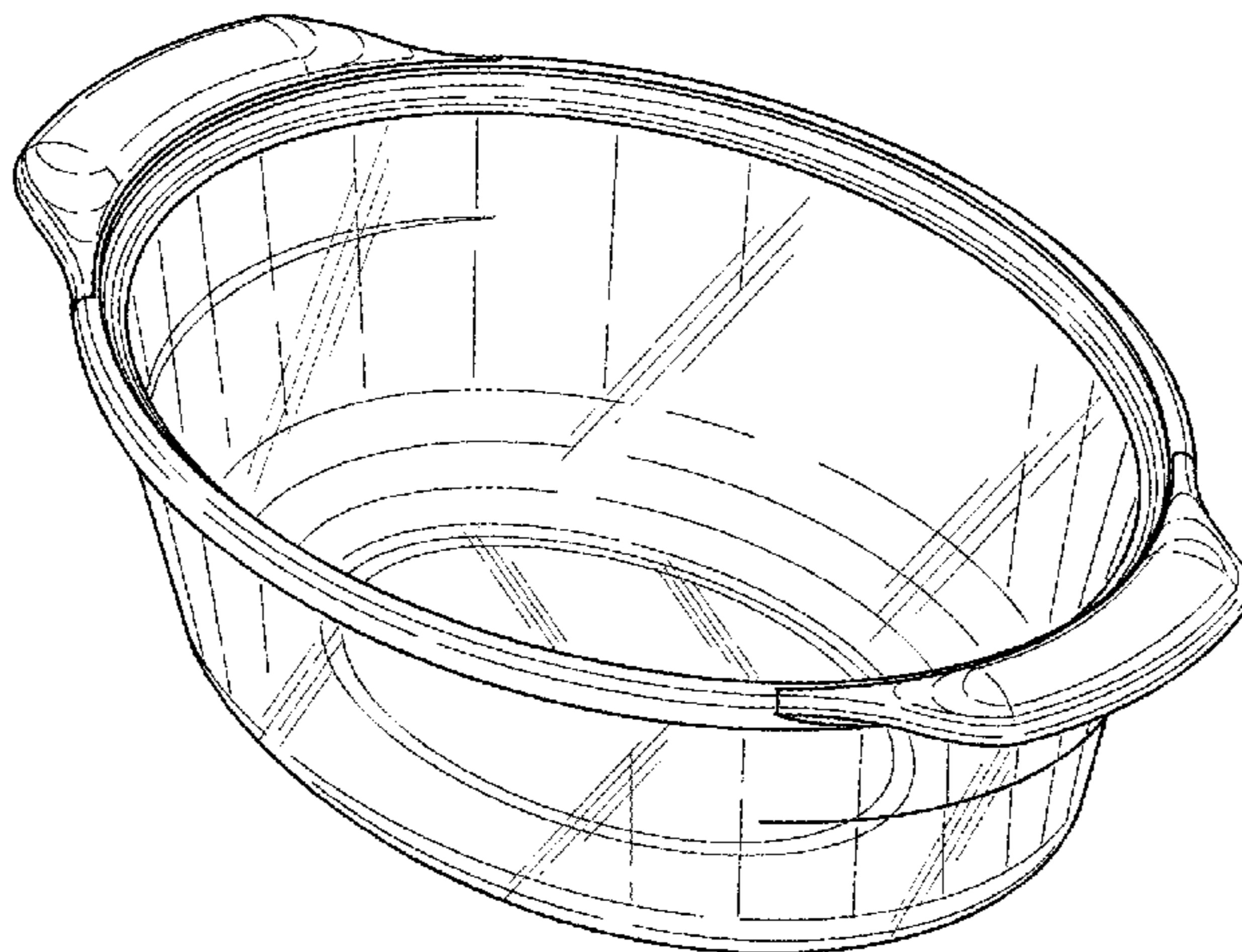
(57) **CLAIM**

The ornamental design for a baking dish, as shown and described.

DESCRIPTION

FIG. 1 is a top perspective view of a baking dish showing our new design;
 FIG. 2 is a top plan view thereof;
 FIG. 3 is a front elevational view thereof; the rear elevational view being identical;
 FIG. 4 is a right side elevational view thereof; the left side elevational view being identical;
 FIG. 5 is a bottom plan view thereof;
 FIG. 6 is a cross-sectional view taken along line 6-6 of FIG. 2; and,
 FIG. 7 is a cross-sectional view taken along line 7-7 of FIG. 2.

1 Claim, 4 Drawing Sheets



(56)

References Cited

U.S. PATENT DOCUMENTS

D475,246	S	6/2003	Jorgensen	
D475,579	S	* 6/2003	Jørgensen	D7/545
D476,851	S	* 7/2003	Wuestman	D7/538
D483,218	S	* 12/2003	Fino	D7/360
D483,616	S	12/2003	Thonis	
D483,617	S	* 12/2003	Watson	D7/545
D551,492	S	9/2007	Schuler	
D580,750	S	* 11/2008	Claassen	D9/428
D581,204	S	* 11/2008	Simon	D7/354
D583,615	S	* 12/2008	Simon	D7/354
D588,859	S	3/2009	Simon et al.	
D590,663	S	* 4/2009	Simon	D7/545
D599,623	S	9/2009	de Groote	
D607,689	S	* 1/2010	Hart	D7/354
D653,901	S	2/2012	Sarnoff et al.	
D663,570	S	* 7/2012	Sarnoff	D7/354
D678,050	S	* 3/2013	Birchmeier	D9/424
D679,548	S	* 4/2013	Chen	D7/545
D688,084	S	8/2013	Henry	
D689,733	S	* 9/2013	Parr	D7/354
D731,230	S	* 6/2015	Librus	D7/354
D744,776	S	* 12/2015	Seyers	D7/354
D762,083	S	7/2016	Librus	
D792,760	S	* 7/2017	Foster	D7/602
D815,495	S	* 4/2018	Barea	D7/602
D815,882	S	* 4/2018	Mirchandani	D7/354

OTHER PUBLICATIONS

Notice of Allowance, U.S. Appl. No. 29/616,935, dated Jun. 1, 2018.

Office Action, U.S. Appl. No. 29/616,934, dated May 17, 2018.

Office Action, U.S. Appl. No. 29/616,936, dated May 17, 2018.

* cited by examiner

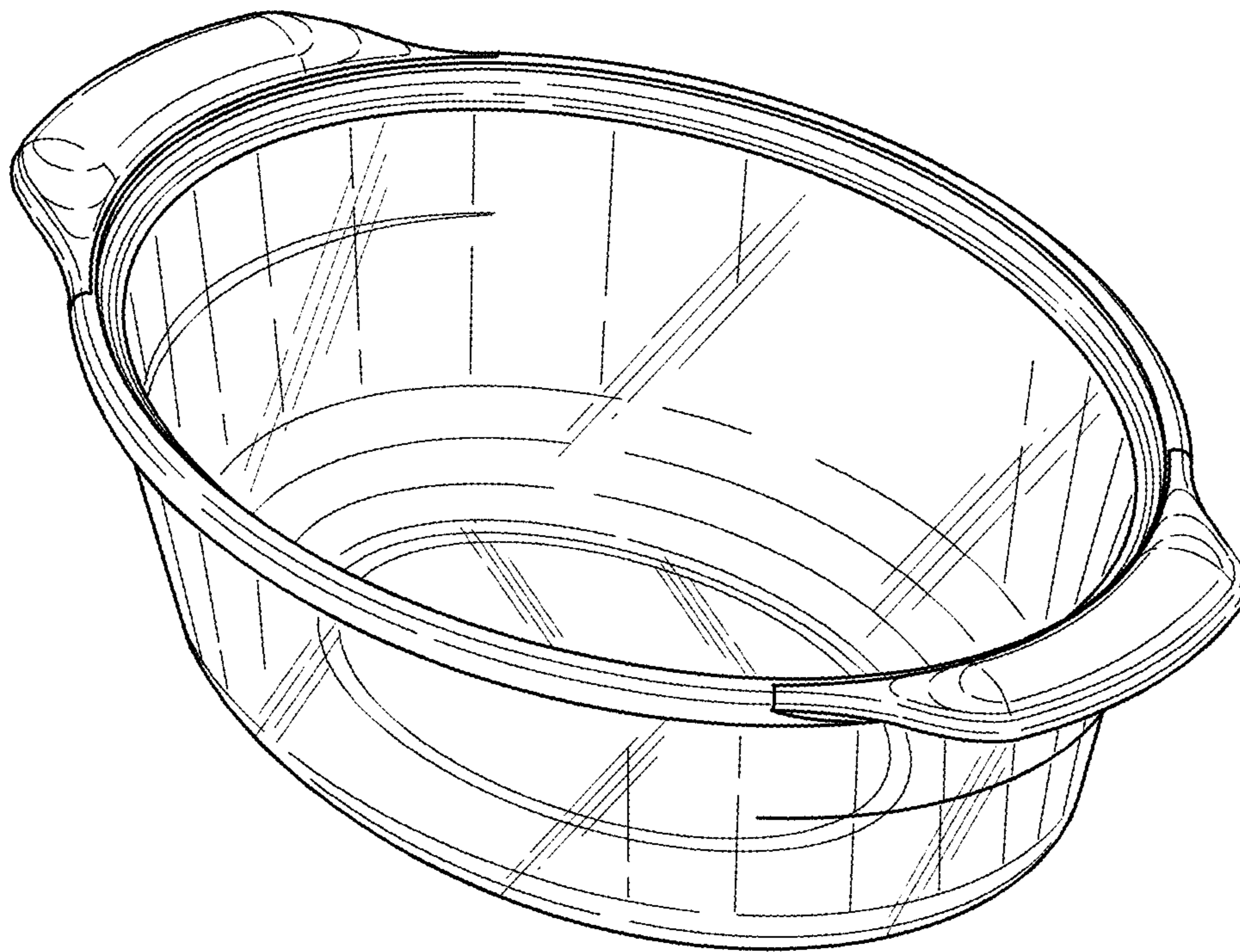


FIG. 1

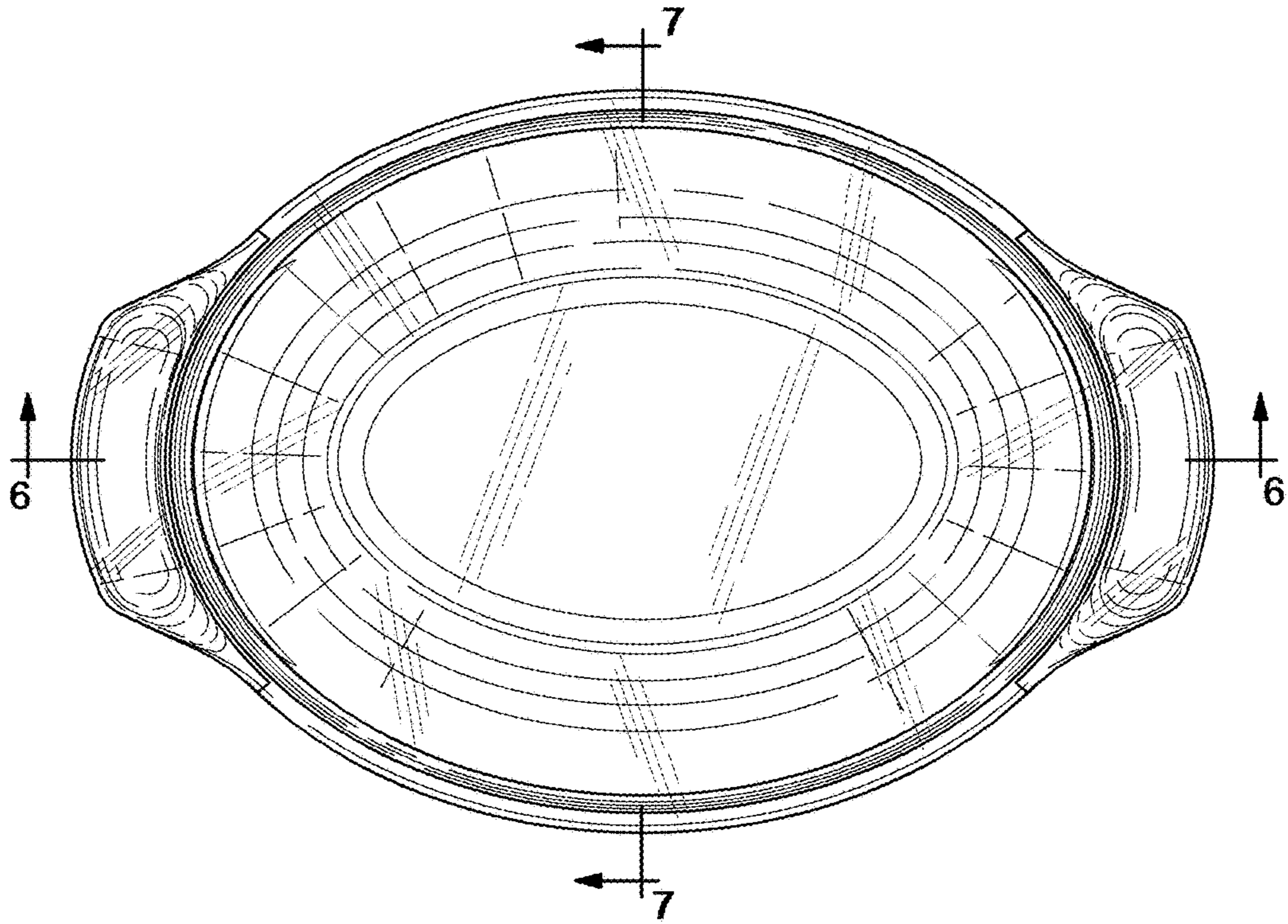


FIG. 2

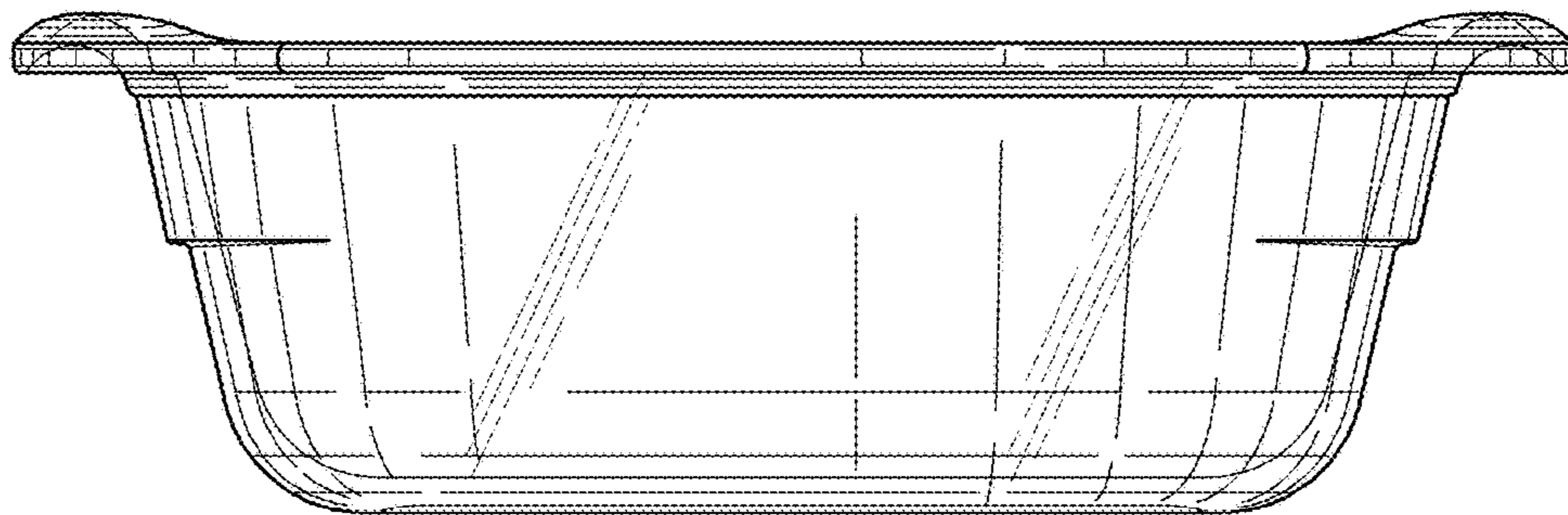


FIG. 3

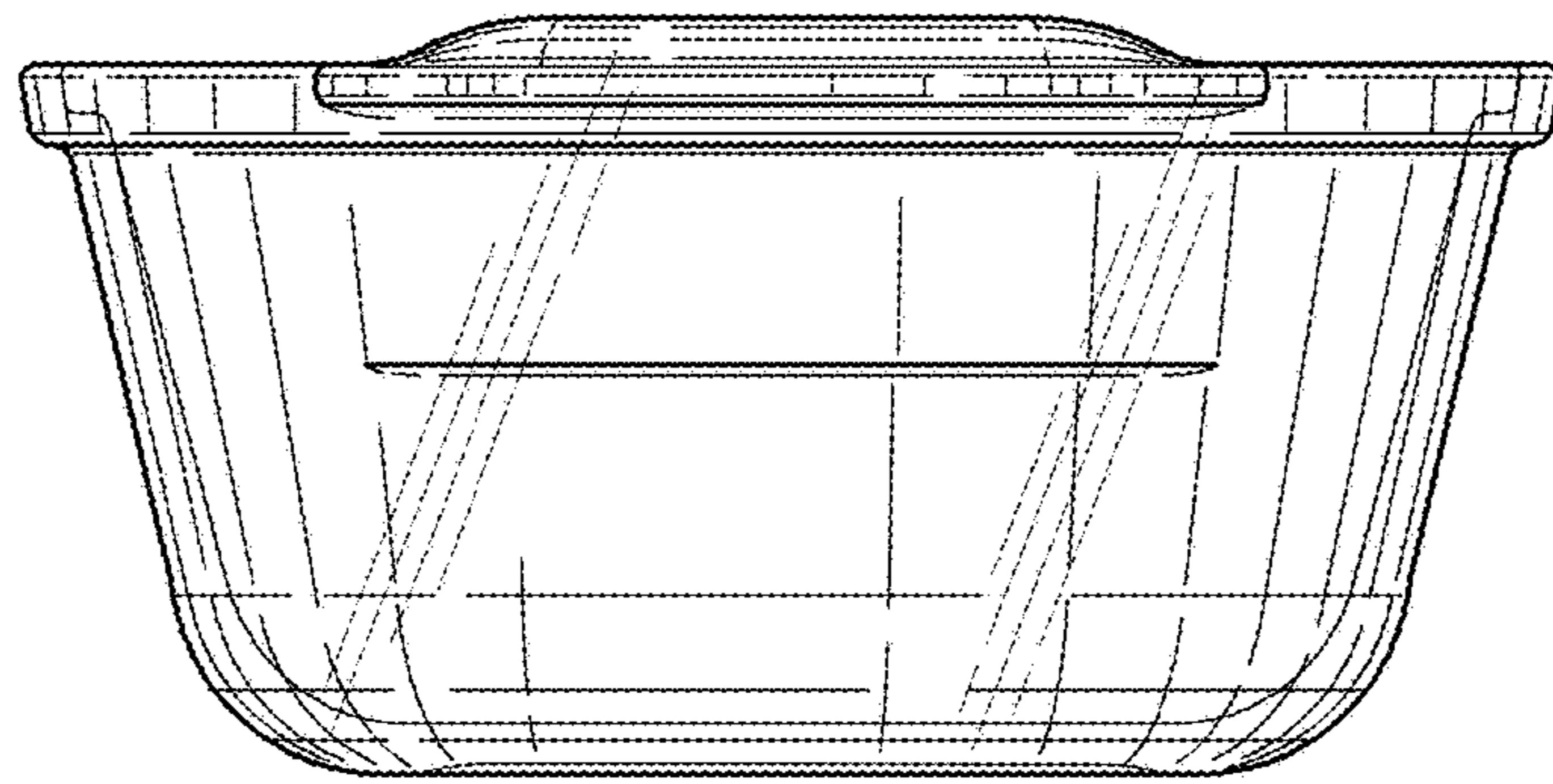


FIG. 4

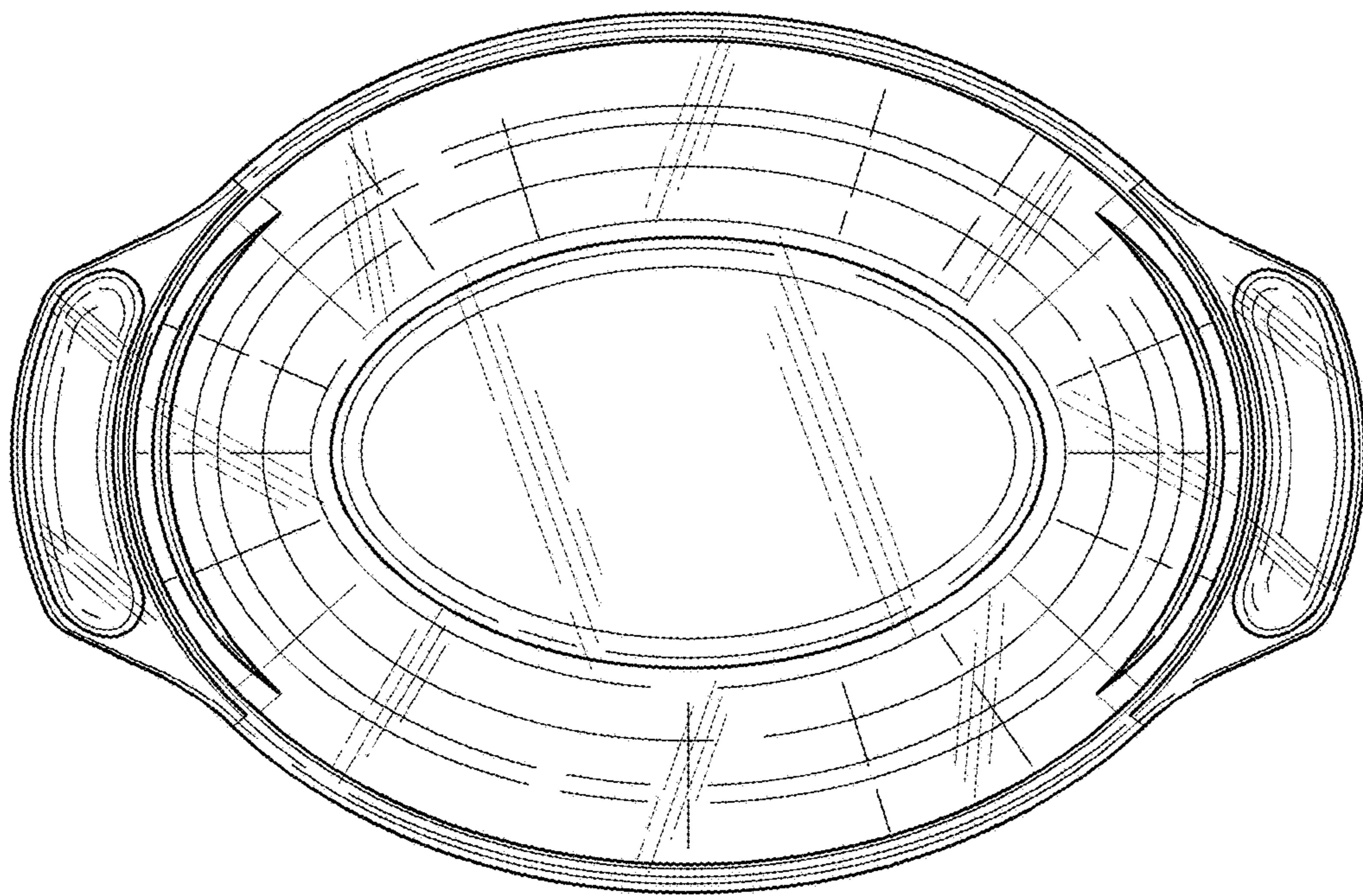


FIG. 5

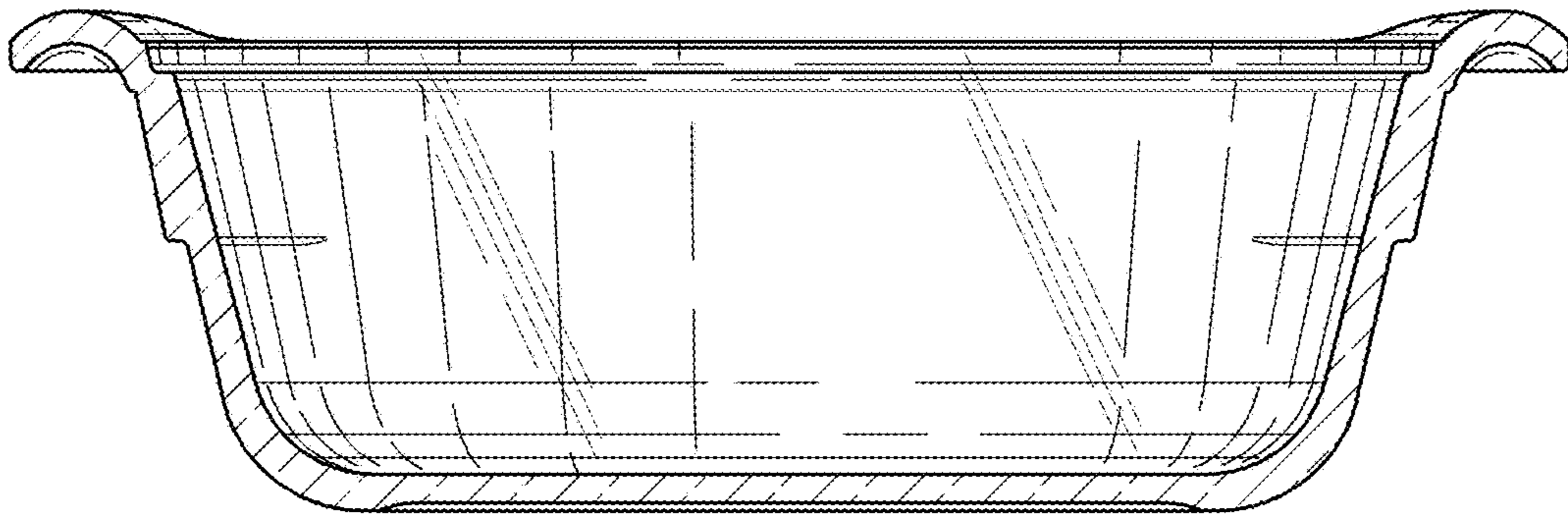


FIG. 6

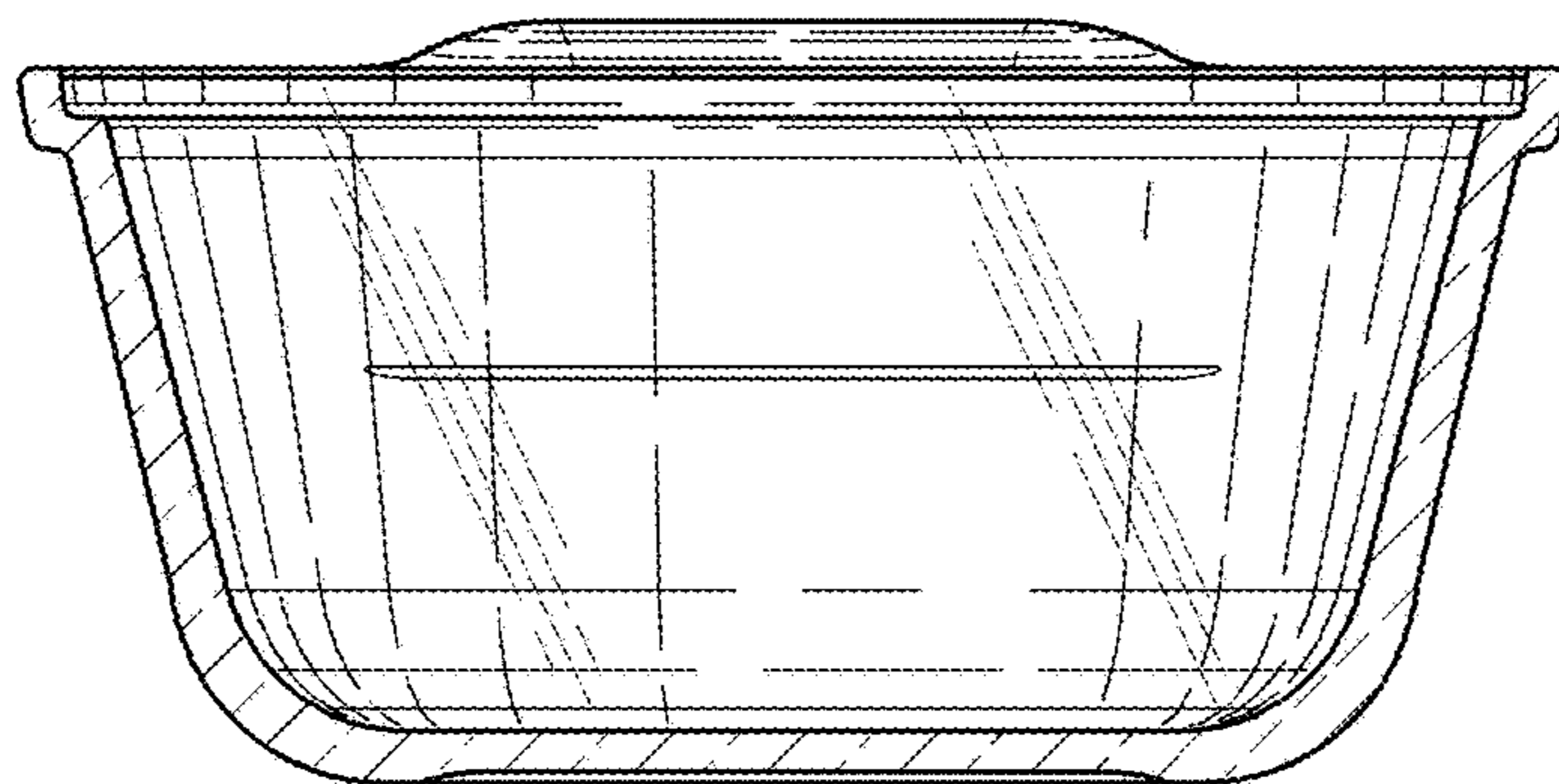


FIG. 7