



US00D829036S

(12) **United States Design Patent** (10) **Patent No.:** **US D829,036 S**
Garcia Luna et al. (45) **Date of Patent:** **** Sep. 25, 2018**

(54) **BAKING DISH**
 (71) Applicant: **Libbey Glass Inc.**, Toledo, OH (US)
 (72) Inventors: **Luis Alberto Garcia Luna**, Monterrey (MX); **Jorge Abraham Gonzalez Villarreal**, Monterrey (MX); **Robert Laurel Zollweg**, Toledo, OH (US); **Allen J. Hutton**, Ottawa Hills, OH (US); **Gregory A. Pax**, Sylvania, OH (US)

D216,477 S 1/1970 Ketcham
 D289,844 S 5/1987 Daenen et al.
 D305,086 S 12/1989 Stewart
 D312,941 S 12/1990 Zivin
 D326,797 S * 6/1992 Pomroy D7/354
 D370,598 S 6/1996 Koch
 D415,656 S 10/1999 Henry
 D417,367 S * 12/1999 Laib D7/360
 D418,017 S * 12/1999 Henry D7/545
 D459,635 S 7/2002 Henry
 D475,246 S * 6/2003 Jørgensen D7/545
 D475,579 S 6/2003 Jørgensen
 (Continued)

(73) Assignee: **LIBBEY GLASS INC**, Toledo, OH (US)

OTHER PUBLICATIONS

(**) Term: **15 Years**

Notice of Allowance, U.S. Appl. No. 29/616,933, dated Jun. 1, 2018.

(21) Appl. No.: **29/616,933**

(Continued)

(22) Filed: **Sep. 11, 2017**

Primary Examiner — Ricky Pham

(51) **LOC (11) Cl.** **07-02**

(74) *Attorney, Agent, or Firm* — MacMillan, Sobanski & Todd, LLC

(52) **U.S. Cl.**

(57) **CLAIM**

USPC **D7/360**; D7/354

The ornamental design for a baking dish, as shown and described.

(58) **Field of Classification Search**

DESCRIPTION

USPC D7/323, 354–361, 538, 542–543, 545, D7/549, 550.1, 553.1–553.8, 554.1–554.4, D7/555, 584, 586, 602, 605; D9/428, D9/430–433, 455–456, 737, 756–762
 CPC A21B 3/00; A21B 3/13; A21B 3/15; A21B 3/134; A21B 5/00; A21B 5/02; A47J 36/022; A47J 36/025; A47J 36/027; A47J 37/00; A47J 37/04; B65D 1/22; B65D 1/24; B65D 1/34; B65D 1/36; B65D 81/343; B65D 85/36

FIG. 1 is a top perspective view of a baking dish showing our new design;
 FIG. 2 is a top plan view thereof;
 FIG. 3 is a front elevational view thereof; the rear elevational view being identical;
 FIG. 4 is a right side elevational view thereof; the left side elevational view being identical;
 FIG. 5 is a bottom plan view thereof;
 FIG. 6 is a cross-sectional view taken along line 6-6 of FIG. 2; and,
 FIG. 7 is a cross-sectional view taken along line 7-7 of FIG. 2.

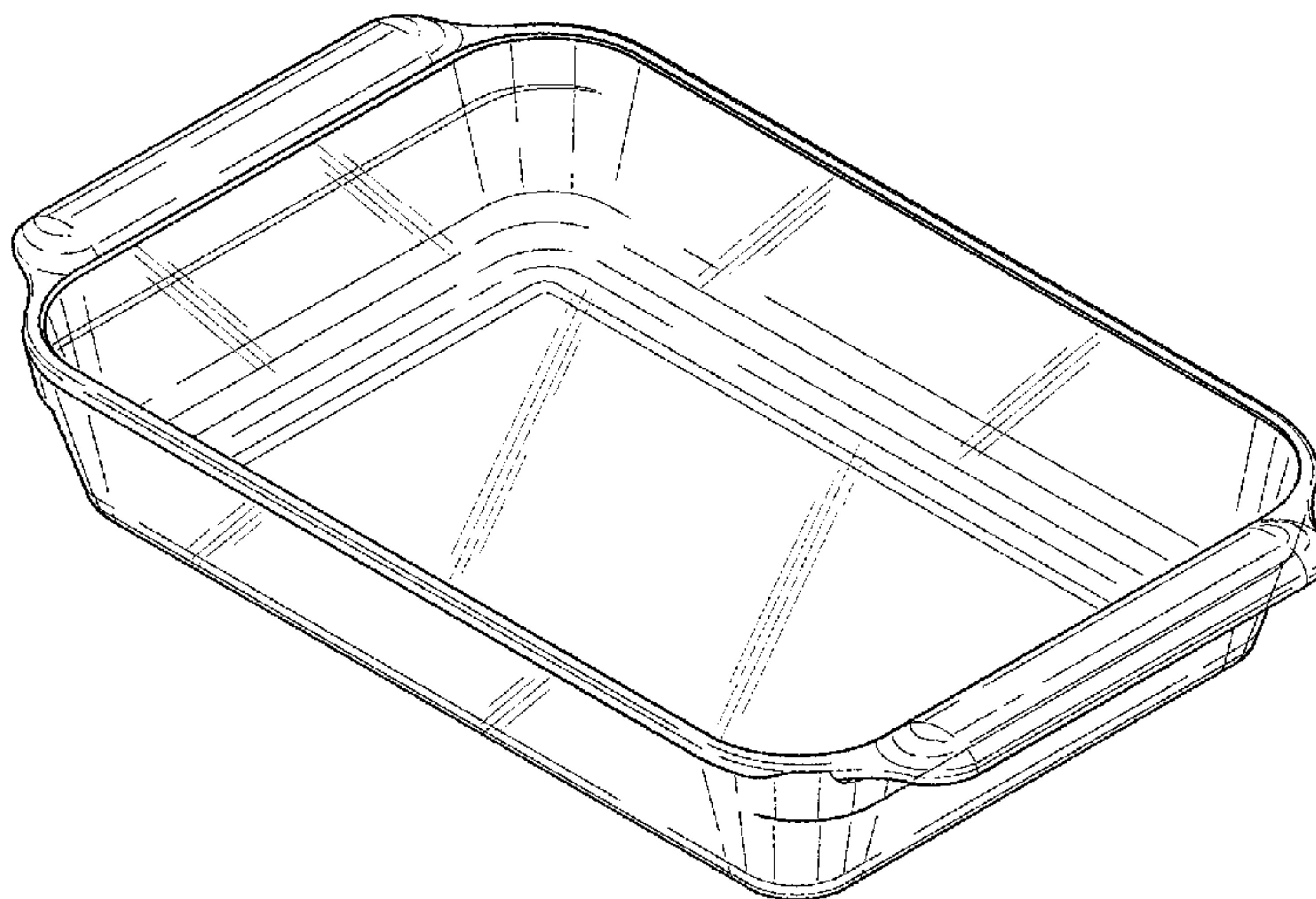
See application file for complete search history.

(56) **References Cited**

U.S. PATENT DOCUMENTS

D177,187 S 3/1956 Melich et al.
 D193,200 S * 7/1962 Bergeron D27/134
 D212,821 S * 11/1968 Benes D7/545

1 Claim, 4 Drawing Sheets



(56)

References Cited

U.S. PATENT DOCUMENTS

D476,851 S	7/2003	Wuestman	
D483,218 S	12/2003	Fino et al.	
D483,616 S *	12/2003	Thonis	D7/545
D483,617 S	12/2003	Watson	
D551,492 S *	9/2007	Schuler	D7/354
D580,750 S	11/2008	Claassen et al.	
D588,859 S *	3/2009	Simon	D7/354
D590,663 S	4/2009	Simon et al.	
D599,623 S *	9/2009	de Groote	D7/545
D607,689 S	1/2010	Hart et al.	
D653,901 S *	2/2012	Sarnoff	D7/354
D679,548 S	4/2013	Chen	
D688,084 S *	8/2013	Henry	D7/354
D762,083 S *	7/2016	Librus	D7/354

OTHER PUBLICATIONS

Notice of Allowance, U.S. Appl. No. 29/616,935, dated Jun. 1, 2018.

Office Action, U.S. Appl. No. 29/616,934, dated May 17, 2018.

Office Action, U.S. Appl. No. 29/616,936, dated May 17, 2018.

* cited by examiner

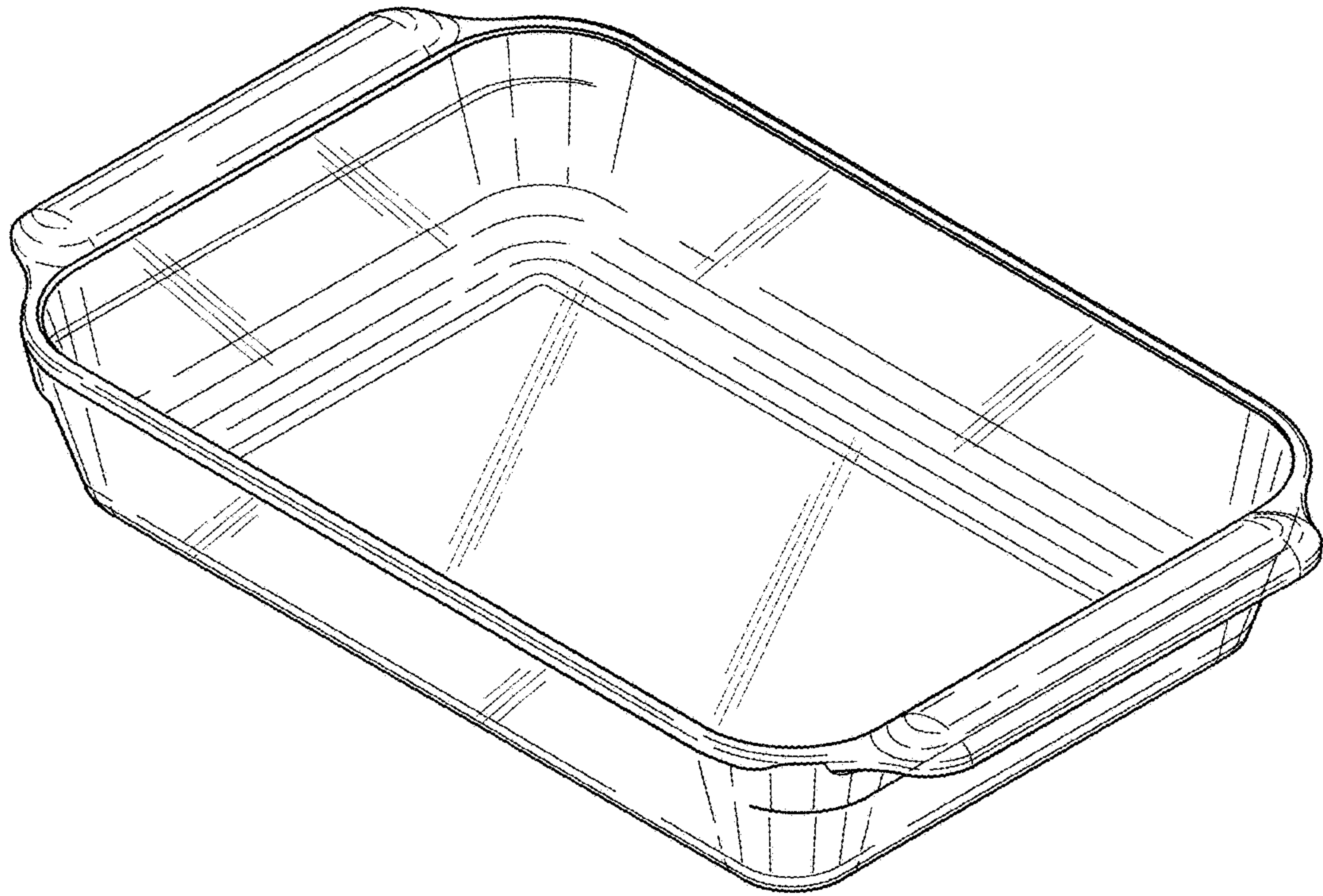


FIG. 1

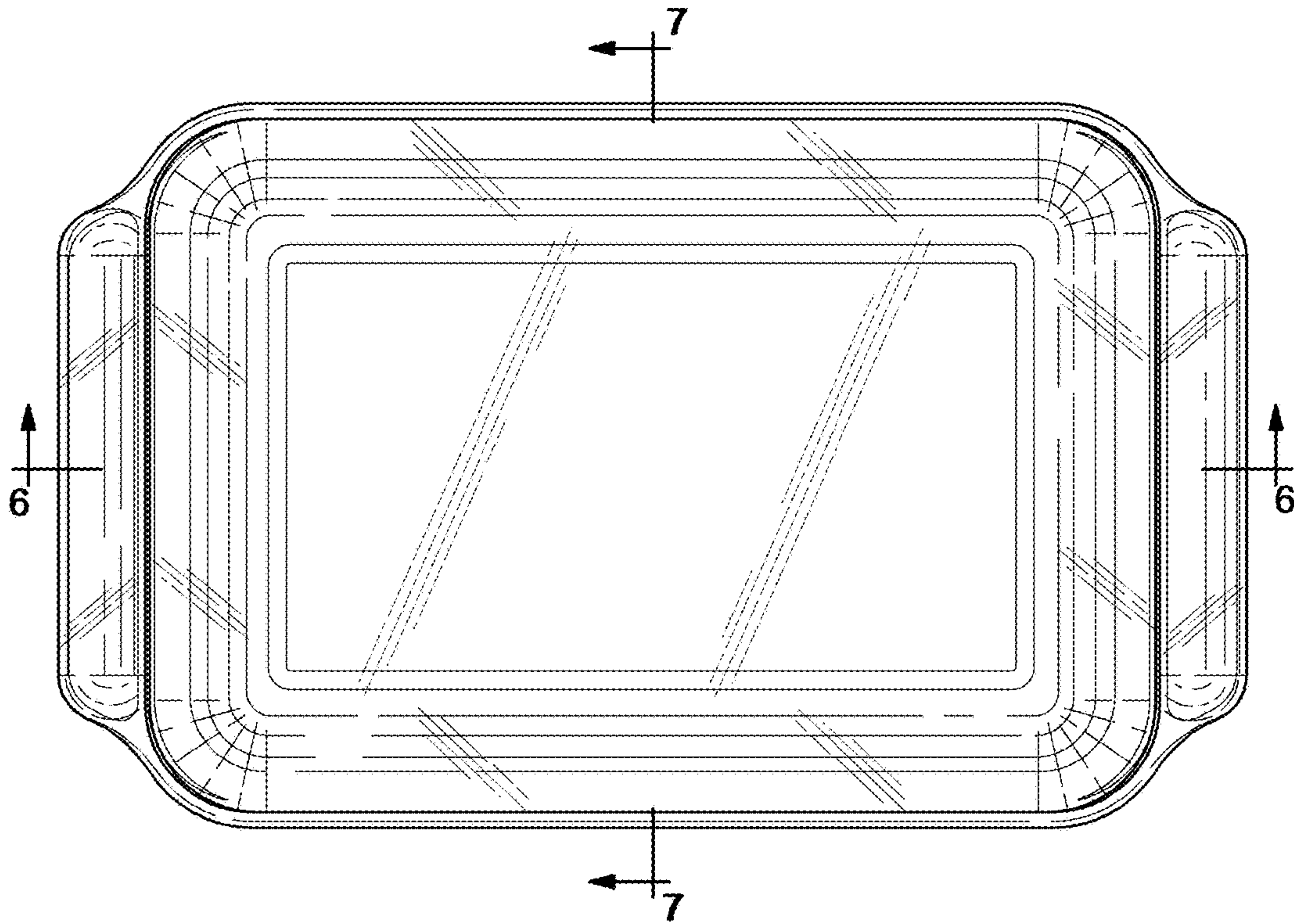


FIG. 2

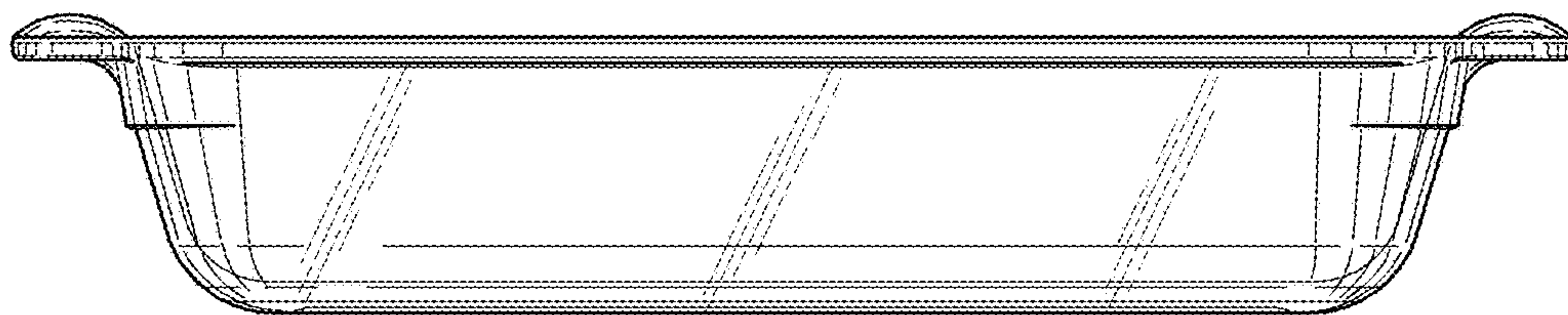


FIG. 3

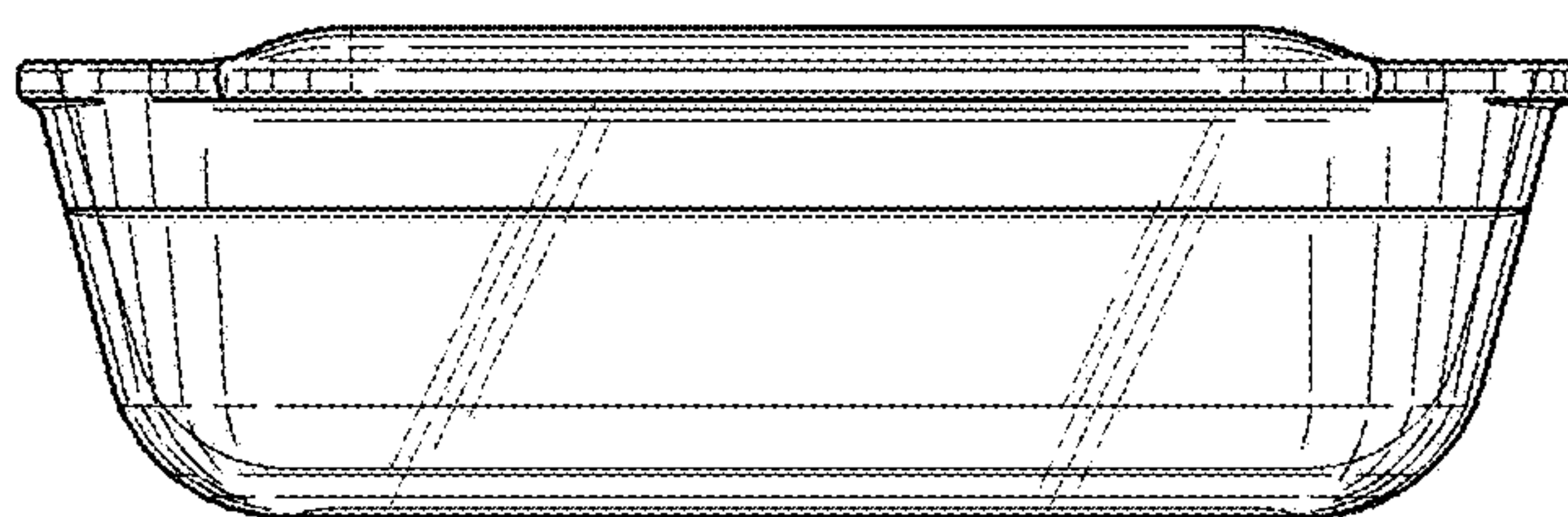


FIG. 4

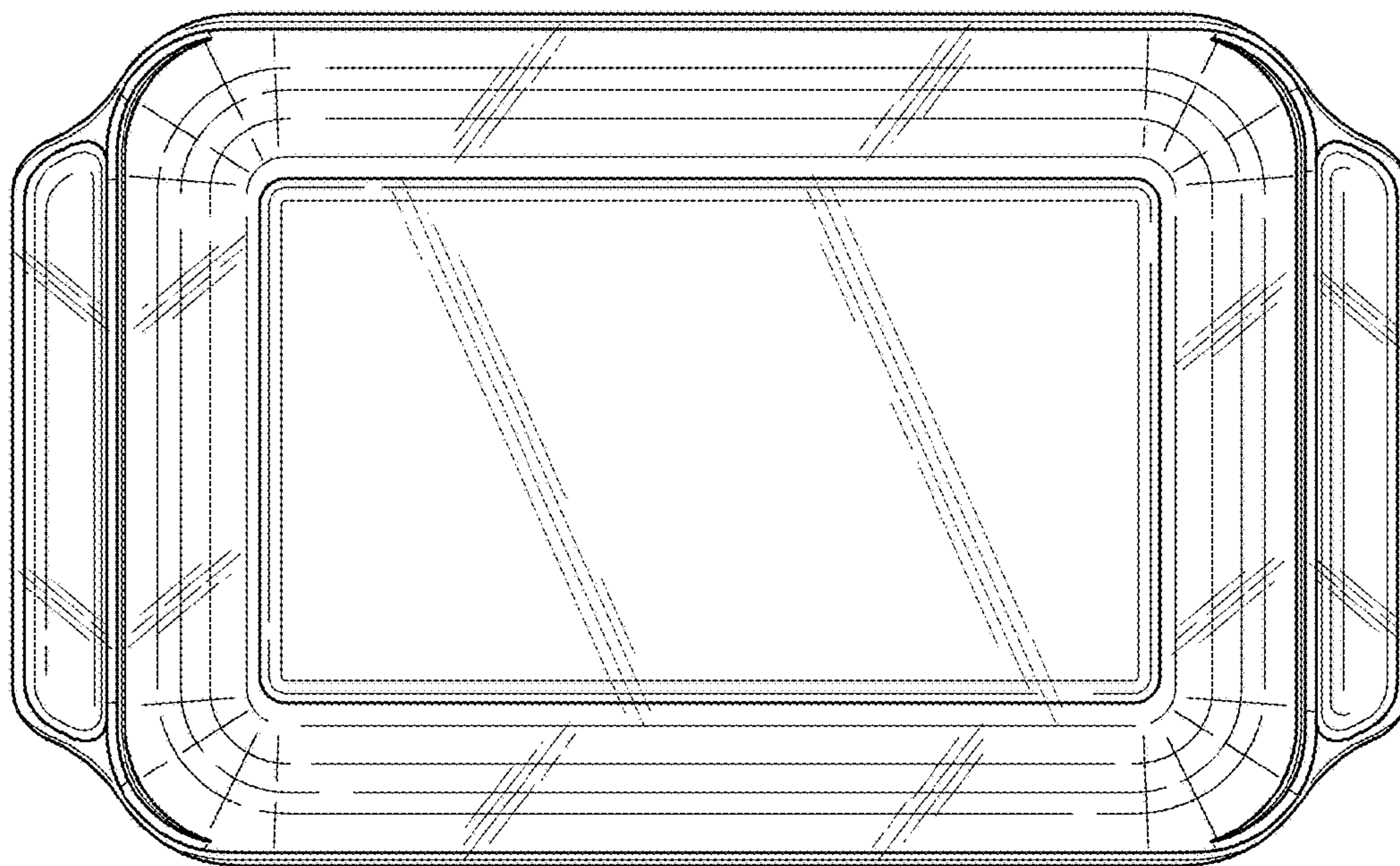


FIG. 5

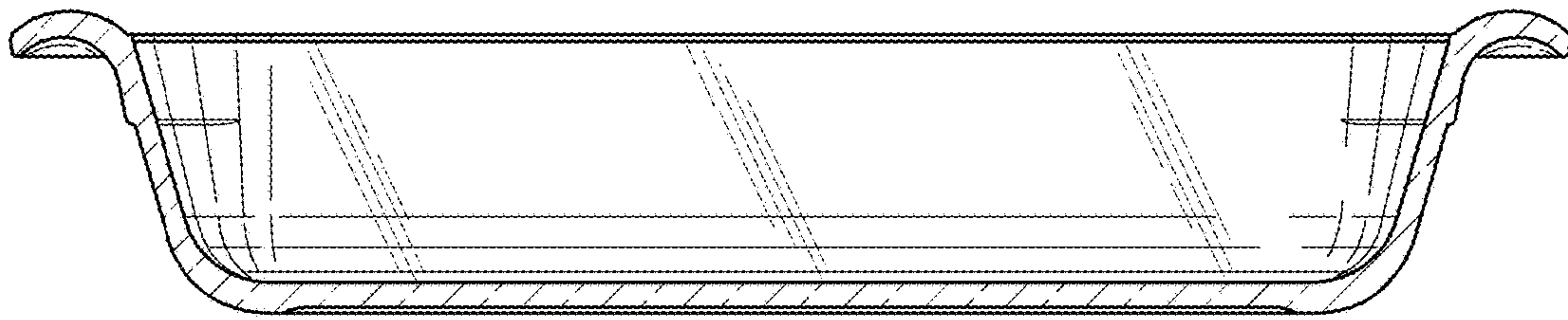


FIG. 6

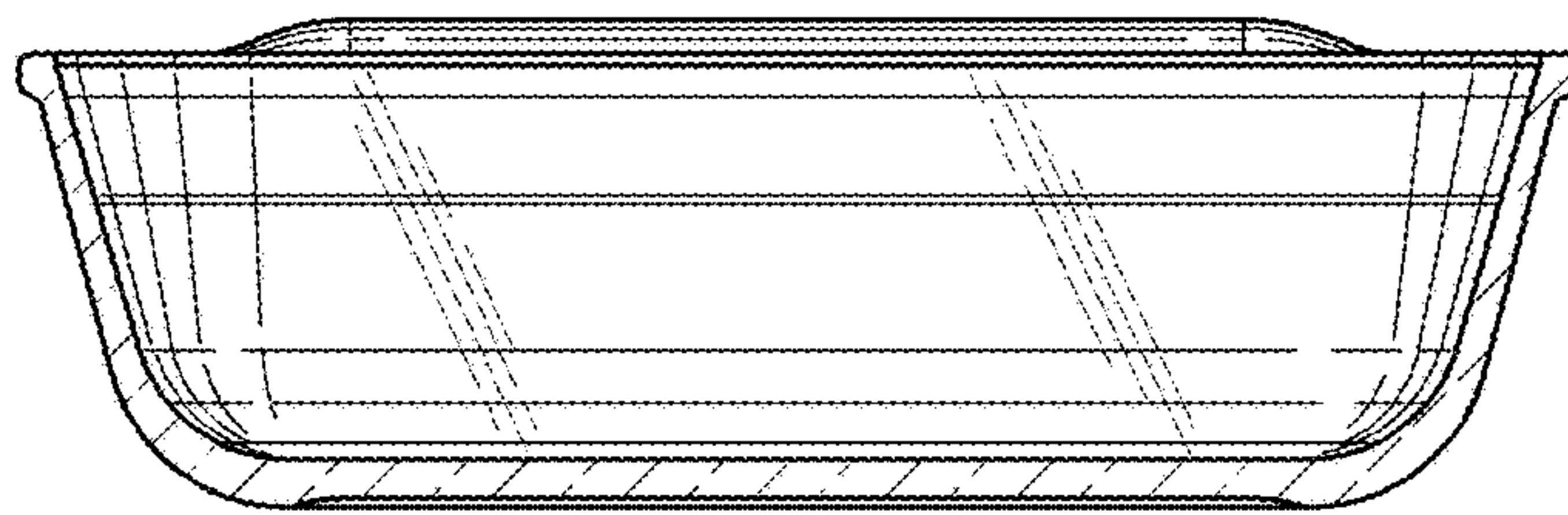


FIG. 7