

US00D829033S

(12) **United States Design Patent**
Peterson et al.

(10) **Patent No.:** **US D829,033 S**

(45) **Date of Patent:** **** Sep. 25, 2018**

- (54) **SEATING ARRANGEMENT ARM STRUCTURE**
- (71) Applicant: **Steelcase Inc.**, Grand Rapids, MI (US)
- (72) Inventors: **Gordon J. Peterson**, Rockford, MI (US); **Robert J. Battey**, Middleville, MI (US); **Gary Lee Karsten**, Wyoming, MI (US); **Mark Vander Veen**, Hudsonville, MI (US); **Peter A. Boeckel**, Hong Kong (HK)
- (73) Assignee: **Steelcase Inc.**, Grand Rapids, MI (US)
- (**) Term: **15 Years**
- (21) Appl. No.: **29/605,427**
- (22) Filed: **May 25, 2017**
- (51) **LOC (11) Cl.** **06-01**
- (52) **U.S. Cl.**
USPC **D6/716.2; D6/366**
- (58) **Field of Classification Search**
USPC D6/334-336, 364, 365, 366, 374, 379, D6/380, 716, 716.1, 716.2, 716.3, 716.4
CPC .. A47C 1/03; A47C 7/54; A47C 7/543; A47C 7/546; A47C 7/40; A47C 7/022; A47C 7/282
See application file for complete search history.

(56) **References Cited**
U.S. PATENT DOCUMENTS

5,795,026	A	8/1998	Dral et al.
5,853,223	A	12/1998	Ritt
6,361,110	B2	3/2002	Roslund, Jr. et al.
6,398,309	B1	6/2002	Chen
6,966,604	B2	11/2005	Stumpf et al.
7,066,538	B2	6/2006	Machael et al.
7,097,247	B2	8/2006	Battey et al.
7,246,859	B2	7/2007	Igarashi et al.
7,594,700	B2	9/2009	Stumpf et al.

D602,286	S *	10/2009	Mezzera	D6/366
7,841,665	B2	11/2010	Geister et al.		
7,997,652	B2	8/2011	Roslund et al.		
8,029,066	B2	10/2011	Su		
D654,709	S *	2/2012	Fujita	D6/366
D654,710	S *	2/2012	Fujita	D6/366
8,210,611	B2	7/2012	Aldrich et al.		
8,235,468	B2	8/2012	Fookes et al.		
8,246,117	B2	8/2012	Melhuish et al.		
8,297,708	B2	10/2012	Mizobata et al.		
D683,571	S *	6/2013	Egger	D6/716.2
D683,573	S *	6/2013	Egger	D6/716.3
8,777,318	B2	7/2014	Chen		
8,967,724	B2	3/2015	Battey et al.		

(Continued)

Primary Examiner — Mimosa De

(74) *Attorney, Agent, or Firm* — Price Heneveld LLP

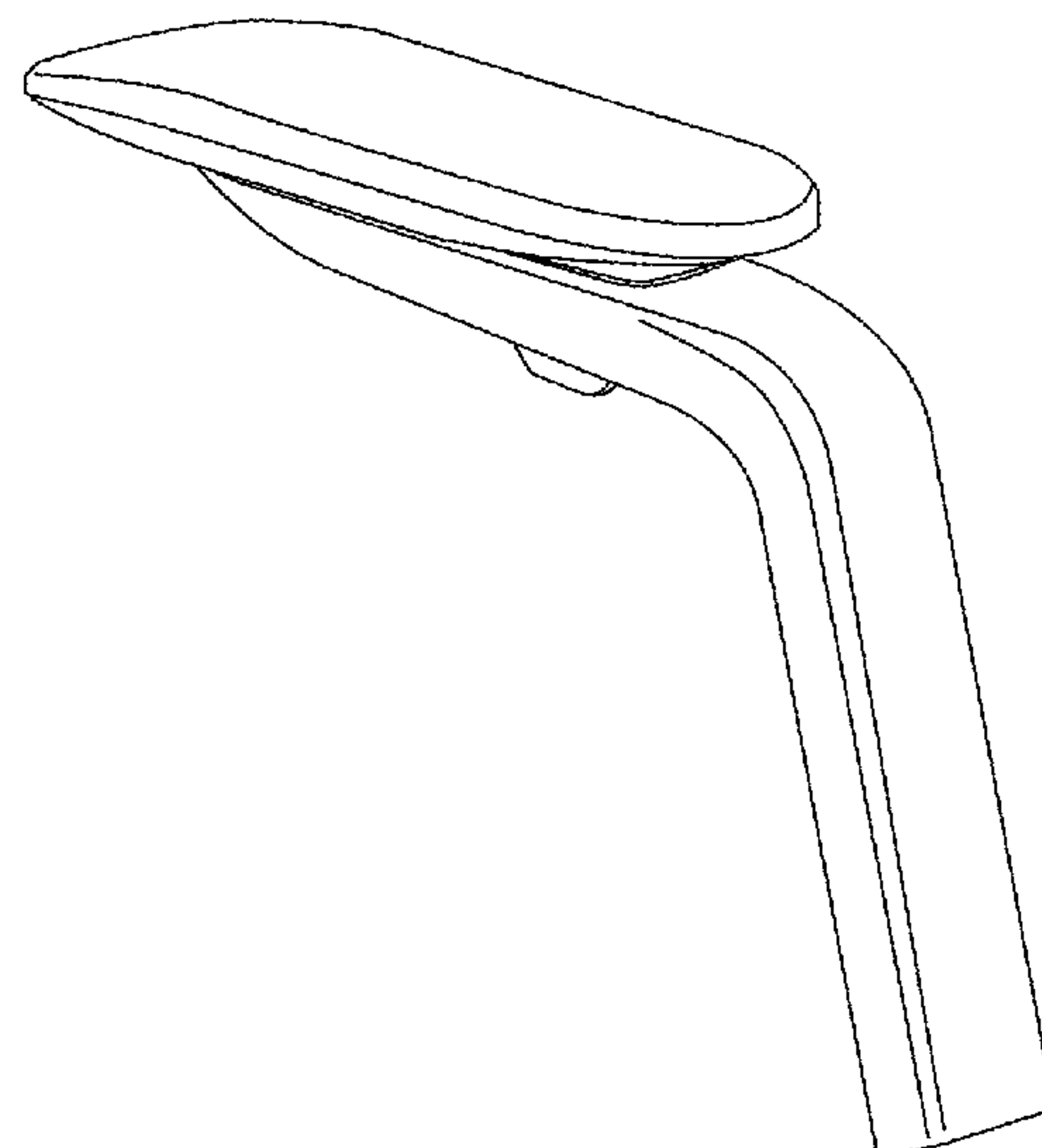
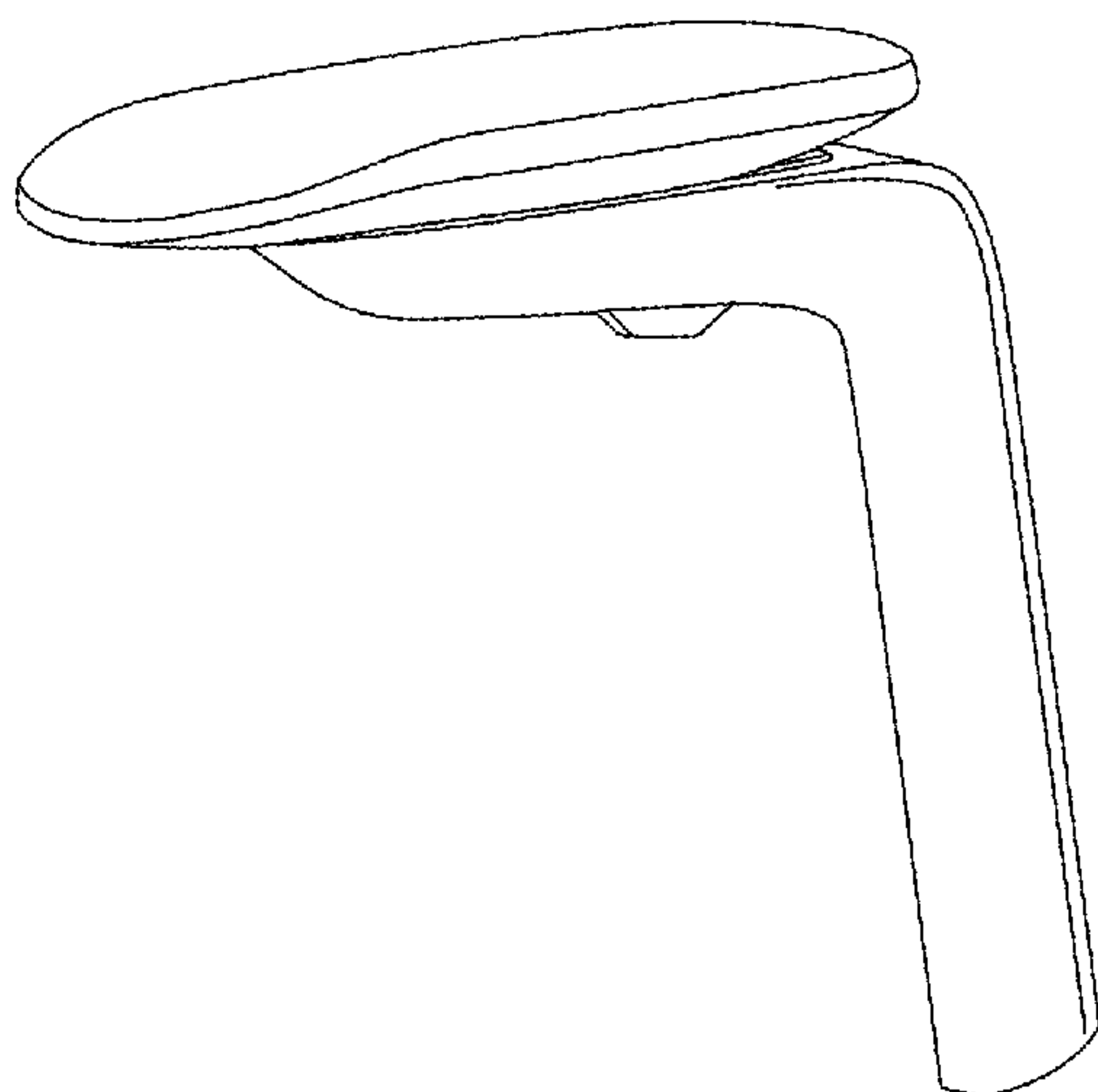
(57) **CLAIM**

The ornamental design for seating arrangement arm structure, as shown.

DESCRIPTION

FIG. 1 is a front perspective view of a seating arrangement arm structure embodying the present invention;
 FIG. 2 is a rear perspective view of the seating arrangement arm structure;
 FIG. 3 is a front elevational view of the seating arrangement arm structure;
 FIG. 4 is a first side elevational view of the seating arrangement arm structure;
 FIG. 5 is a rear elevational view of the seating arrangement arm structure;
 FIG. 6 is a second side elevational view of the seating arrangement arm structure;
 FIG. 7 is a top plan view of the seating arrangement arm structure; and,
 FIG. 8 is a bottom plan view of the seating arrangement arm structure.

1 Claim, 4 Drawing Sheets



(56)

References Cited

U.S. PATENT DOCUMENTS

9,028,001	B2	5/2015	Bathey et al.	
D779,248	S *	2/2017	Welsh	D6/716.2
D779,254	S *	2/2017	Welsh	D6/716.4
D803,609	S *	11/2017	Guelfo	D6/716.2
D809,325	S *	2/2018	Dorigo	D6/716.2
2009/0021065	A1	1/2009	Brauning	
2011/0181086	A1	7/2011	Pfeifer et al.	
2014/0265493	A1	9/2014	Machael et al.	
2015/0298587	A1	10/2015	Machael et al.	

* cited by examiner

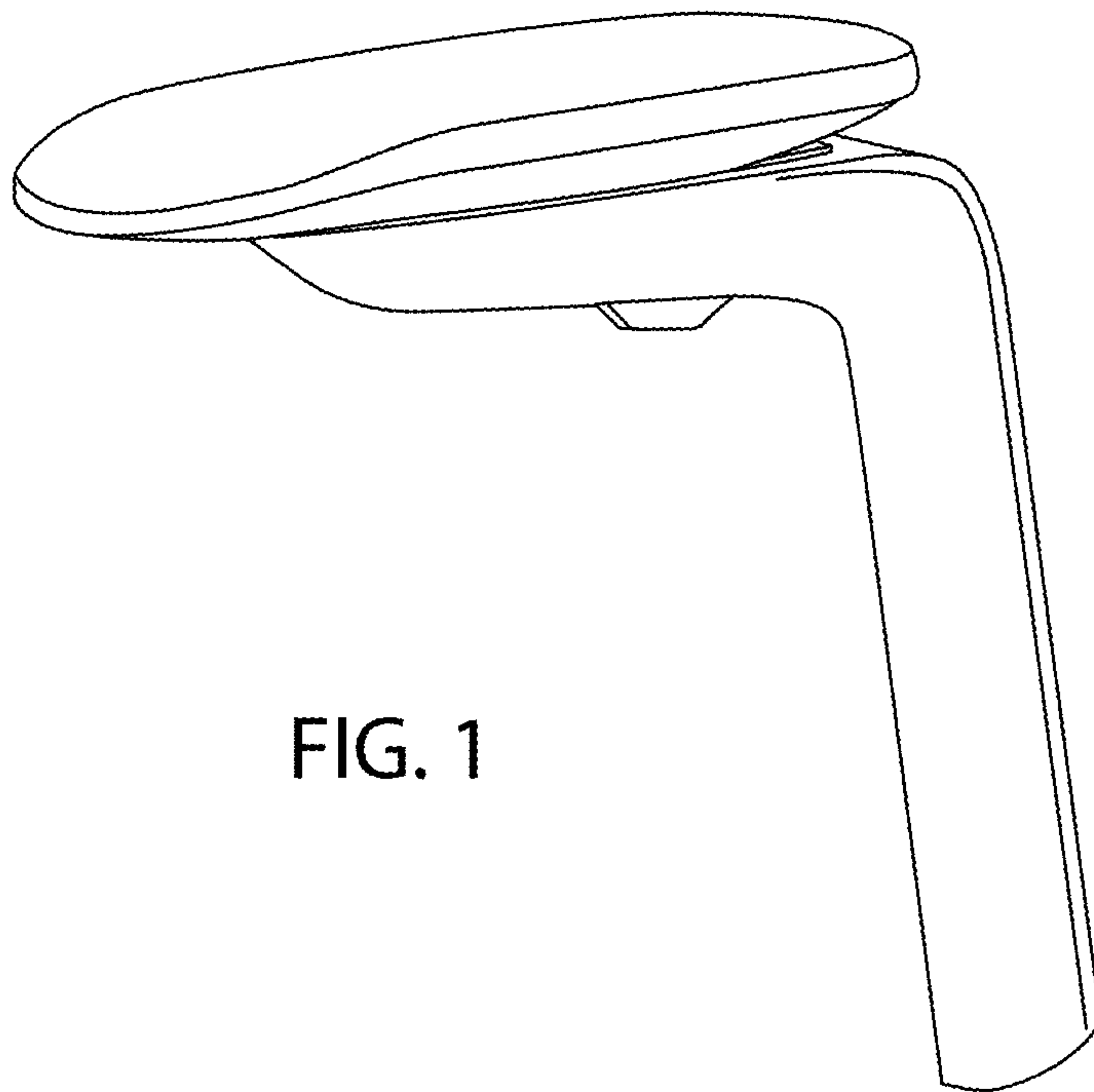


FIG. 1

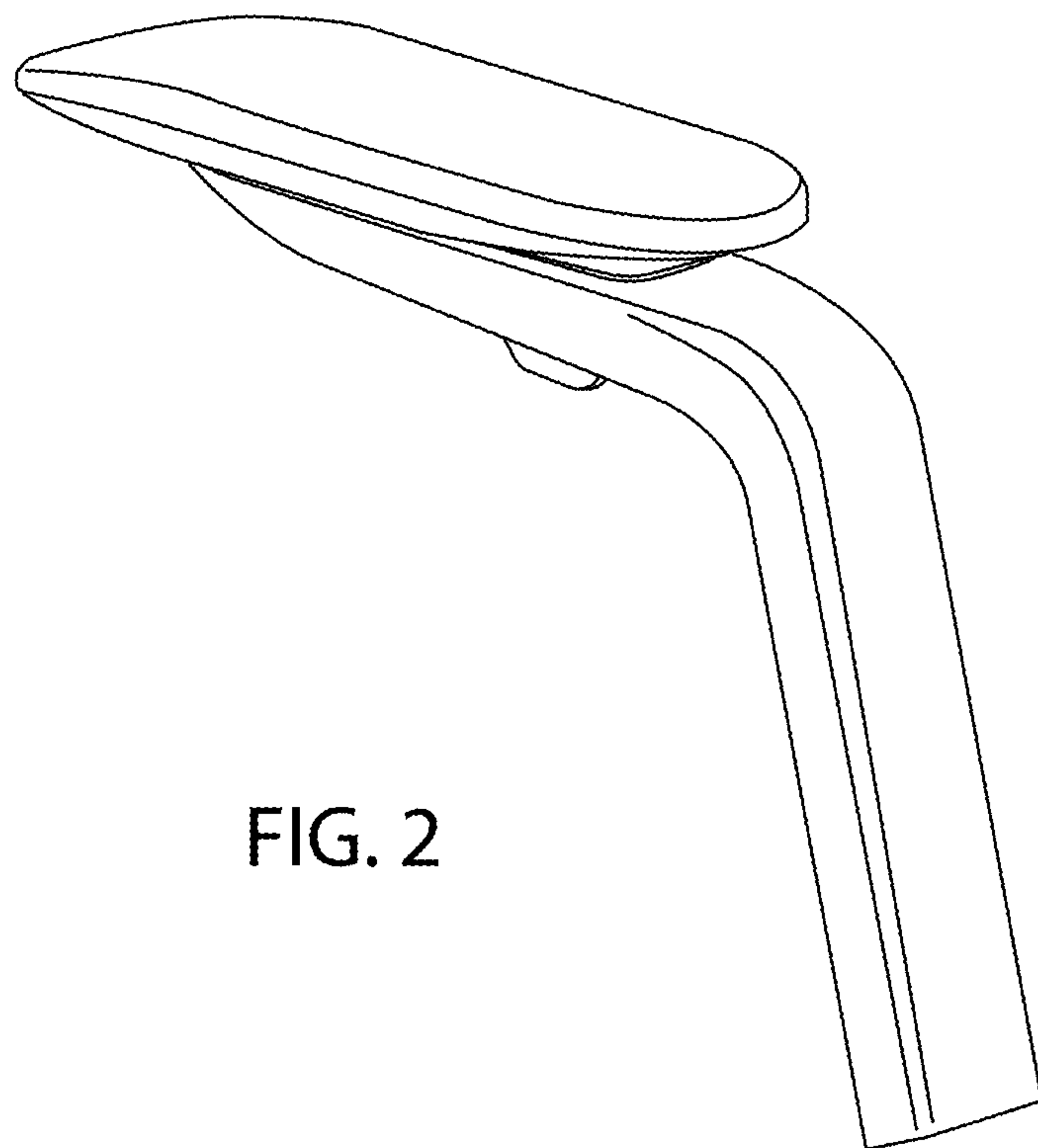


FIG. 2

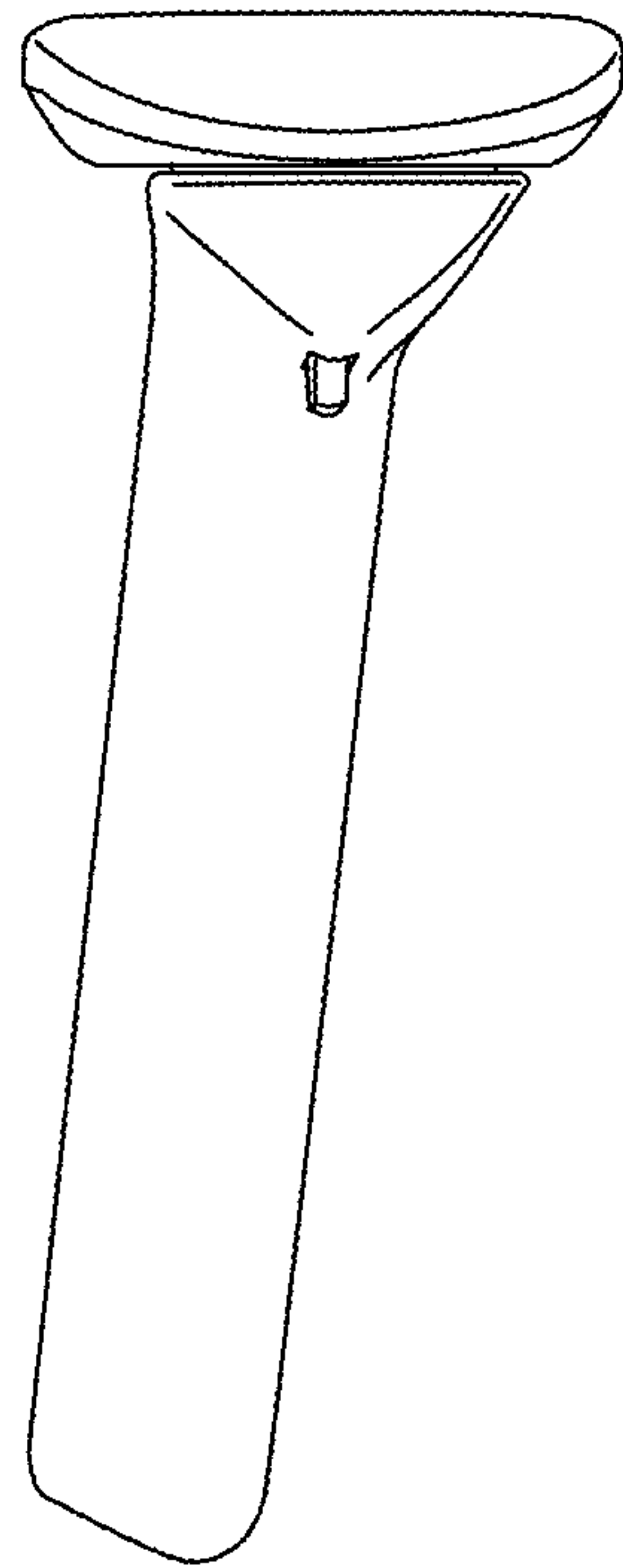


FIG. 3

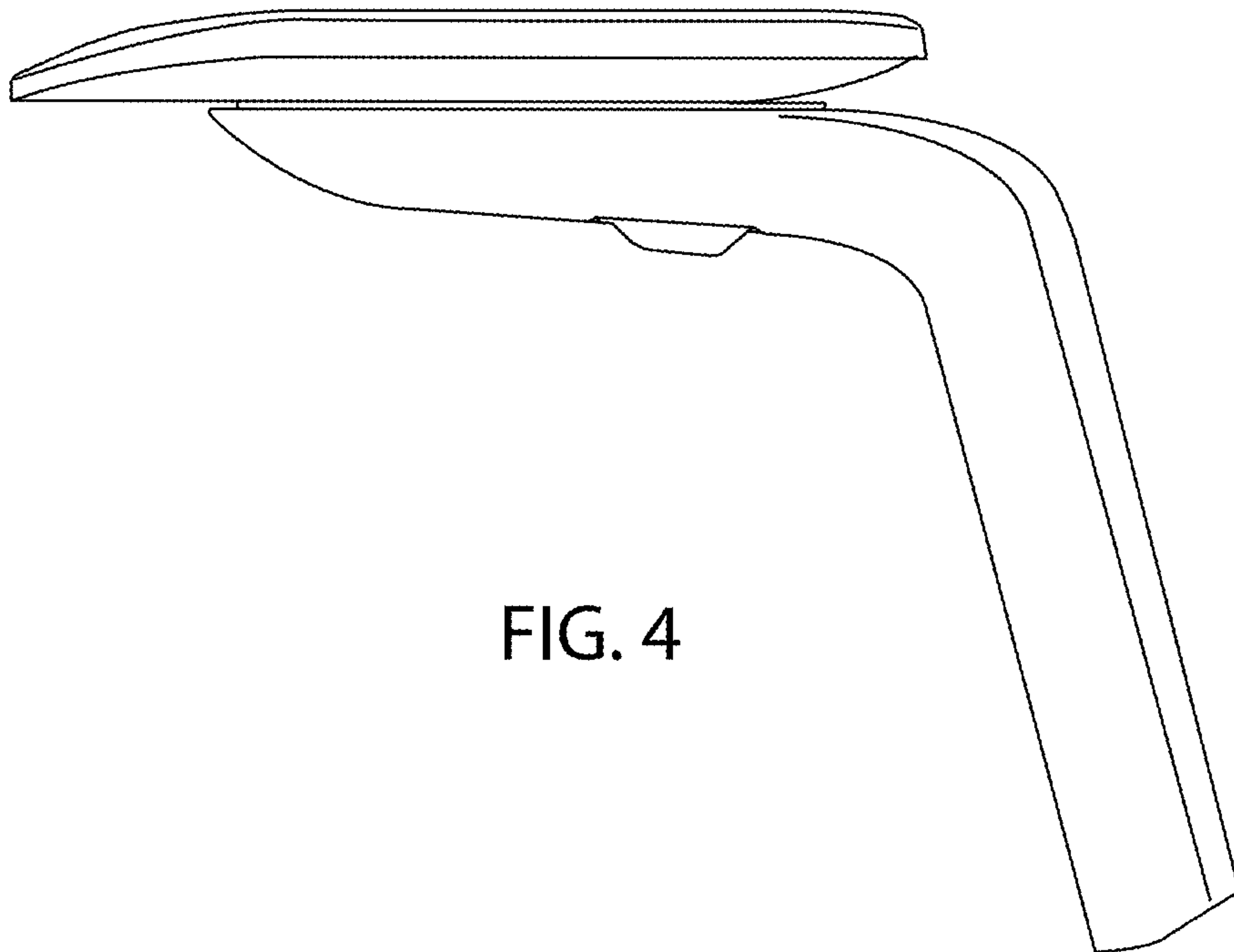


FIG. 4

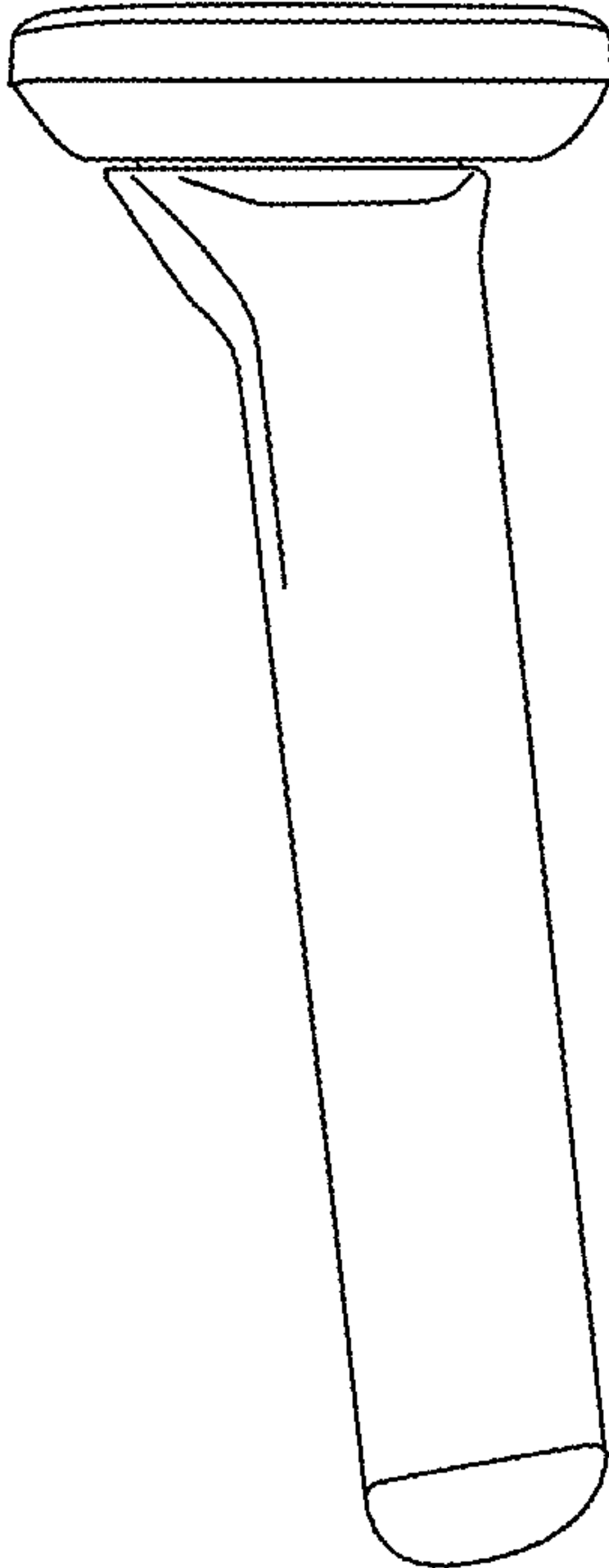


FIG. 5

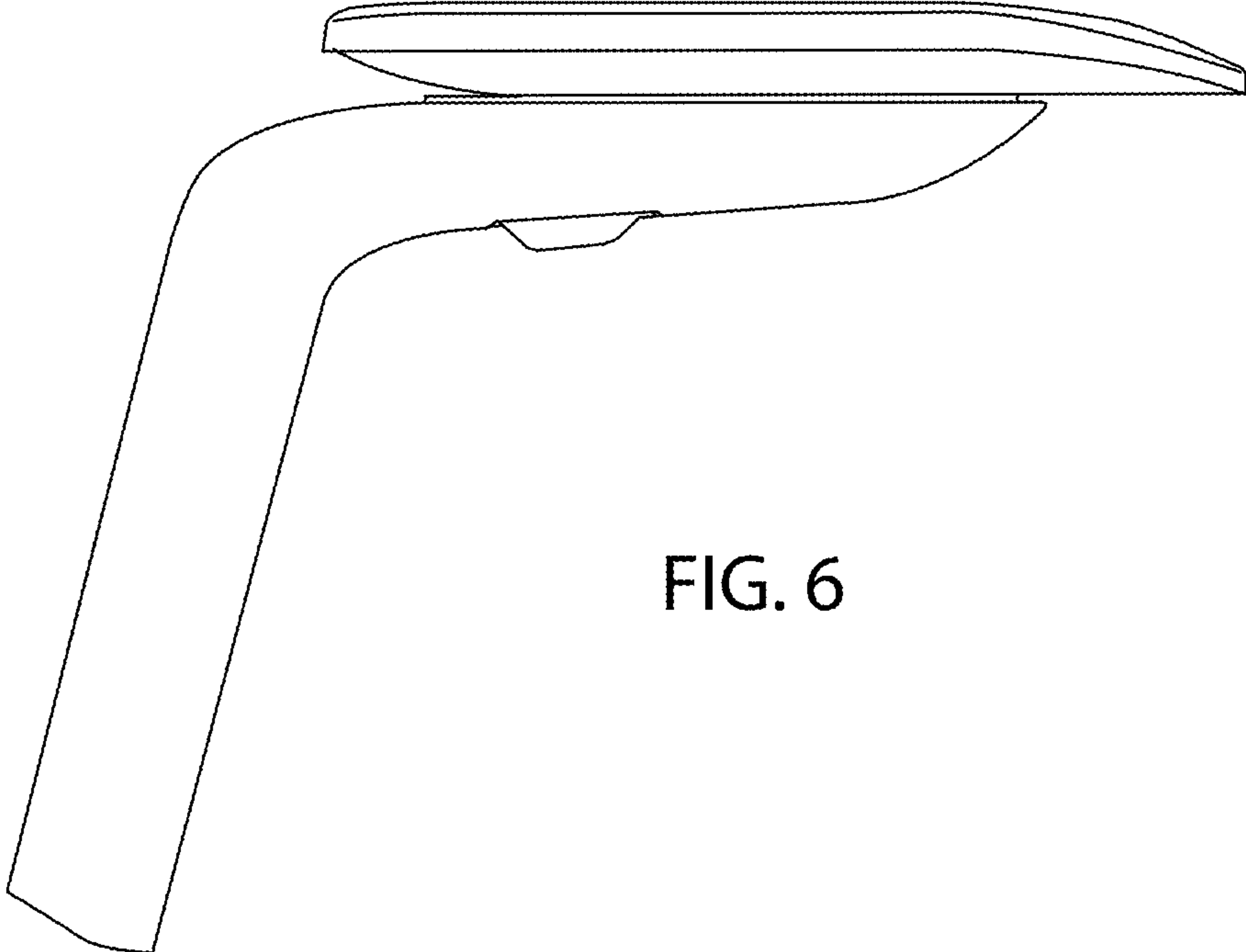


FIG. 6

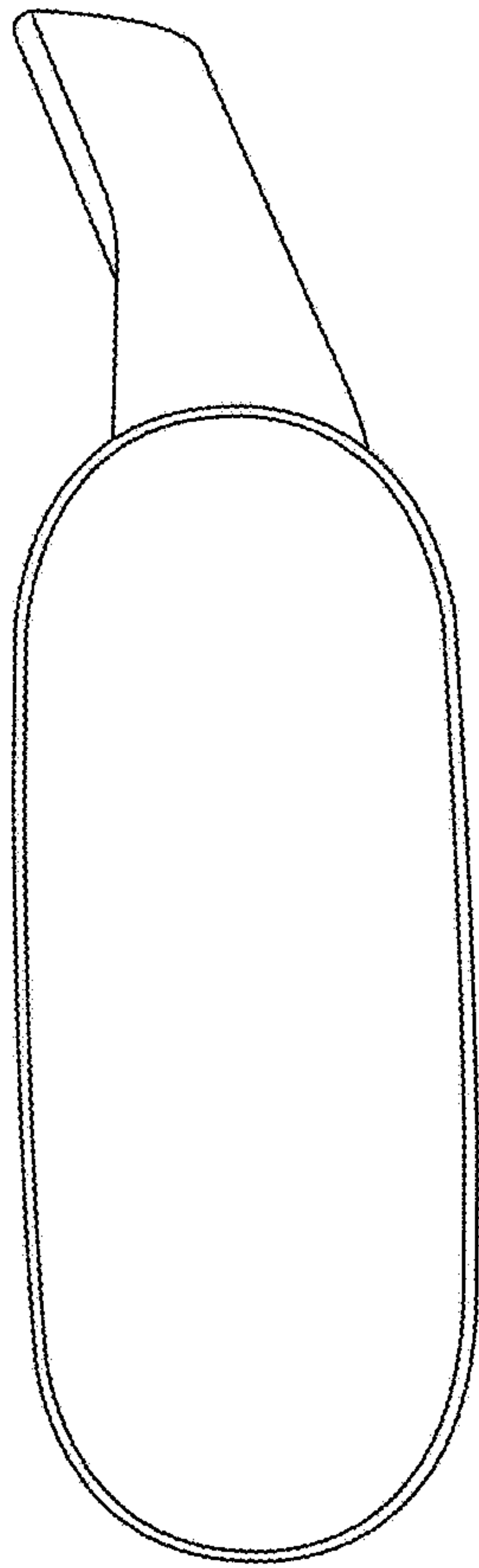


FIG. 7

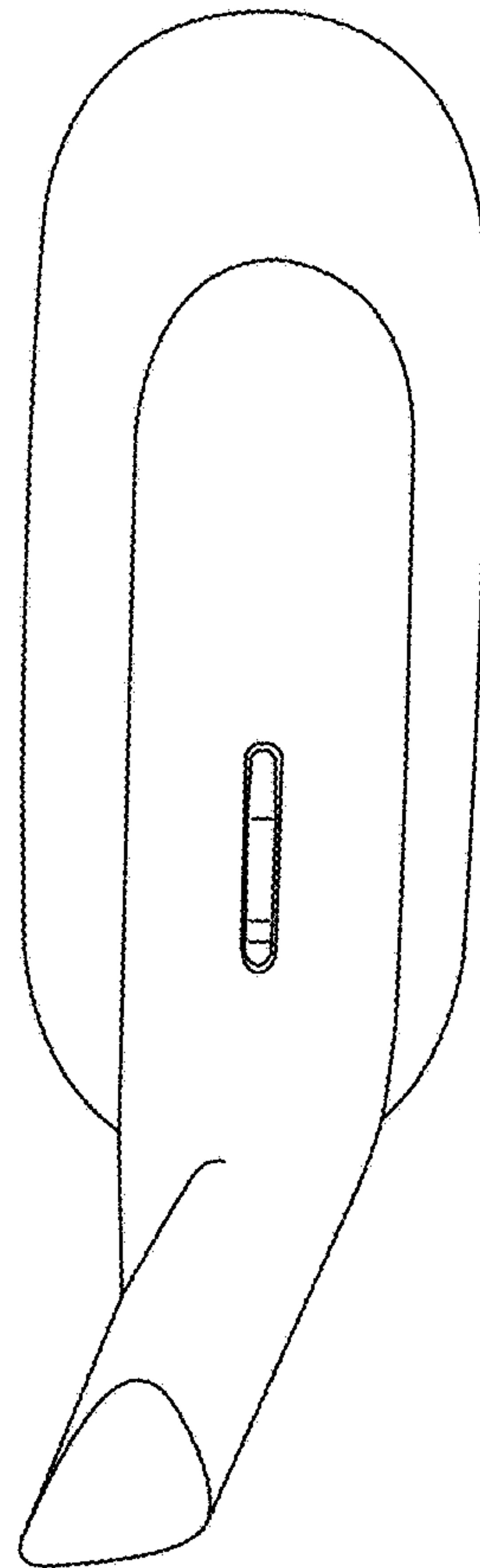


FIG. 8