



US00D829032S

(12) **United States Design Patent**
McGowan

(10) **Patent No.:** **US D829,032 S**

(45) **Date of Patent:** **** Sep. 25, 2018**

(54) **CHAIR**

(71) Applicant: **John Paul McGowan**, Rockville, MD
(US)

(72) Inventor: **John Paul McGowan**, Rockville, MD
(US)

(**) Term: **15 Years**

(21) Appl. No.: **29/592,331**

(22) Filed: **Jan. 30, 2017**

(51) **LOC (11) Cl.** **06-01**

(52) **U.S. Cl.**
USPC **D6/716; D6/364; D6/375**

(58) **Field of Classification Search**
USPC D6/334-336, 364, 365, 374, 375, 376,
D6/716, 716.1, 716.2, 716.3, 716.4,
D6/708.17

CPC A47C 3/12; A47C 3/18; A47C 4/03; A47C
5/12; A47C 7/16; A47C 7/02

See application file for complete search history.

(56) **References Cited**

U.S. PATENT DOCUMENTS

D211,463 S * 6/1968 Platner D6/364
D224,867 S * 10/1972 Burke D6/364

7,140,685 B2 * 11/2006 Gardner A47C 3/18
297/344.26
D573,806 S * 7/2008 Pillet D6/375
D646,085 S * 10/2011 Overthun D6/716
D672,975 S * 12/2012 Rashid D6/335
D766,637 S * 9/2016 Kirar D6/716
D785,997 S * 5/2017 Kirar D6/716

* cited by examiner

Primary Examiner — Mimoso De

(74) *Attorney, Agent, or Firm* — Westerman, Hattori,
Daniels & Adrian, LLP

(57) **CLAIM**

The ornamental design for a chair, as shown and described.

DESCRIPTION

FIG. 1 is a perspective view of a chair showing my new design.

FIG. 2 is a front elevational view thereof.

FIG. 3 is a rear elevational view thereof.

FIG. 4 is a right side elevational view thereof.

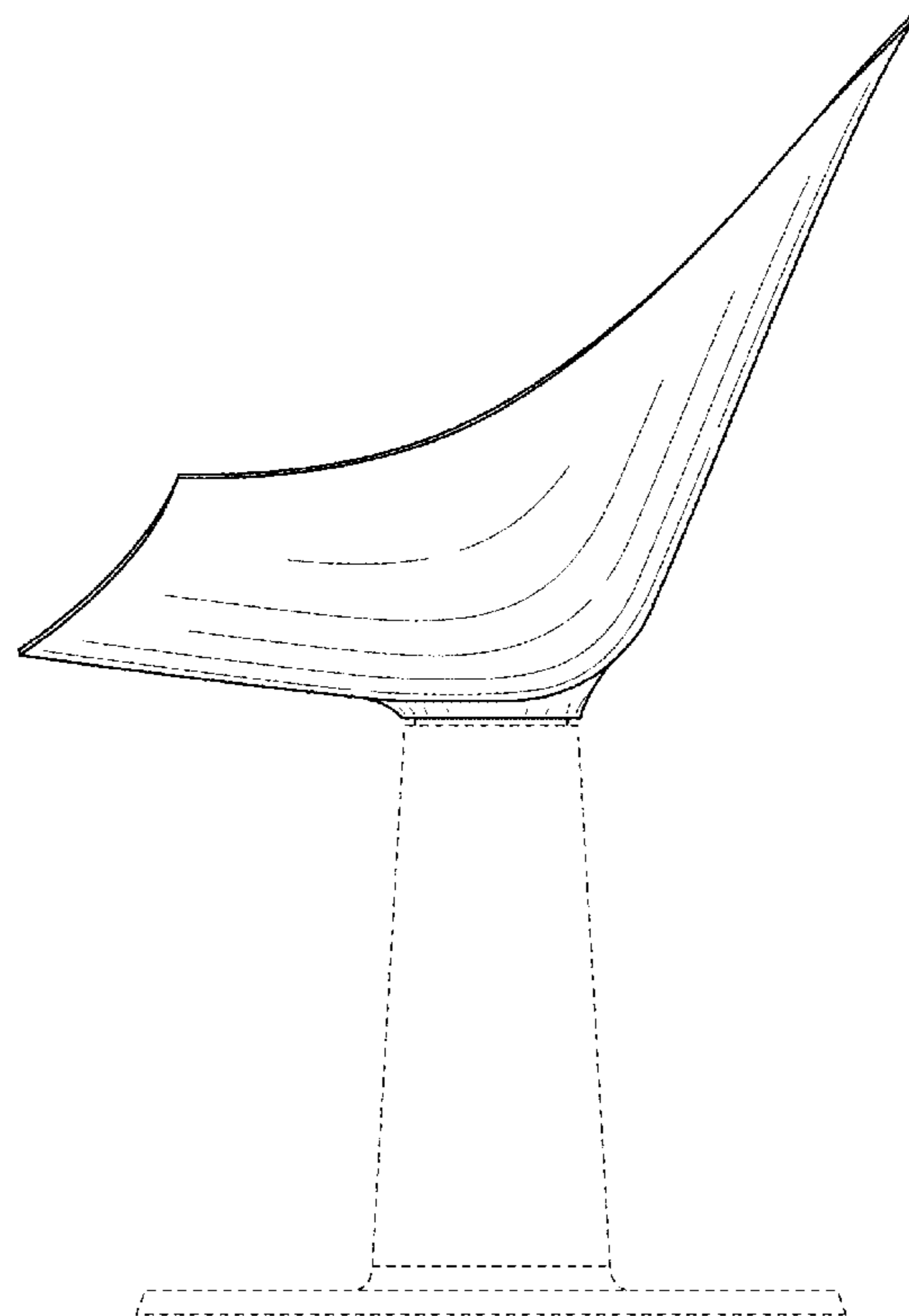
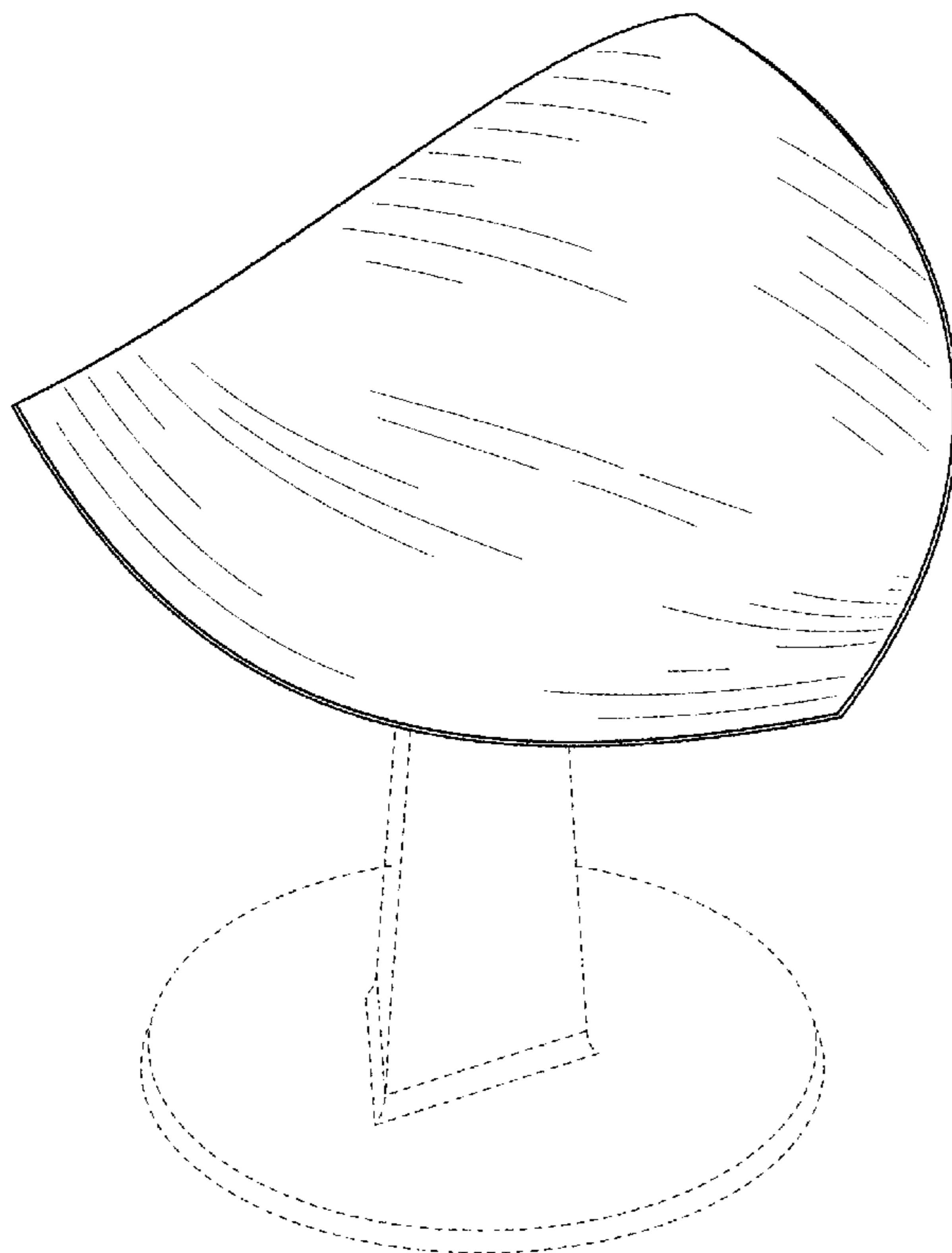
FIG. 5 is a left side elevational view thereof.

FIG. 6 is a top plan view thereof; and,

FIG. 7 is a bottom plan view thereof.

Broken line disclosure represents portions of the chair which form no part of the claimed design.

1 Claim, 6 Drawing Sheets



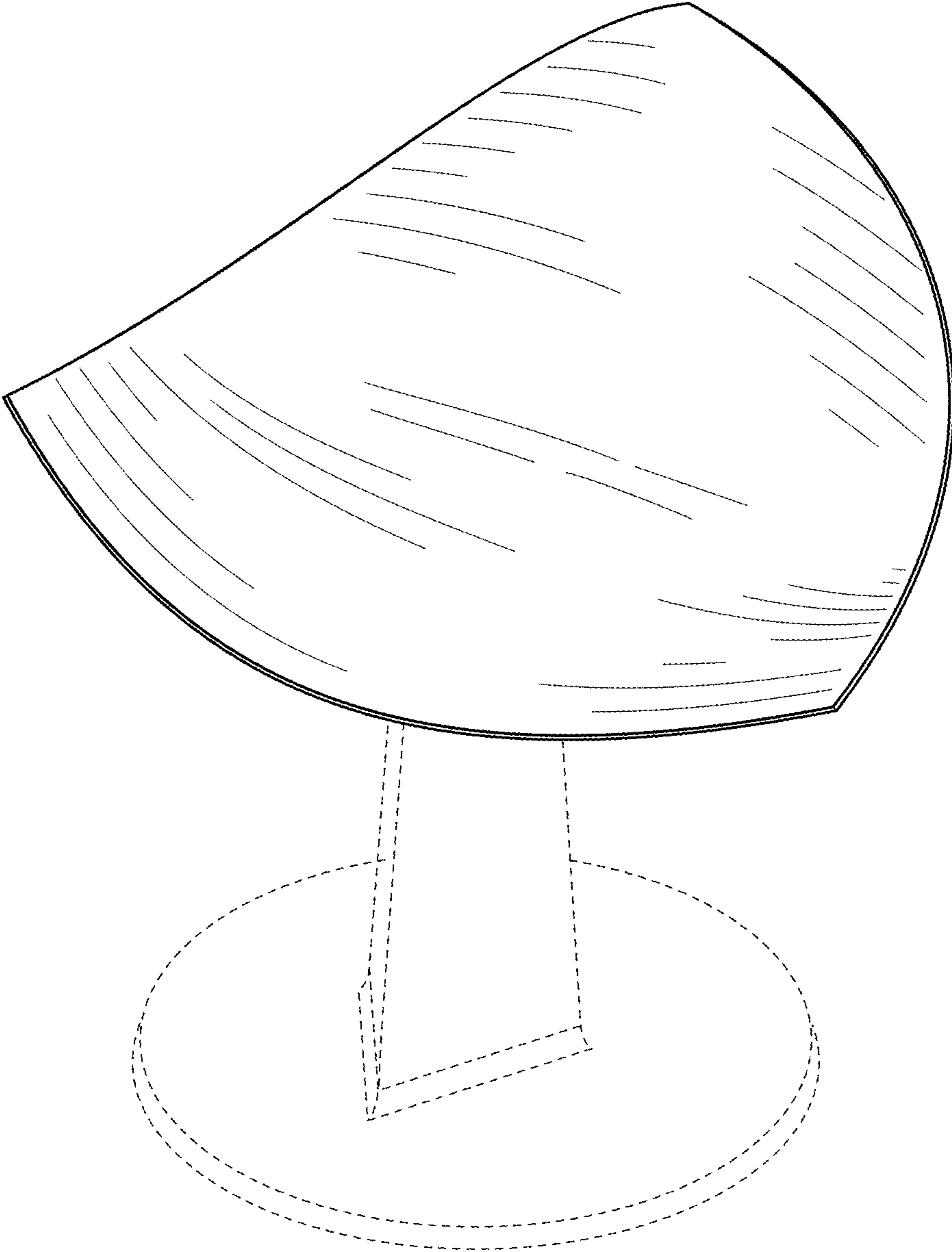


FIG. 1

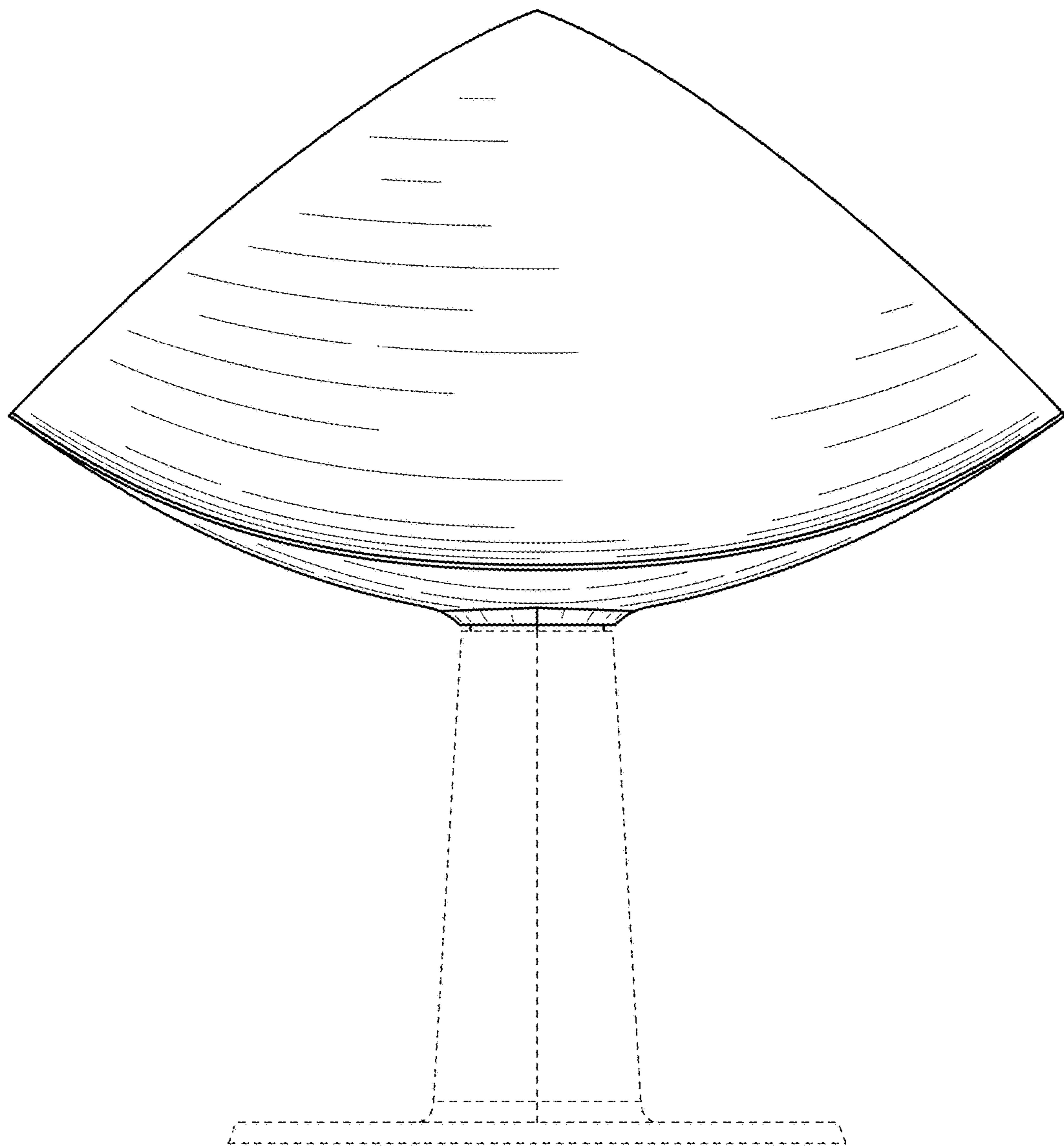


FIG. 2

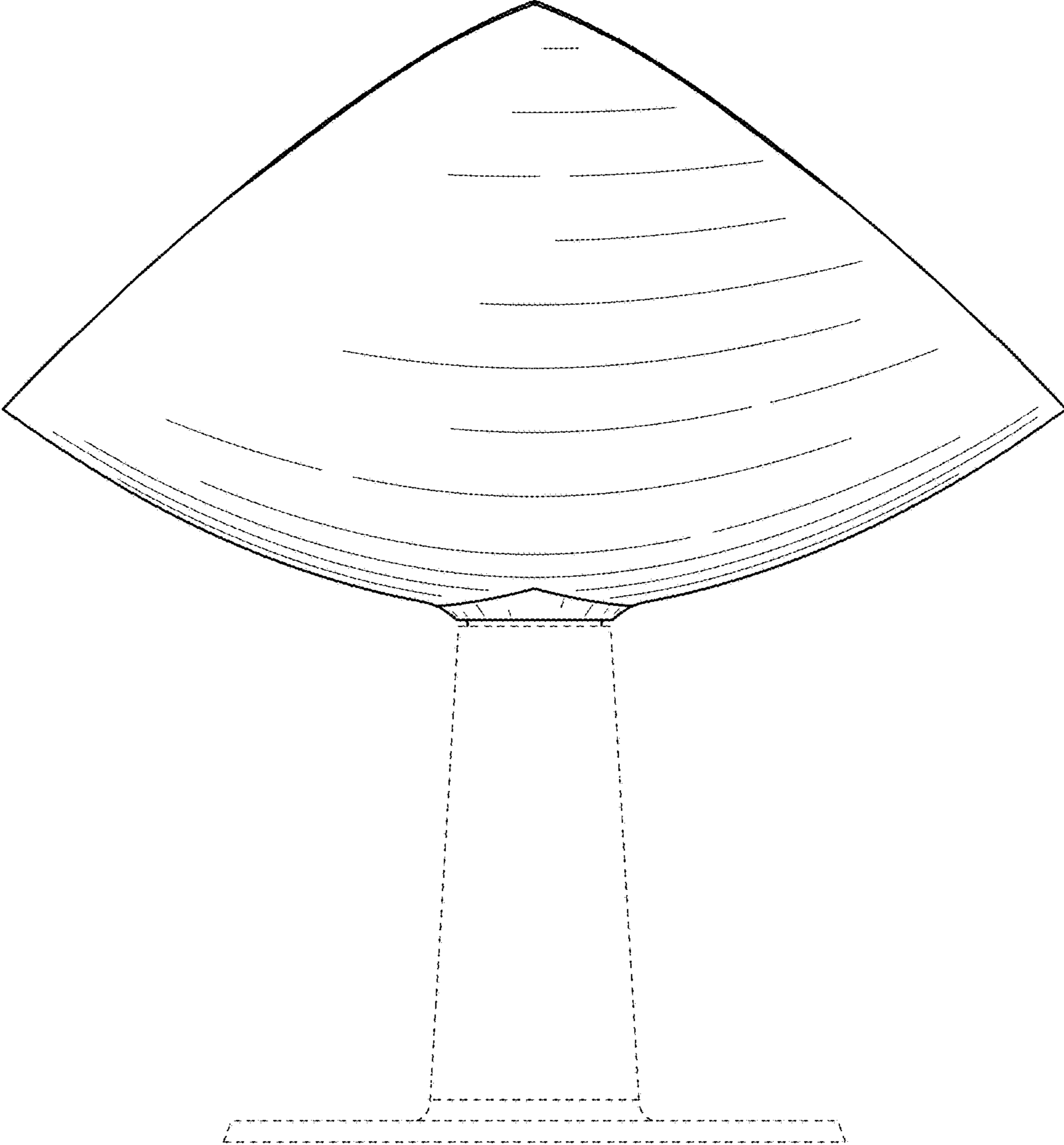


FIG. 3

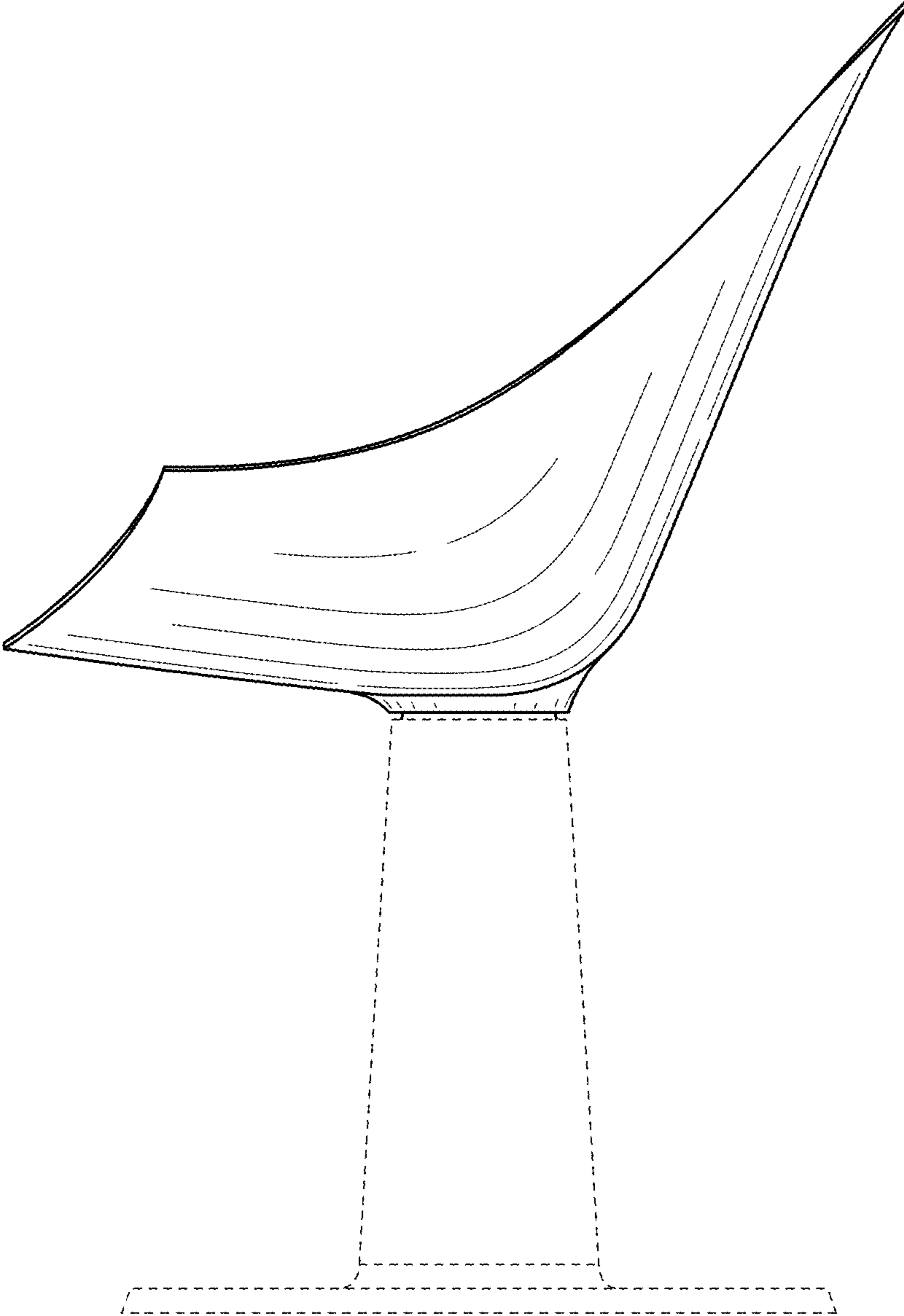


FIG. 4

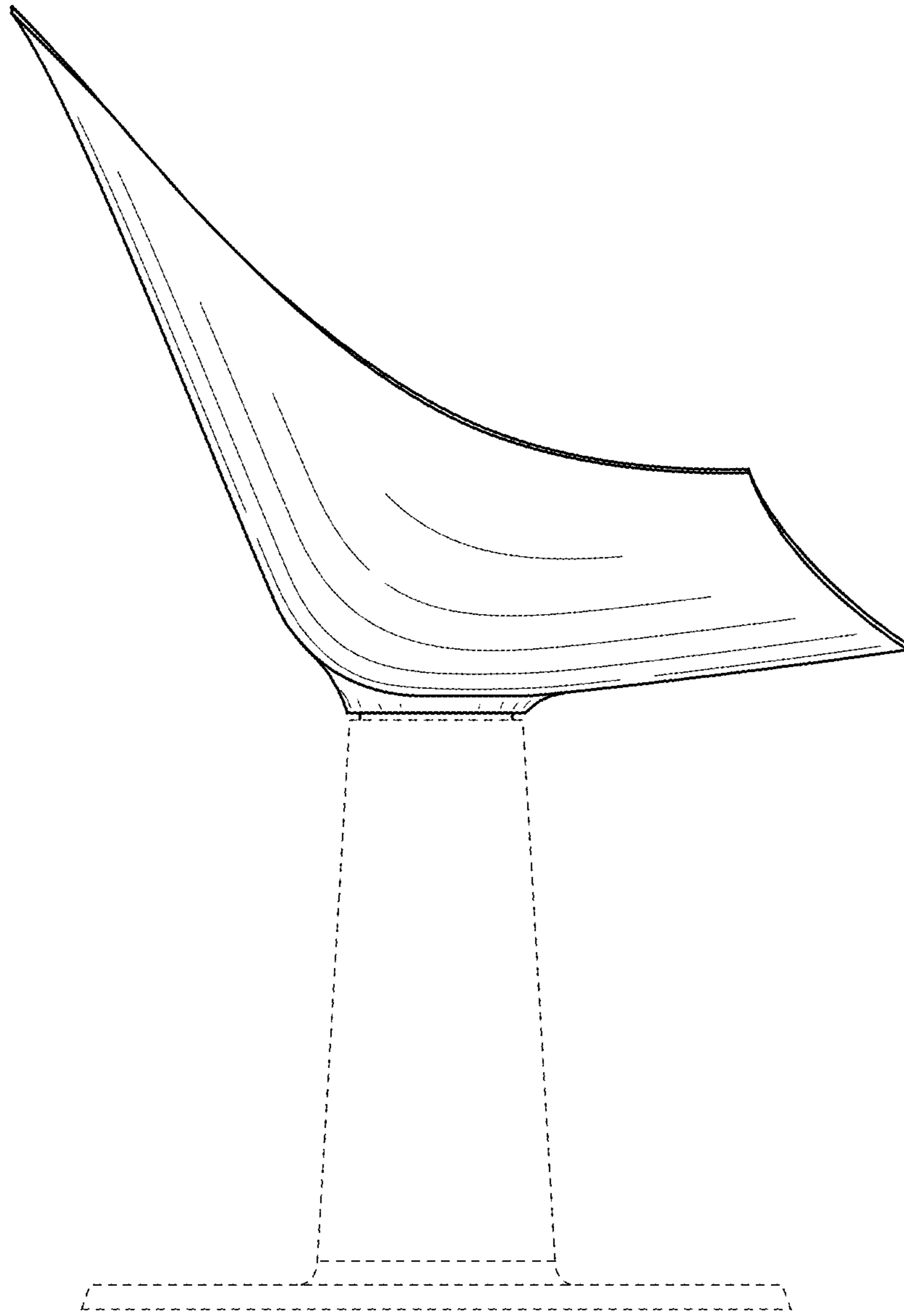


FIG. 5

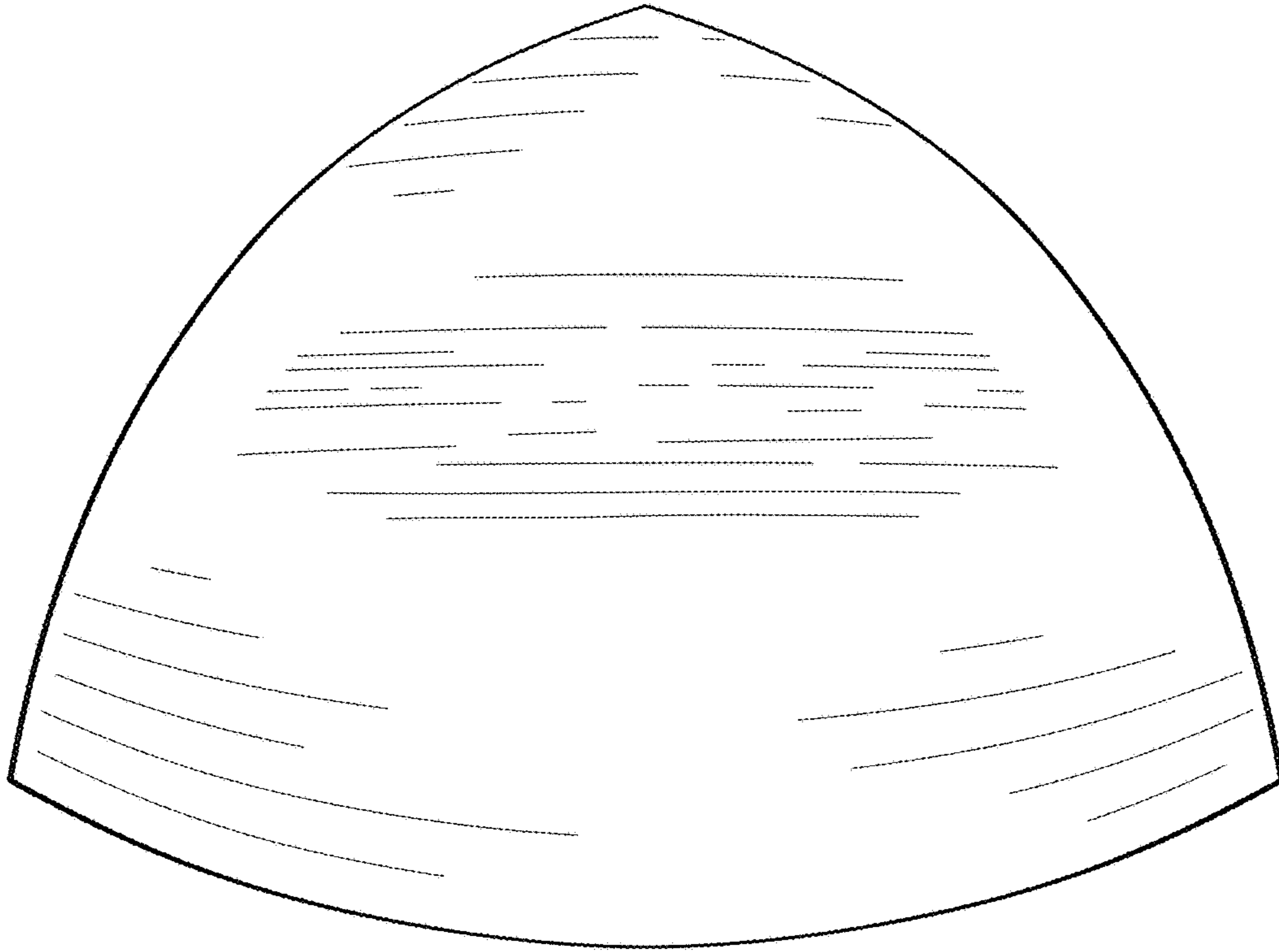


FIG. 6

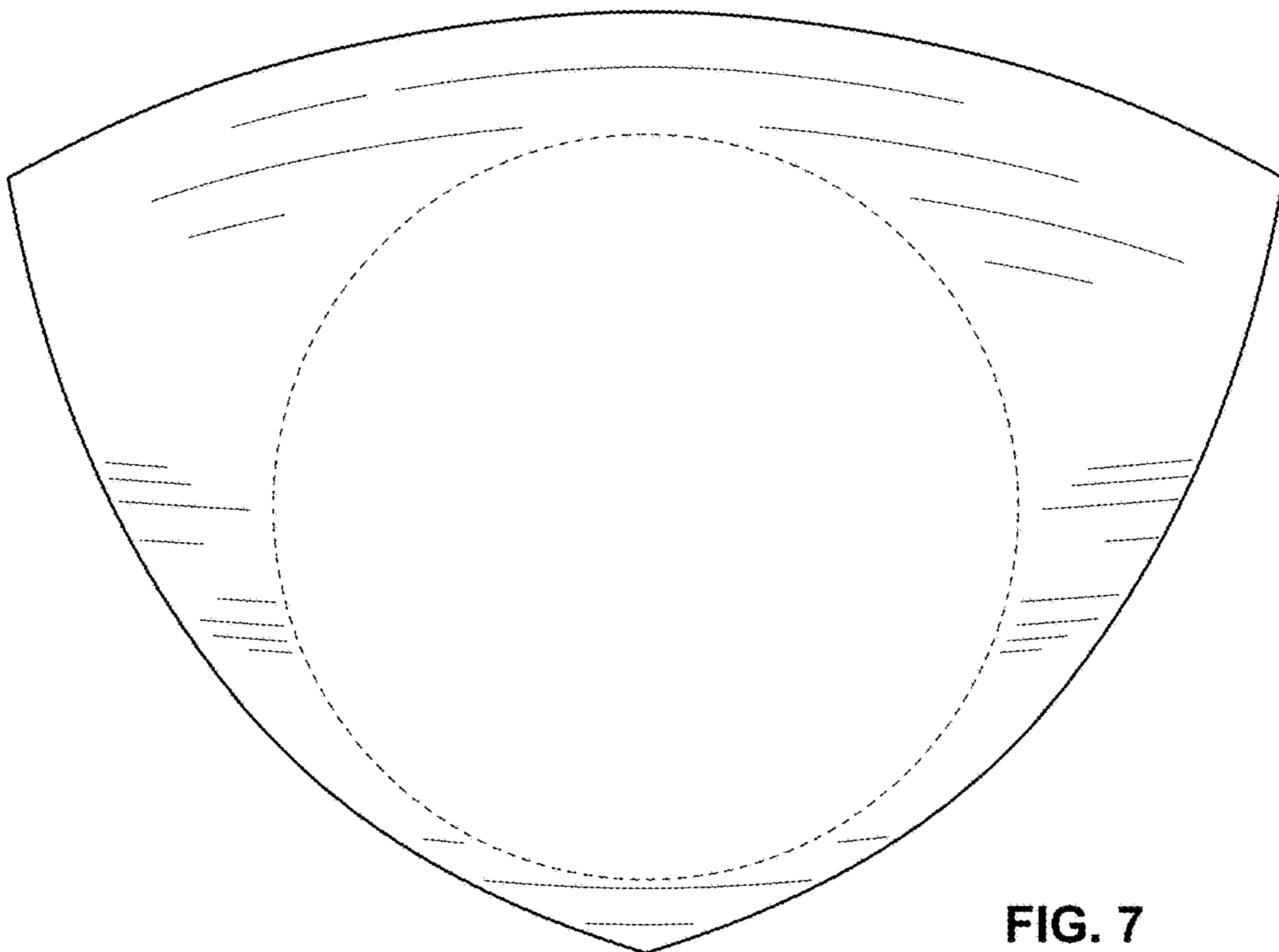


FIG. 7