



US00D829031S

(12) **United States Design Patent**
Izawa

(10) **Patent No.:** **US D829,031 S**

(45) **Date of Patent:** **** Sep. 25, 2018**

(54) **CHAIR**

(71) Applicant: **Okamura Corporation**, Yokohama-shi,
Kanagawa (JP)

(72) Inventor: **Syouichi Izawa**, Yokohama (JP)

(73) Assignee: **Okamura Corporation**, Yokohama-shi,
Kanagawa (JP)

(**) Term: **15 Years**

(21) Appl. No.: **29/599,357**

(22) Filed: **Apr. 3, 2017**

(30) **Foreign Application Priority Data**

Oct. 4, 2016 (JP) 2016-021561

(51) **LOC (11) Cl.** **06-01**

(52) **U.S. Cl.**
USPC **D6/708.23**

(58) **Field of Classification Search**

USPC D6/334-336, 360, 364, 365, 366, 374,
D6/375, 379, 380, 716, 716.1, 716.2,
D6/716.4, 708.23

CPC .. A47C 7/16; A47C 7/54; A47C 7/022; A47C
7/18; A47C 7/24; A47C 7/282; A47C
7/285; A47C 7/40; A47C 7/44; A47C
9/007

See application file for complete search history.

(56) **References Cited**

U.S. PATENT DOCUMENTS

D206,118 S * 11/1966 Bates D6/360
D257,473 S * 11/1980 Wilson D6/360

D261,078 S * 10/1981 Wilson D6/360
D273,729 S * 5/1984 Pelly D6/366
D274,865 S * 7/1984 Murry D6/360
D275,054 S * 8/1984 Aronowitz D6/360
D283,762 S * 5/1986 Caruso D6/335
D296,623 S * 7/1988 Chadwick D6/360
D326,372 S * 5/1992 Edwards D6/360
D591,537 S * 5/2009 Zhang D6/708.23
D693,586 S * 11/2013 Lenterman D6/366

* cited by examiner

Primary Examiner — Mimoso De

(74) *Attorney, Agent, or Firm* — Banner & Witcoff, Ltd.

(57) **CLAIM**

The ornamental design for a chair, as shown and described.

DESCRIPTION

FIG. 1 is a front perspective view of a chair showing my new design;

FIG. 2 is a rear perspective view thereof;

FIG. 3 is a front view thereof;

FIG. 4 is a rear view thereof;

FIG. 5 is a top view thereof;

FIG. 6 is a bottom view thereof.

FIG. 7 is a left side view thereof; and,

FIG. 8 is a right side view thereof.

The broken lines in figures are for the purpose of illustrating portions of the chair and form no part of the claimed design.

1 Claim, 7 Drawing Sheets

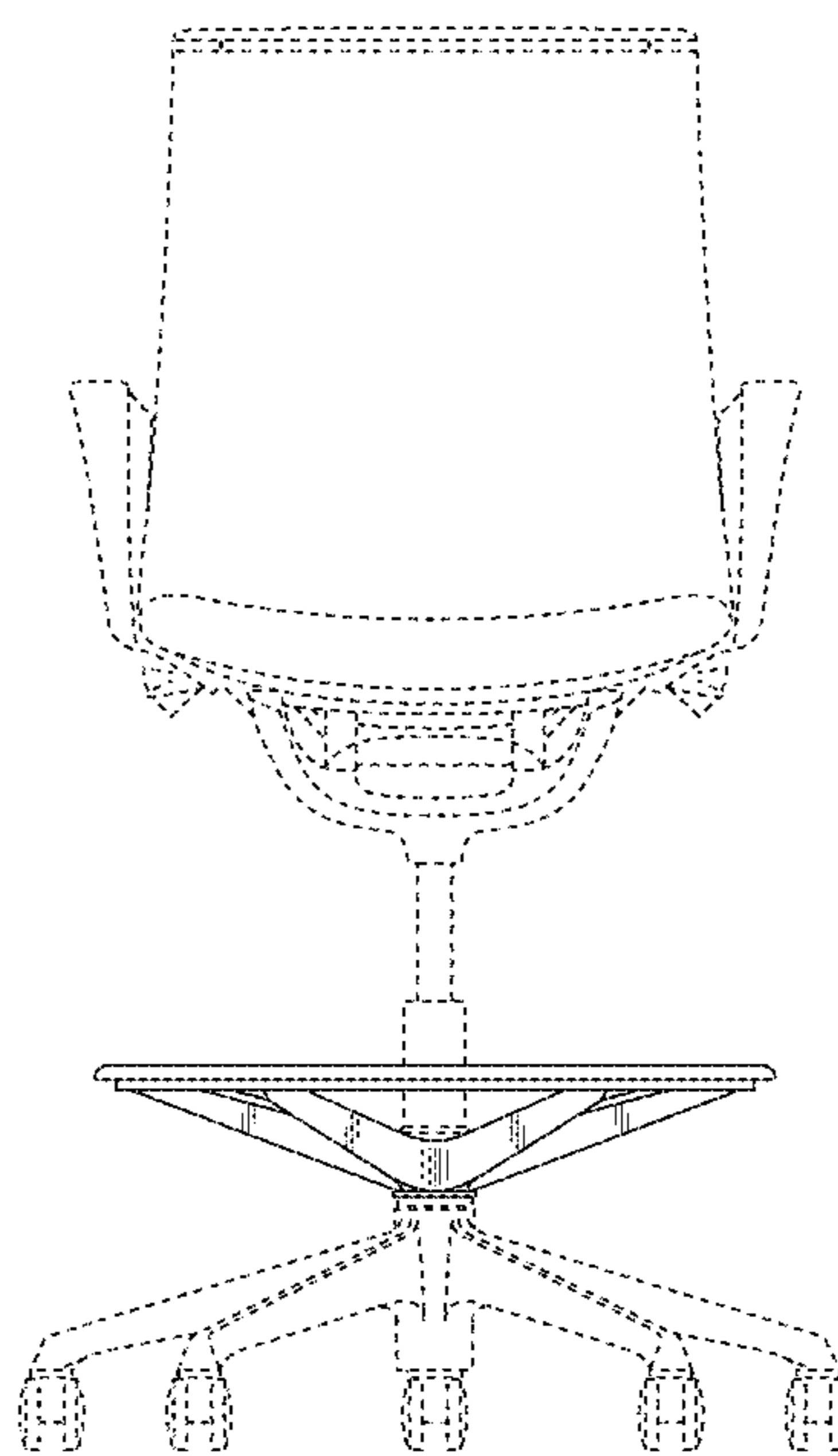
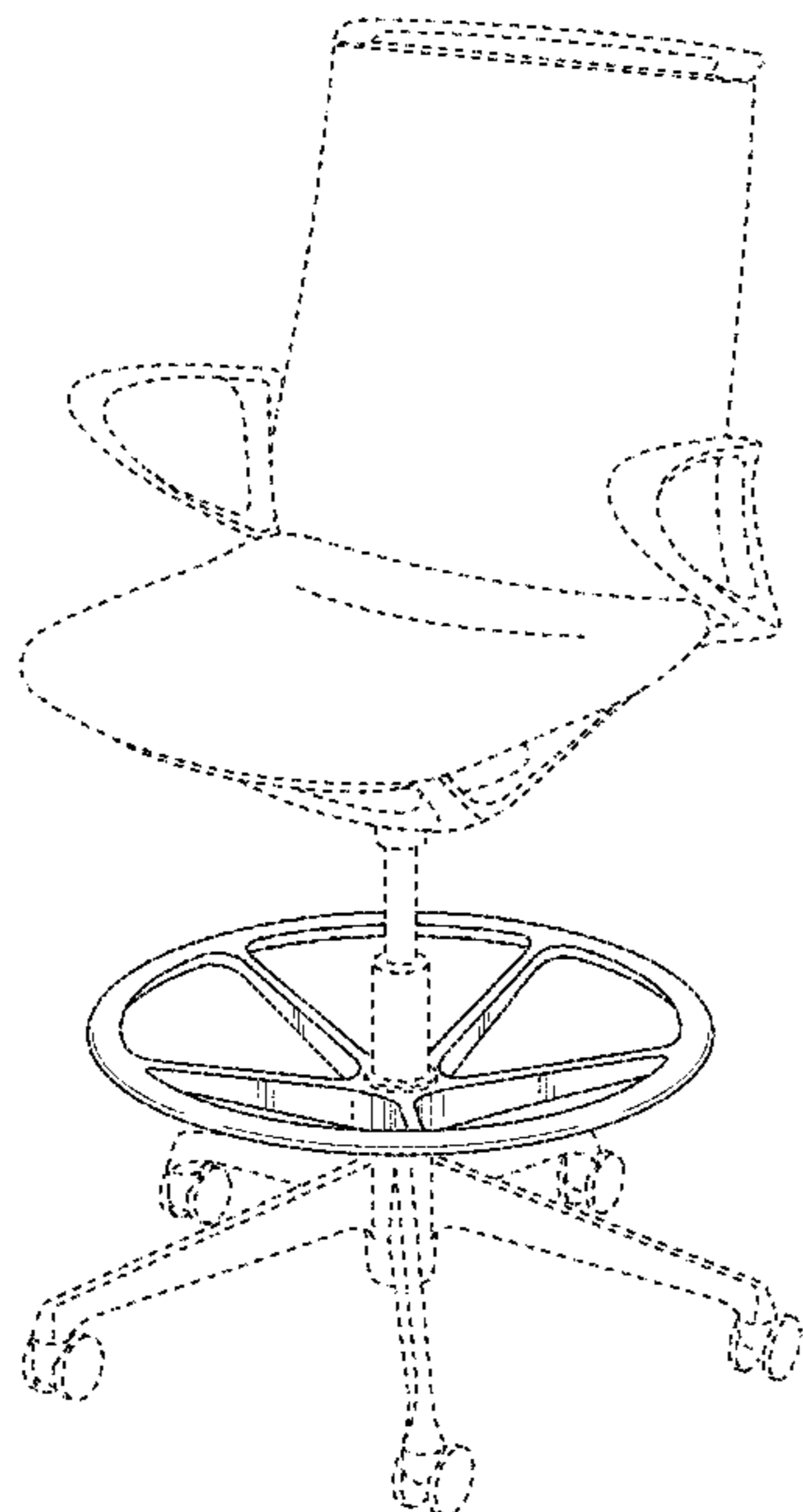


FIG. 1

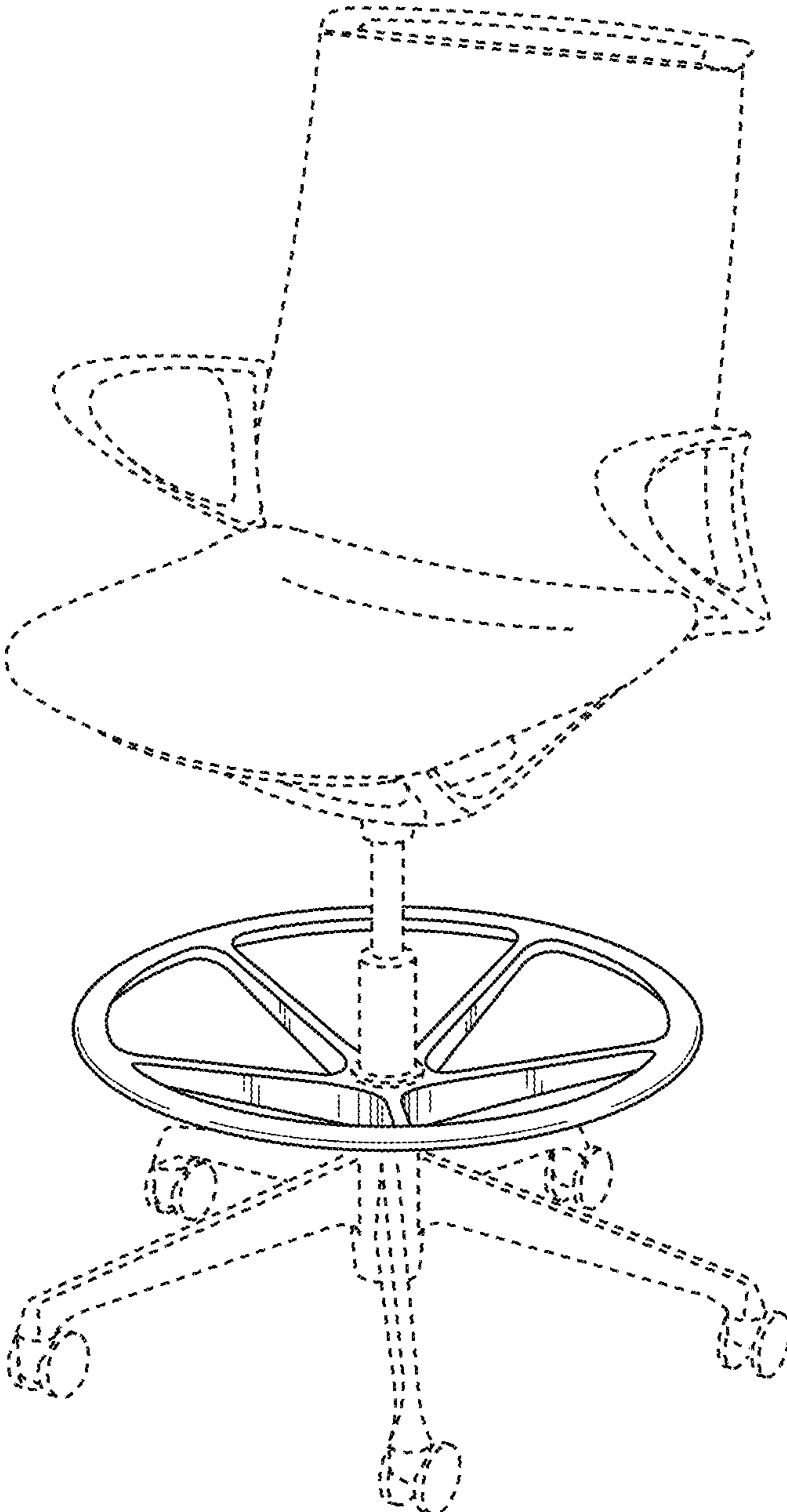


FIG. 2

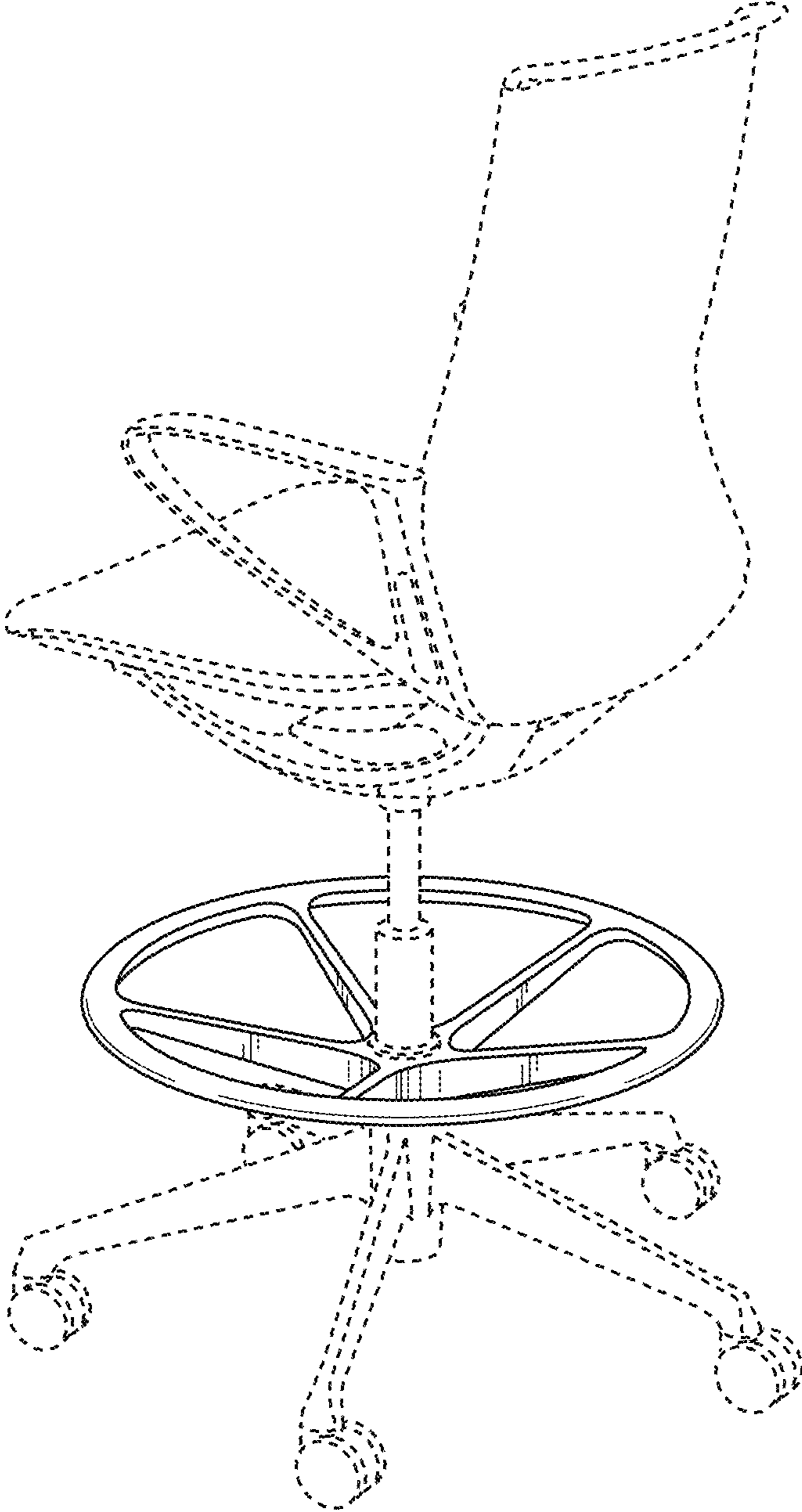


FIG. 3

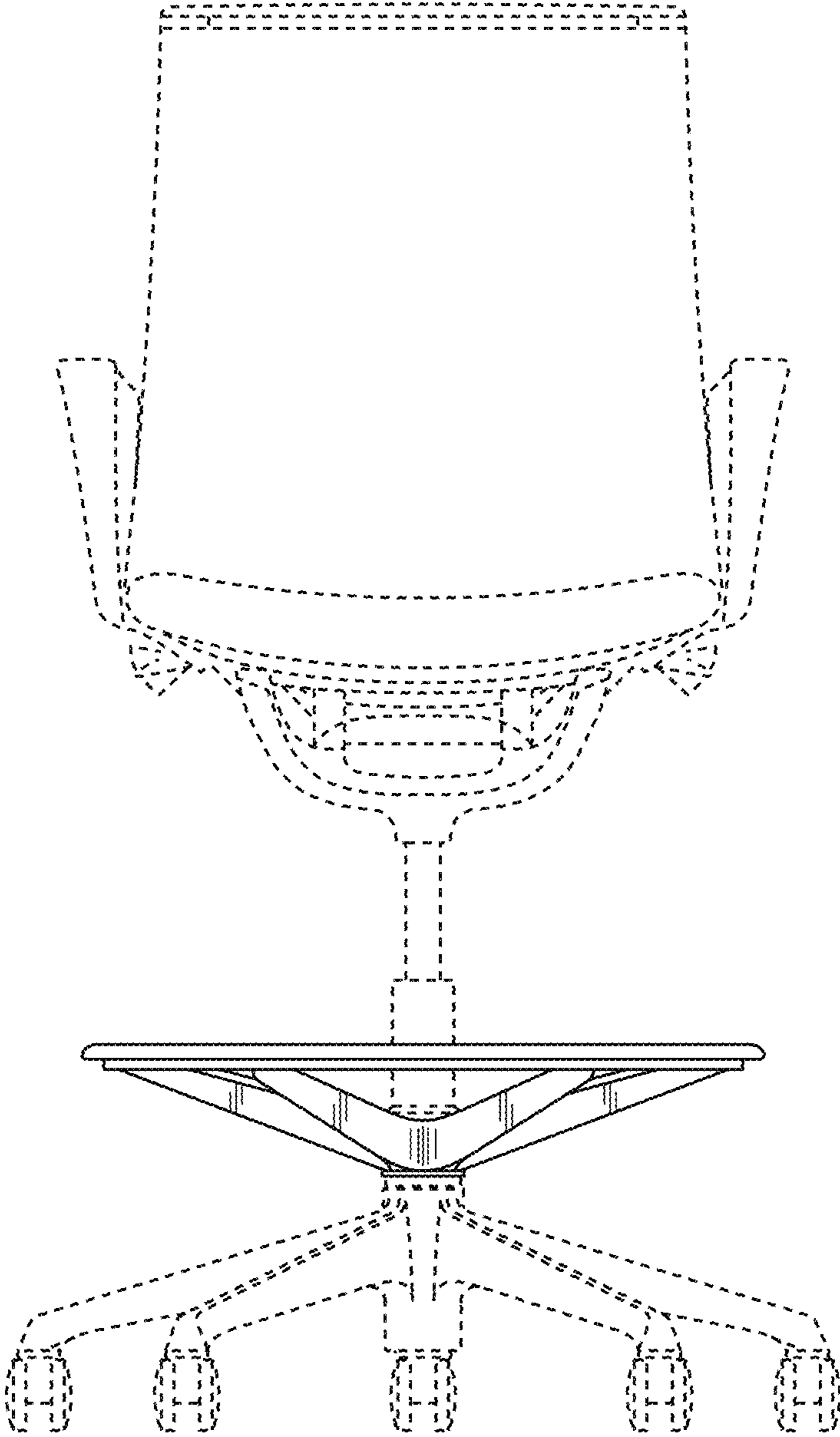


FIG. 4

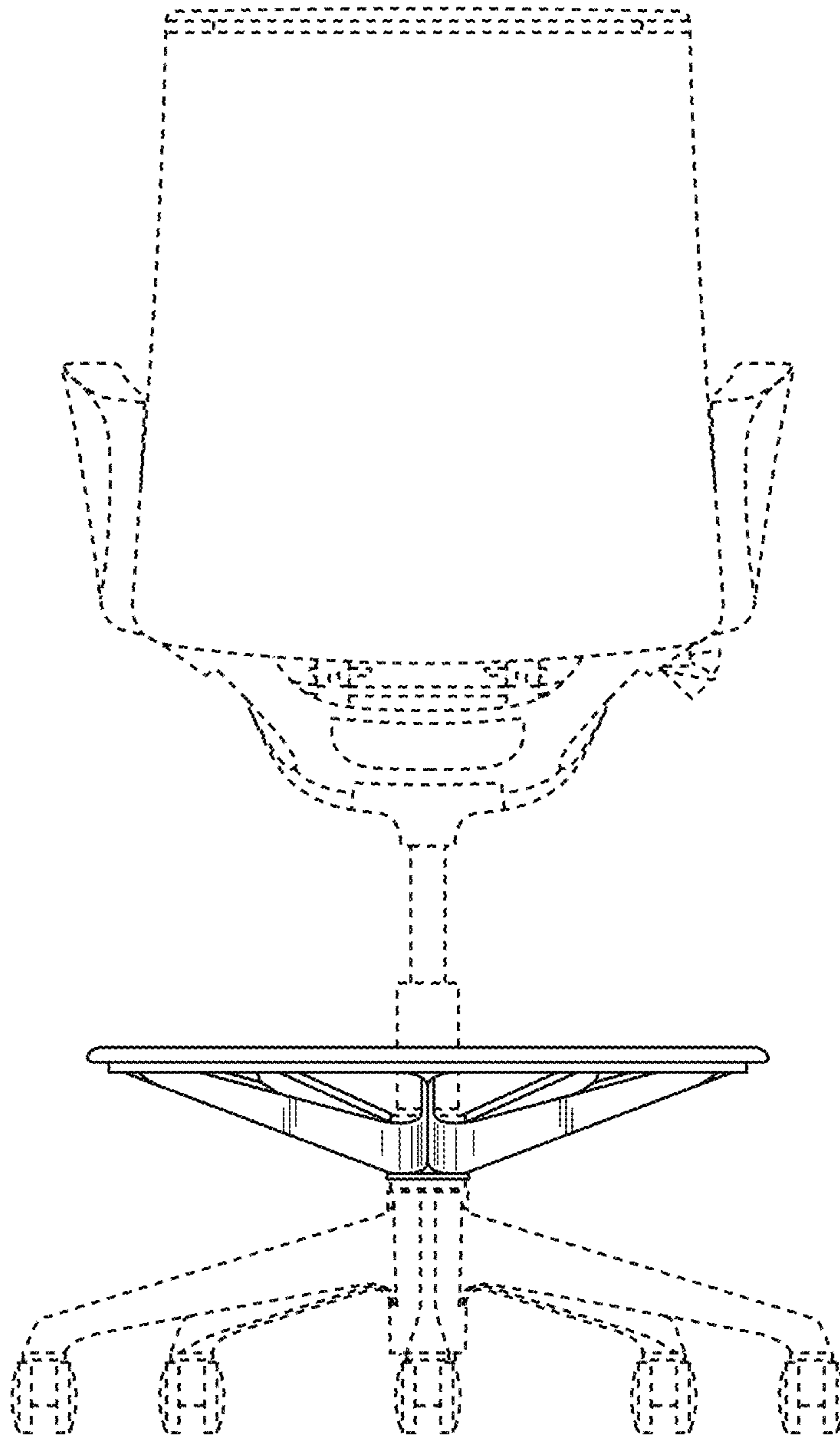


FIG. 5

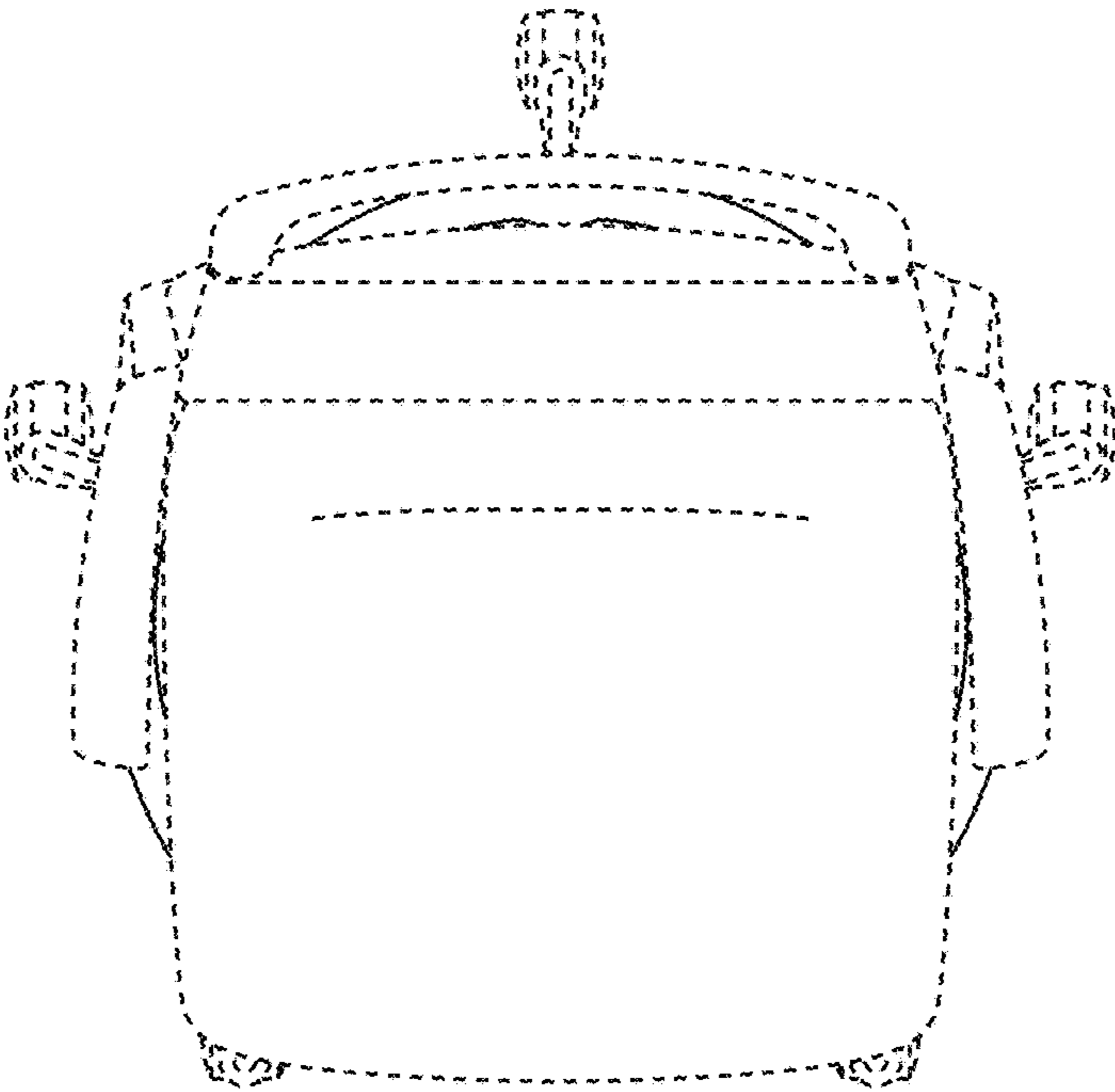


FIG. 6

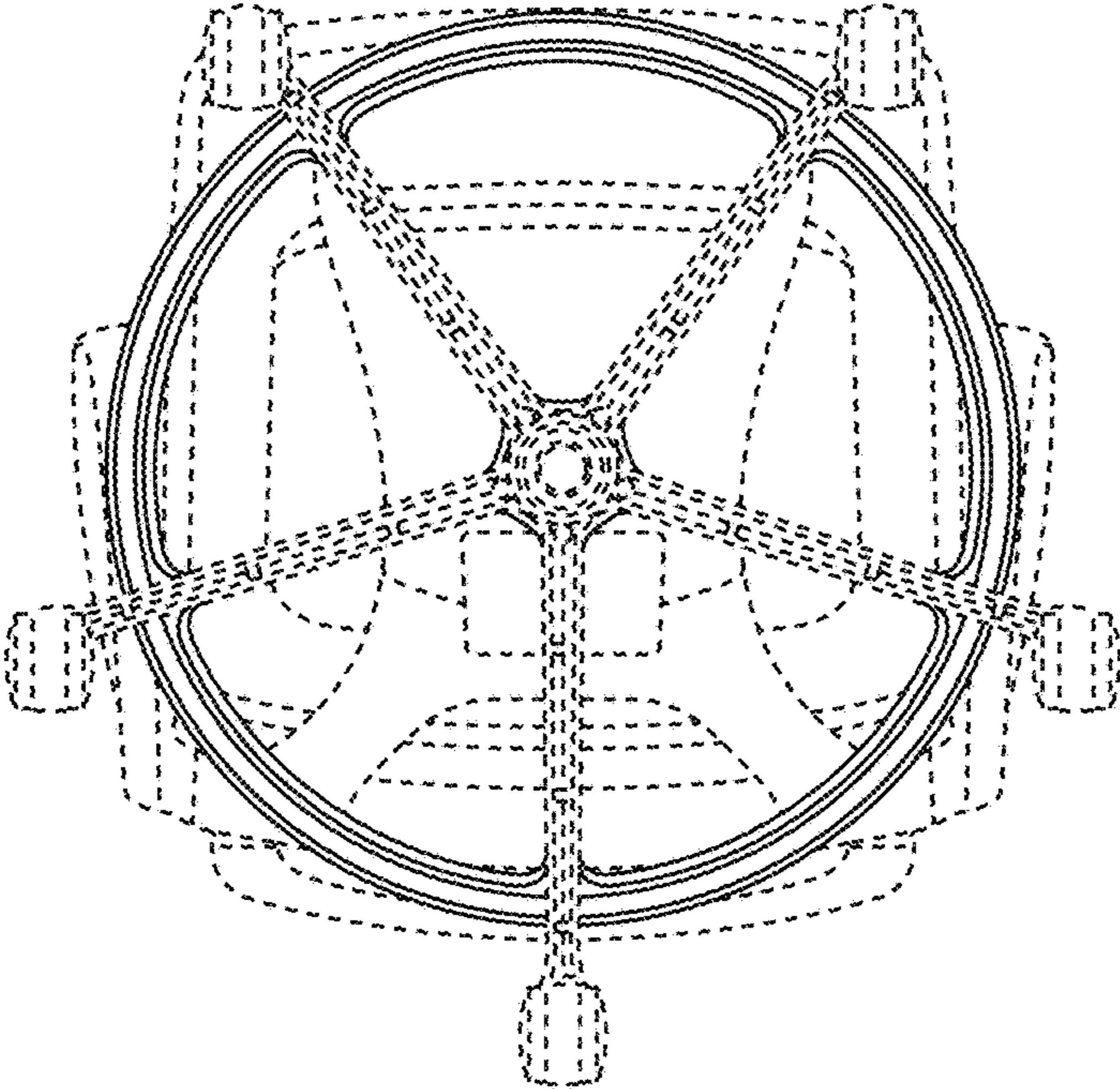


FIG. 7

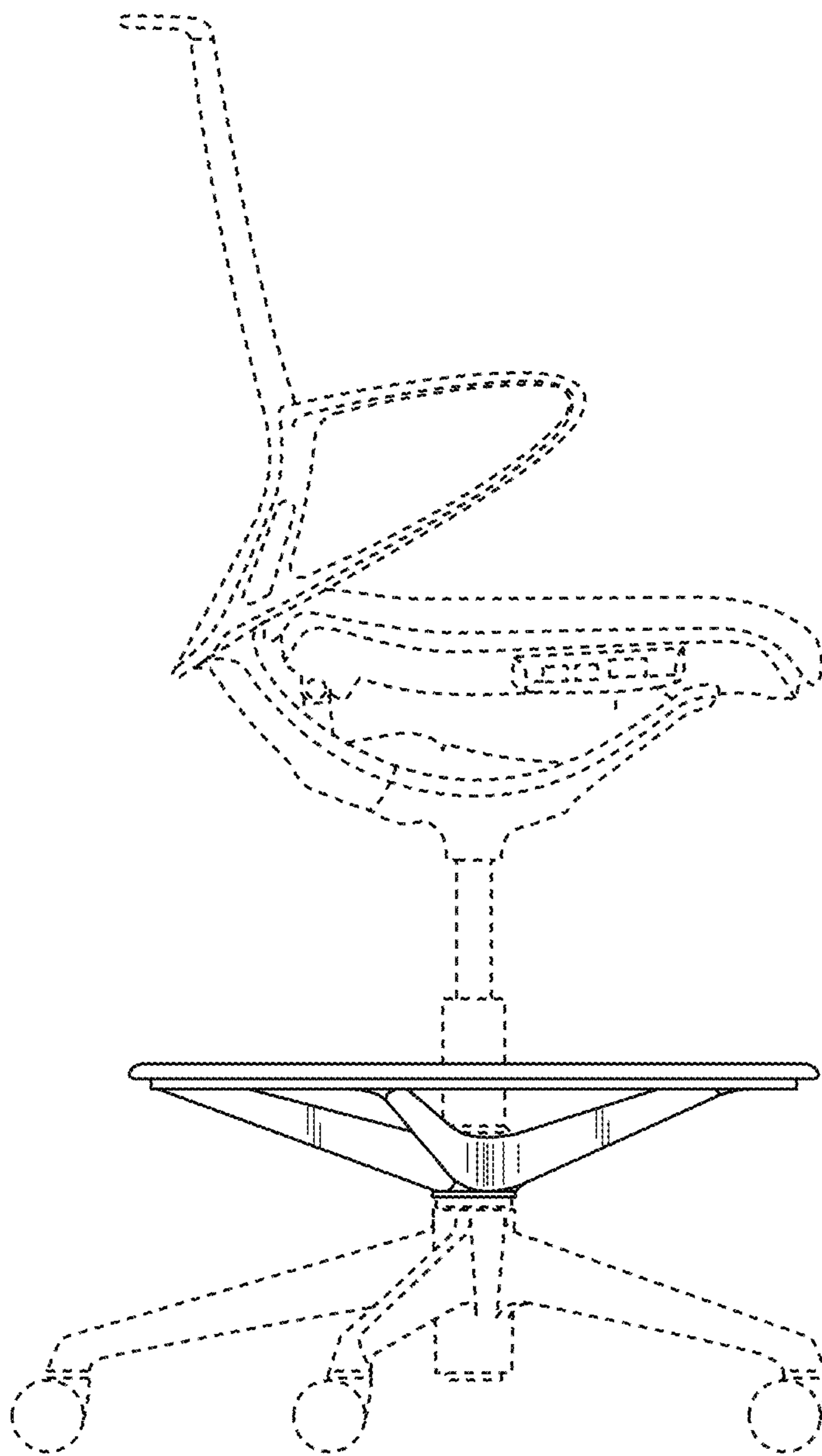


FIG. 8

