



US00D829030S

(12) **United States Design Patent**
Lee et al.

(10) **Patent No.:** **US D829,030 S**
(45) **Date of Patent:** **** Sep. 25, 2018**

- (54) **DESKTOP**
- (71) Applicant: **Samsung Electronics Co., Ltd.**,
Suwon-si, Gyeonggi-do (KR)
- (72) Inventors: **Ki-Oh Lee**, Seoul (KR); **Myoung-Lo Lee**, Seoul (KR)
- (73) Assignee: **SAMSUNG ELECTRONICS CO., LTD.**, Gyeonggi-Do (KR)
- (**) Term: **15 Years**
- (21) Appl. No.: **29/558,094**
- (22) Filed: **Mar. 15, 2016**
- (30) **Foreign Application Priority Data**
Nov. 17, 2015 (KR) 30-2015-0057837
- (51) **LOC (11) Cl.** **06-06**
- (52) **U.S. Cl.**
USPC **D6/707.19**
- (58) **Field of Classification Search**
USPC ... D6/406.1, 406.3, 406.6, 641, 656.18, 685,
D6/686, 691, 691.1-691.9, 702, 707,
D6/707.15, 707.19
CPC A47B 1/00; A47B 3/00; A47B 7/00; A47B
13/00; A47B 13/003; A47B 13/02; A47B
13/04; A47B 13/06; A47B 13/16; A47B
2200/00; A47B 2200/0001; A47B
2200/0004; A47B 2200/0008; A47B
2200/0011; A47B 2200/002; A47B 5/00;
A47B 5/02; A47B 5/04; A47B 5/06;
A47B 37/04; A47B 23/00; A47B 23/002;
A47B 23/04; G06F 1/203
See application file for complete search history.

- 4,836,403 A * 6/1989 Blackmon A47B 13/16
211/75
- D302,985 S * 8/1989 Vinck A47B 5/02
401/6
- 5,918,550 A * 7/1999 Weir A47B 5/06
108/152
- D464,840 S * 10/2002 Ingram D6/610
- 6,931,998 B1 * 8/2005 Leese A47B 5/02
108/152
- D812,946 S * 3/2018 Chang A47B 5/04
D6/707.19
- 2005/0039639 A1 * 2/2005 Espenschied A47B 23/002
108/25
- 2014/0102337 A1 * 4/2014 Ralph A47B 37/04
108/25

* cited by examiner

Primary Examiner — Mary Ann Calabrese
(74) *Attorney, Agent, or Firm* — Cantor Colburn LLP

- (56) **References Cited**
U.S. PATENT DOCUMENTS
3,717,111 A * 2/1973 Volberding A47B 5/04
108/45
D264,168 S * 5/1982 Teuber A47B 5/06
D7/624.1

(57) **CLAIM**

The ornamental design for a desktop, as shown and described.

DESCRIPTION

FIG. 1 is a perspective view of a desktop showing our new design;
 FIG. 2 is a front view thereof;
 FIG. 3 is a rear view thereof;
 FIG. 4 is a left-side view thereof;
 FIG. 5 is a right-side view thereof;
 FIG. 6 is a top plan view thereof;
 FIG. 7 is a bottom plan view thereof; and,
 FIG. 8 is another perspective view thereof with unclaimed components.
 The broken lines showing portions of the desktop form no part of the claimed design. The broken lines showing the components in FIG. 8 from no part of the claimed design.

1 Claim, 5 Drawing Sheets

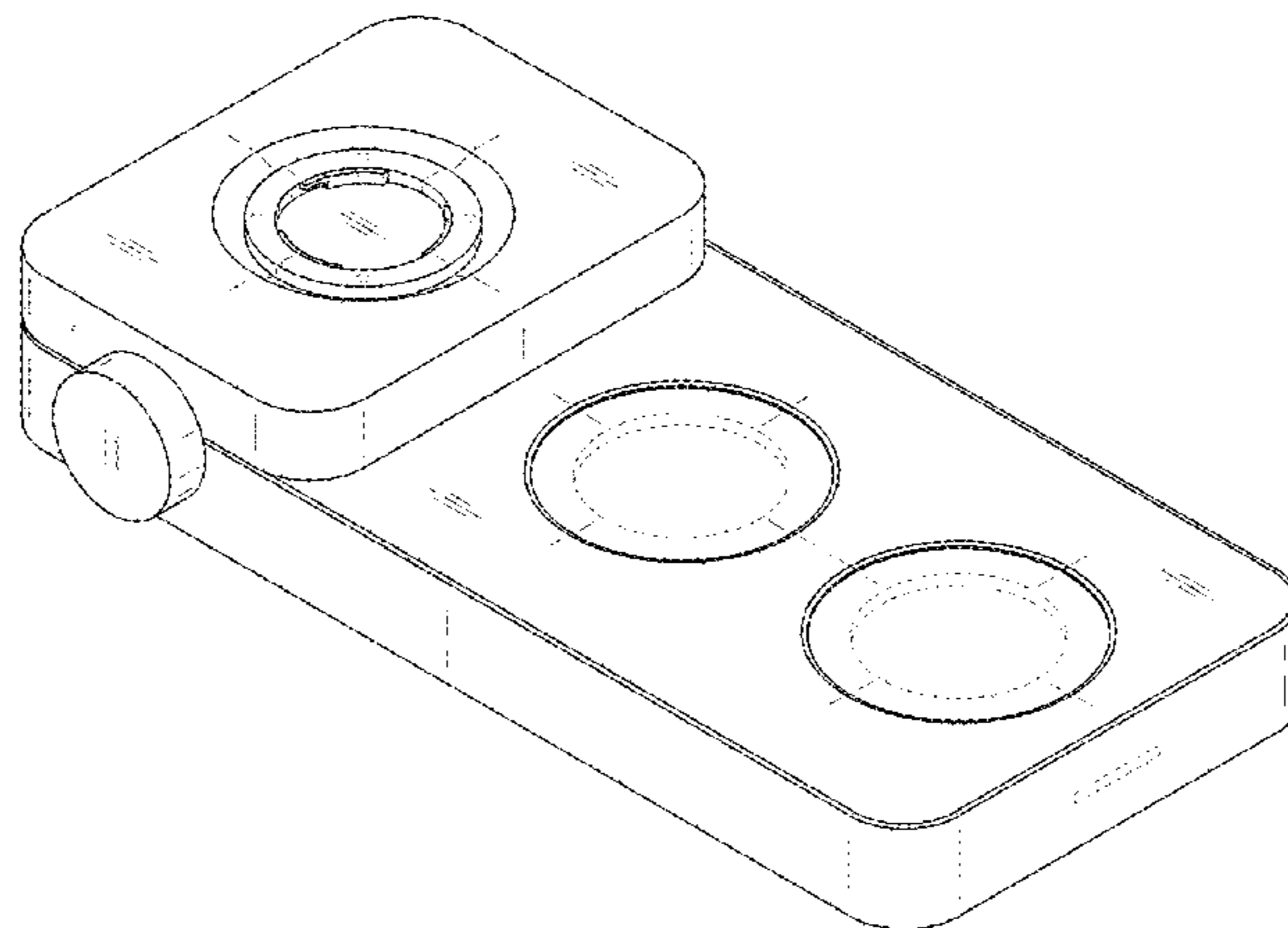


FIG. 1

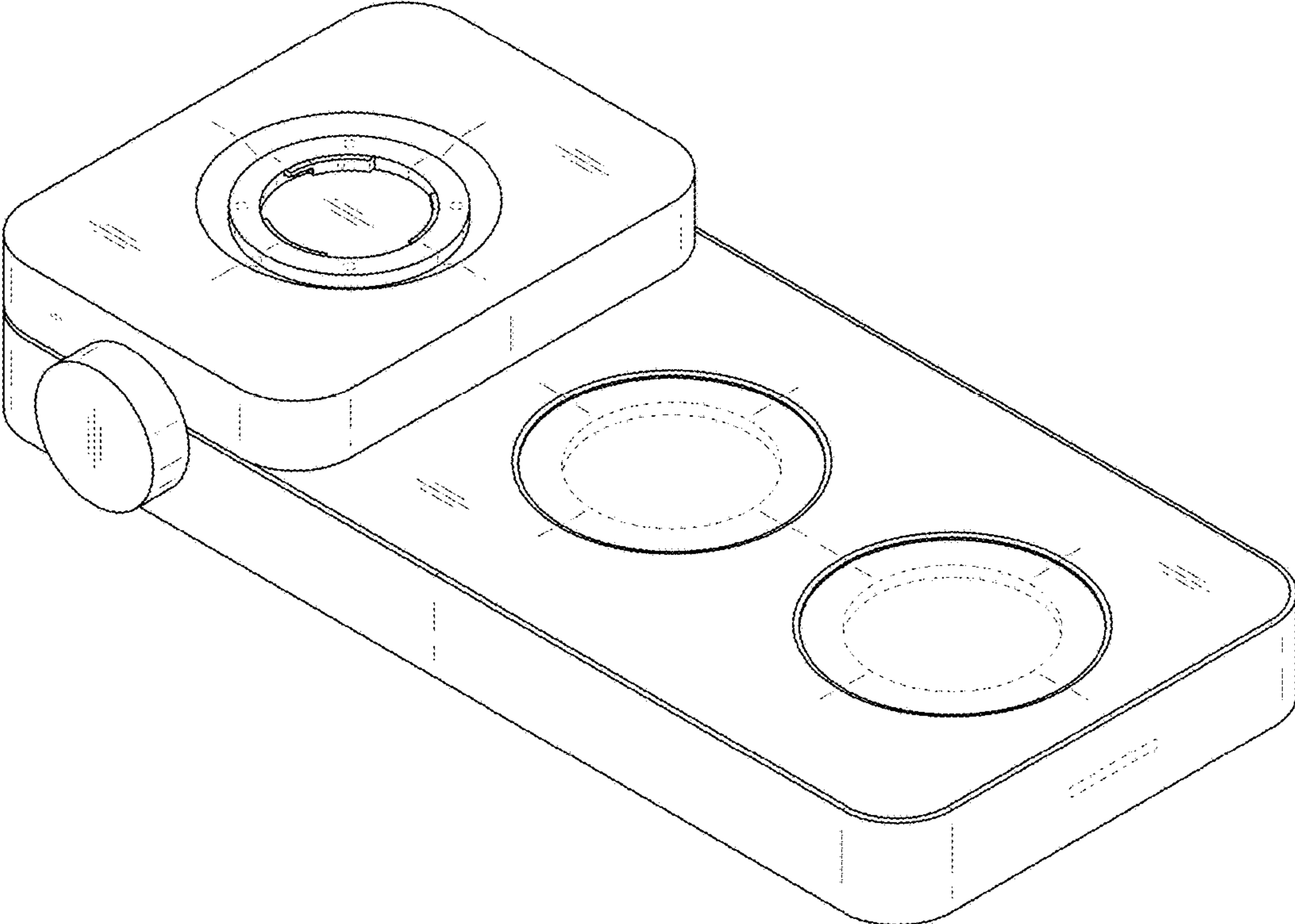


FIG. 2

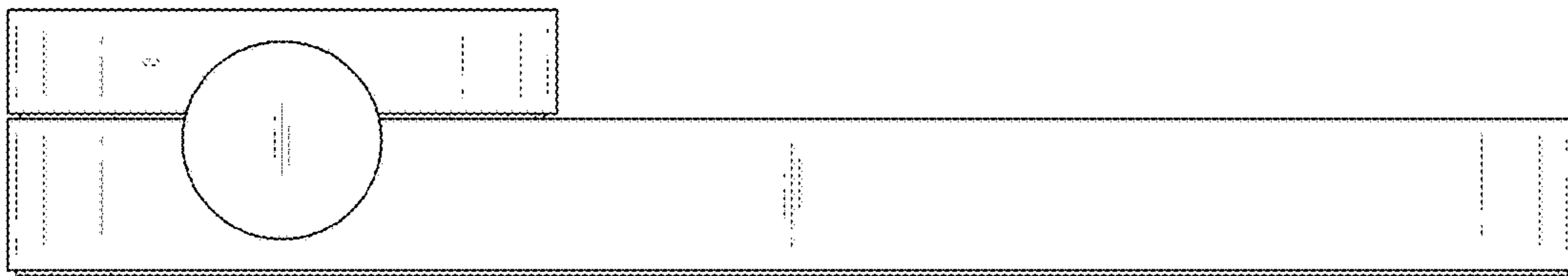


FIG. 3

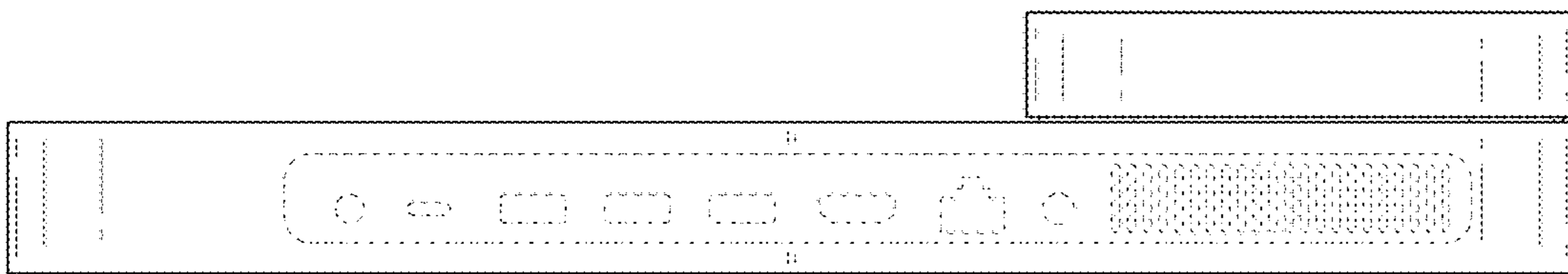


FIG. 4

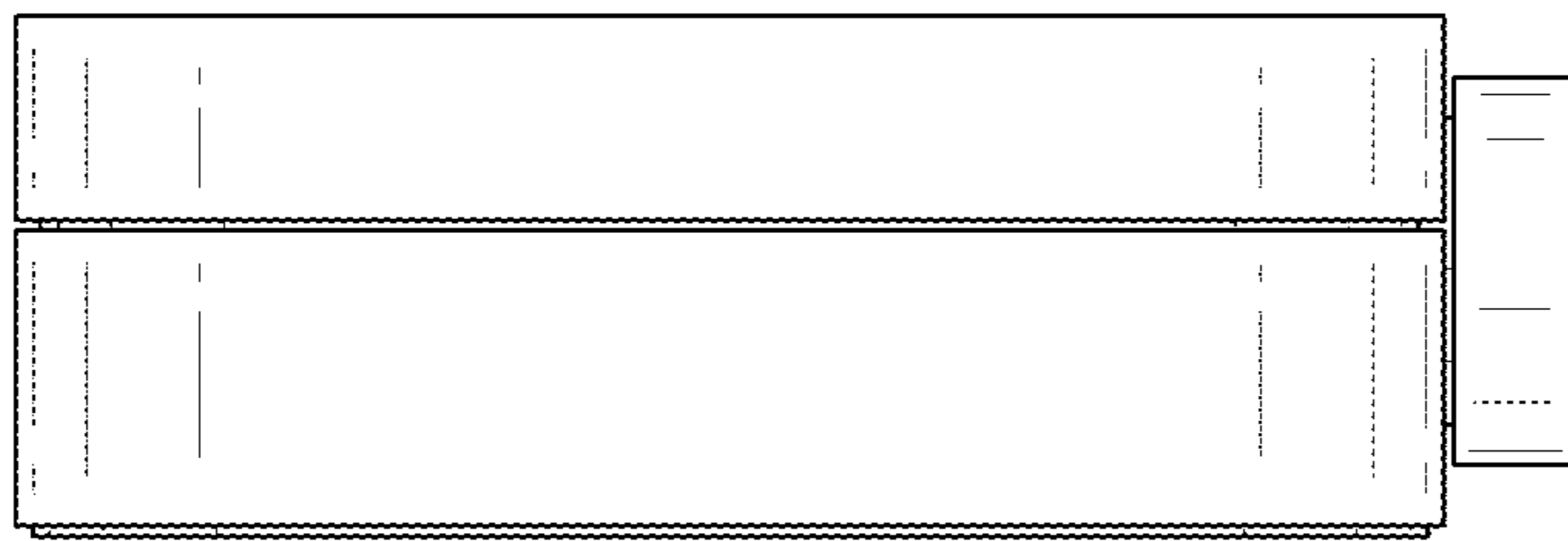


FIG. 5

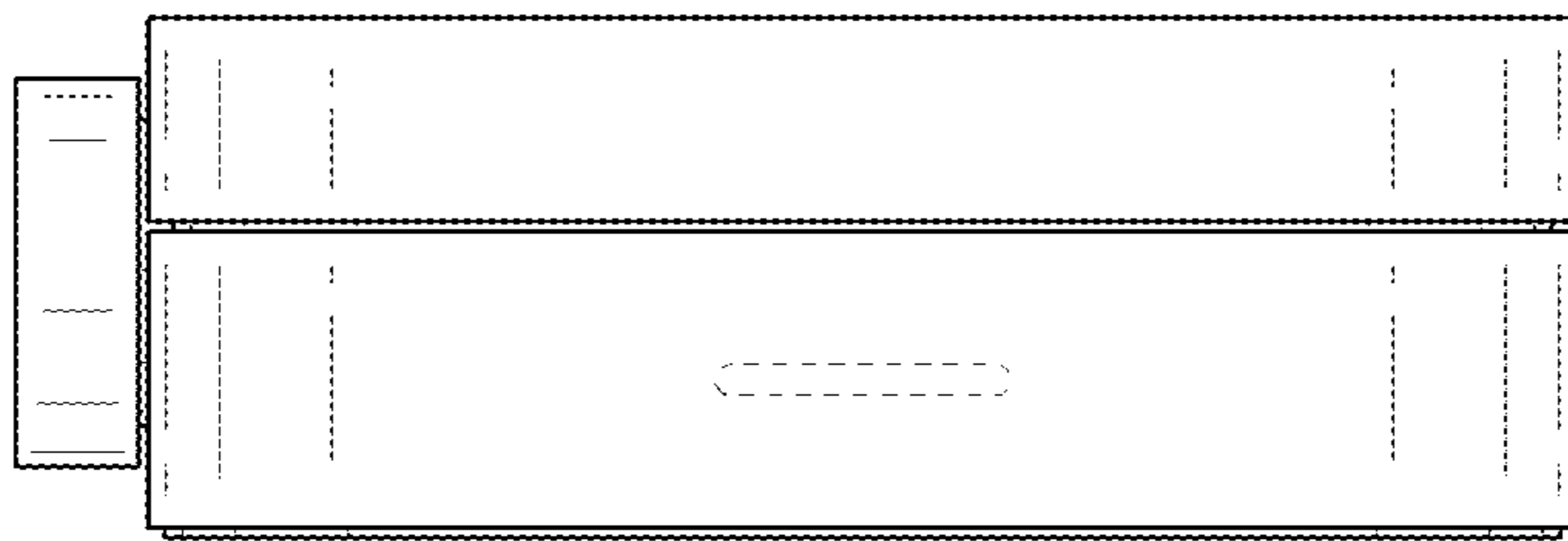


FIG. 6

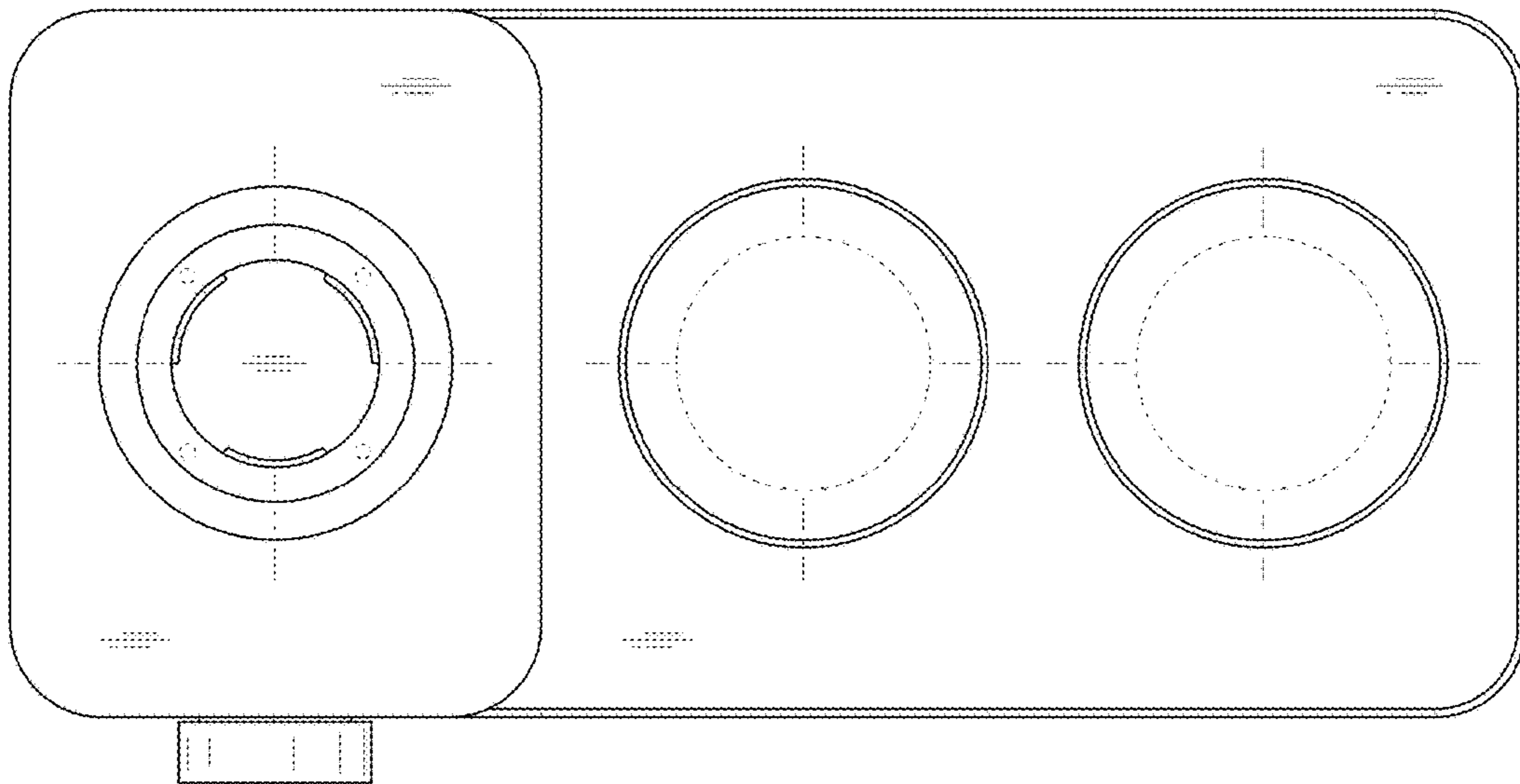


FIG. 7

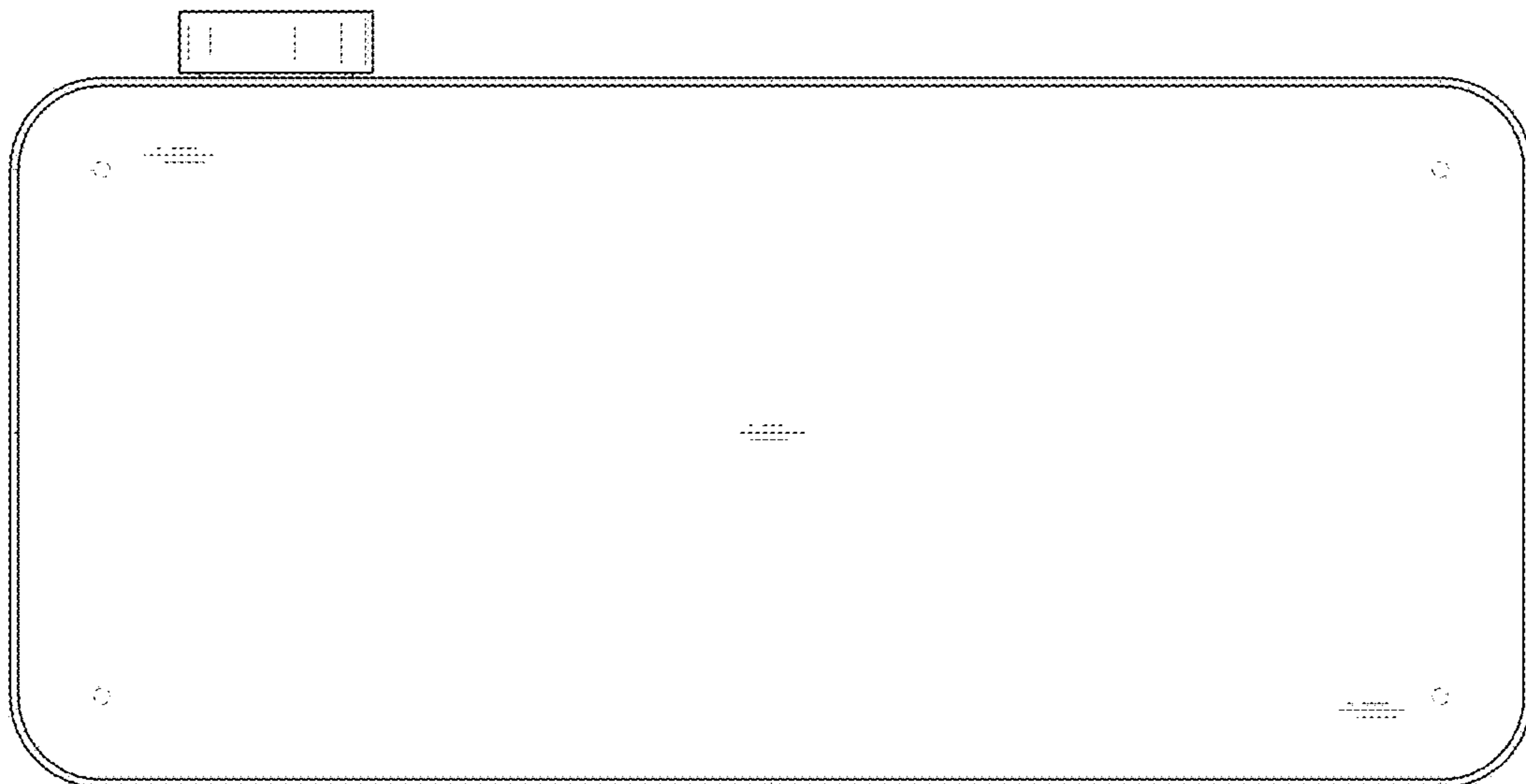


FIG. 8

