

US00D829029S

(12) **United States Design Patent**  
**Reinhart**

(10) **Patent No.:** **US D829,029 S**

(45) **Date of Patent:** **\*\* Sep. 25, 2018**

- (54) **MULTILEGGED WORK STATION**
- (71) Applicant: **Creative Plastic Concepts, LLC,**  
Sycamore, OH (US)
- (72) Inventor: **Nickolas Reinhart,** Findlay, OH (US)
- (73) Assignee: **Creative Plastic Concepts, LLC,**  
Sycamore, OH (US)
- (\*\*) Term: **15 Years**
- (21) Appl. No.: **29/602,449**
- (22) Filed: **May 1, 2017**
- (51) **LOC (11) Cl.** ..... **06-03**
- (52) **U.S. Cl.**  
USPC ..... **D6/684**
- (58) **Field of Classification Search**  
USPC ..... D6/672, 673, 675, 684, 691.1; D25/67,  
D25/68  
CPC ..... A47B 3/002; A47B 3/087; A47B 3/0912;  
A47B 13/081; A47B 13/088; A47B  
13/16; B25H 1/00; B25H 1/02; B25H  
1/0042; B25H 1/04; B25H 1/08; B25H  
1/10; B25H 1/12; B25H 1/14  
See application file for complete search history.

- 5,052,308 A \* 10/1991 Brown ..... A47B 3/02  
108/115
- 5,246,085 A \* 9/1993 Liegel ..... E04G 1/34  
182/113
- D384,514 S \* 10/1997 Pestone ..... D6/684
- D385,132 S 10/1997 Sagol
- D392,814 S \* 3/1998 Sheftel ..... D6/684
- 5,924,684 A \* 7/1999 Cheng ..... B25H 1/04  
269/139
- D448,200 S \* 9/2001 Sagol ..... D15/127
- 6,286,824 B1 \* 9/2001 Sagol ..... B25H 1/04  
269/900
- D448,948 S \* 10/2001 Wolff ..... D6/684
- 6,607,015 B1 \* 8/2003 Chen ..... B25H 1/04  
108/132
- D491,962 S \* 6/2004 Laga ..... D15/141
- 6,769,674 B2 \* 8/2004 Chang ..... B25H 1/04  
269/139
- D520,775 S \* 5/2006 Liu ..... D15/141
- D535,490 S \* 1/2007 Wise ..... D6/684

(Continued)

*Primary Examiner* — John Windmuller  
*Assistant Examiner* — Steven J Czyz  
 (74) *Attorney, Agent, or Firm* — Jacob M. Ward; Ward  
 Law Office LLC

(57) **CLAIM**

The ornamental design for a multilegged work station, as shown and described.

(56) **References Cited**

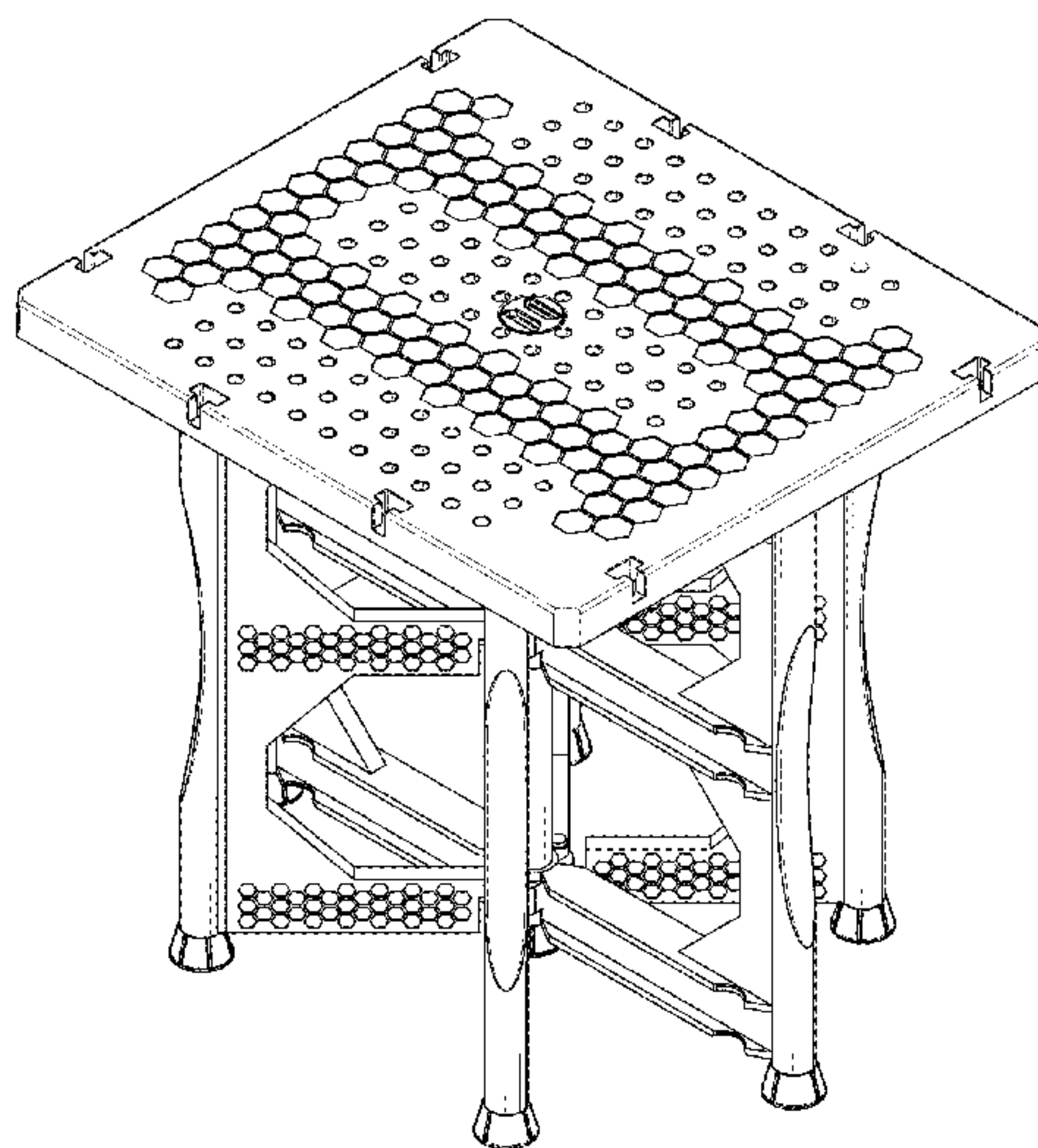
U.S. PATENT DOCUMENTS

- D250,079 S \* 10/1978 Hickman ..... D6/684
- 4,155,386 A \* 5/1979 Alessio ..... B25H 1/04  
108/123
- 4,157,174 A \* 6/1979 Hickman ..... B25H 1/04  
269/139
- 4,199,135 A \* 4/1980 Wohrle ..... B25B 1/24  
269/100
- D266,128 S \* 9/1982 Ferdinand ..... D6/684
- D279,736 S \* 7/1985 Zastera ..... D6/684
- 4,909,491 A \* 3/1990 Cheng ..... B23D 47/025  
269/139

**DESCRIPTION**

FIG. 1 is a top perspective view of a multilegged work station;  
 FIG. 2 is a bottom perspective view of the multilegged work station of FIG. 1;  
 FIG. 3 is a top plan view thereof;  
 FIG. 4 is a bottom plan view thereof;  
 FIG. 5 is a right side elevational view thereof; and,  
 FIG. 6 is a front elevational view thereof.

**1 Claim, 4 Drawing Sheets**



(56)

## References Cited

## U.S. PATENT DOCUMENTS

7,174,838 B2 \* 2/2007 Sagol ..... A47B 3/083  
108/130  
D563,113 S \* 3/2008 Snider ..... D6/684  
D564,250 S \* 3/2008 Haimoff ..... D6/684  
D566,419 S \* 4/2008 Naim ..... D6/684  
7,415,933 B2 \* 8/2008 Sagol et al. .... A47B 3/00  
D577,507 S \* 9/2008 Collins et al. .... D6/684  
7,441,760 B2 \* 10/2008 Zhang et al. .... B25B 1/02  
7,628,186 B2 \* 12/2009 Blum et al. .... B25H 1/00  
D620,286 S \* 7/2010 Carmon et al. .... D6/691  
D632,103 S 2/2011 Apelbaum  
D643,229 S \* 8/2011 Rosenfeld et al. .... D6/684  
8,042,794 B2 \* 10/2011 Marshall et al. .... B25B 1/24  
8,113,316 B2 \* 2/2012 Sward et al. .... E04G 1/32  
D656,342 S 3/2012 Blitzer  
8,528,489 B2 \* 9/2013 Roy et al. .... A47B 3/00  
D729,555 S \* 5/2015 Saigauvker ..... D6/684  
9,357,842 B2 \* 6/2016 Gu et al. .... A47B 85/06  
D779,860 S \* 2/2017 Siao et al. .... D6/684  
D781,083 S \* 3/2017 Zhu et al. .... D6/685  
9,636,819 B2 \* 5/2017 Lifshitz et al. .... F16M 11/24  
9,682,470 B2 \* 6/2017 Helm et al. .... B23Q 3/00  
D801,735 S \* 11/2017 Ursell ..... D6/684  
2010/0199890 A1 \* 8/2010 Corria De Castro et al. ....  
108/56.3  
2014/0232053 A1 \* 8/2014 Lifshitz et al. .... 269/219  
2015/0201751 A1 \* 7/2015 Gu et al. .... 108/11  
2016/0016304 A1 \* 1/2016 Zhu et al. .... 269/16  
2018/0001466 A1 \* 1/2018 Brunner et al. .... B25H 1/04

\* cited by examiner

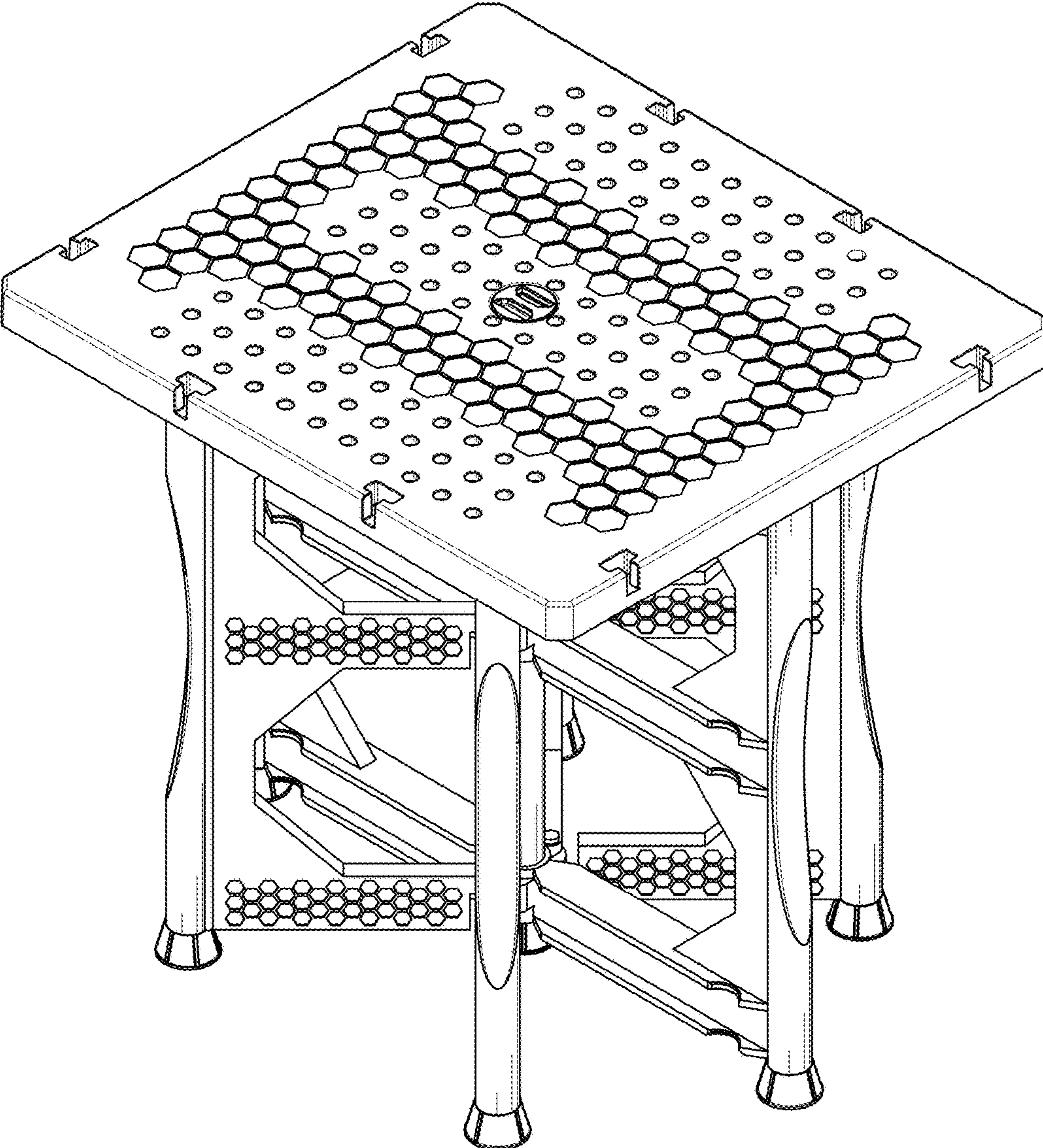


FIG. 1



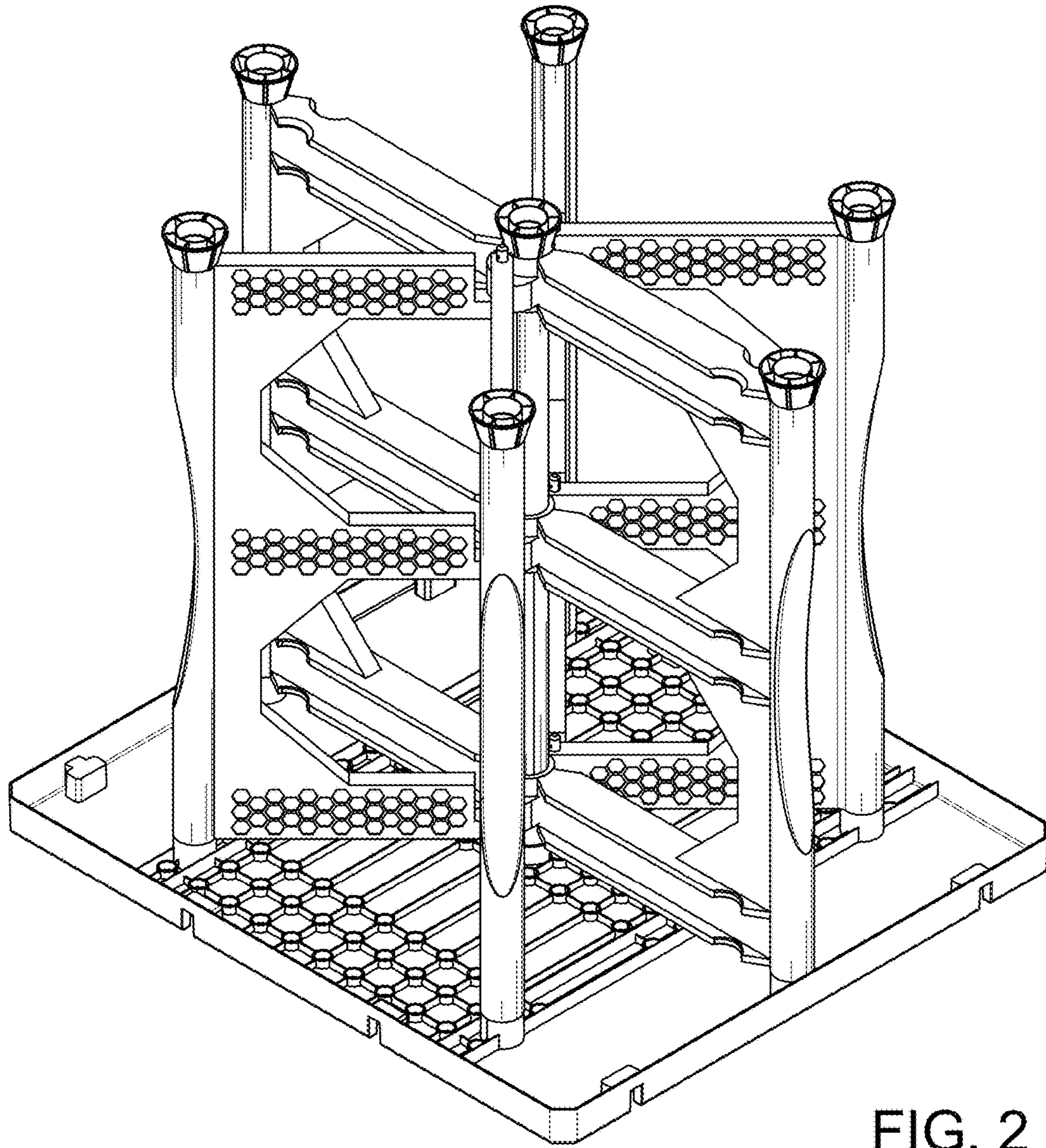


FIG. 2

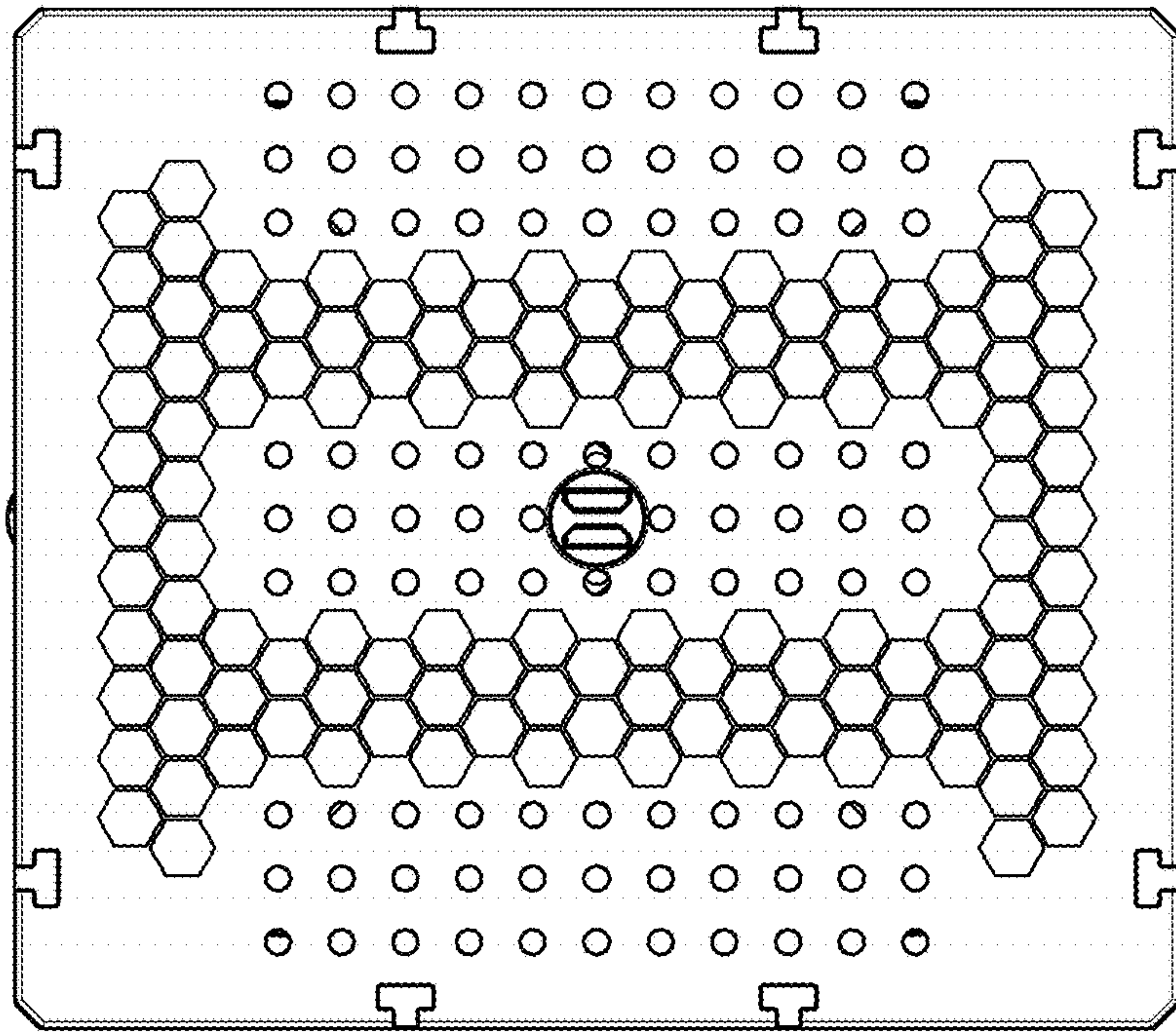


FIG. 3

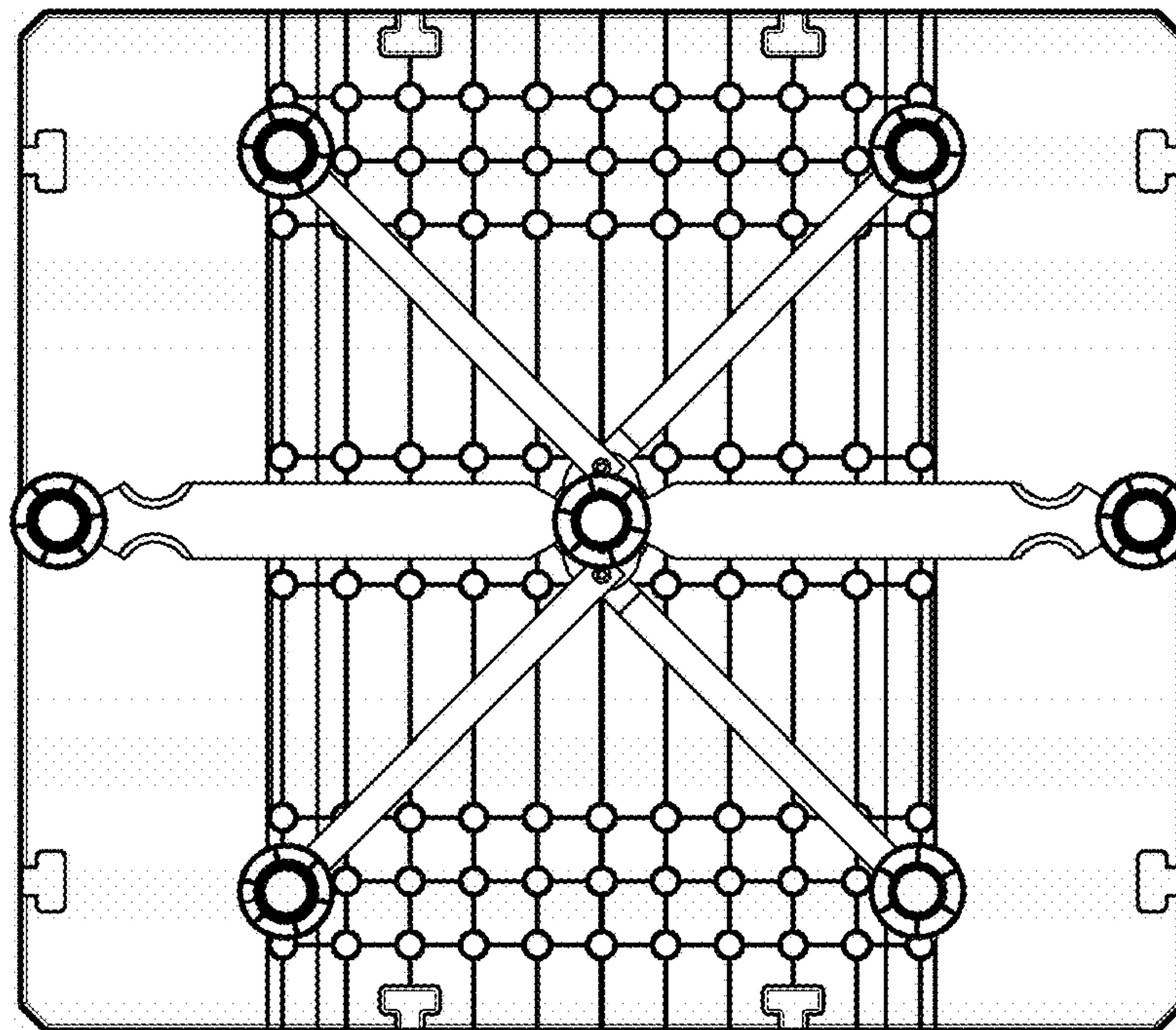


FIG. 4



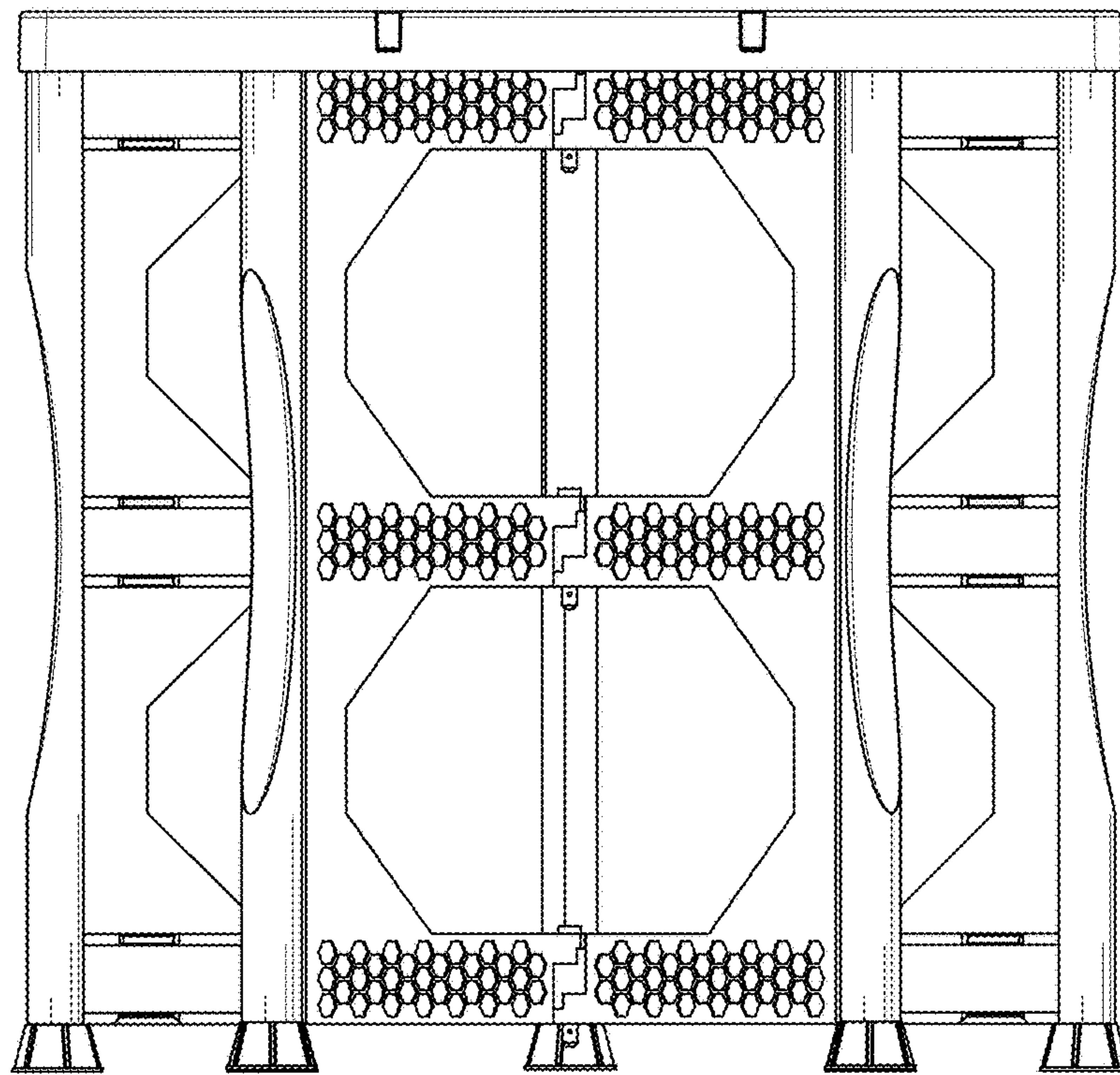


FIG. 5

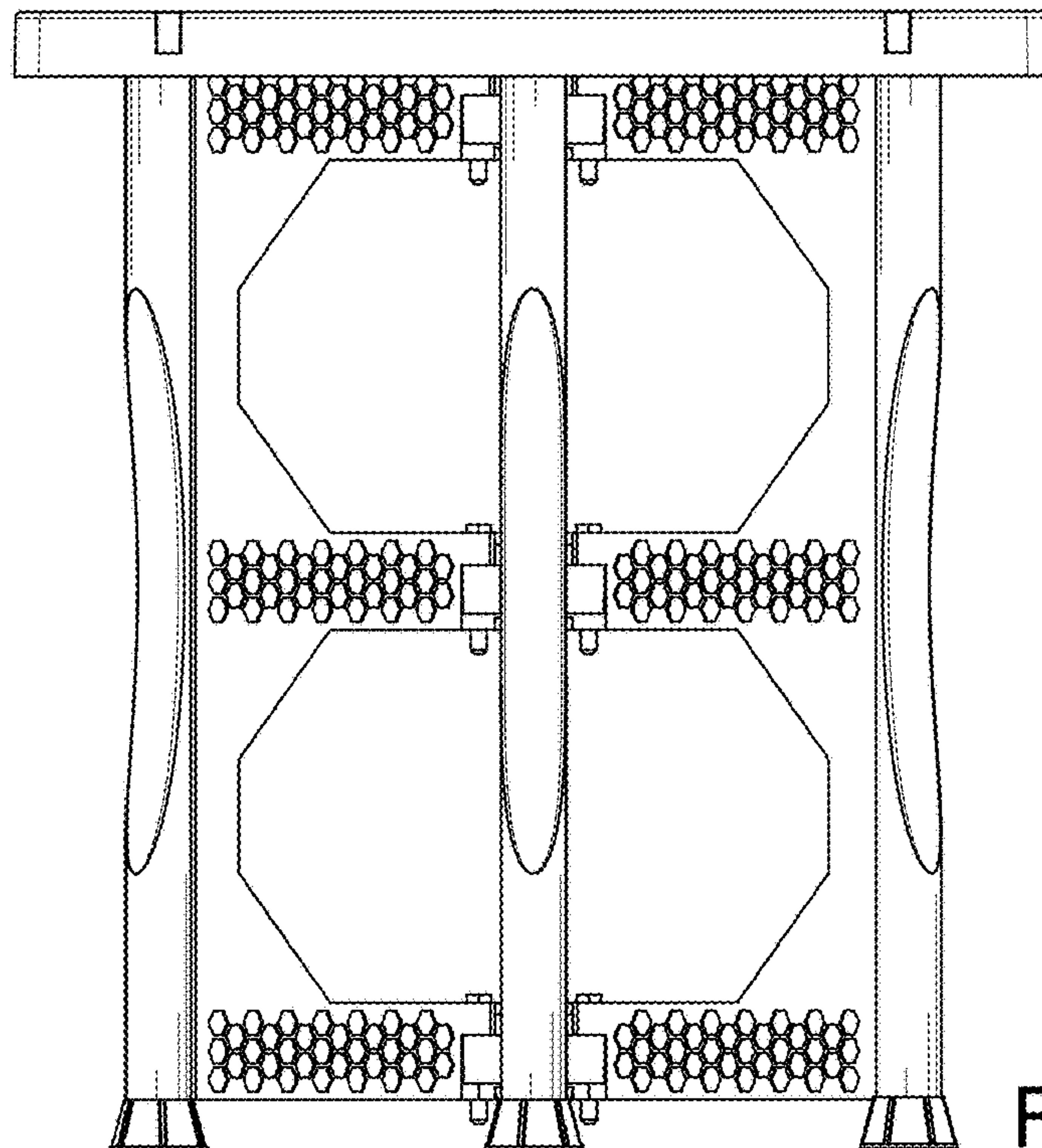


FIG. 6