



US00D829028S

(12) **United States Design Patent**
Michell

(10) **Patent No.:** **US D829,028 S**
(45) **Date of Patent:** **** *Sep. 25, 2018**

- (54) **ADJUSTABLE EQUIPMENT STAND**
- (71) Applicant: **Robert F. Michell**, Macclenny, FL (US)
- (72) Inventor: **Robert F. Michell**, Macclenny, FL (US)
- (*) Notice: This patent is subject to a terminal disclaimer.
- (**) Term: **15 Years**
- (21) Appl. No.: **29/567,552**
- (22) Filed: **Jun. 9, 2016**
- (51) **LOC (11) Cl.** **06-04**
- (52) **U.S. Cl.**
USPC **D6/681**
- (58) **Field of Classification Search**
USPC D6/681, 681.1, 681.2, 681.3, 682, 691,
D6/691.6, 709, 709.2, 709.21, 712;
D25/119, 122
CPC . F16M 5/00; F16M 7/00; F16M 11/22; F16M
11/30; F24F 13/32
See application file for complete search history.

(56) **References Cited**

U.S. PATENT DOCUMENTS

| | | | | |
|---------------|---------|-----------------|-------|------------------------|
| D105,080 S * | 6/1937 | Anderson et al. | | D18/59 |
| 2,587,469 A * | 2/1952 | Herring | | A47B 21/02 108/116 |
| D172,594 S * | 7/1954 | Guichard | | 126/30 |
| 2,805,776 A * | 9/1957 | Levitin | | A47F 7/30 211/207 |
| 3,523,702 A * | 8/1970 | Unti | | A47B 9/14 108/106 |
| 3,955,511 A * | 5/1976 | Bak | | A47B 45/00 108/137 |
| 4,032,103 A * | 6/1977 | Ehrichs | | D06F 81/04 248/421 |
| 4,479,339 A * | 10/1984 | Kroh | | E04D 13/1637 52/144 |

| | | | | |
|---------------|---------|----------|-------|-------------------------|
| 4,712,695 A * | 12/1987 | Cheng | | F16B 12/32 211/182 |
| D318,742 S * | 7/1991 | Miller | | D13/155 |
| 5,107,775 A * | 4/1992 | Langlais | | A47B 9/14 108/147.21 |
| 5,308,037 A * | 5/1994 | Gonzalez | | F24F 13/32 248/670 |
| 5,407,171 A * | 4/1995 | Gonzalez | | F24F 13/32 248/670 |

(Continued)

Primary Examiner — John Windmuller
Assistant Examiner — Steven Czyz
(74) *Attorney, Agent, or Firm* — Mark Young, P.A.

(57) **CLAIM**

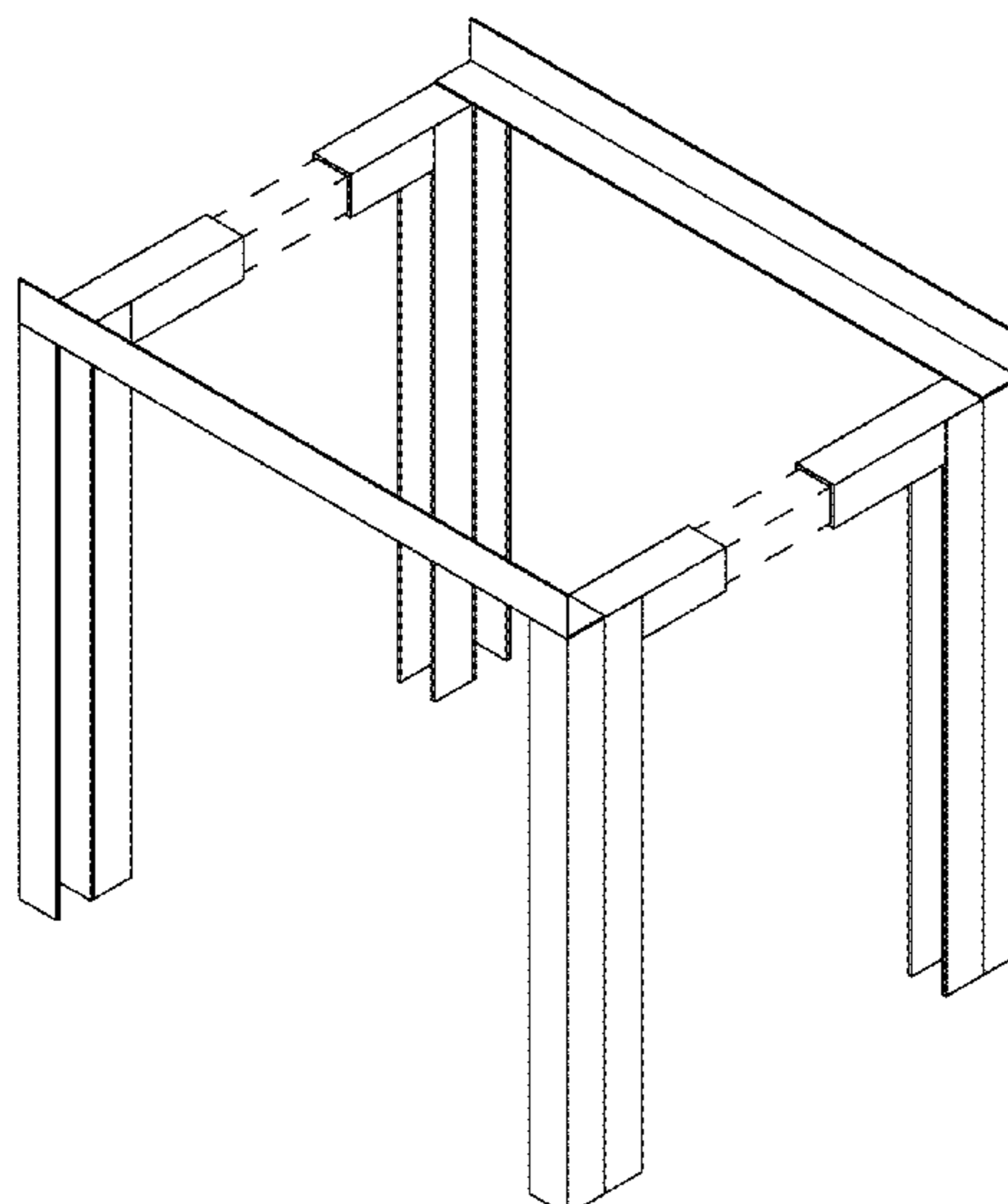
The ornamental design for an adjustable equipment stand, as shown and described.

DESCRIPTION

FIG. 1 is a top plan view of an adjustable equipment stand; FIG. 2 is a first side view thereof; FIG. 3 is a front side view thereof; FIG. 4 is a bottom view thereof; FIG. 5 is a second side view thereof; FIG. 6 is a rear view thereof; FIG. 7 is a top perspective view thereof; FIG. 8 is a second top perspective view thereof; FIG. 9 is a bottom perspective view thereof; FIG. 10 is a second bottom perspective view thereof; FIG. 11 is a top perspective view of one of the legs from the adjustable equipment stand, shown separately for ease of disclosure; FIG. 12 is a second top perspective view thereof; FIG. 13 is a third top perspective view thereof; FIG. 14 is a fourth top perspective view thereof; and, FIG. 15 is a plan view thereof.

The broken lines depict portions of the article that form no part of the claimed design.

1 Claim, 15 Drawing Sheets



(56)

References Cited

U.S. PATENT DOCUMENTS

| | | | | | | | | | |
|-------------------|---------|--------------|-------|-------------|------------|--|--|--|--|
| 5,451,028 A * | 9/1995 | Lietti | | F16M 5/00 | 108/64 | | | | |
| 5,820,092 A * | 10/1998 | Thaler | | F24F 13/32 | 211/189 | | | | |
| 6,260,815 B1 * | 7/2001 | Allen | | F24H 9/06 | 248/176.3 | | | | |
| D482,912 S * | 12/2003 | Curotto, Jr. | | D6/709 | | | | | |
| D593,780 S * | 6/2009 | Jeup | | D6/708 | | | | | |
| 7,793,908 B1 * | 9/2010 | Finegan, Jr. | | F24F 13/32 | 248/317 | | | | |
| D668,355 S * | 10/2012 | Divall | | D25/119 | | | | | |
| D672,061 S * | 12/2012 | Yoder | | D25/119 | | | | | |
| 8,348,071 B1 * | 1/2013 | Janlert | | F16M 5/00 | 211/175 | | | | |
| D721,245 S * | 1/2015 | Agati | | D6/709 | | | | | |
| 9,010,553 B2 * | 4/2015 | Crowley | | A47B 43/03 | 211/189 | | | | |
| 9,052,120 B2 * | 6/2015 | Villar | | F24F 13/32 | | | | | |
| D747,127 S * | 1/2016 | Chang | | D25/120 | | | | | |
| 9,364,093 B2 * | 6/2016 | Williams | | A47B 91/005 | | | | | |
| D780,329 S * | 2/2017 | Li | | D25/119 | | | | | |
| 2004/0194678 A1 * | 10/2004 | Waner | | A47B 9/20 | 108/147.21 | | | | |
| 2005/0044829 A1 * | 3/2005 | Chase | | F24F 3/1603 | 55/495 | | | | |
| 2014/0014608 A1 * | 1/2014 | Brandstrom | | F16B 12/44 | 211/207 | | | | |
| 2015/0320199 A1 * | 11/2015 | Lawrence | | A61B 50/10 | 248/188.1 | | | | |
| 2016/0097482 A1 * | 4/2016 | Kamhi | | F16M 5/00 | 248/676 | | | | |

* cited by examiner

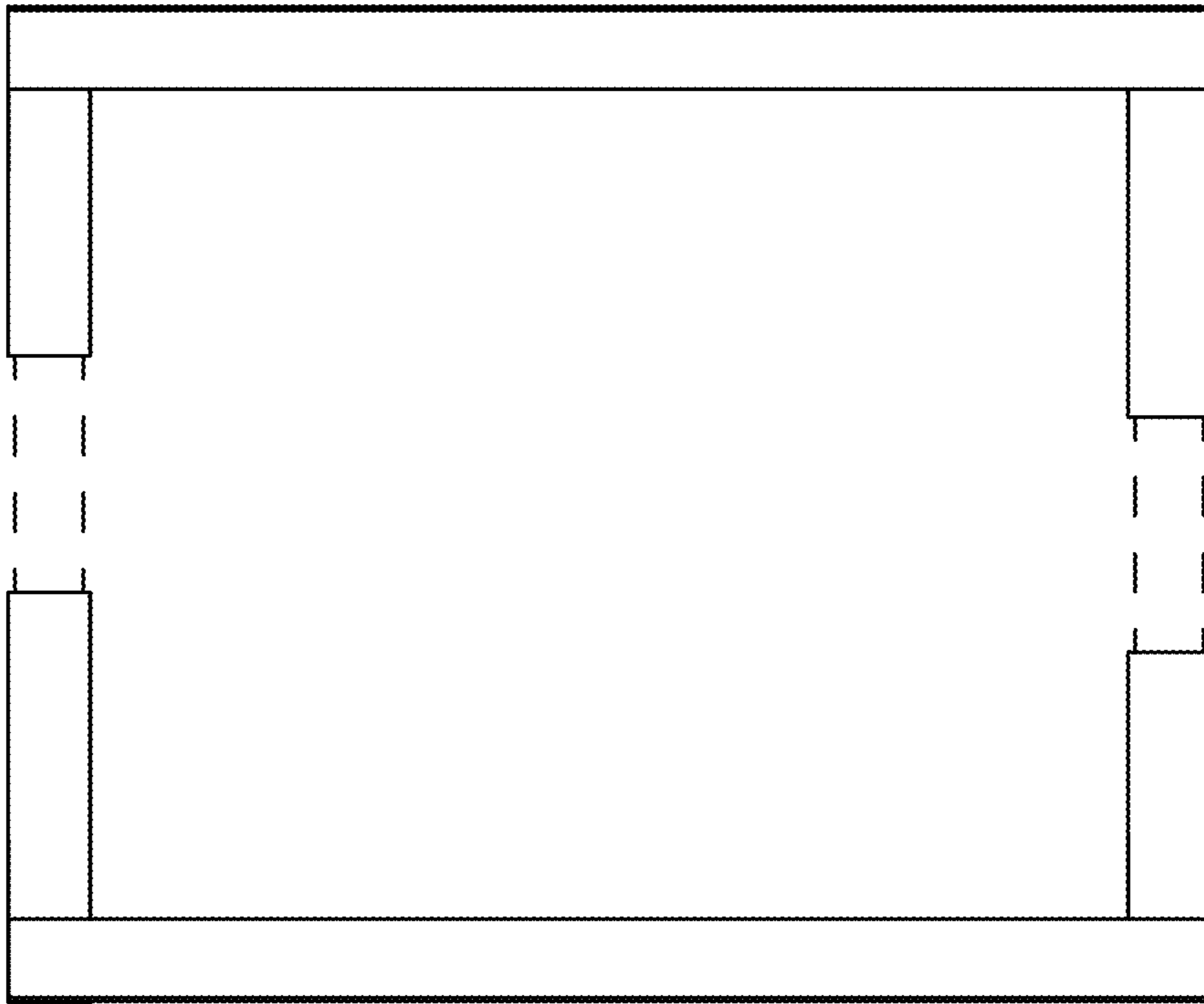


FIG. 1

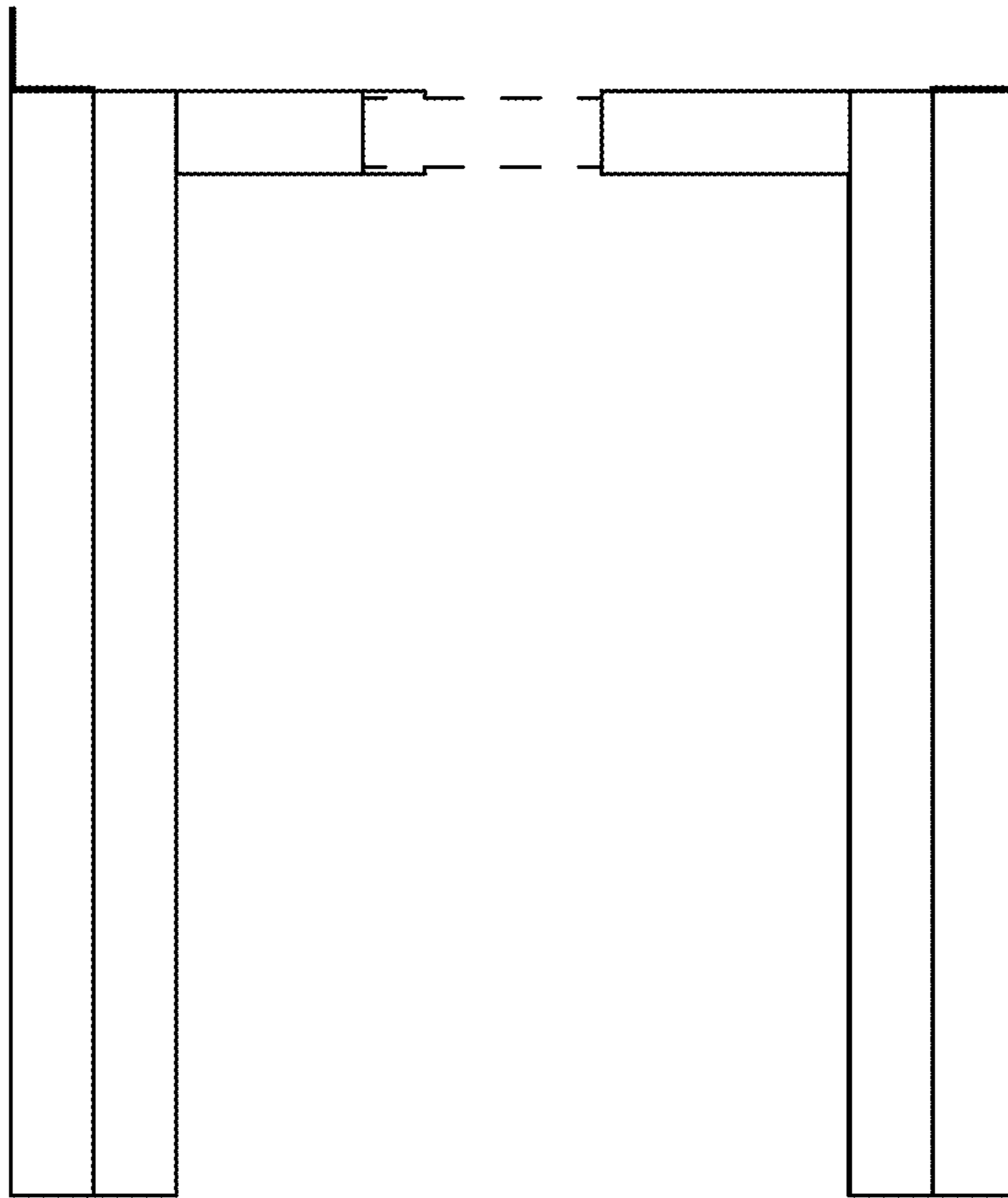


FIG. 2

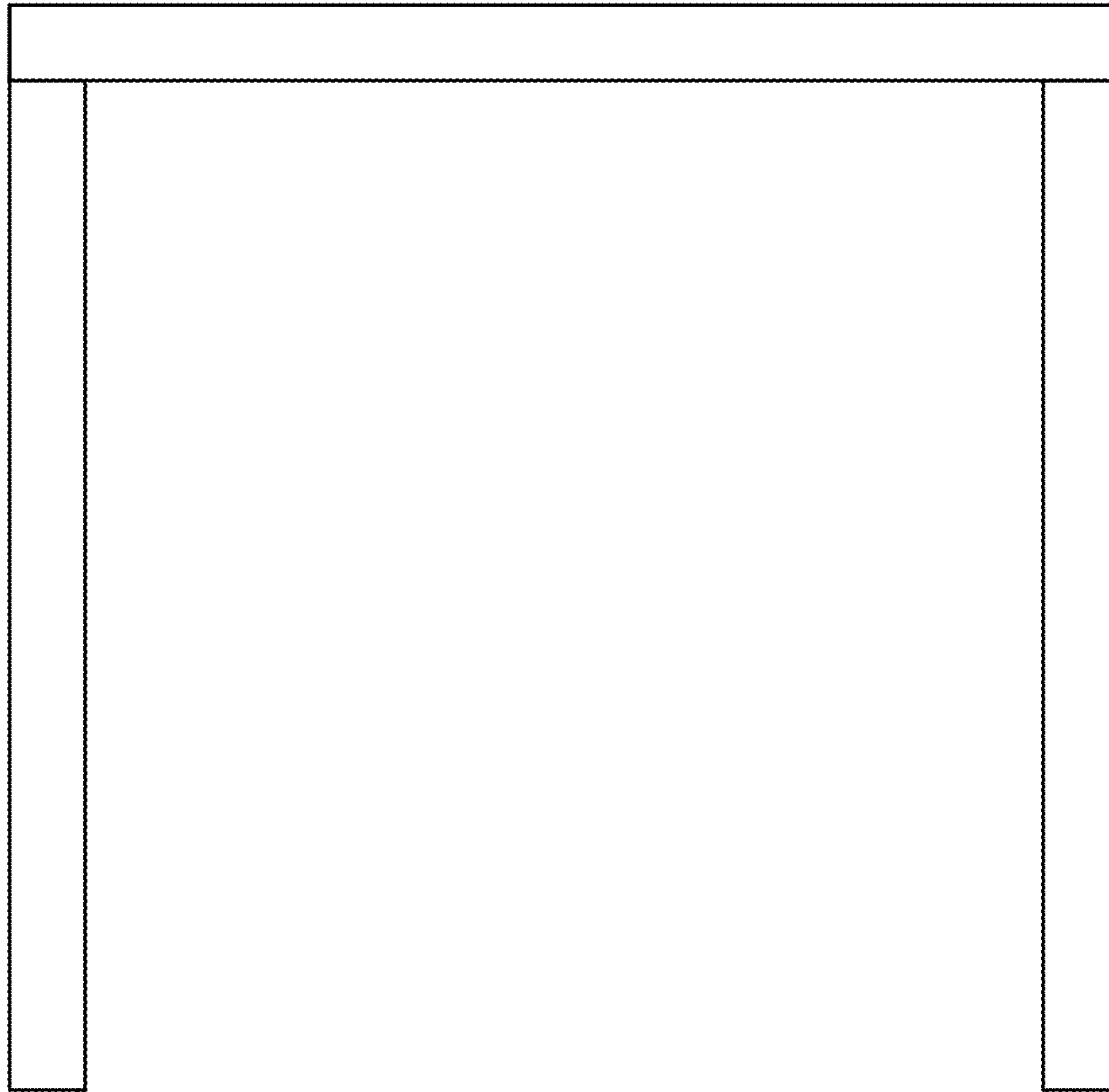


FIG. 3

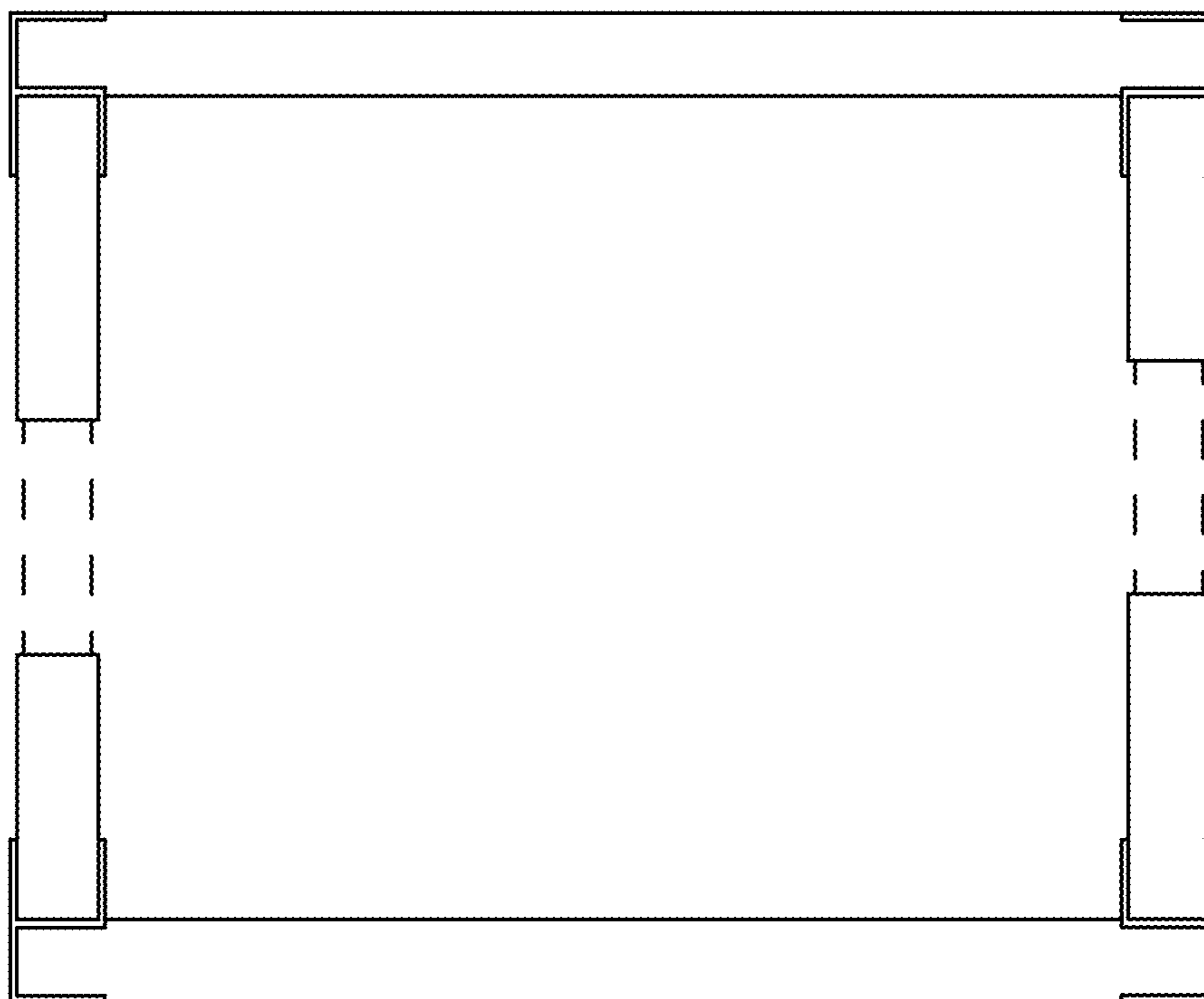


FIG. 4

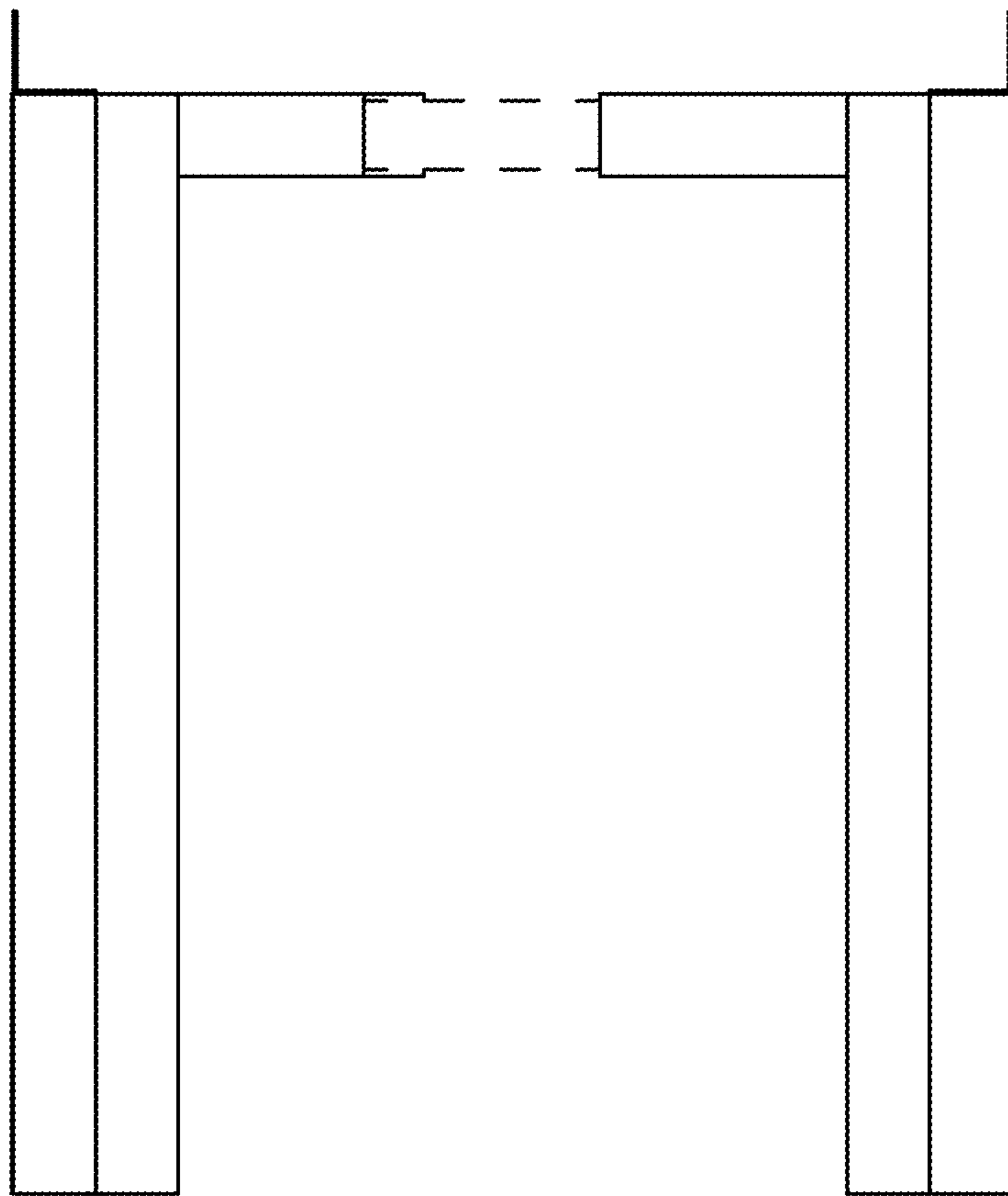


FIG. 5

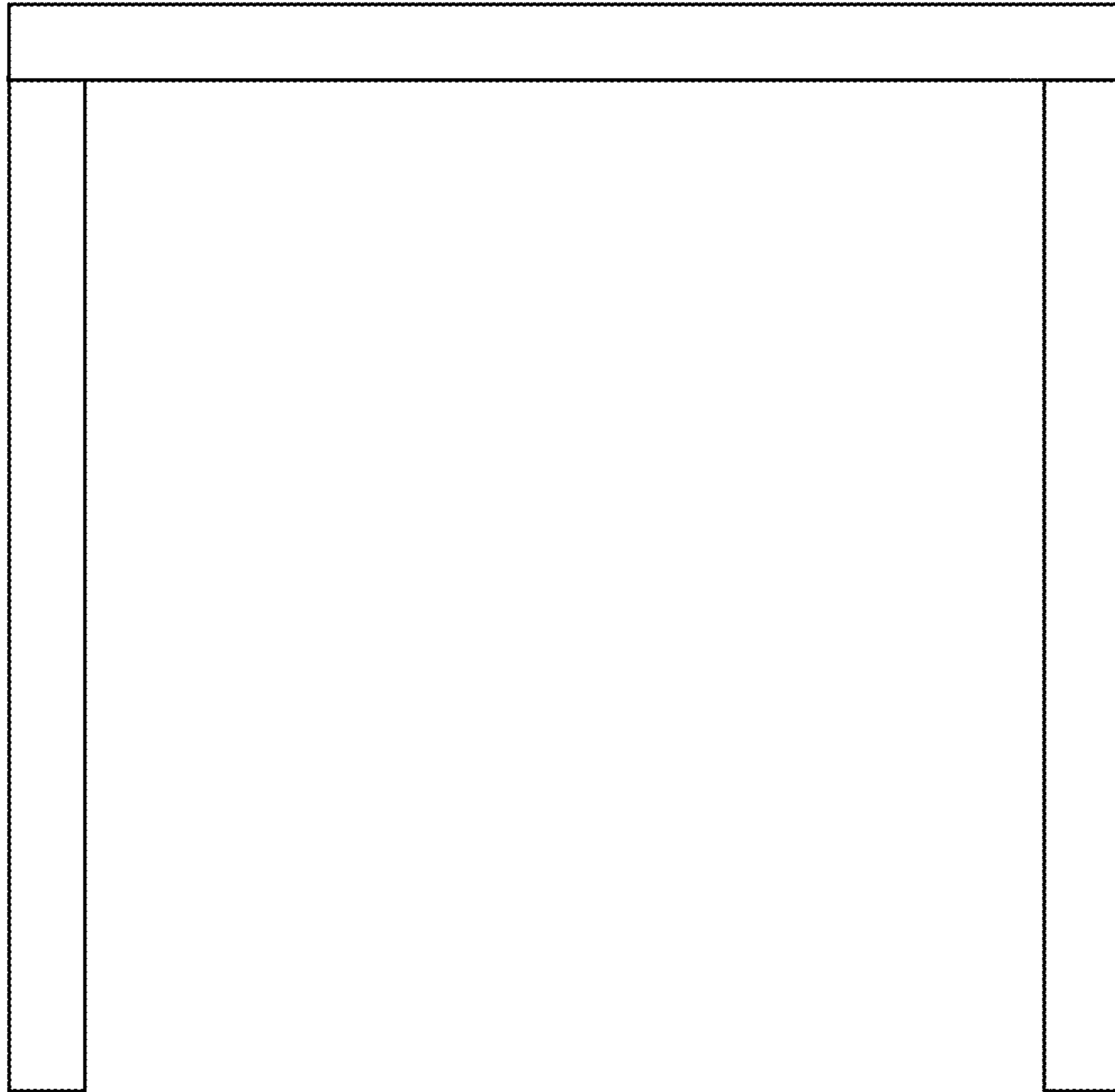


FIG. 6

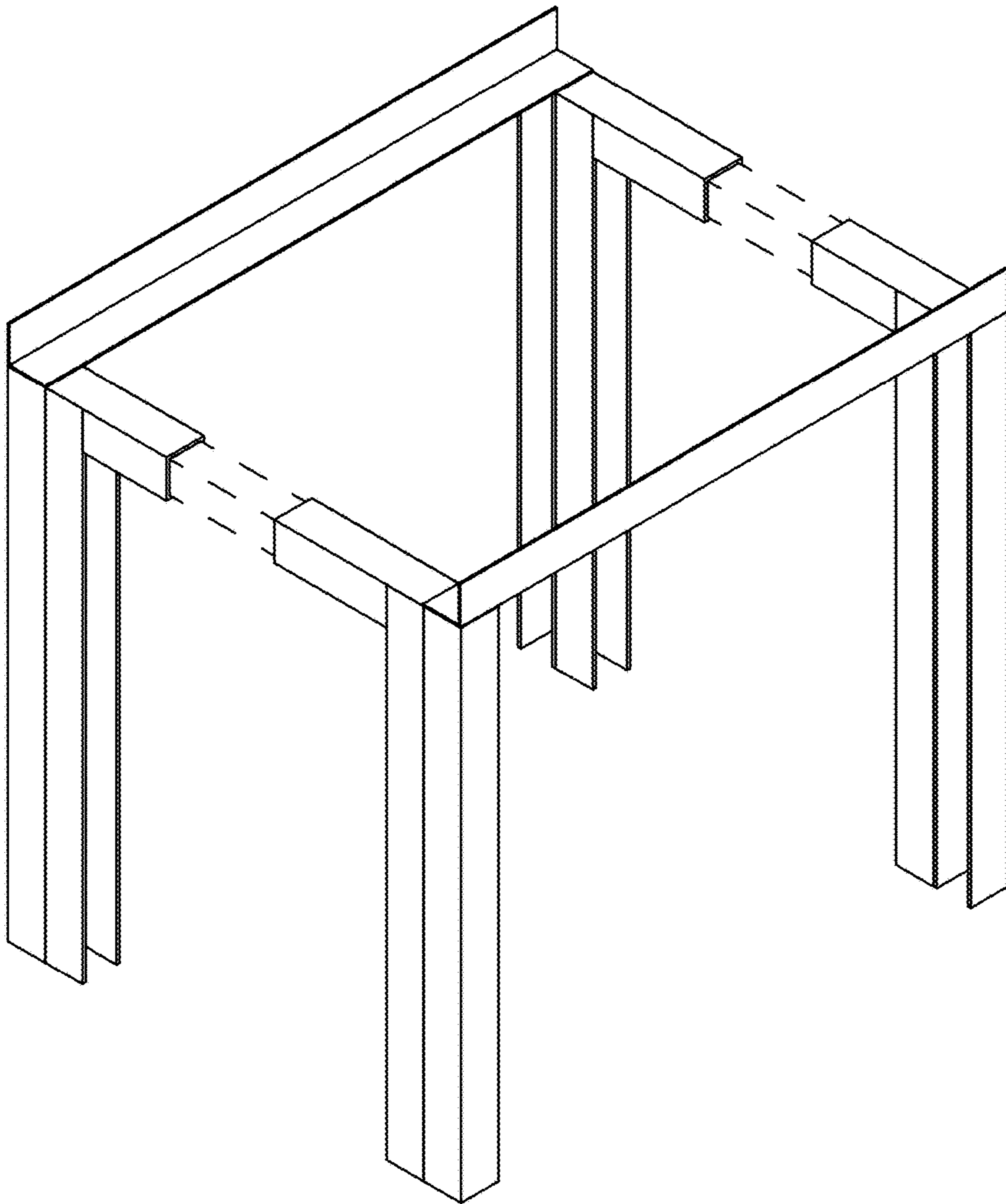


FIG. 7

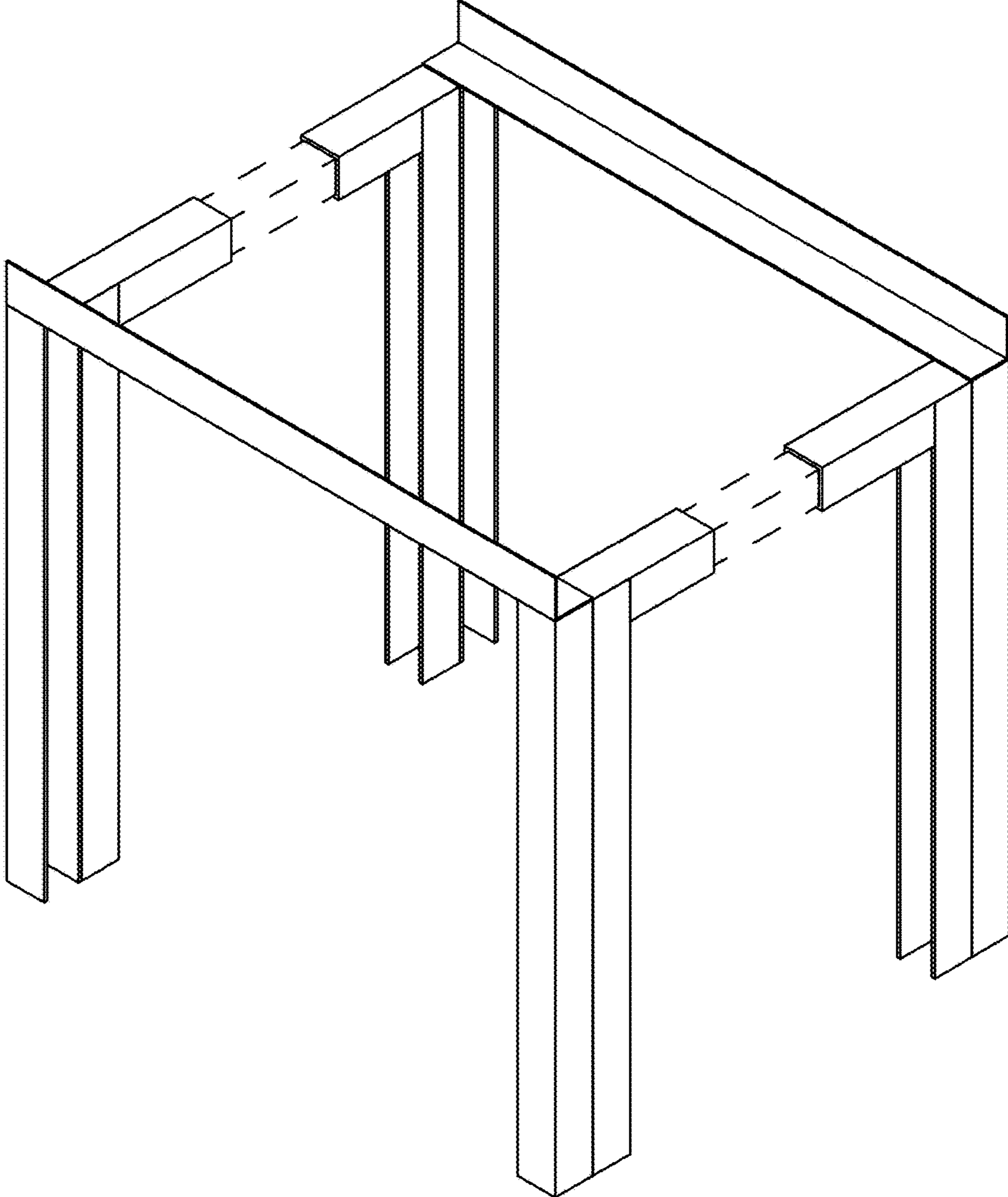


FIG. 8

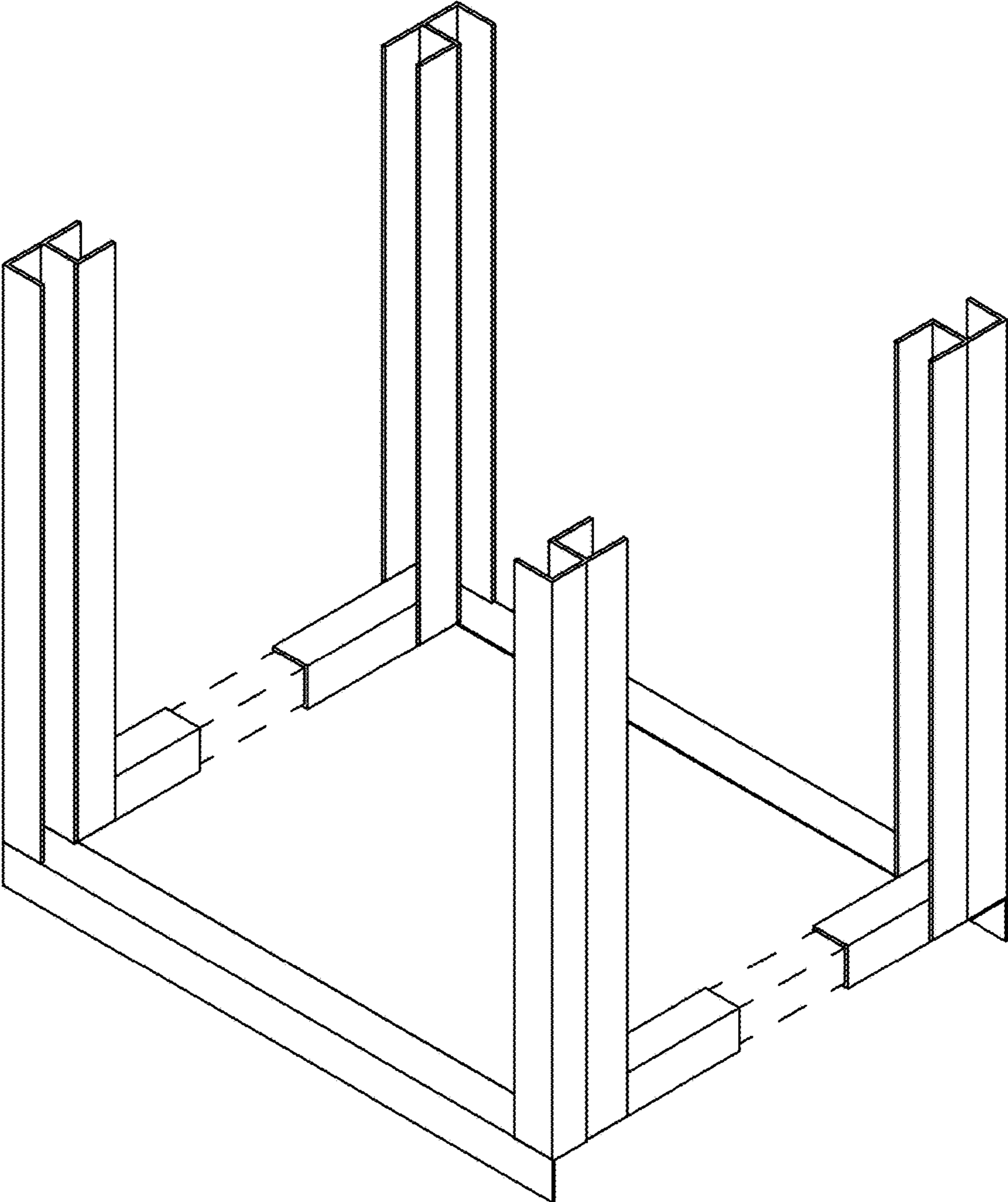


FIG. 9

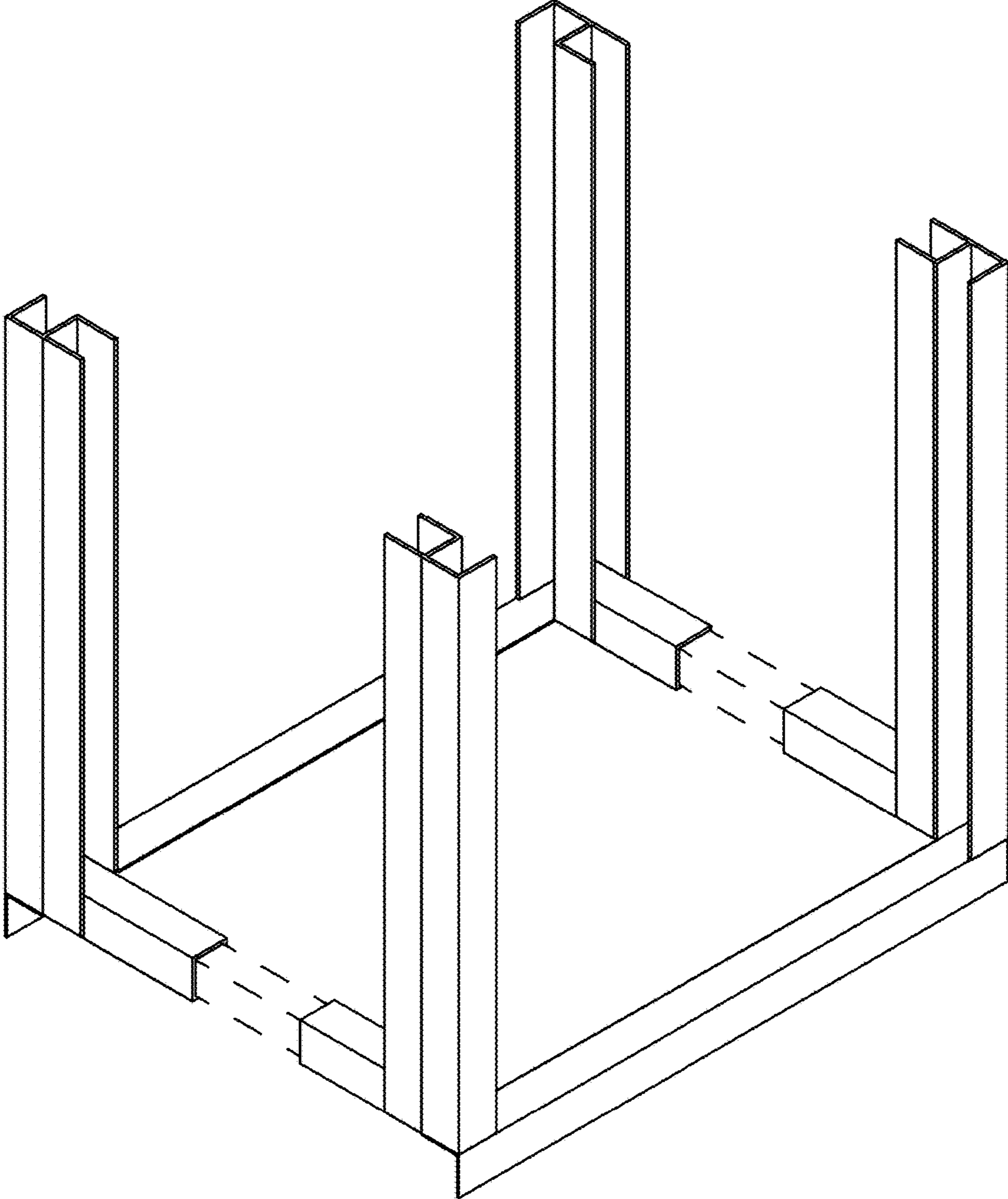


FIG. 10

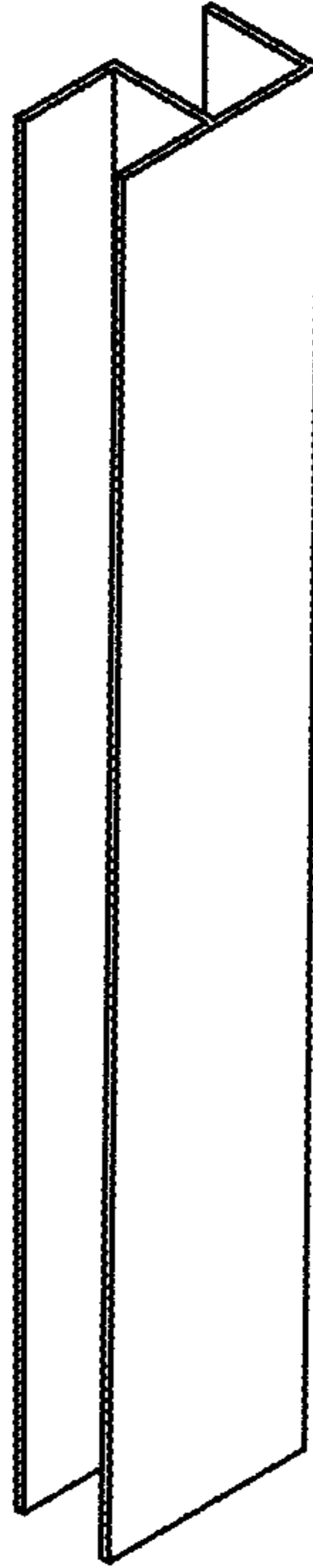


FIG. 11

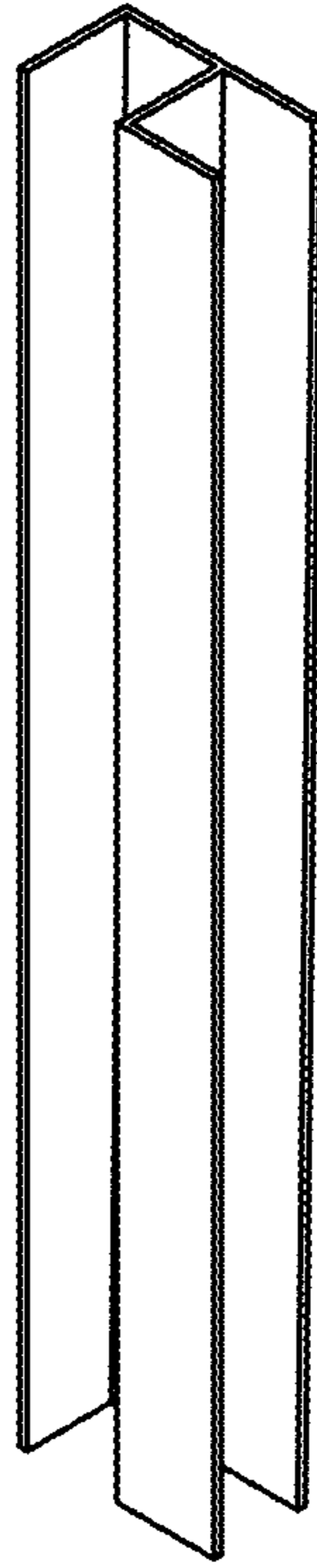


FIG. 12

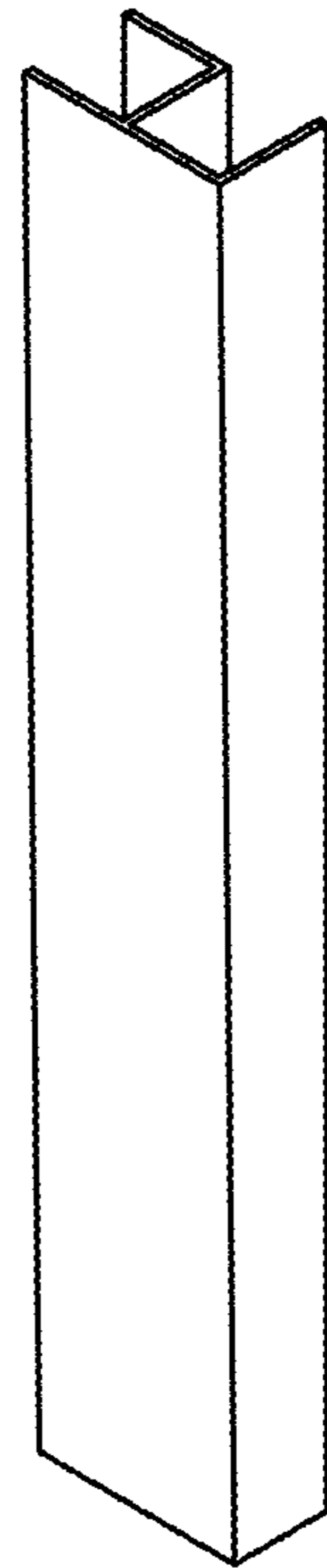


FIG. 13

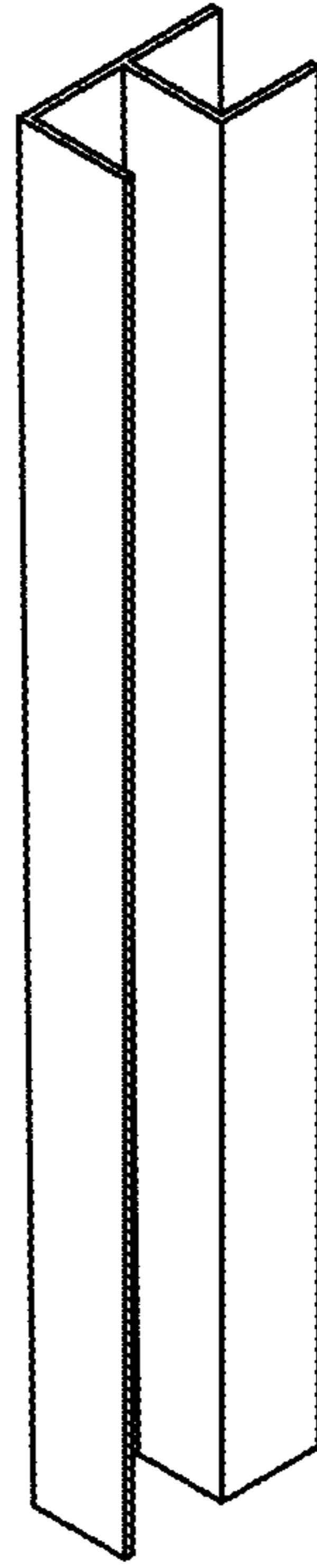


FIG. 14

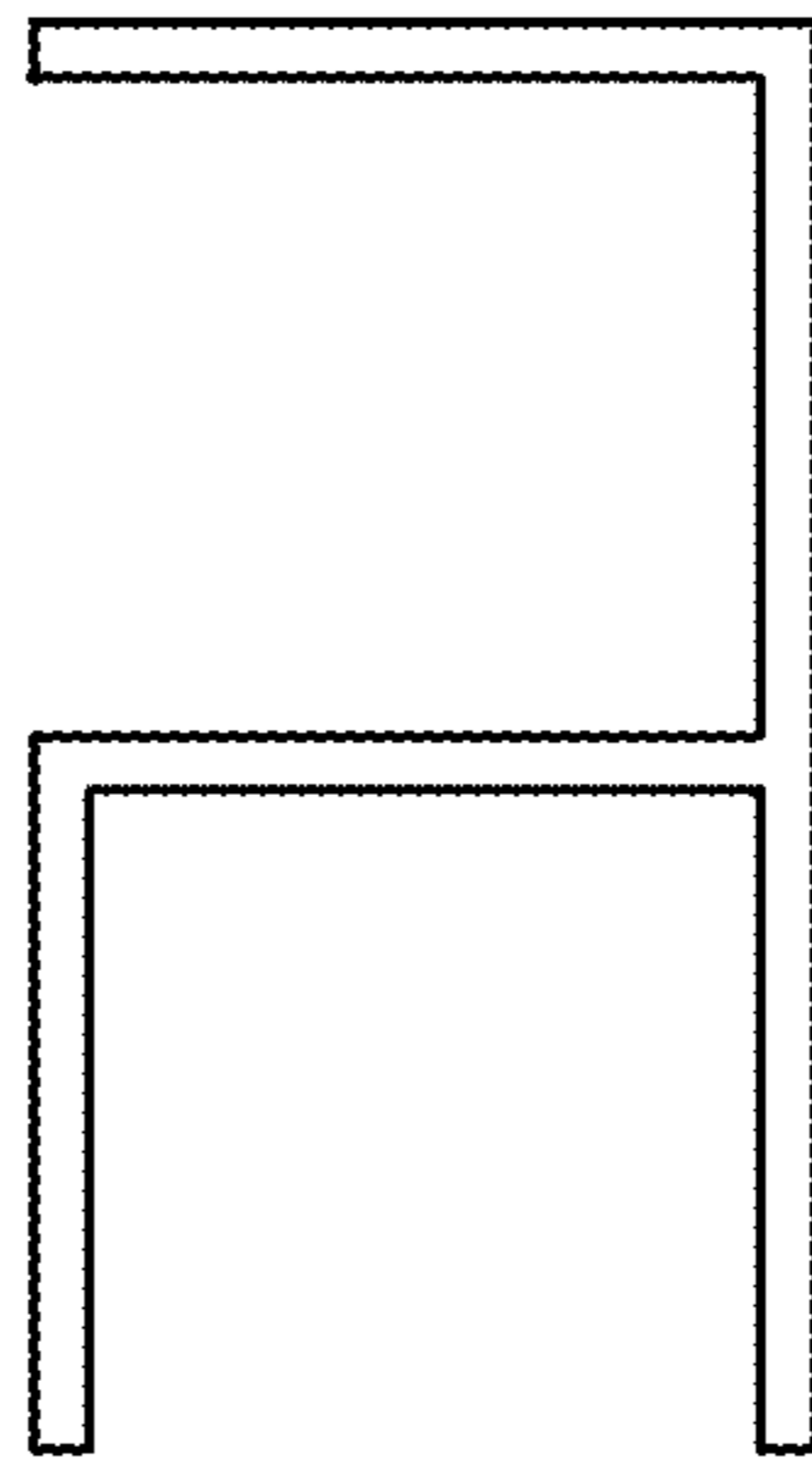


FIG. 15