



US00D829025S

(12) **United States Design Patent** (10) **Patent No.:** **US D829,025 S**  
**Davis et al.** (45) **Date of Patent:** **\*\* Sep. 25, 2018**

(54) **STAND**  
(71) Applicant: **WALKER EDISON FURNITURE COMPANY, LLC**, Salt Lake City, UT (US)  
(72) Inventors: **Matthew Davis**, Murray, UT (US); **Brad Bonham**, Draper, UT (US)  
(73) Assignee: **WALKER EDISON FURNITURE COMPANY LLC**, Salt Lake City, UT (US)

D519,299 S \* 4/2006 Boudreau ..... D6/657  
D529,314 S \* 10/2006 Tako ..... D6/675  
D540,070 S \* 4/2007 Bibi ..... D21/397  
D571,779 S \* 6/2008 Matsuoka ..... D14/168  
D584,073 S \* 1/2009 Mohundro ..... D6/642  
D584,533 S \* 1/2009 Mohundro ..... D6/686  
D584,541 S \* 1/2009 Mohundro ..... D6/667  
D587,497 S \* 3/2009 Zambelli ..... D6/675.1  
D588,832 S \* 3/2009 Mohundro ..... D6/667  
D615,776 S \* 5/2010 Bauchet ..... D6/675  
D616,225 S \* 5/2010 Calco ..... D6/675.1  
D616,226 S \* 5/2010 Calco ..... D6/675.1  
D620,283 S \* 7/2010 Calco ..... D6/675.1  
D636,617 S \* 4/2011 Lara ..... D6/678.1  
D752,905 S \* 4/2016 Healy ..... D6/657

(\*\*) Term: **15 Years**

\* cited by examiner

(21) Appl. No.: **29/611,955**

*Primary Examiner* — Kelley Donnelly

(22) Filed: **Jul. 27, 2017**

(74) *Attorney, Agent, or Firm* — Workman Nydegger

(51) **LOC (11) Cl.** ..... **06-06**

(57) **CLAIM**

(52) **U.S. Cl.**  
USPC ..... **D6/675**

The ornamental design for a stand, as shown and described.

(58) **Field of Classification Search**  
USPC ..... D6/320, 323, 326, 512, 672–673, D6/675–675.1  
CPC .... A47F 5/0018; A47F 5/0081; A47F 5/0043; A47B 96/00  
See application file for complete search history.

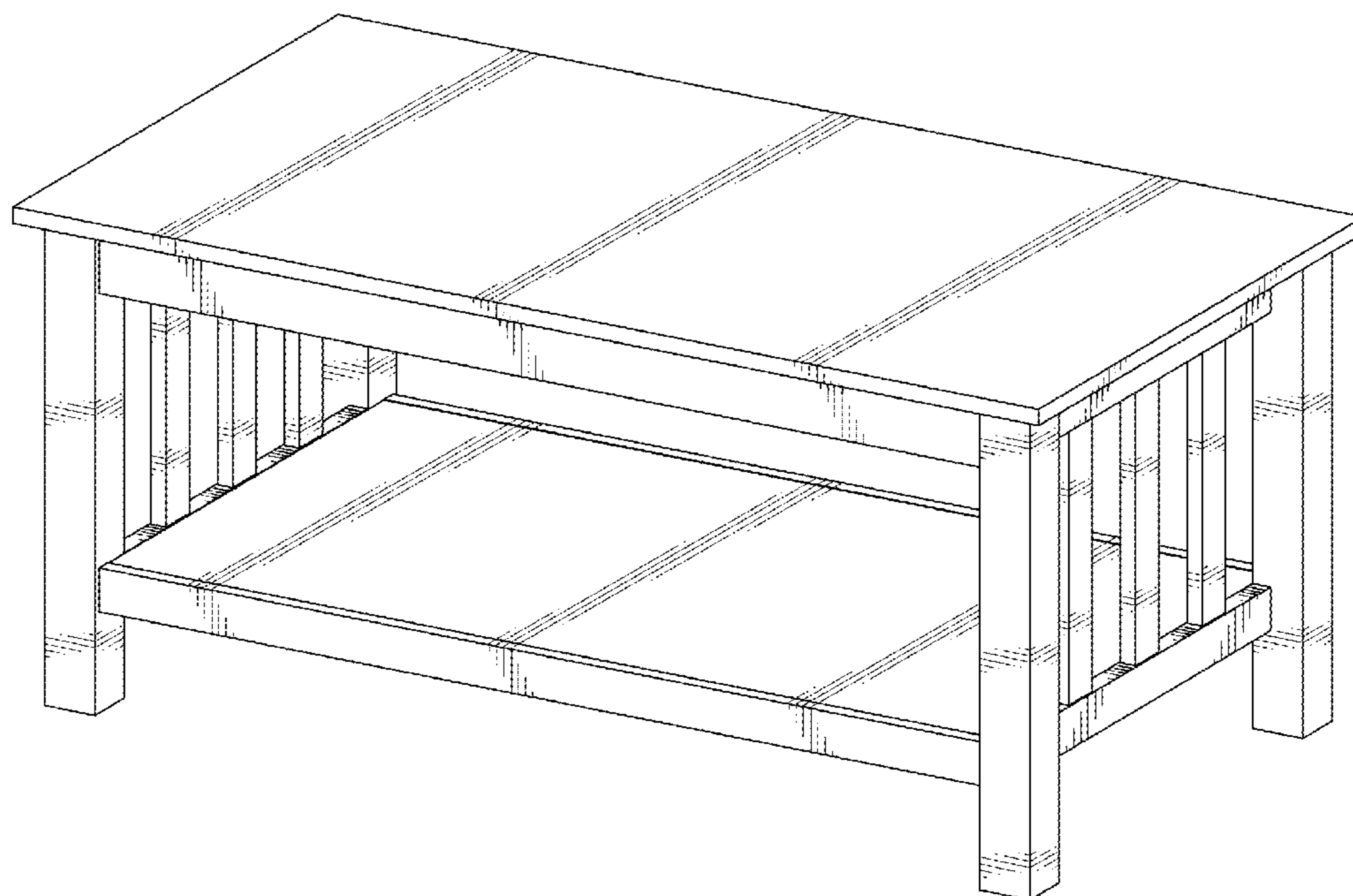
**DESCRIPTION**

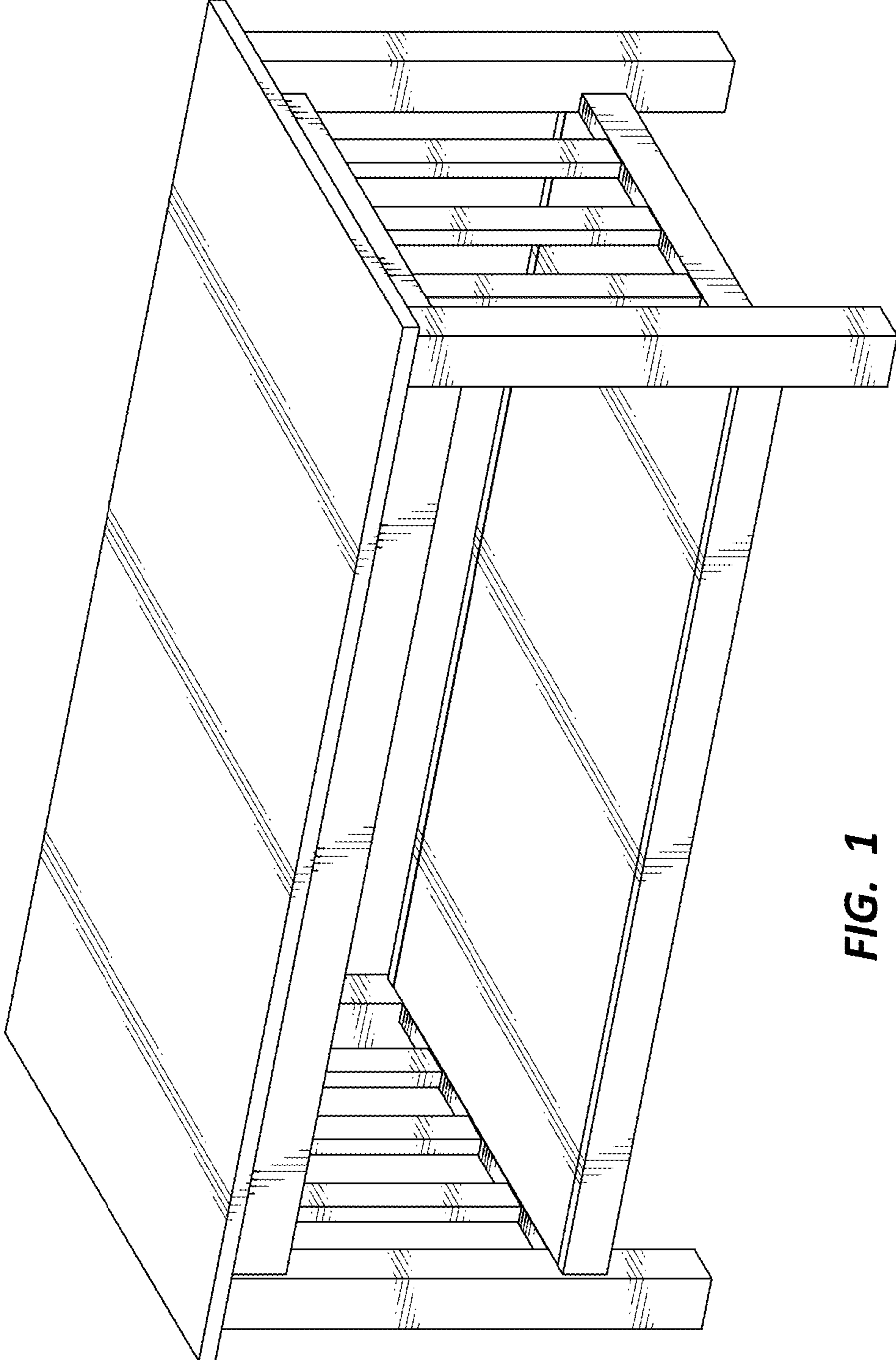
FIG. 1 is a front perspective view of a stand;  
FIG. 2 is a front elevation view thereof;  
FIG. 3 is a back elevation view thereof;  
FIG. 4 is a top plan view thereof;  
FIG. 5 is a bottom plan view thereof;  
FIG. 6 is a right elevation view thereof; and,  
FIG. 7 is a left elevation view thereof.  
The dash-dash broken lines are for illustrative purposes only and form no part of the claimed design.

(56) **References Cited**  
U.S. PATENT DOCUMENTS

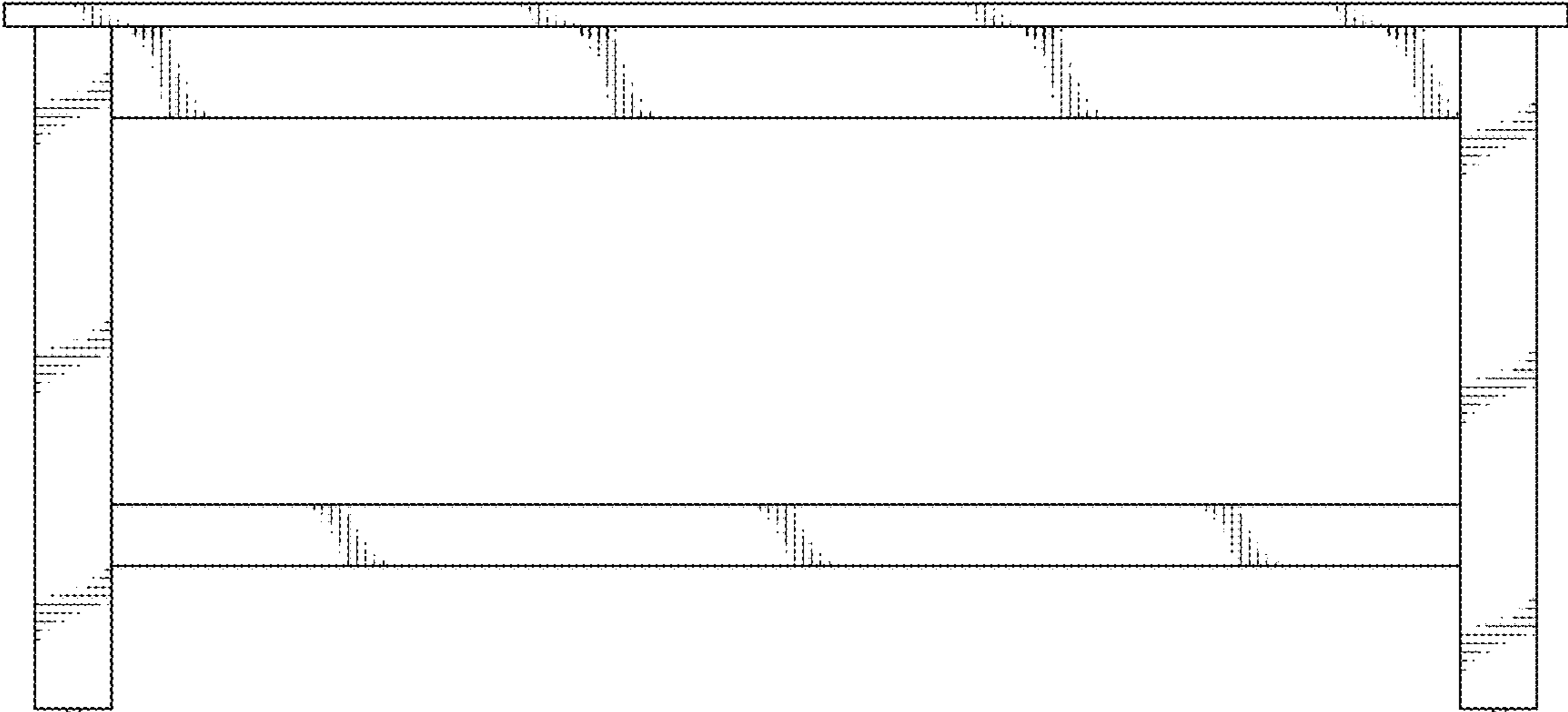
D350,452 S \* 9/1994 Ward ..... D6/691.1  
D362,770 S \* 10/1995 Green ..... D6/691  
D413,460 S \* 9/1999 Schroeder ..... D6/691.9

**1 Claim, 4 Drawing Sheets**

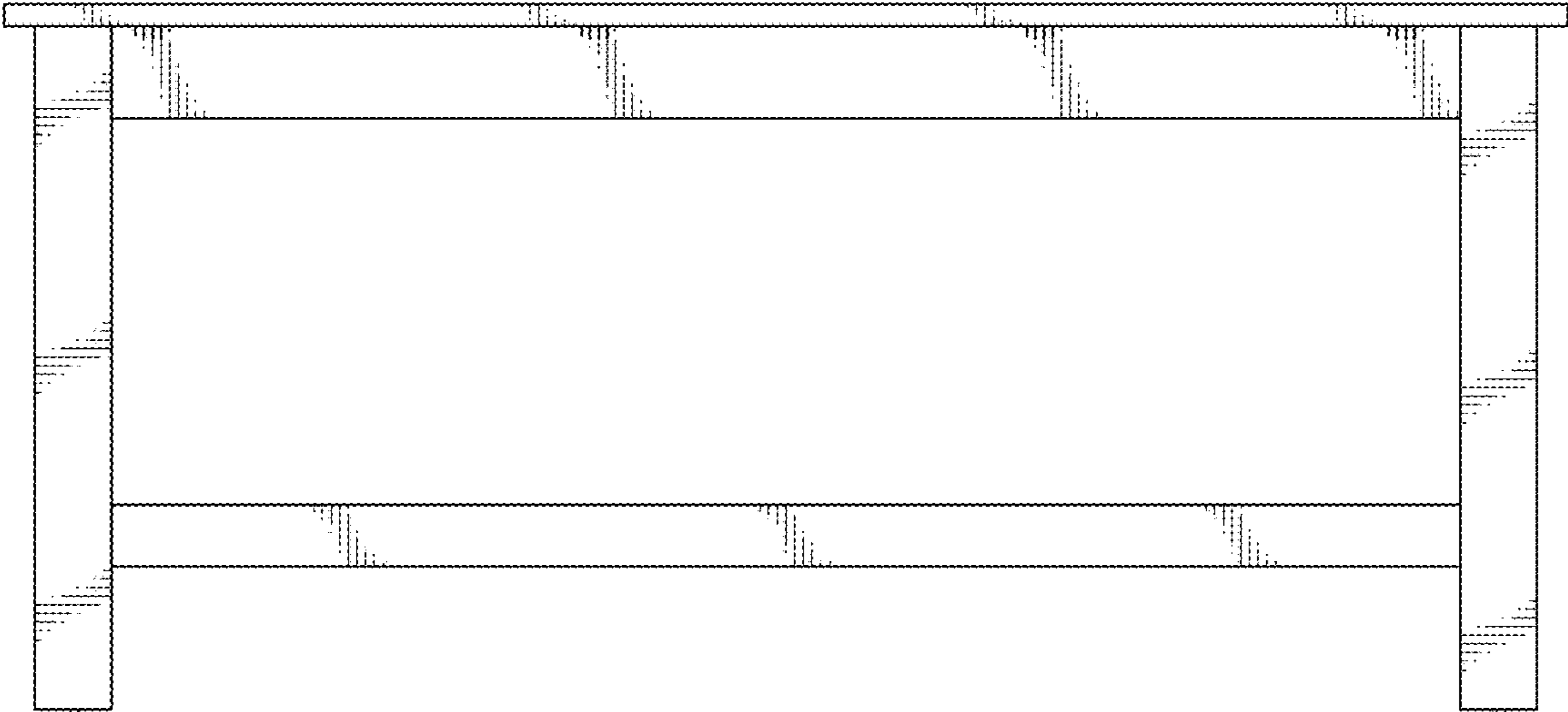




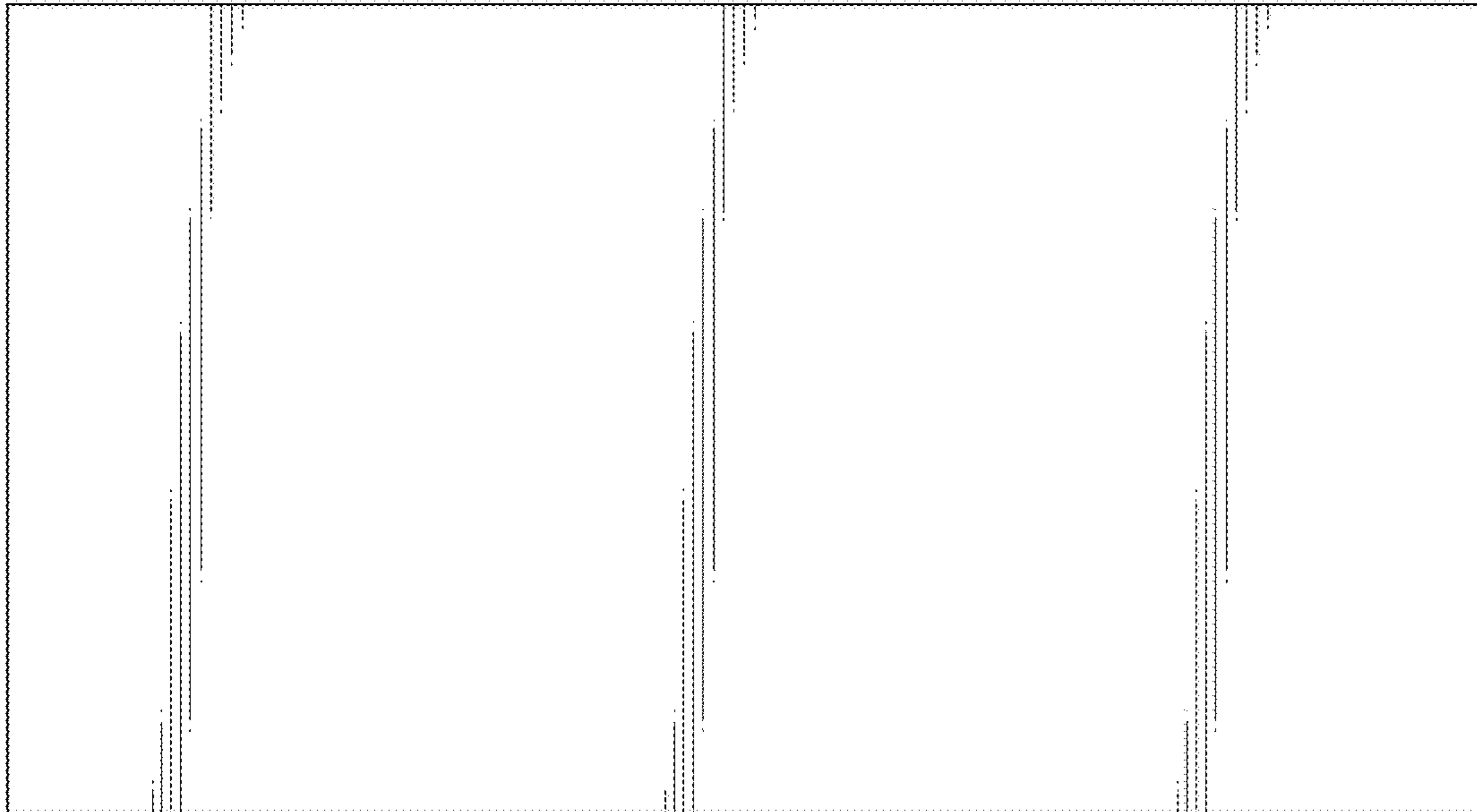
**FIG. 1**



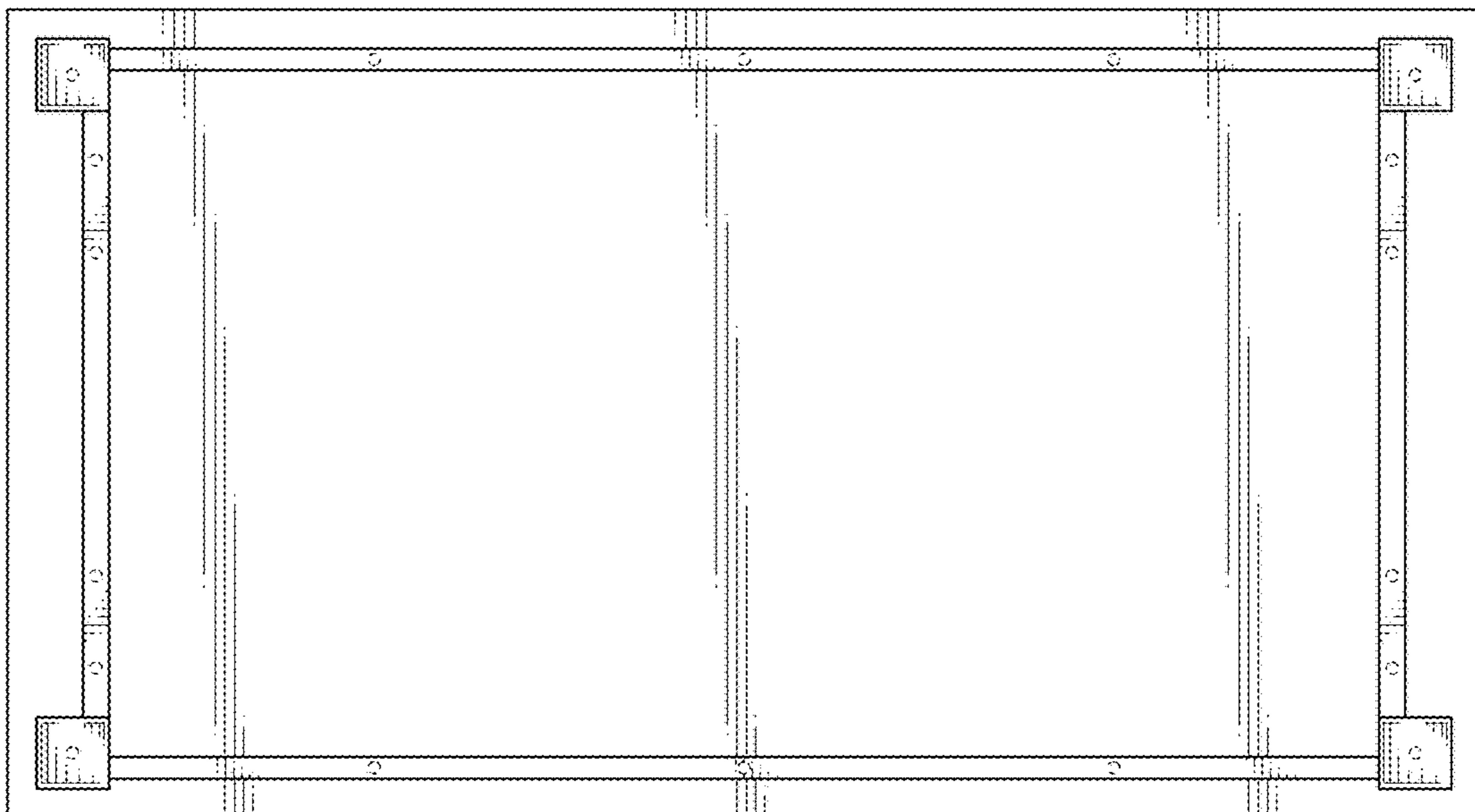
**FIG. 2**



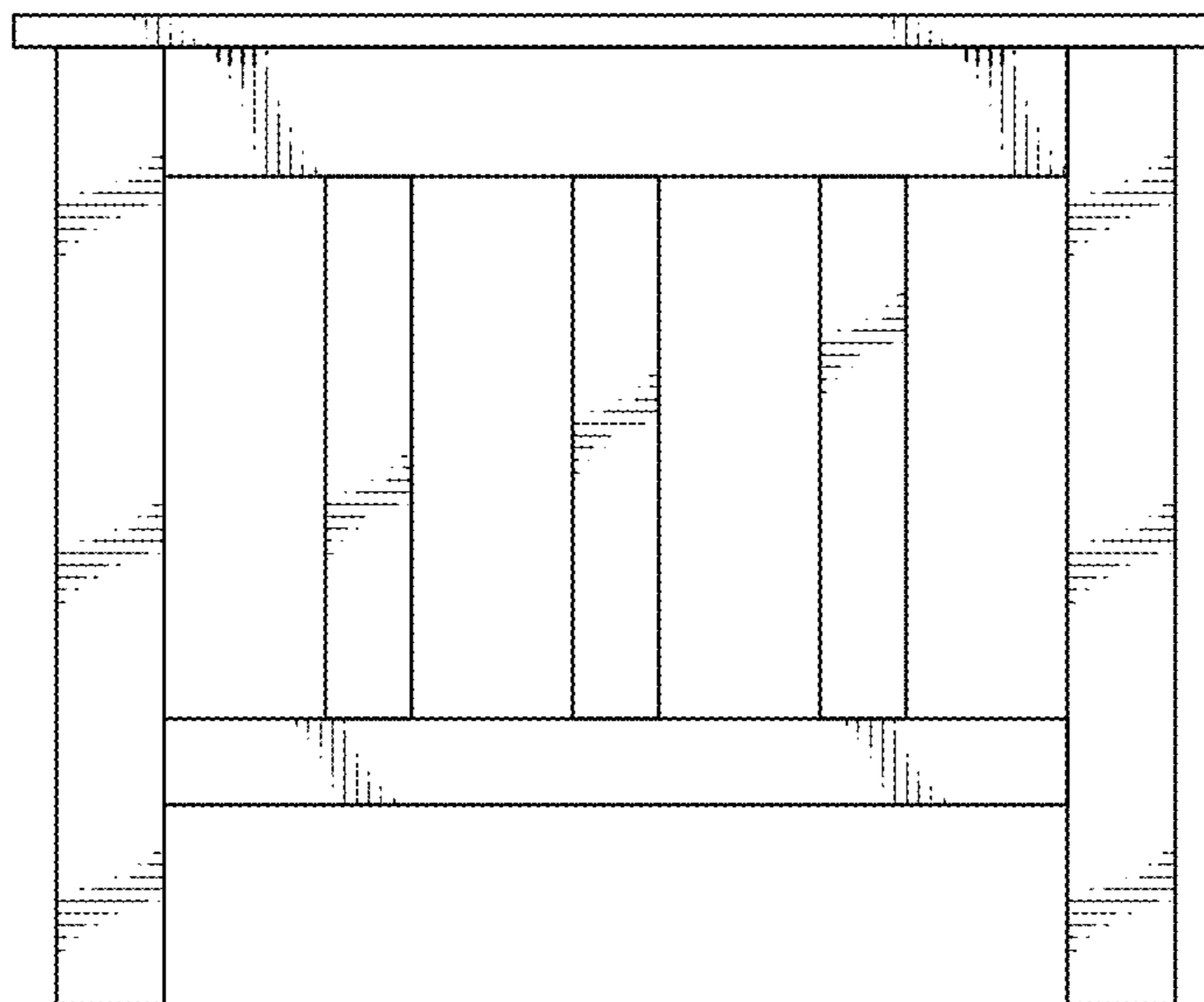
**FIG. 3**



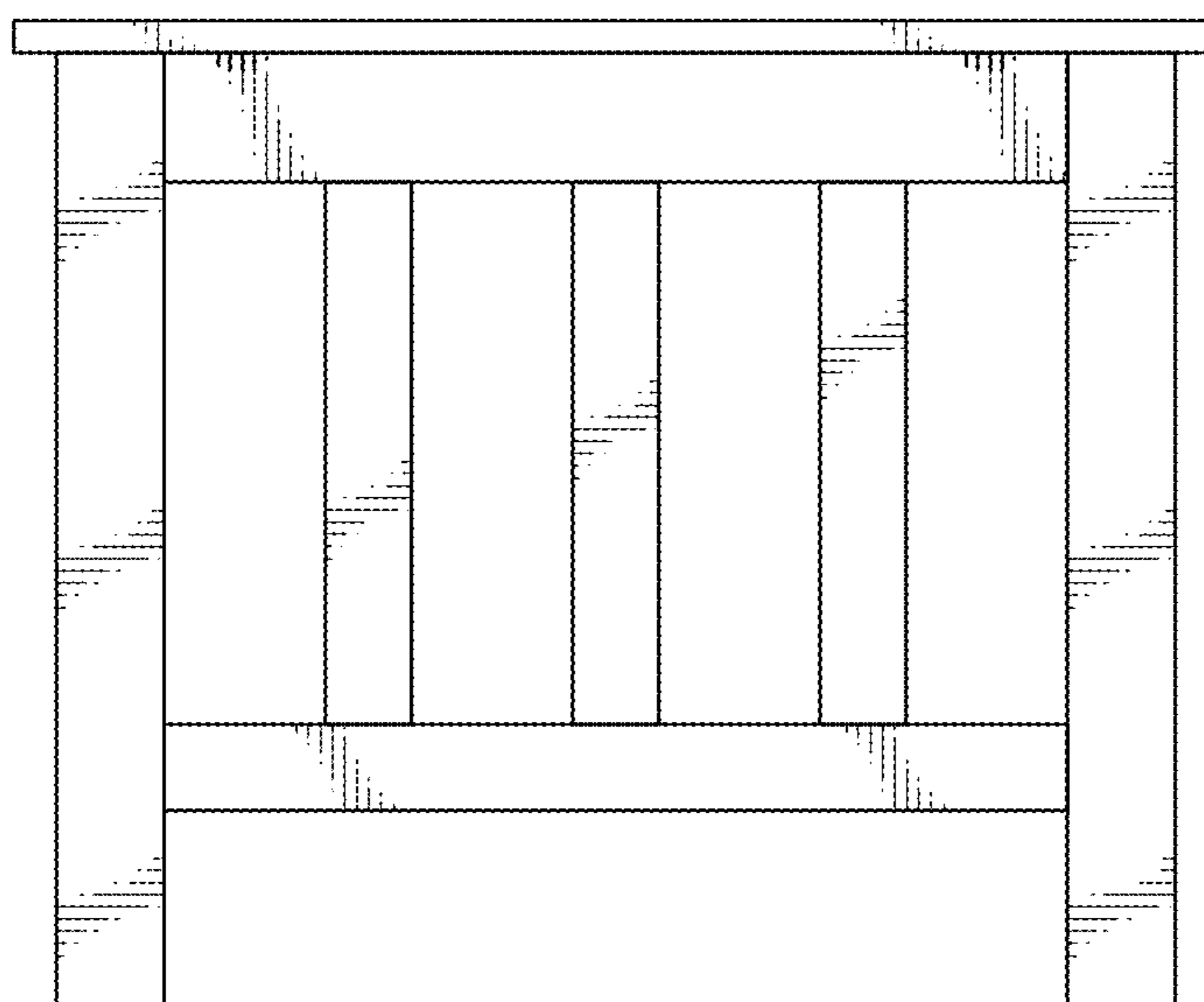
**FIG. 4**



**FIG. 5**



**FIG. 6**



**FIG. 7**