



US00D829023S

(12) **United States Design Patent** (10) **Patent No.:** **US D829,023 S**
Gu (45) **Date of Patent:** **** Sep. 25, 2018**

(54) **ADJUSTABLE SIT AND STAND DESK**
(71) Applicant: **CHANGZHOU BXINYUSE LIFT TABLE MANUFACTURE CO, LTD,** Changzhou (CN)
(72) Inventor: **Xiaoyan Gu,** Changzhou (CN)
(73) Assignee: **CHANGZHOU BXINYUSE LIFT TABLE MANUFACTURING CO, LTD,** Changzhou, Jiangsu (CN)
(**) Term: **15 Years**

D769,881 S * 10/2016 Lazzi D14/452
D771,981 S * 11/2016 Flaherty D6/655
D781,617 S * 3/2017 Flaherty D6/655
D781,619 S * 3/2017 Flaherty D6/655
D787,237 S * 5/2017 Bowman D6/656.15
2007/0145203 A1* 6/2007 Takada F16M 11/10
248/162.1
2012/0119040 A1* 5/2012 Ergun A47B 21/02
248/126
2012/0187056 A1* 7/2012 Hazzard A47B 21/02
211/26
2013/0126682 A1* 5/2013 Tholkes F16M 11/046
248/125.8
2015/0159804 A1* 6/2015 Bowman F16M 11/045
248/122.1

(21) Appl. No.: **29/588,944**
(22) Filed: **Dec. 26, 2016**
(51) **LOC (11) Cl.** **06-03**
(52) **U.S. Cl.**
USPC **D6/656.15**
(58) **Field of Classification Search**
USPC D6/641, 642, 648, 648.1, 648.2, 648.3,
D6/648.4, 649, 653, 655, 655.11, 655.13,
D6/656, 656.15, 699, 708, 708.16,
D6/708.17, 709, 709.2, 710
CPC A47B 7/00; A47B 13/08; A47B 13/10;
A47B 21/00; A47B 2009/006; A47B
11/00; A47B 2200/002
See application file for complete search history.

* cited by examiner

Primary Examiner — Mary Ann Calabrese
Assistant Examiner — Sloan Rozin
(74) *Attorney, Agent, or Firm* — Timothy T. Wang; Ni, Wang & Massand, PLLC

(56) **References Cited**
U.S. PATENT DOCUMENTS
D166,377 S * 4/1952 Curtis D6/678.2
D435,986 S * 1/2001 Hines D6/655.11
7,195,213 B2* 3/2007 Weatherly A47B 81/061
248/124.1
D576,427 S * 9/2008 Stebbens D6/675.1
D733,476 S * 7/2015 Papic D6/655.16

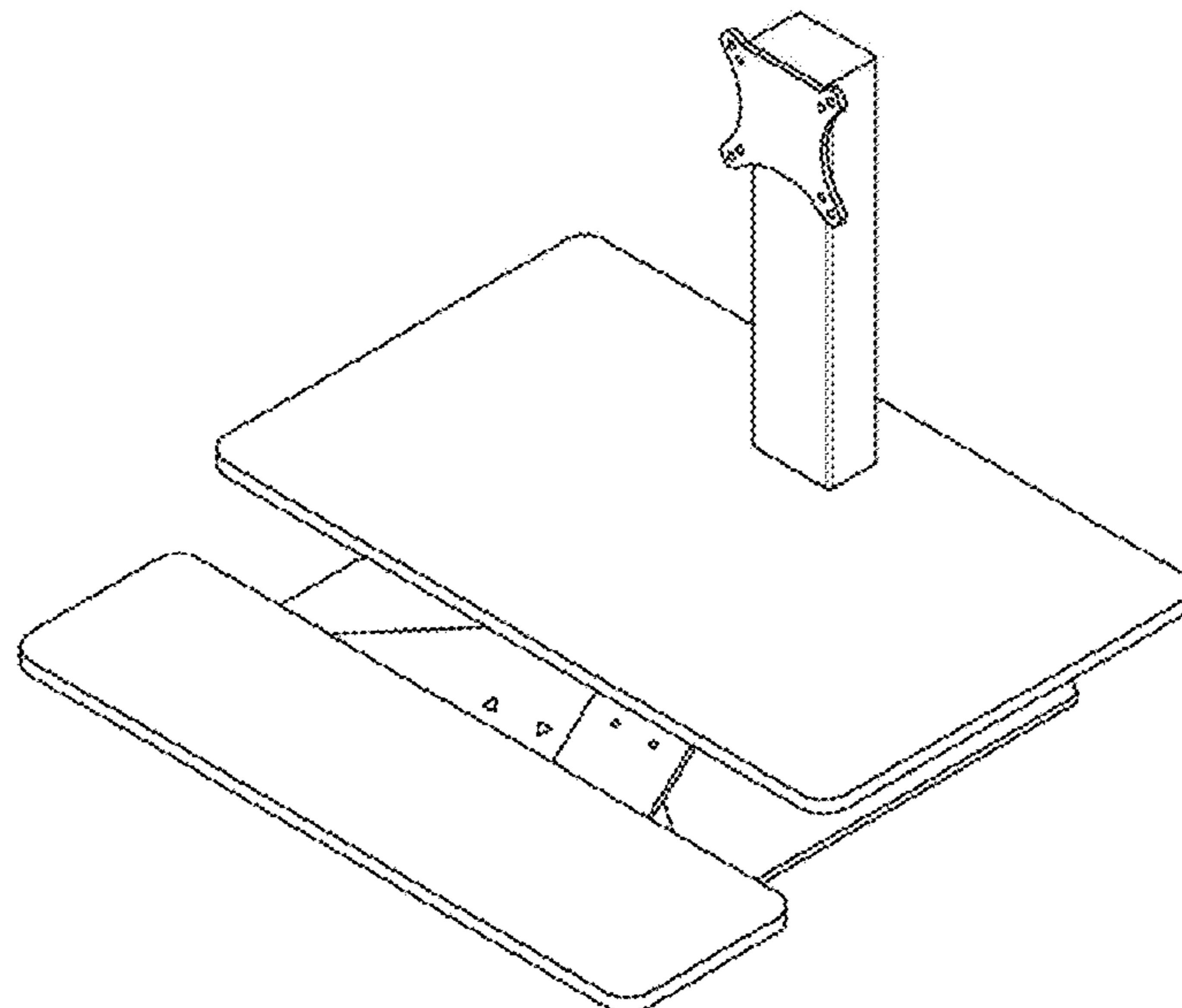
(57) **CLAIM**

The ornamental design for an adjustable sit and stand desk, as shown and described.

DESCRIPTION

FIG. 1 is a perspective view of an adjustable sit and stand desk showing my new design;
FIG. 2 is a front elevational view of thereof;
FIG. 3 is a rear elevational view thereof;
FIG. 4 is a left side elevational view thereof;
FIG. 5 is a right side elevational view thereof;
FIG. 6 is a top plan view thereof; and,
FIG. 7 is a bottom plan view thereof.
The broken lines in the drawings depict part of the adjustable sit and stand desk that form no part of the claimed design.

1 Claim, 7 Drawing Sheets



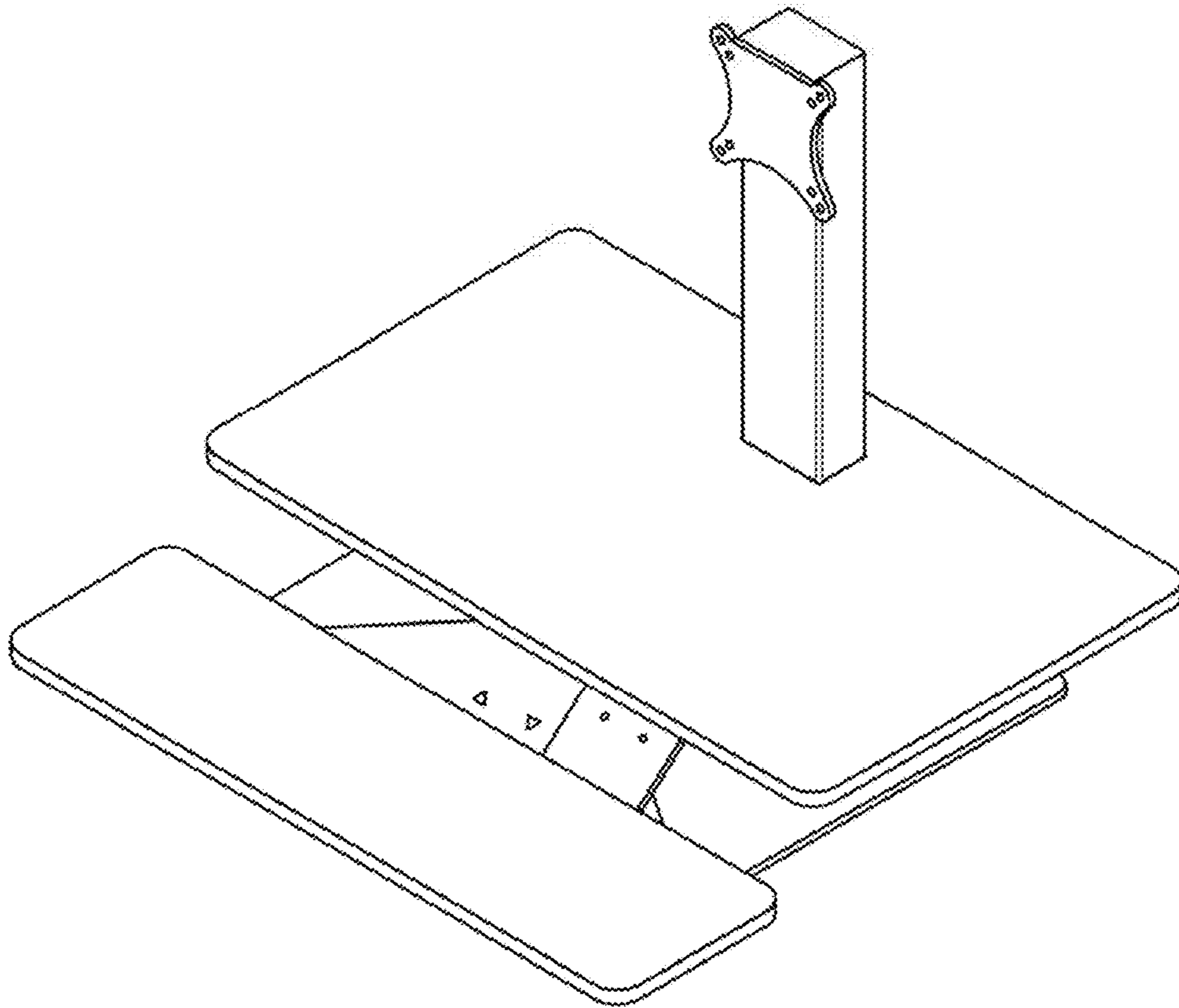


FIG. 1

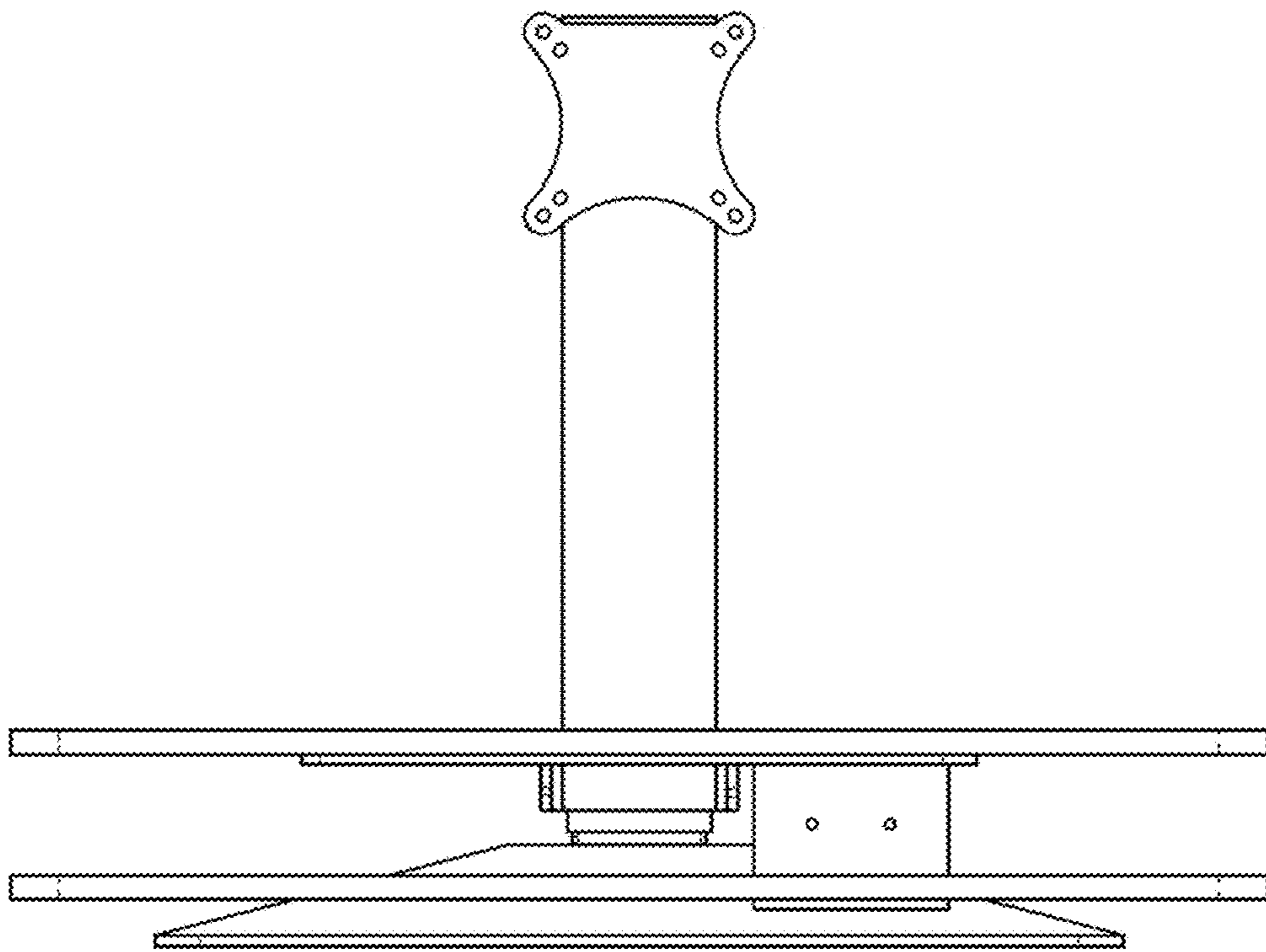


FIG. 2

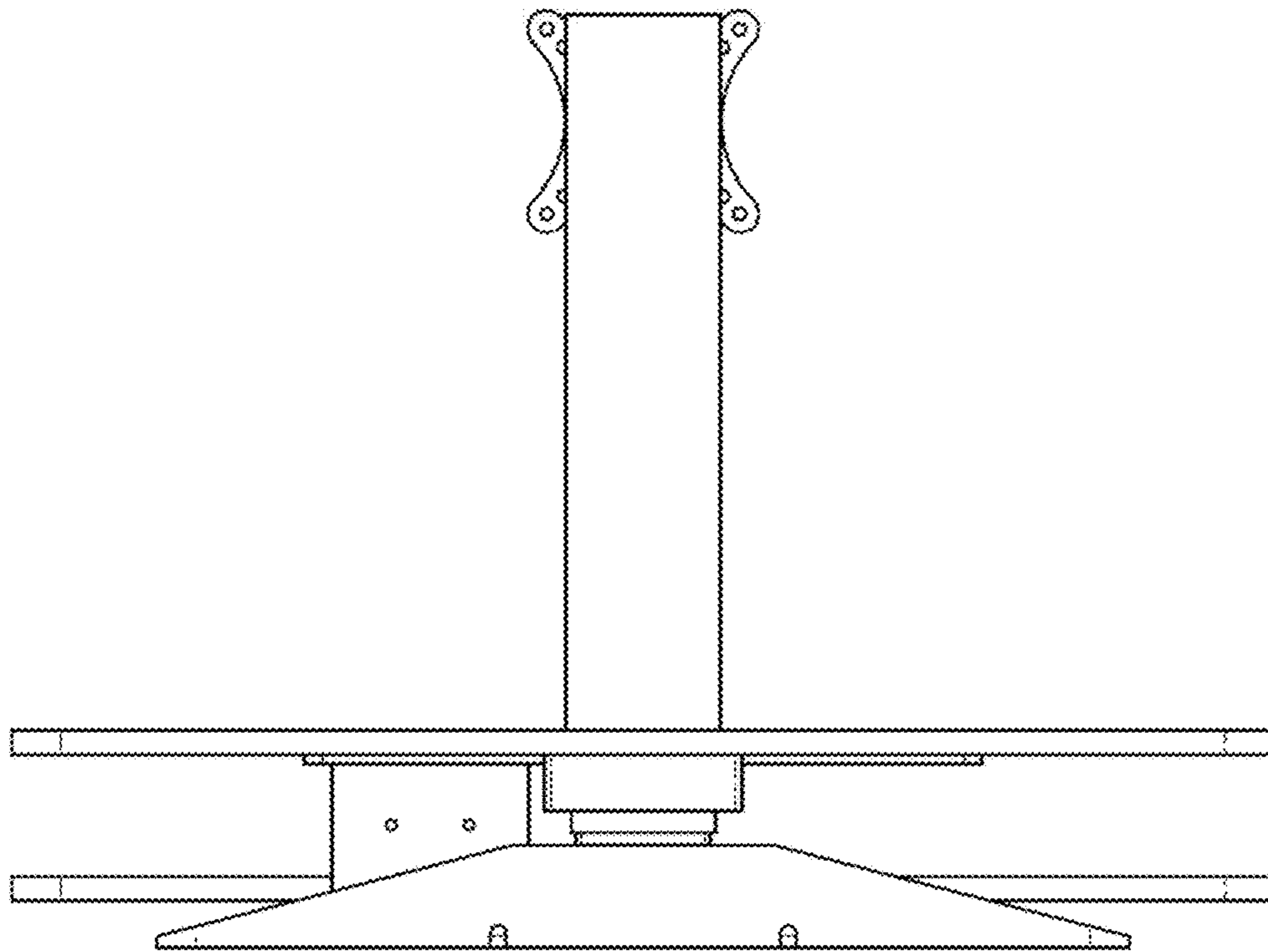


FIG. 3

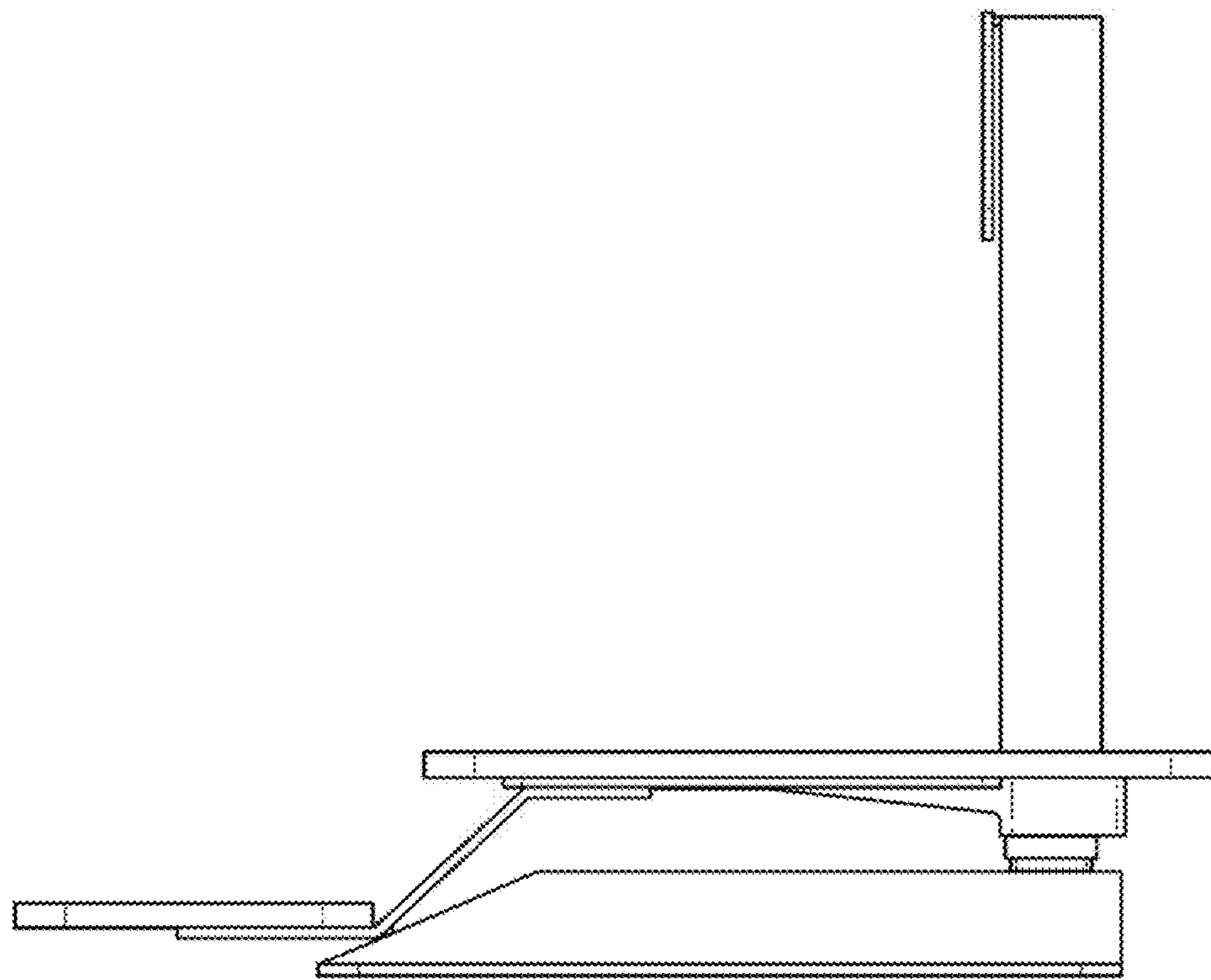


FIG. 4

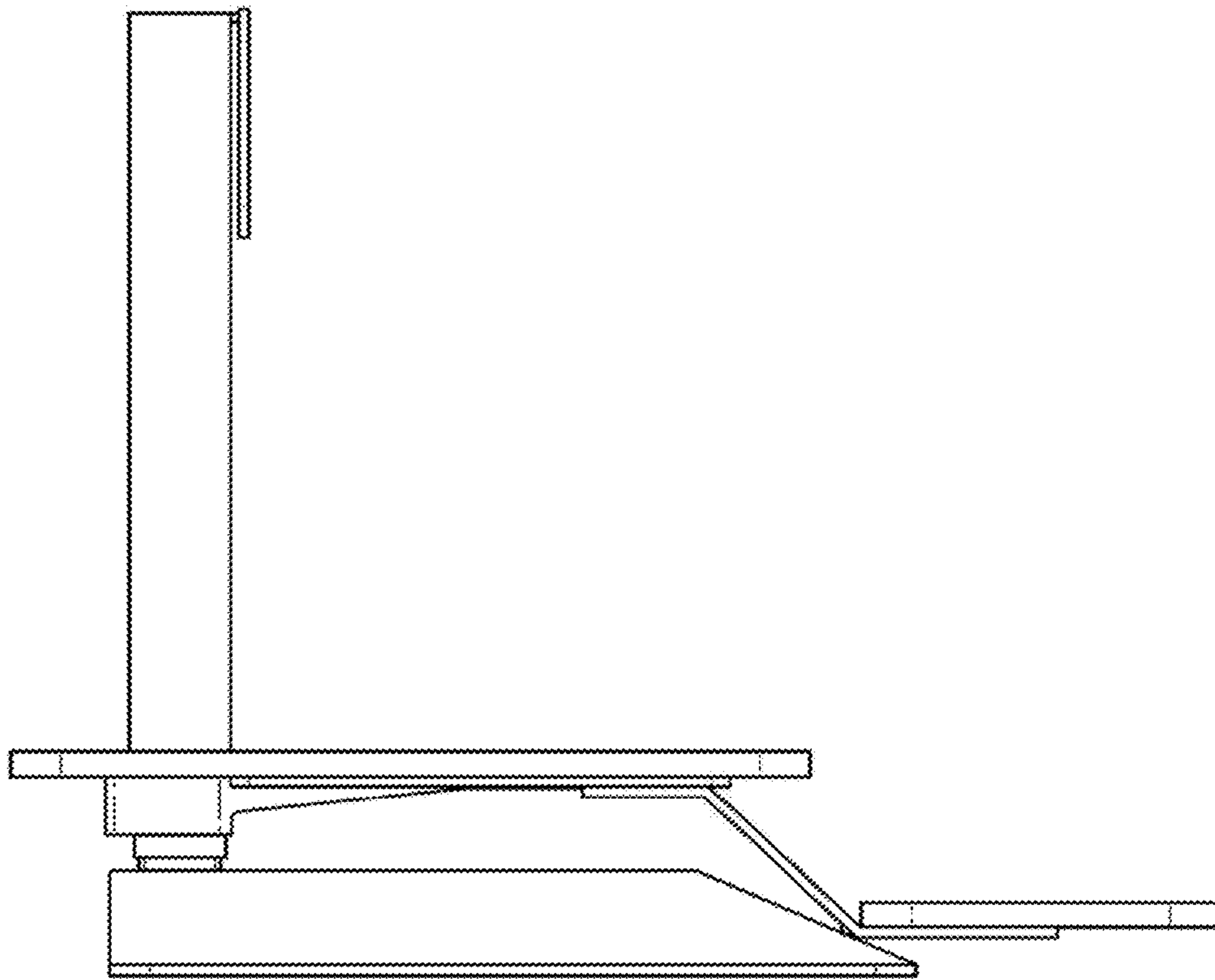


FIG. 5

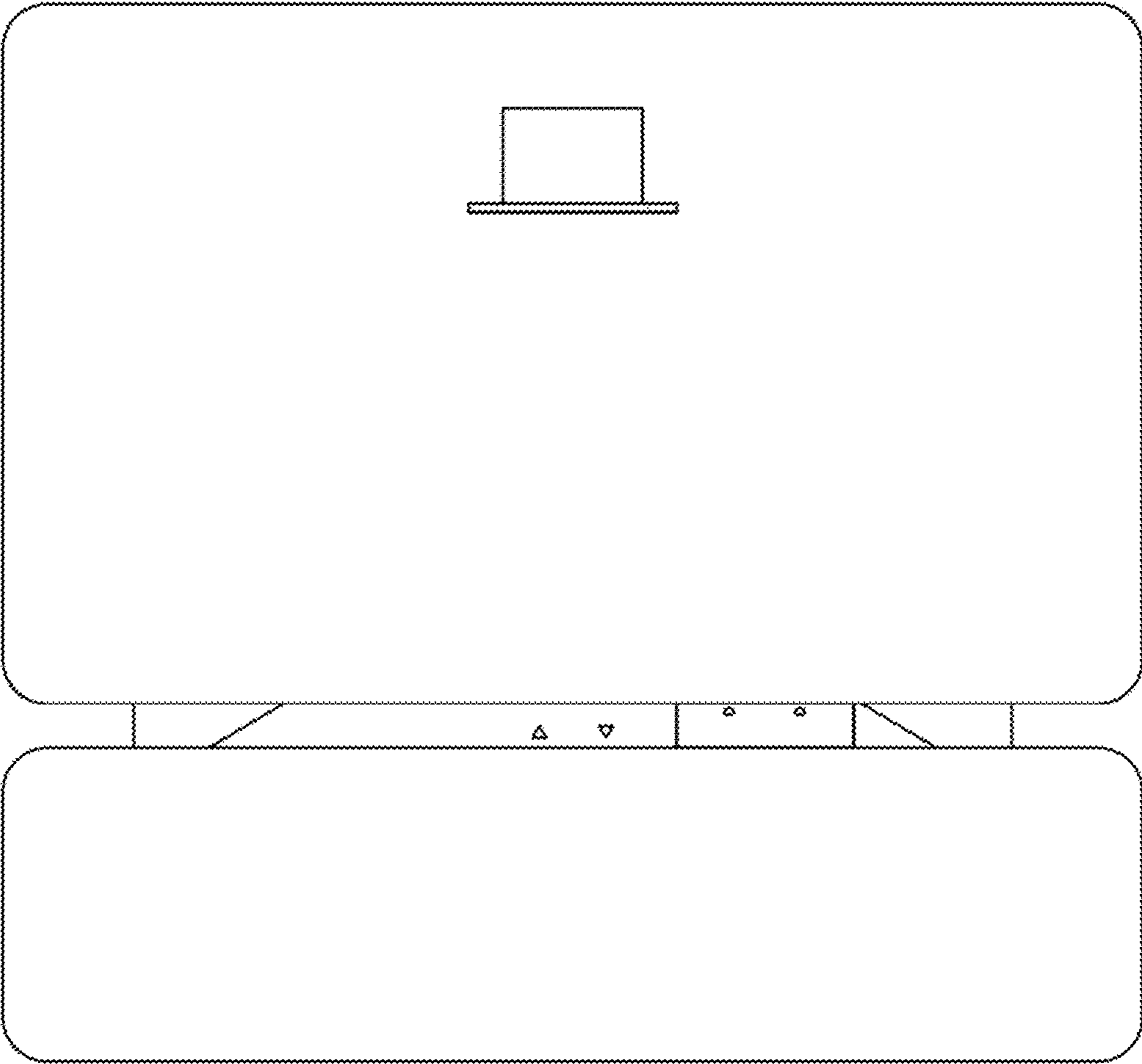


FIG. 6

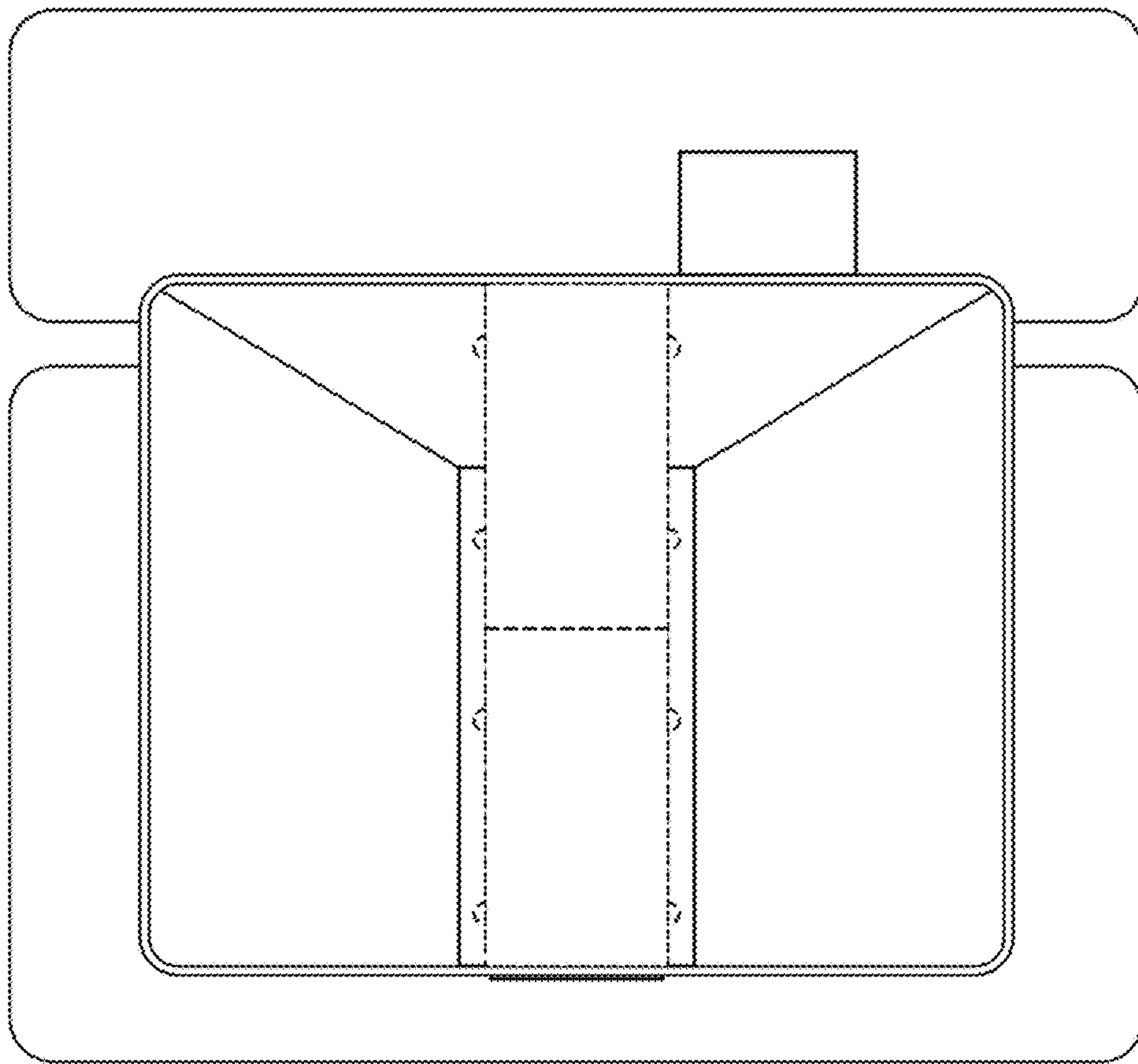


FIG. 7