



US00D829019S

(12) **United States Design Patent** (10) **Patent No.:** **US D829,019 S**
Sohn (45) **Date of Patent:** **** Sep. 25, 2018**

(54) **RING HOLDER FOR BATTERY POWERED TOOTHBRUSH**

(71) Applicant: **One Star International Co., Ltd.**,
Incheon (KR)

(72) Inventor: **Jae Hoon Sohn**, Incheon (KR)

(73) Assignee: **One Star International Co., Ltd.**,
Incheon (KR)

(**) Term: **15 Years**

(21) Appl. No.: **29/590,330**

(22) Filed: **Jan. 9, 2017**

(51) **LOC (11) Cl.** **23-02**

(52) **U.S. Cl.**
USPC **D6/534**

(58) **Field of Classification Search**
USPC D6/534, 536, 546, 682, 352, 708.25;
D4/100, 104, 110, 116, 119, 121, 127,
D4/129, 130, 136, 137, 138, 101, 102;
15/167.1-167.2; D3/207; D8/367;
D9/434; D14/251, 217; D11/5, 26, 27,
D11/39; D15/138; 224/197, 567;
248/213.2; D24/176
CPC A46B 15/0081; A46B 2200/1026; A46B
3/22; A46B 9/005; A46B 9/026; A46B
9/06; A61F 2/2448; A47F 7/02; A61B
50/20; A61B 2017/00477; A45F
2200/0516; A45F 2200/0558; A45F 5/00;
A44B 15/002; A44C 17/0258; A44C 9/00
See application file for complete search history.

(56) **References Cited**

U.S. PATENT DOCUMENTS

D306,799 S * 3/1990 Colan D3/207
D436,666 S * 1/2001 Hammerlund D24/176
6,179,259 B1 * 1/2001 Schioldager B65D 83/40
206/228
D488,657 S * 4/2004 Murphy D6/534

D801,789 S * 11/2017 Angay D8/367
2015/0122852 A1 * 5/2015 Feng A45F 5/00
224/191
2016/0039357 A1 * 2/2016 Jang A45F 5/00
224/567

* cited by examiner

Primary Examiner — Wan Laymon

Assistant Examiner — Mark Booker

(74) *Attorney, Agent, or Firm* — Robert J. Lauson, Esq.;
Lauson & Tarver LLP

(57) **CLAIM**

I claim the ornamental design for a ring holder for battery powered toothbrush, as shown and described.

DESCRIPTION

FIG. 1 is a front perspective view of the ring holder for battery powered toothbrush.

FIG. 2 is a top view thereof.

FIG. 3 is a bottom view thereof.

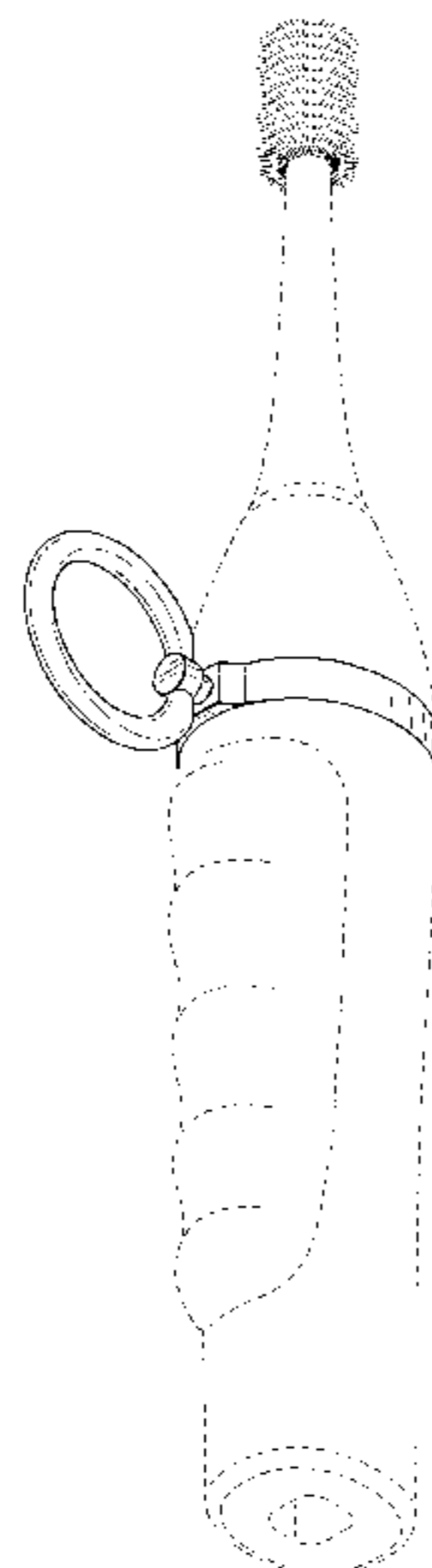
FIG. 4 is a right side view thereof, the left side being a mirror image.

FIG. 5 is a front view thereof; and,

FIG. 6 is a rear view thereof.

The broken lines shown in the figures represent portions of the ring holder for battery powered toothbrush that form no part of the claimed design.

1 Claim, 2 Drawing Sheets



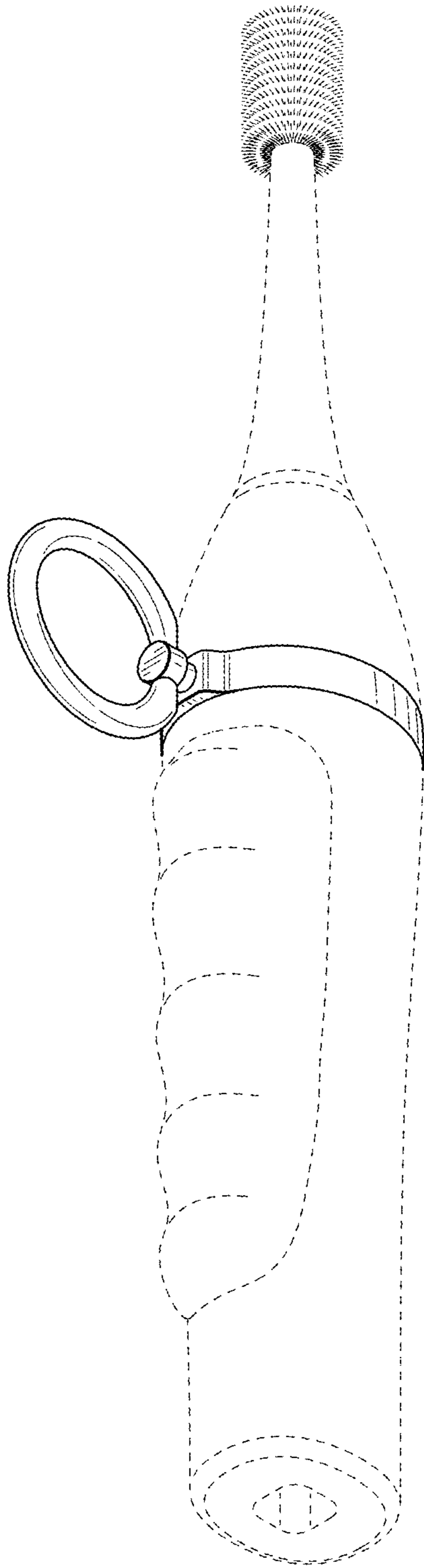


FIG. 1

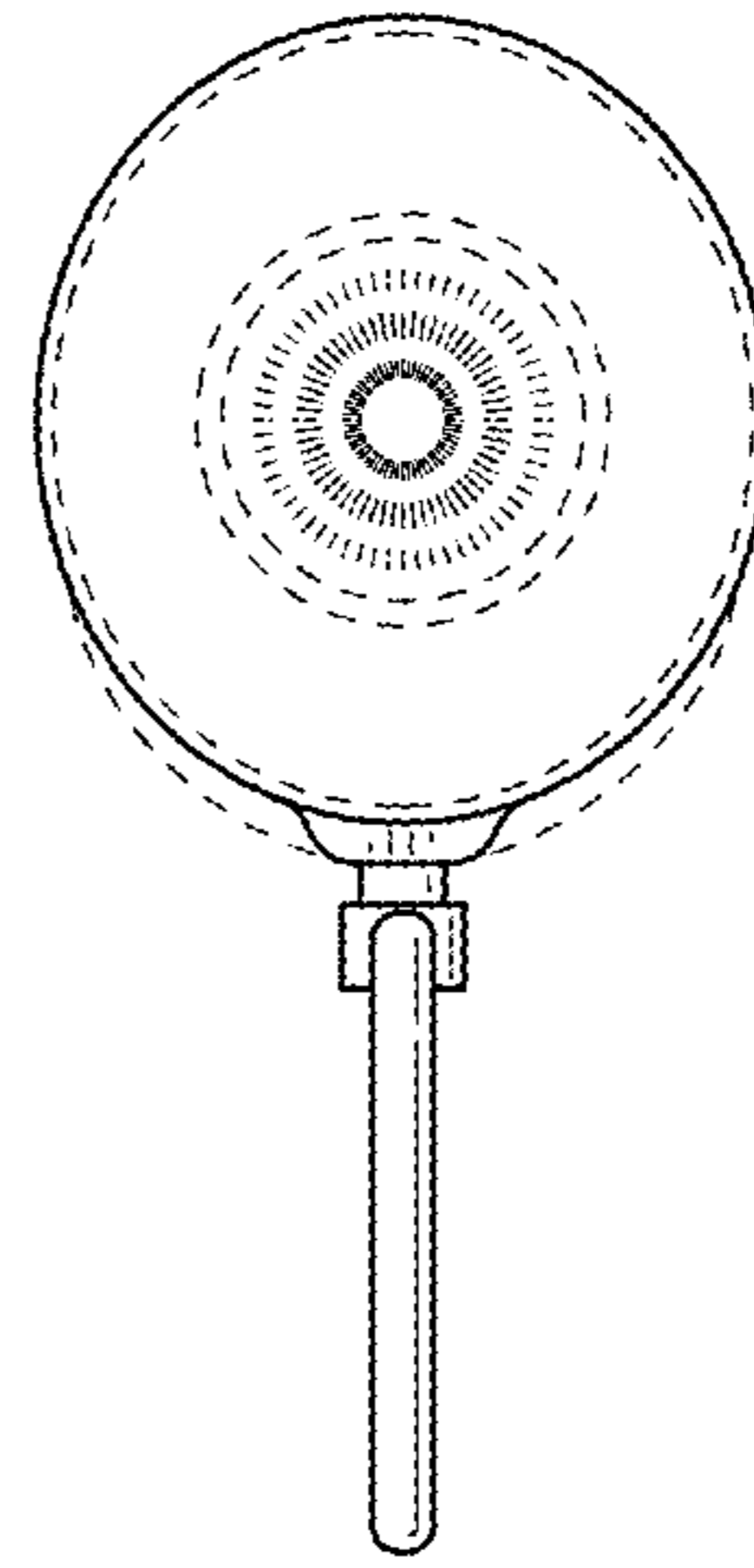


FIG. 2

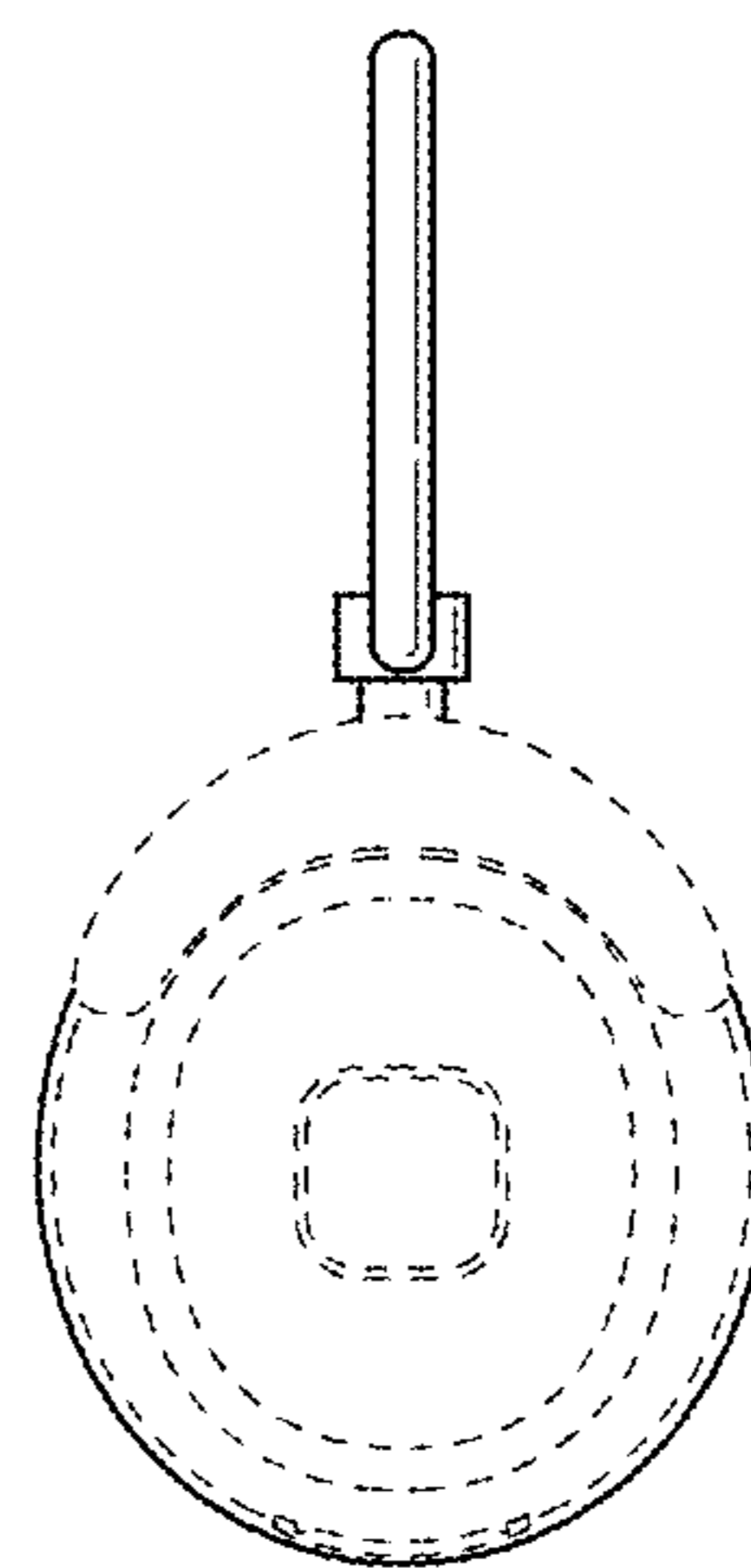


FIG. 3

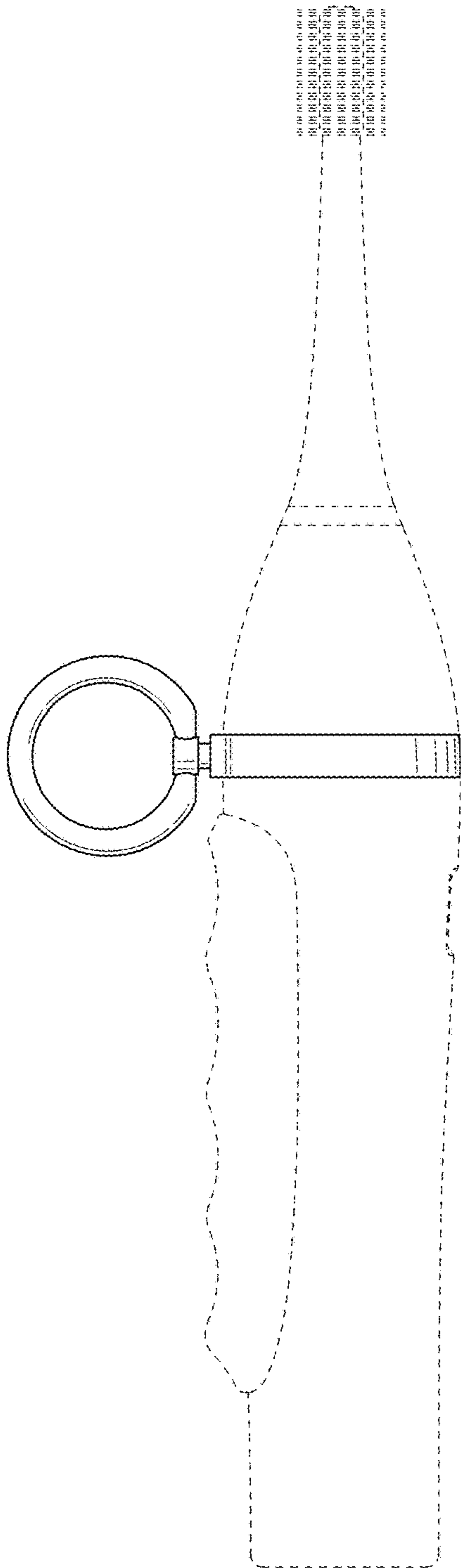


FIG. 4

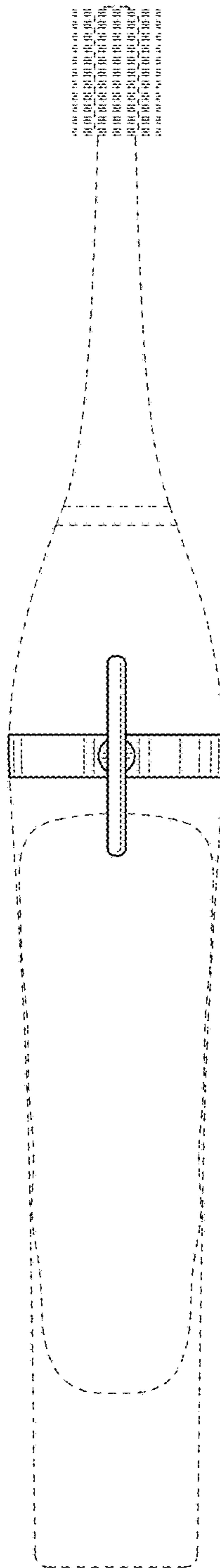


FIG. 5

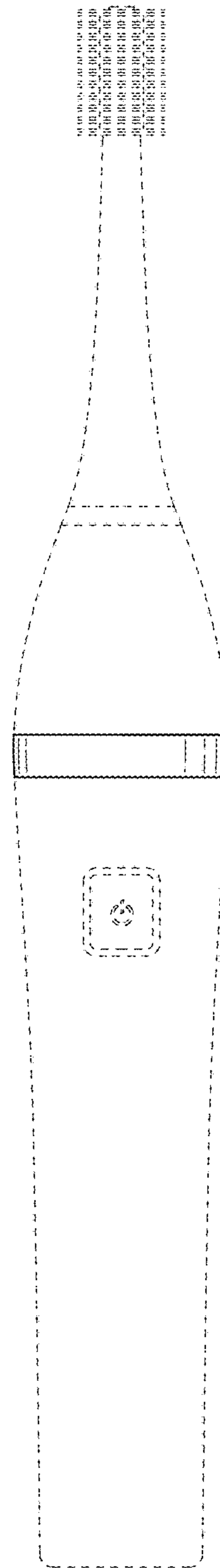


FIG. 6