



US00D829014S

(12) **United States Design Patent** (10) **Patent No.:** **US D829,014 S**  
**Handler et al.** (45) **Date of Patent:** **\*\* Sep. 25, 2018**

(54) **STOOL**

(71) Applicants: **Sheryl Handler**, Cambridge, MA (US);  
**Kelly Louise Casilio**, West Newton,  
MA (US); **Nadine M. Volicer**, Boston,  
MA (US); **Carl Martinez**, Easton, PA  
(US)

(72) Inventors: **Sheryl Handler**, Cambridge, MA (US);  
**Kelly Louise Casilio**, West Newton,  
MA (US); **Nadine M. Volicer**, Boston,  
MA (US); **Carl Martinez**, Easton, PA  
(US)

(73) Assignee: **Art Design Works LLC**, Lexington,  
MA (US)

(\*\*) Term: **15 Years**

(21) Appl. No.: **29/575,033**

(22) Filed: **Aug. 22, 2016**

**Related U.S. Application Data**

(63) Continuation of application No. 29/502,595, filed on  
Sep. 17, 2014.

(51) **LOC (11) Cl.** ..... **06-01**

(52) **U.S. Cl.**  
USPC ..... **D6/352; D6/360; D6/692.3**

(58) **Field of Classification Search**  
USPC ..... D6/334, 349-355, 358, 360-368,  
D6/371-374, 403, 405, 601, 604, 657,  
D6/675.4, 685, 688.17, 690, 691-691.9,  
D6/692-692.6, 693-693.3, 695, 708,  
D6/708.15-708.25, 709.11; D25/62-65  
CPC .... A47C 9/00-9/105; A47C 7/00-7/02; A47C  
16/00-16/04; A47C 11/00; A47C 3/18;  
A47C 3/20; A47C 12/00; A47C 13/00

See application file for complete search history.

(56) **References Cited**

**U.S. PATENT DOCUMENTS**

D93,968 S \* 12/1934 Brower ..... D6/692.3  
D127,494 S 5/1941 Wesling  
D151,984 S 12/1948 Guertin  
D156,463 S 12/1949 Rita  
3,312,437 A \* 4/1967 Barth ..... A47C 3/029  
248/158  
3,536,359 A 10/1970 Amos  
(Continued)

**OTHER PUBLICATIONS**

Holland Bar Stool. [online] Published on Mar. 2, 2017. Retrieved  
Aug. 14, 2017 from URL: <http://www.gotowebstore.com/422PT36RBGA1>.\*

(Continued)

*Primary Examiner* — Vy N Koenig

(74) *Attorney, Agent, or Firm* — Wolf, Greenfield &  
Sacks, P.C.

(57) **CLAIM**

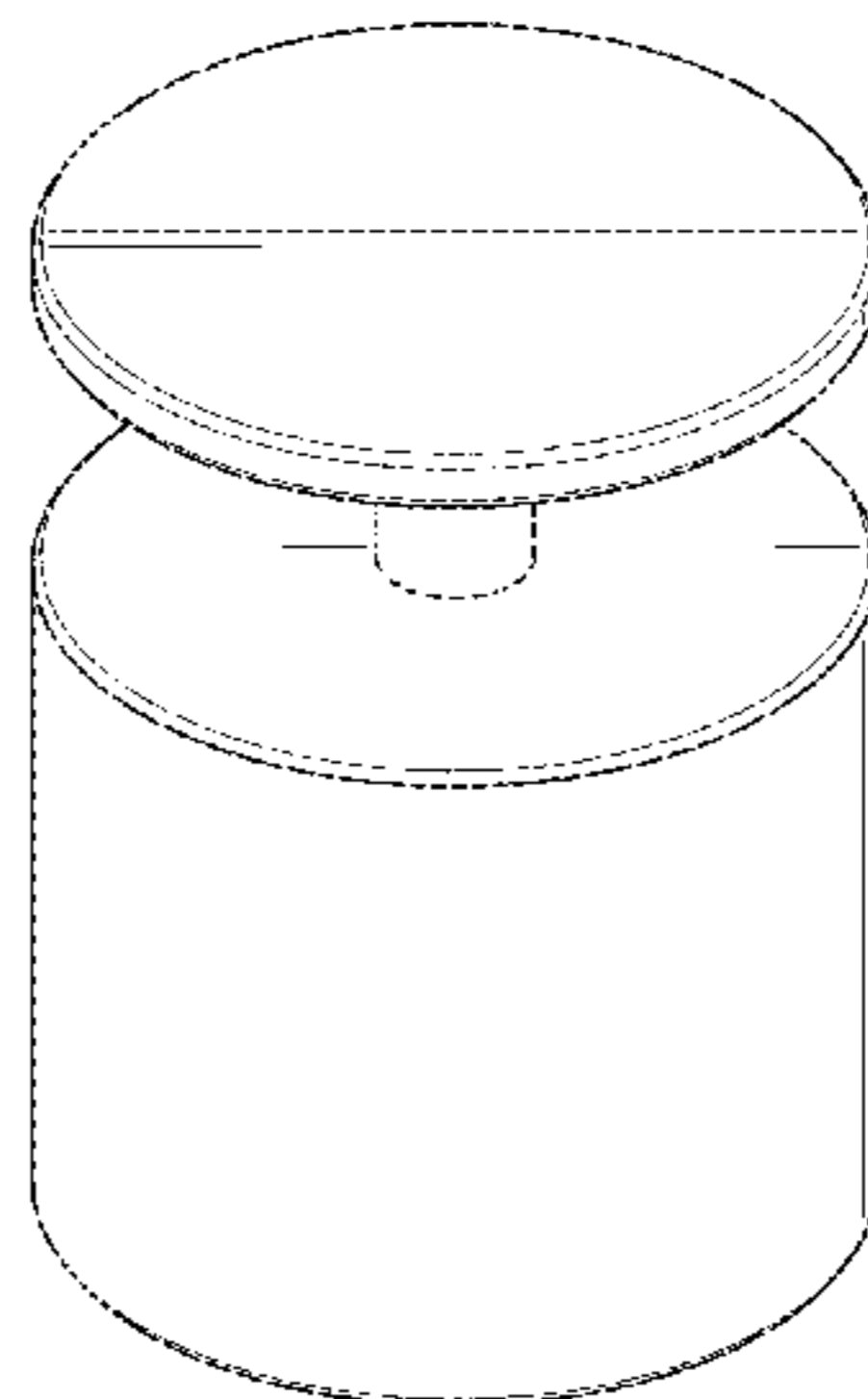
The ornamental design for a stool, as shown and described.

**DESCRIPTION**

FIG. 1 is a top, front, perspective view of a stool showing  
our new design;  
FIG. 2 is a left side elevation view thereof;  
FIG. 3 is a right side elevation view thereof;  
FIG. 4 is a front elevation view thereof;  
FIG. 5 is a rear elevation view thereof;  
FIG. 6 is a top plan view thereof; and,  
FIG. 7 is a bottom plan view thereof.

The dashed broken lines of the figures represent unclaimed  
portions of the stool and form no part of the claimed design.  
The dash-dot broken lines define boundaries of the claimed  
design, and form no part of the claimed design.

**1 Claim, 6 Drawing Sheets**



(56)

References Cited

U.S. PATENT DOCUMENTS

D234,477 S 3/1975 Lockhardt et al.  
 D235,472 S \* 6/1975 Geisler ..... D26/68  
 D237,564 S 11/1975 Layton  
 D275,155 S 8/1984 Carlin  
 D280,580 S 9/1985 Appel et al.  
 D283,856 S 5/1986 Elmaleh  
 D292,250 S 10/1987 Finkelstein  
 4,740,034 A \* 4/1988 Snyder ..... A47C 9/00  
 248/345.1  
 4,929,021 A \* 5/1990 Kaye ..... A47C 7/725  
 108/150  
 D313,896 S \* 1/1991 Kaye ..... D6/360  
 D333,056 S \* 2/1993 Kaye ..... D6/360  
 5,425,313 A 6/1995 Rowan  
 5,893,604 A \* 4/1999 Yao ..... A47C 9/007  
 108/118  
 D442,073 S 5/2001 Lyndon  
 D450,496 S 11/2001 Schwartz et al.  
 6,467,843 B1 \* 10/2002 Rossborough ..... A47C 3/34  
 108/150  
 D523,251 S 6/2006 Parpala  
 D530,109 S 10/2006 Barrett  
 D625,039 S \* 10/2010 Citterio ..... D26/93  
 D653,059 S 1/2012 Birch

D664,779 S 8/2012 Weber et al.  
 D668,464 S \* 10/2012 Du ..... D6/353  
 D683,975 S 6/2013 Starck  
 D686,829 S \* 7/2013 Elmaleh ..... D6/352  
 D708,541 S \* 7/2014 Norendzayan ..... 11/41  
 D720,143 S 12/2014 Barber et al.  
 D721,526 S 1/2015 Bosman  
 D745,287 S \* 12/2015 Chadwick ..... D6/352  
 D746,073 S \* 12/2015 Elmaleh ..... D6/349  
 D748,924 S \* 2/2016 Walser ..... D6/352  
 D764,196 S 8/2016 Handler et al.  
 D764,200 S \* 8/2016 Elmaleh ..... D6/349  
 D779,706 S \* 2/2017 Starck ..... D26/93  
 D780,492 S \* 3/2017 Terada ..... D6/349  
 D780,982 S \* 3/2017 Starck ..... D26/93  
 D790,748 S \* 6/2017 Starck ..... D26/93  
 2010/0117261 A1 \* 5/2010 Bidwell ..... A47C 11/00  
 264/239

OTHER PUBLICATIONS

Modern Adjustable 360 Swivel Counter. [online] Retrieved Aug. 14, 2017 from URL: <https://www.bonanza.com/listings/Modern-Adjustable-360-Swivel-Counter-Waterproof-Table-66Lb-Capacity-Bar-Stools/471307628>.\*

\* cited by examiner

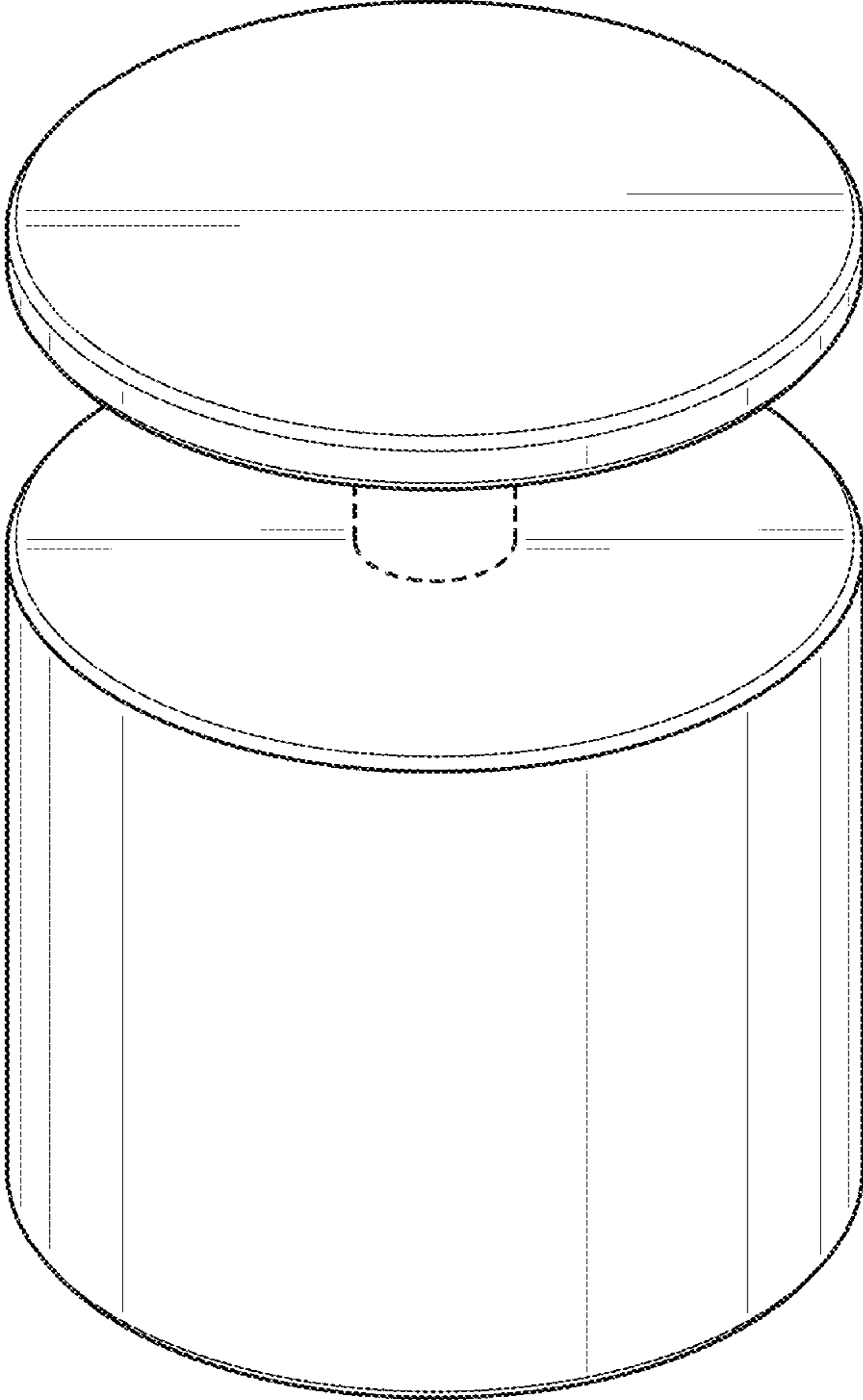


FIG. 1

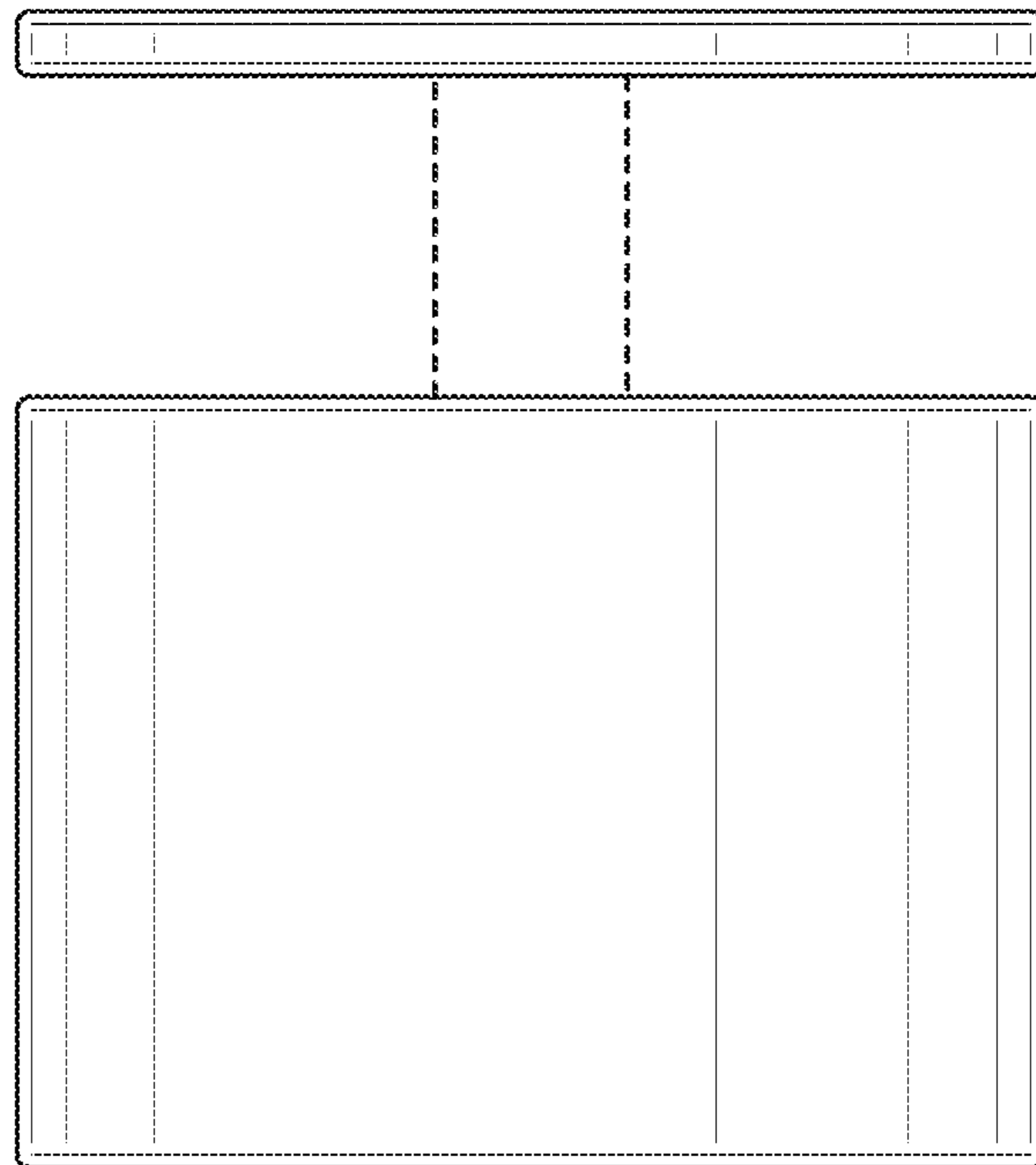


FIG. 2

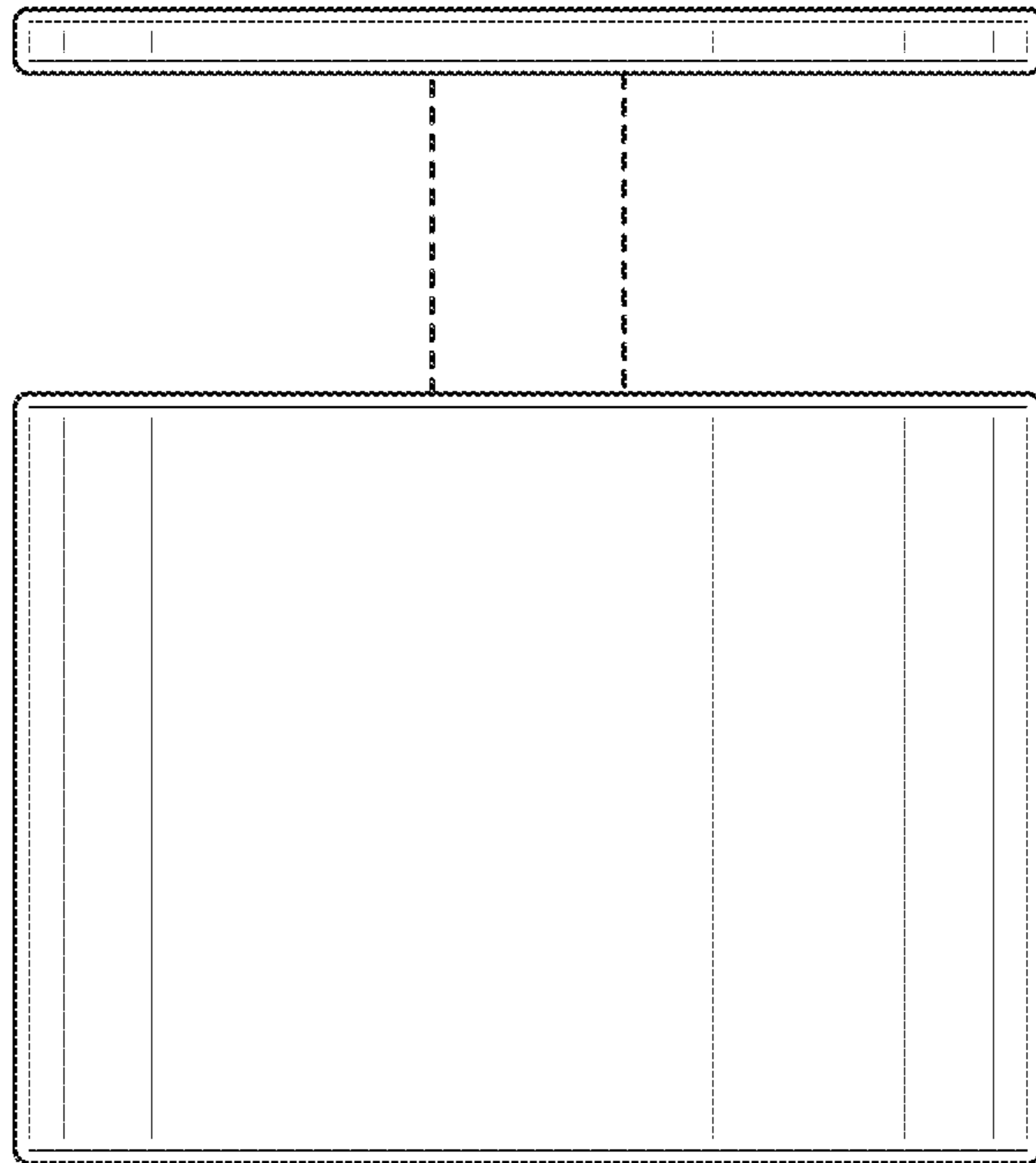


FIG. 3

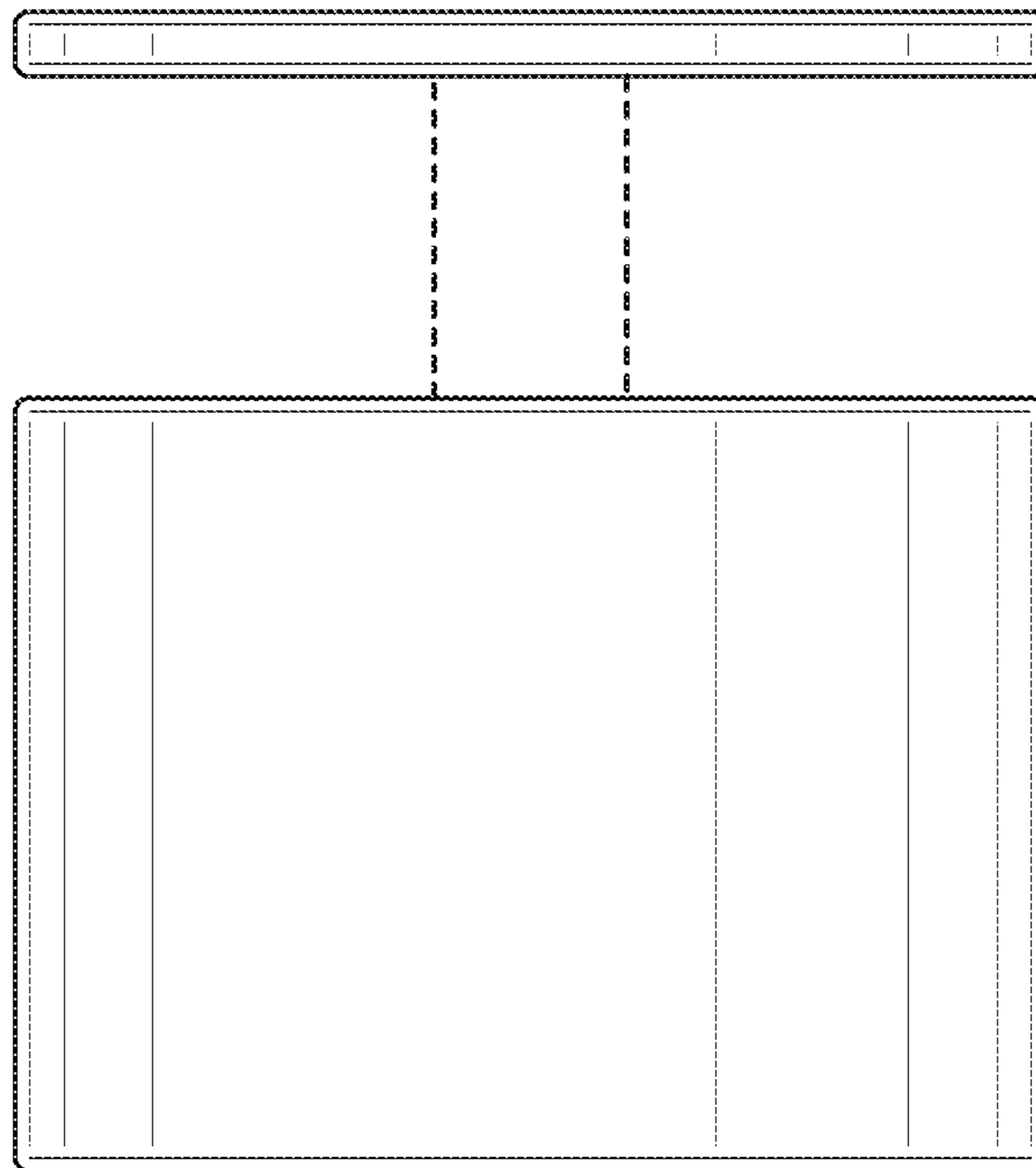


FIG. 4

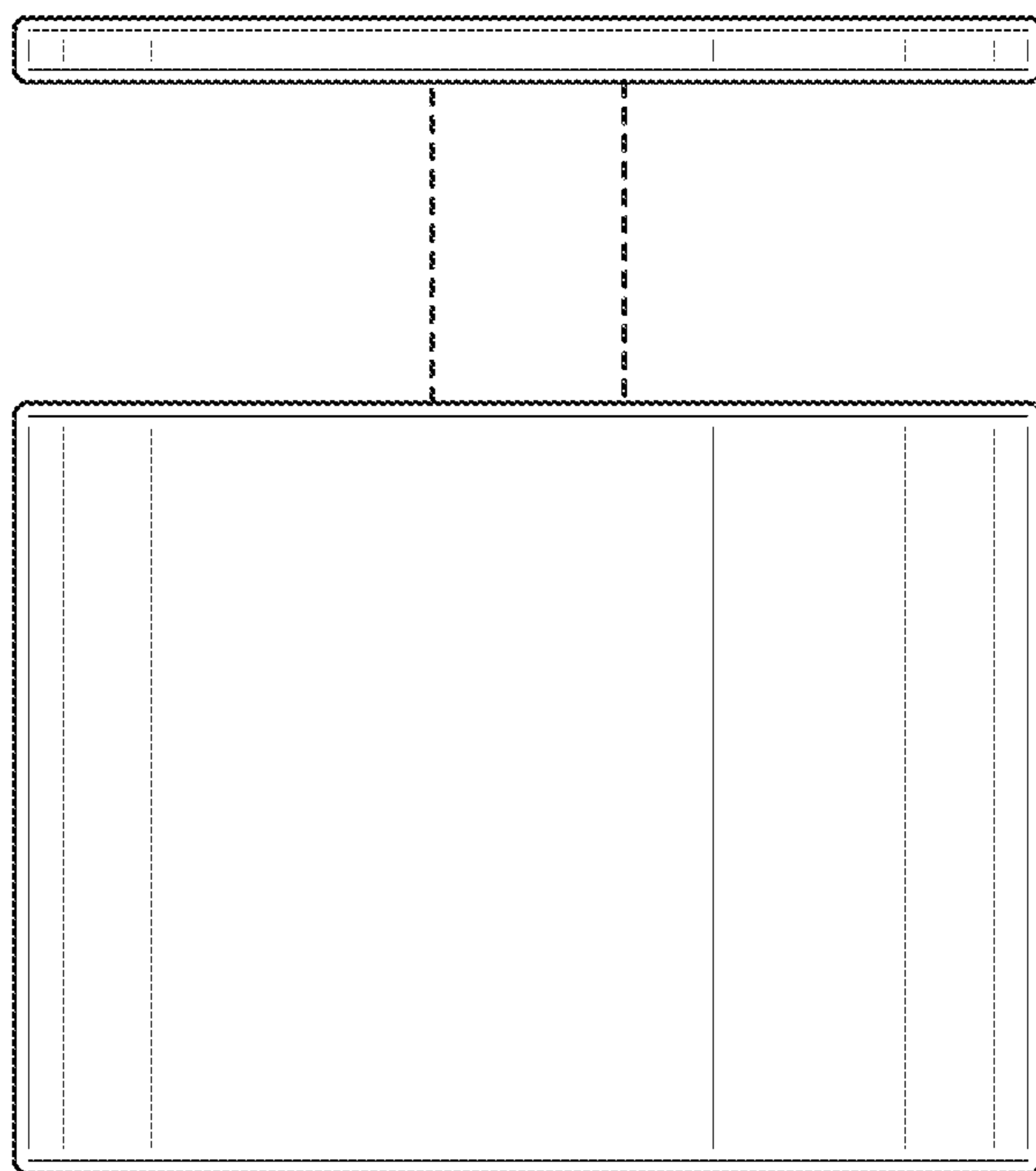


FIG. 5

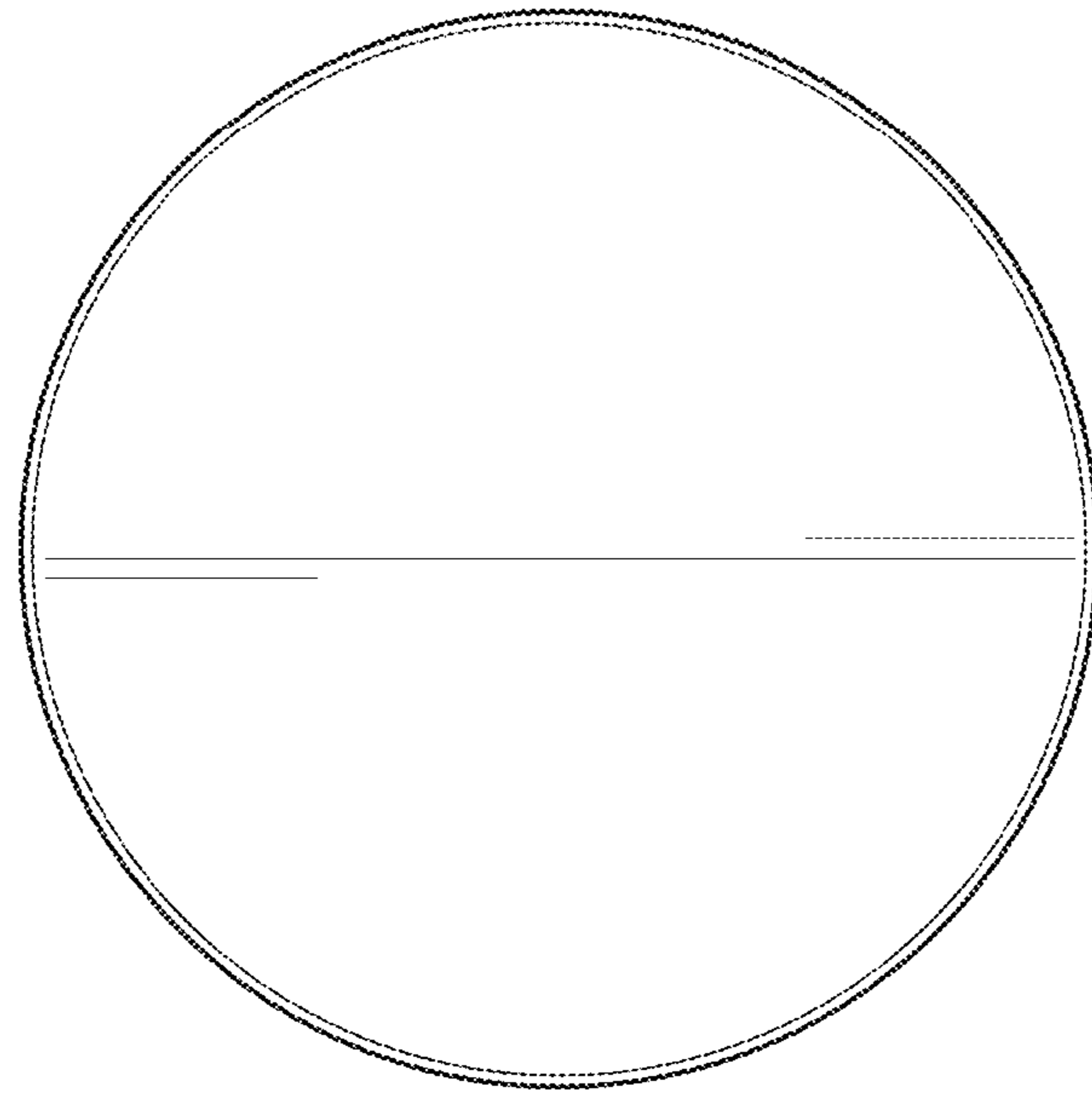


FIG. 6

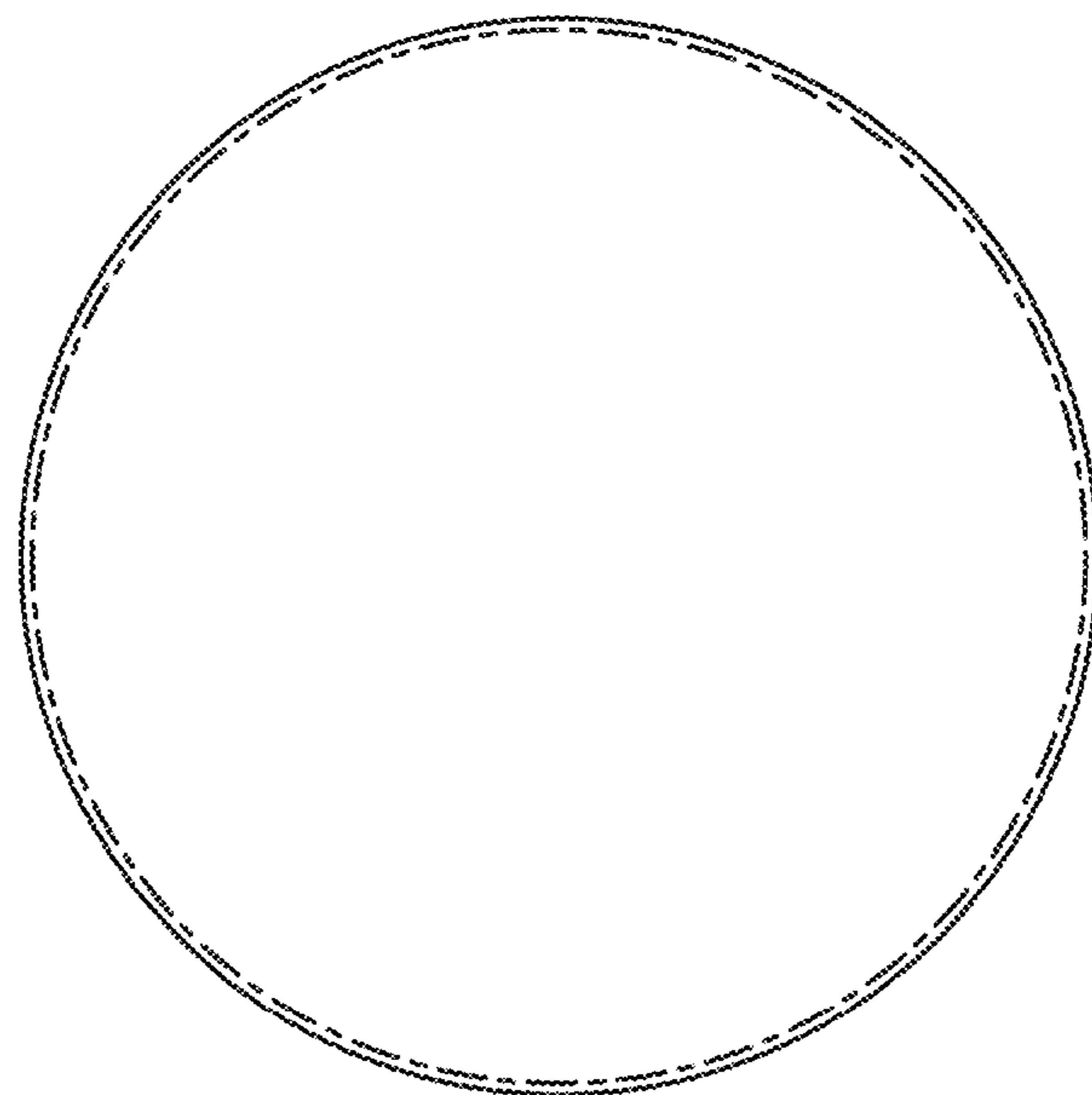


FIG. 7