



US00D829013S

(12) **United States Design Patent**
Velez et al.

(10) **Patent No.:** **US D829,013 S**
(45) **Date of Patent:** **** Sep. 25, 2018**

- (54) **BENCH**
- (71) Applicant: **Holly Hunt Enterprises, Inc.**, Chicago, IL (US)
- (72) Inventors: **Alberto Velez**, Chicago, IL (US); **Holly Hunt**, Chicago, IL (US)
- (73) Assignee: **HOLLY HUNT ENTERPRISES, INC.**
- (**) Term: **15 Years**
- (21) Appl. No.: **29/606,254**
- (22) Filed: **Jun. 2, 2017**
- (51) **LOC (11) Cl.** **06-01**
- (52) **U.S. Cl.**
USPC **D6/349**; D6/371; D6/381
- (58) **Field of Classification Search**
USPC D6/334–338, 340–343, 349–353, 355, D6/358, 360, 364–365, 367, 371–373, D6/381, 596, 597, 601, 604, 691–691.9, D6/692–692.6, 708.2, 708, 716–716.1
CPC A47C 11/00; A47C 12/00; A47C 3/18; A47C 9/002; A47C 16/00; A47C 16/02–16/04; A47K 17/02; A47K 17/028
See application file for complete search history.

(56) **References Cited**

U.S. PATENT DOCUMENTS

D146,378 S *	2/1947	Obrig	D6/349
D191,791 S *	11/1961	Konves	D6/336
D344,857 S *	3/1994	Kinsman	D6/349
D464,219 S *	10/2002	Hecht	D6/709
D465,936 S *	11/2002	Arnold	D6/349
D471,368 S *	3/2003	Arnold	D6/349

D481,211 S *	10/2003	Chipman	D6/349
D614,889 S *	5/2010	Van Duysen	D6/691.5
D704,941 S *	5/2014	Anderson	D6/349
D711,176 S *	8/2014	Skalka	D6/717
D713,190 S *	9/2014	Behar	D6/370
D724,366 S *	3/2015	Gerard	D6/709
D728,251 S *	5/2015	Domingo	D6/353

OTHER PUBLICATIONS

Holly hunt aries bench 3D model TurboSquid 1191095. [online] Retrieved Apr. 5, 2018 from URL: <https://www.turbosquid.com/3d-models/holly-hunt-aries-bench-3d-model-1191095>.*

Alaterre Furniture Modesto Reclaimed Wood Entryway Bench. [online] Retrieved Apr. 5, 2018 from URL: <https://www.houzz.com/product/57232808-portunus-reclaimed-wood-2-piece-hook-and-bench-set-rustic-accent-and-storage-benches>.*

* cited by examiner

Primary Examiner — Vy N Koenig

(74) *Attorney, Agent, or Firm* — The Belles Group, P.C.

(57) **CLAIM**

The ornamental design for a bench, as shown and described.

DESCRIPTION

FIG. 1 is a top perspective view of a bench in accordance with the present design;

FIG. 2 is a front view of the bench illustrated in FIG. 1;

FIG. 3 is a rear view of the bench illustrated in FIG. 1;

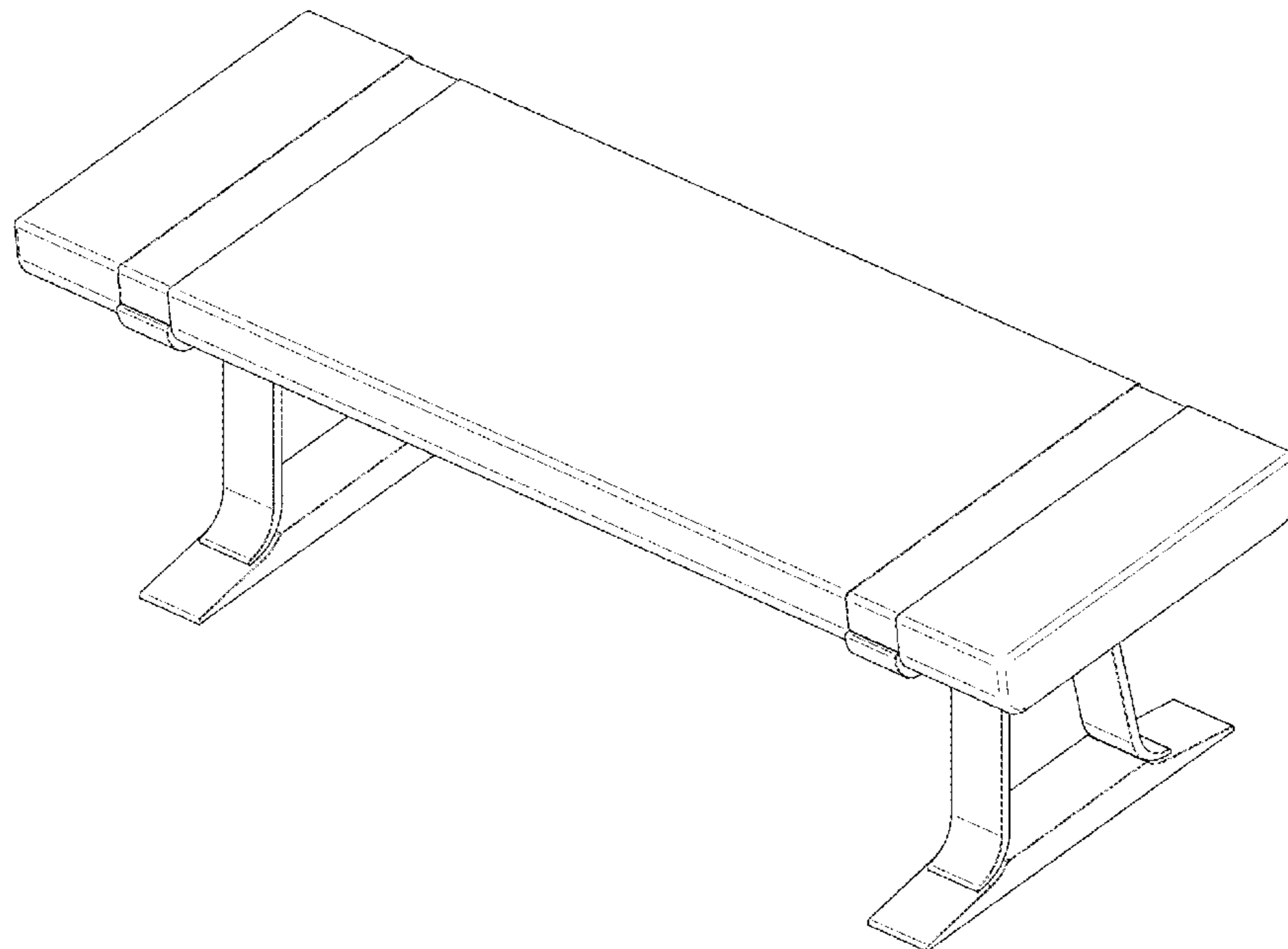
FIG. 4 is a left side view of the bench illustrated in FIG. 1;

FIG. 5 is a right side view of the bench illustrated in FIG. 1;

FIG. 6 is a top plan view of the bench illustrated in FIG. 1; and,

FIG. 7 is a bottom plan view of the bench illustrated in FIG. 1.

1 Claim, 5 Drawing Sheets



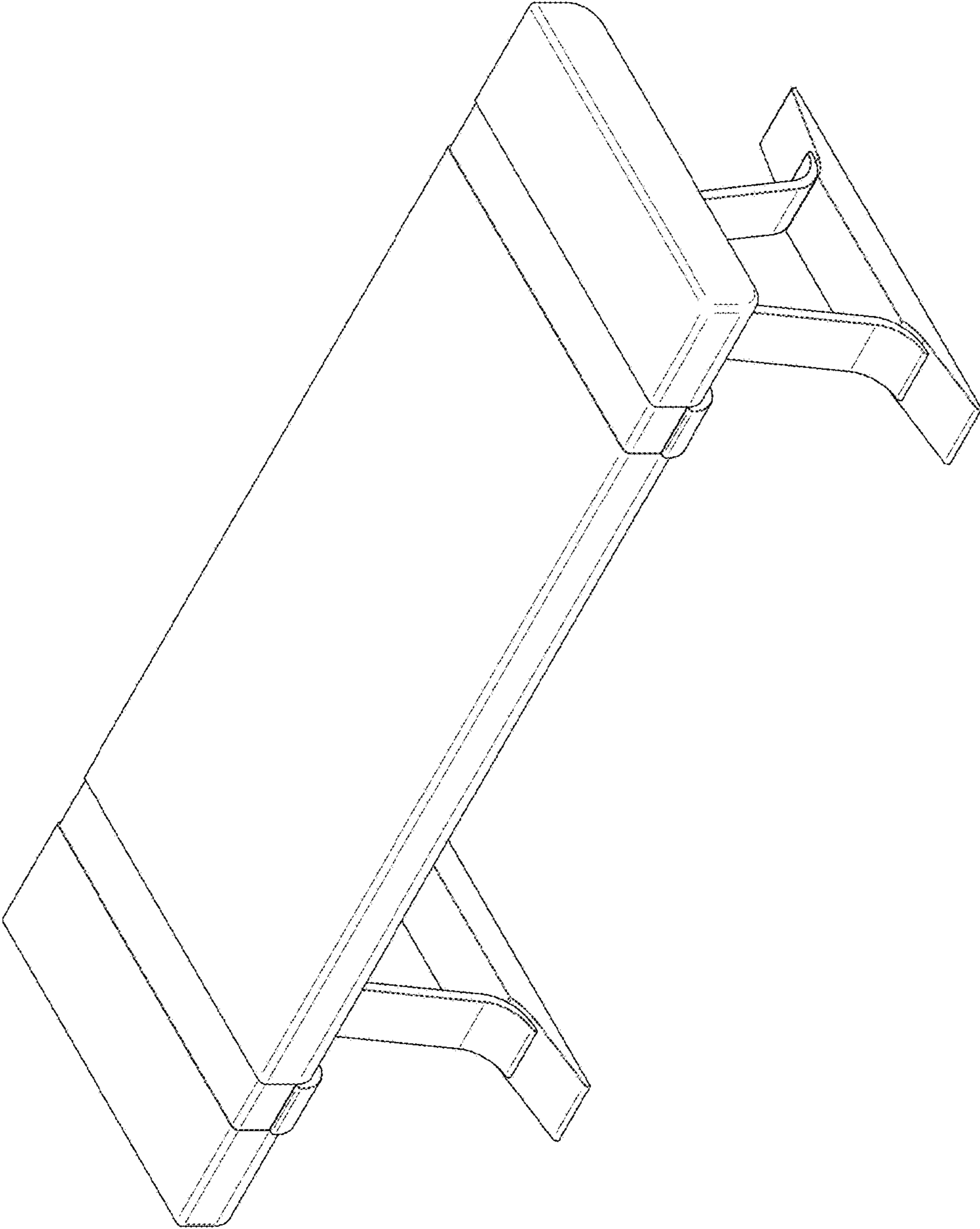


FIG. 1

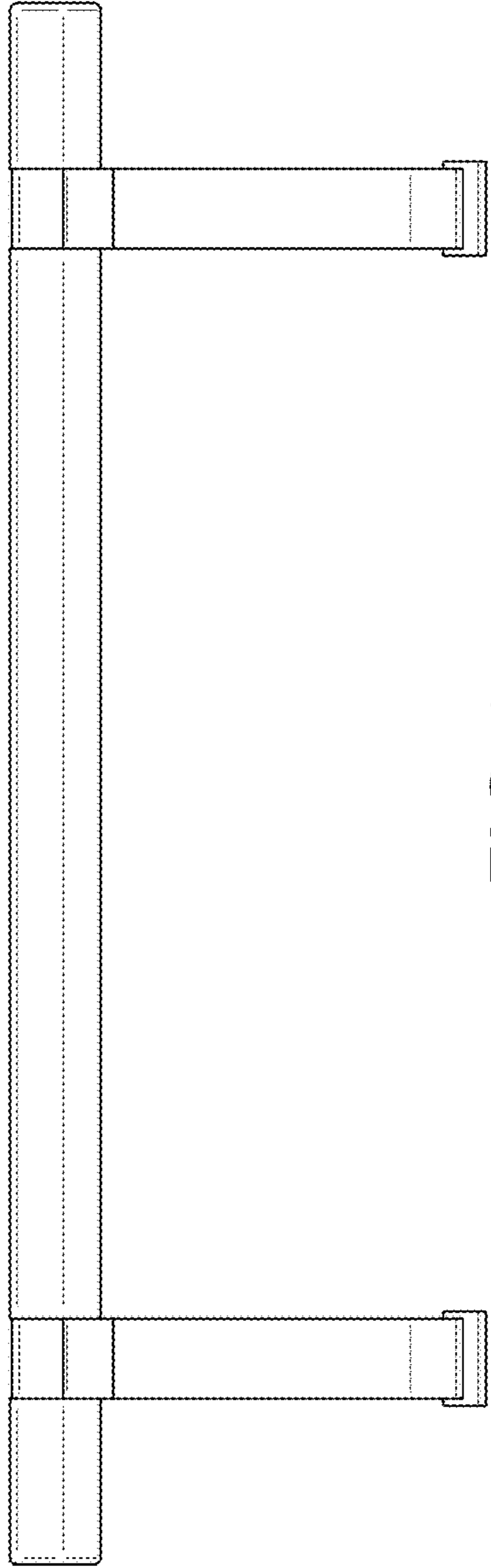


FIG. 2

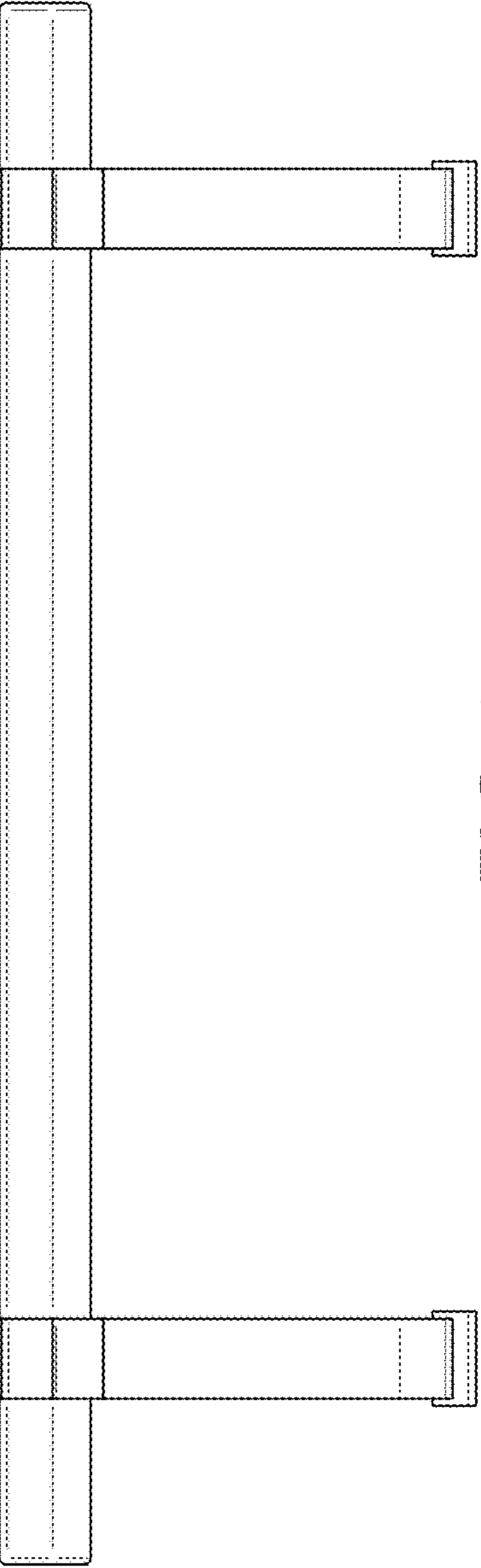


FIG. 3

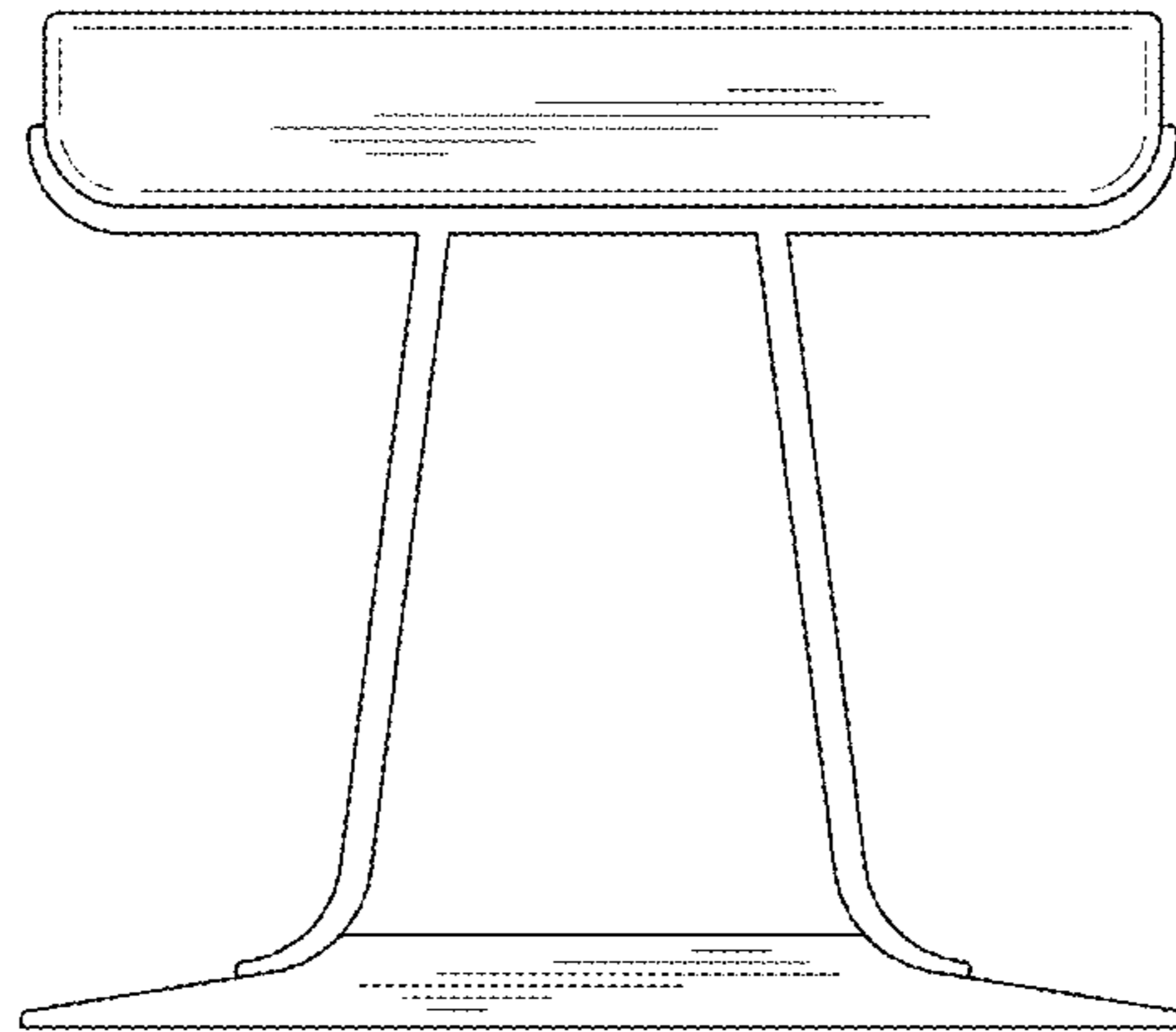


FIG. 4

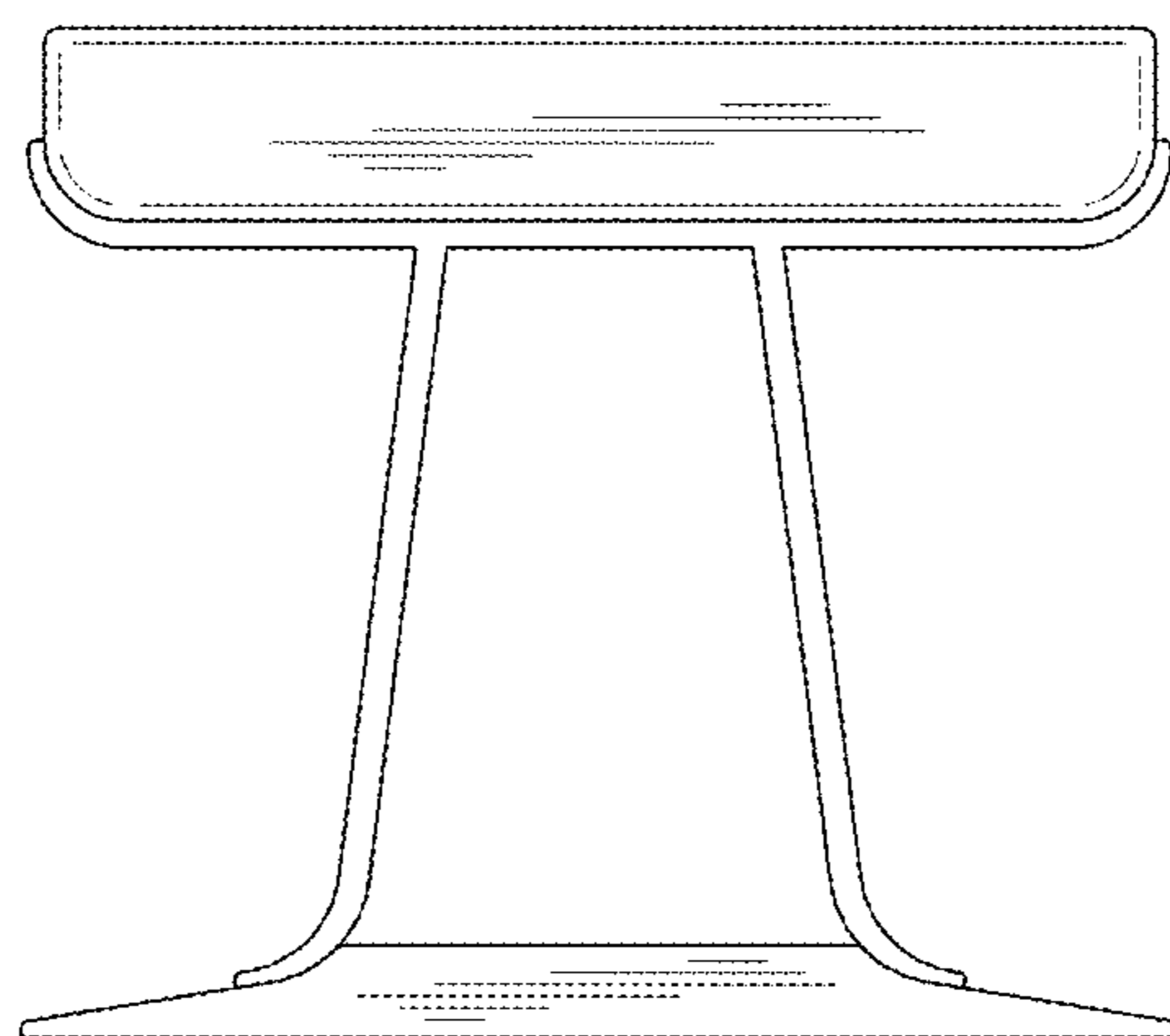


FIG. 5

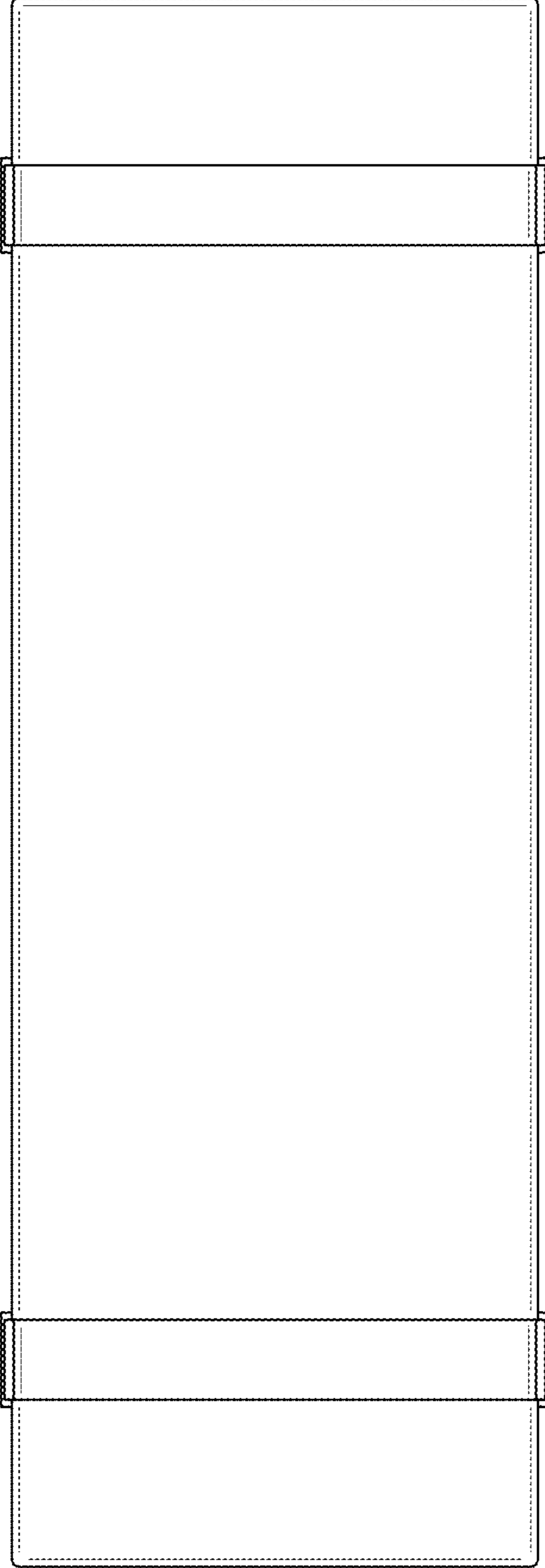


FIG. 6

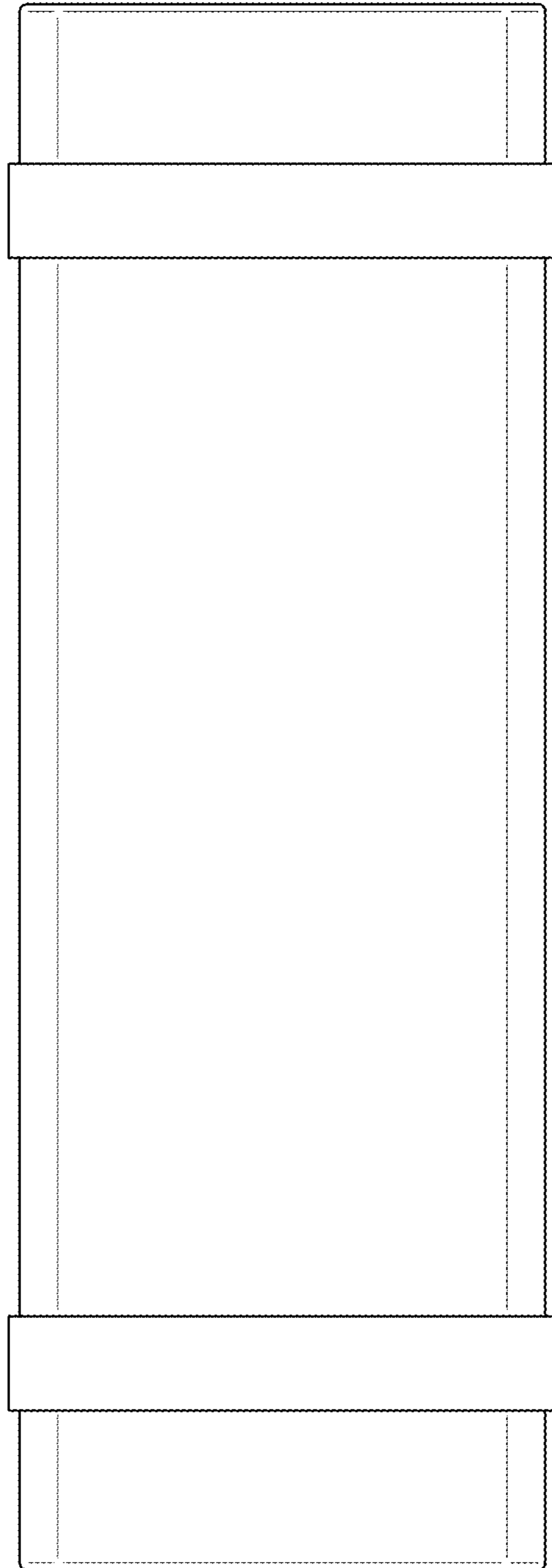


FIG. 7