



US00D829011S

(12) **United States Design Patent**
Patrick

(10) **Patent No.:** **US D829,011 S**

(45) **Date of Patent:** **** Sep. 25, 2018**

(54) **PORCH SWING**

(71) Applicant: **Andrew M. Patrick**, Pawleys Island, SC (US)

(72) Inventor: **Andrew M. Patrick**, Pawleys Island, SC (US)

(73) Assignee: **Pawleys Island Boat Swing Company, LLC**, Pawleys Island, SC (US)

(**) Term: **15 Years**

(21) Appl. No.: **29/603,841**

(22) Filed: **May 12, 2017**

(51) **LOC (11) Cl.** **06-01**

(52) **U.S. Cl.**
USPC **D6/345**

(58) **Field of Classification Search**
USPC D6/344, 345, 346, 347, 348, 349, 715, D6/716, 718.1, 718.11, 716.1, 385, 386, D6/358, 388, 369, 381; D12/300
CPC ... A63G 9/00; A63G 9/02; A63G 9/04; A63G 9/14; A47C 3/0255; A47C 5/02
See application file for complete search history.

(56) **References Cited**

U.S. PATENT DOCUMENTS

D229,238 S * 11/1973 Milne D12/300
D238,566 S * 1/1976 Palmer D12/300

D244,840 S * 6/1977 Stokes D12/300
D266,447 S * 10/1982 Ament D21/833
D286,590 S * 11/1986 Smith D6/345
D287,076 S * 12/1986 Hart D6/345
D287,077 S * 12/1986 Hart D6/345
D316,845 S * 5/1991 Slanker D12/300
D335,697 S * 5/1993 Cleary D21/833
D338,284 S * 8/1993 Barreto, III D12/302
D428,727 S * 8/2000 Stevens D6/385
D684,790 S * 6/2013 Boatright D6/388
D791,677 S * 7/2017 Wylam D12/300

* cited by examiner

Primary Examiner — Deanna L Pratt

(74) *Attorney, Agent, or Firm* — Douglas Kim Law Firm, LLC; Douglas W. Kim

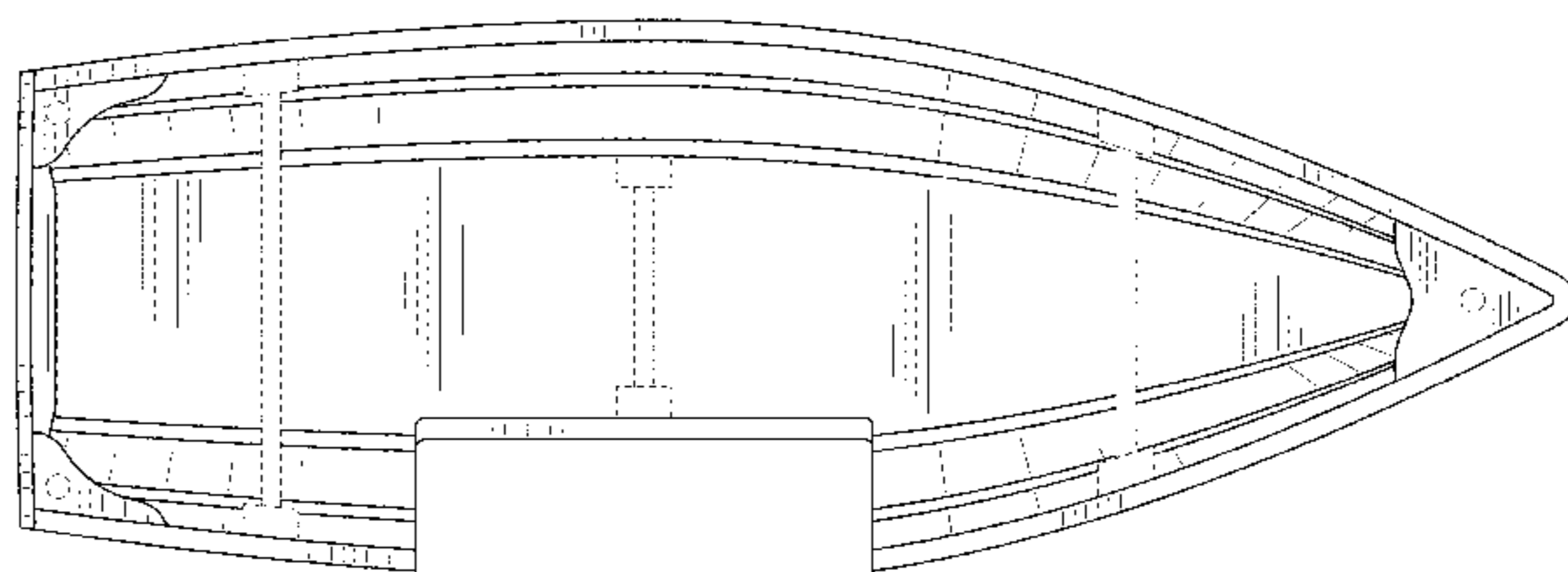
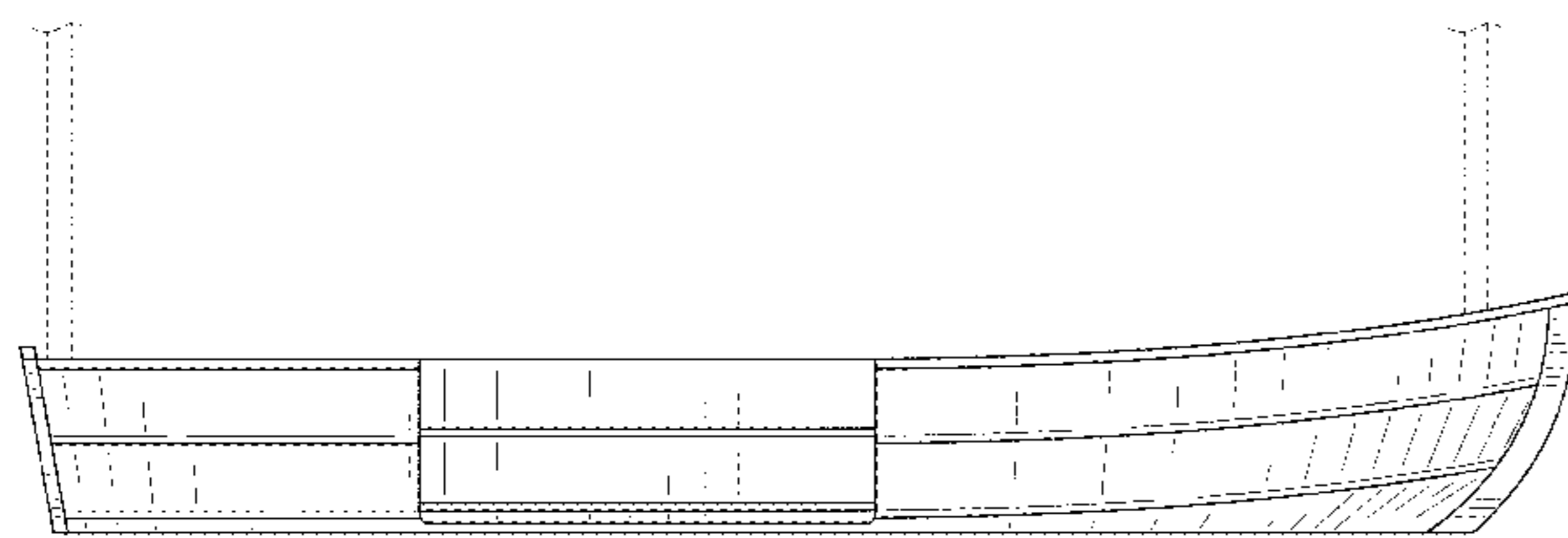
(57) **CLAIM**

The ornamental design for a porch swing, as shown and described.

DESCRIPTION

FIG. 1 is a right side view of the porch swing;
FIG. 2 is a left side view of the porch swing;
FIG. 3 is a top view of the porch swing;
FIG. 4 is a rear view of the porch swing;
FIG. 5 is a front side view of the porch swing; and,
FIG. 6 is a bottom view of the porch swing.
The broken lines show the environment and form no part of the claimed design.

1 Claim, 5 Drawing Sheets



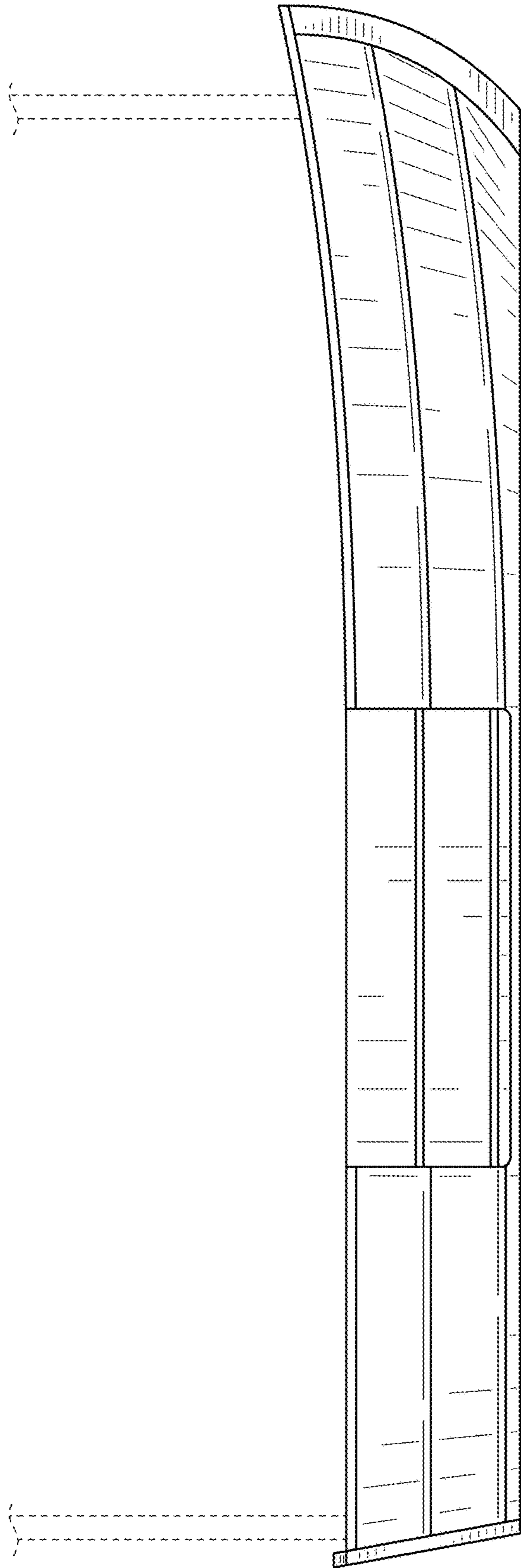


FIG. 1

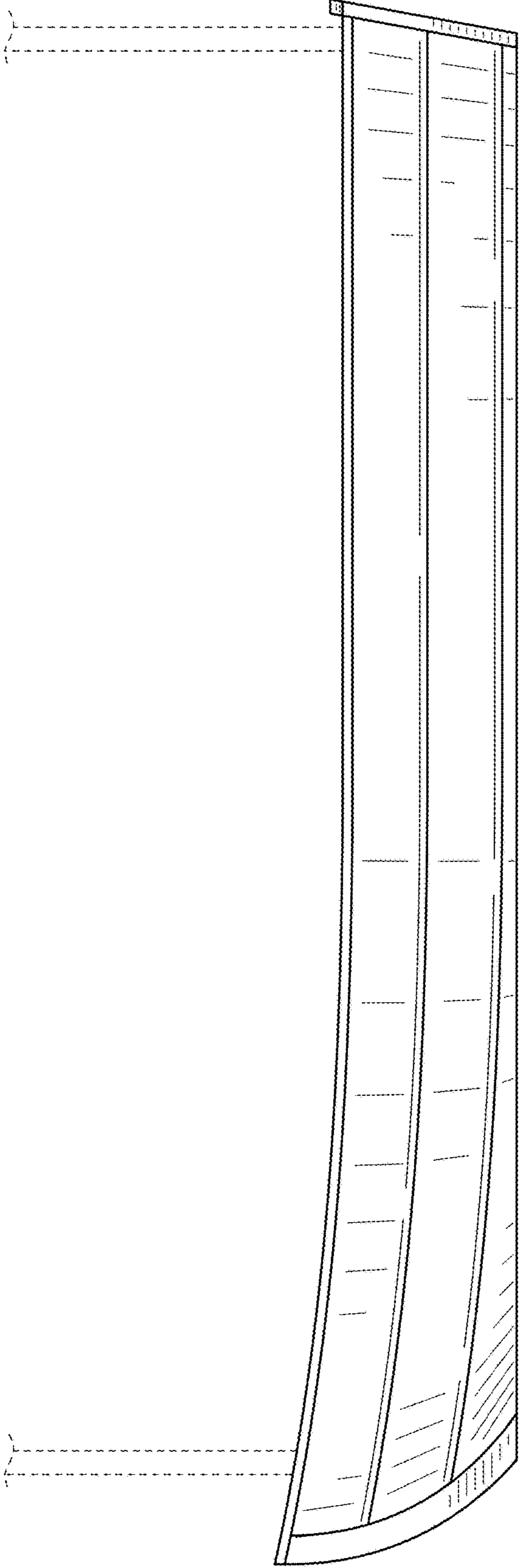


FIG. 2

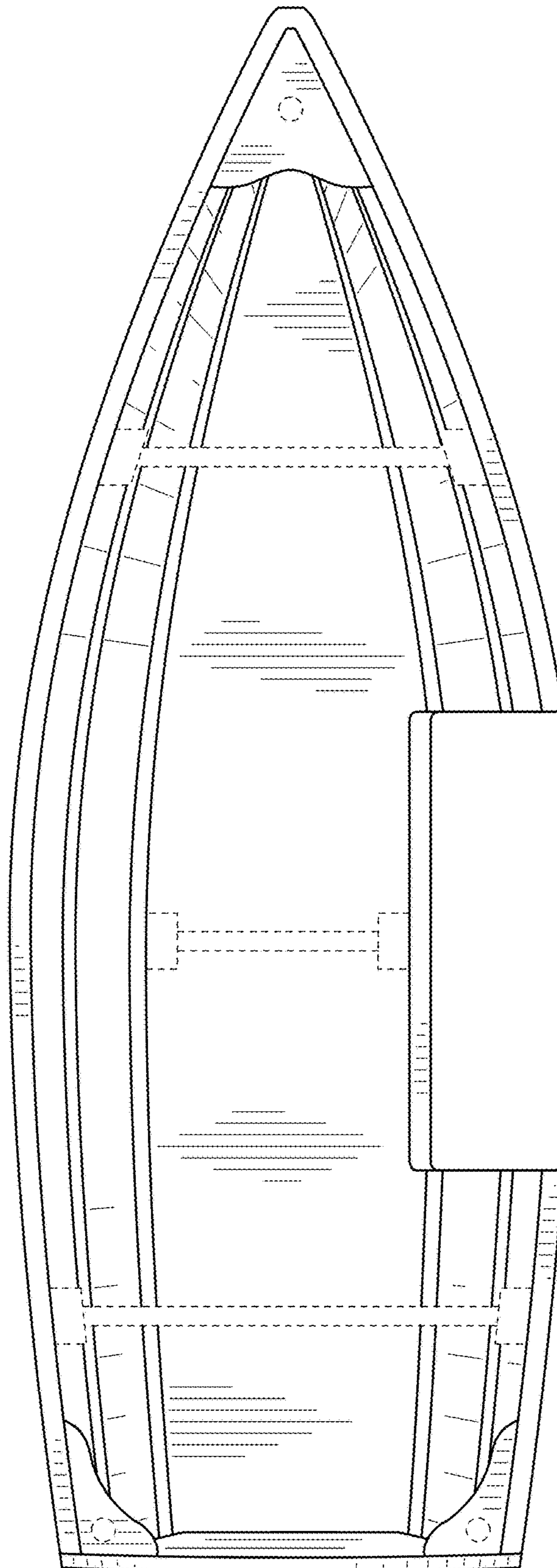


FIG. 3

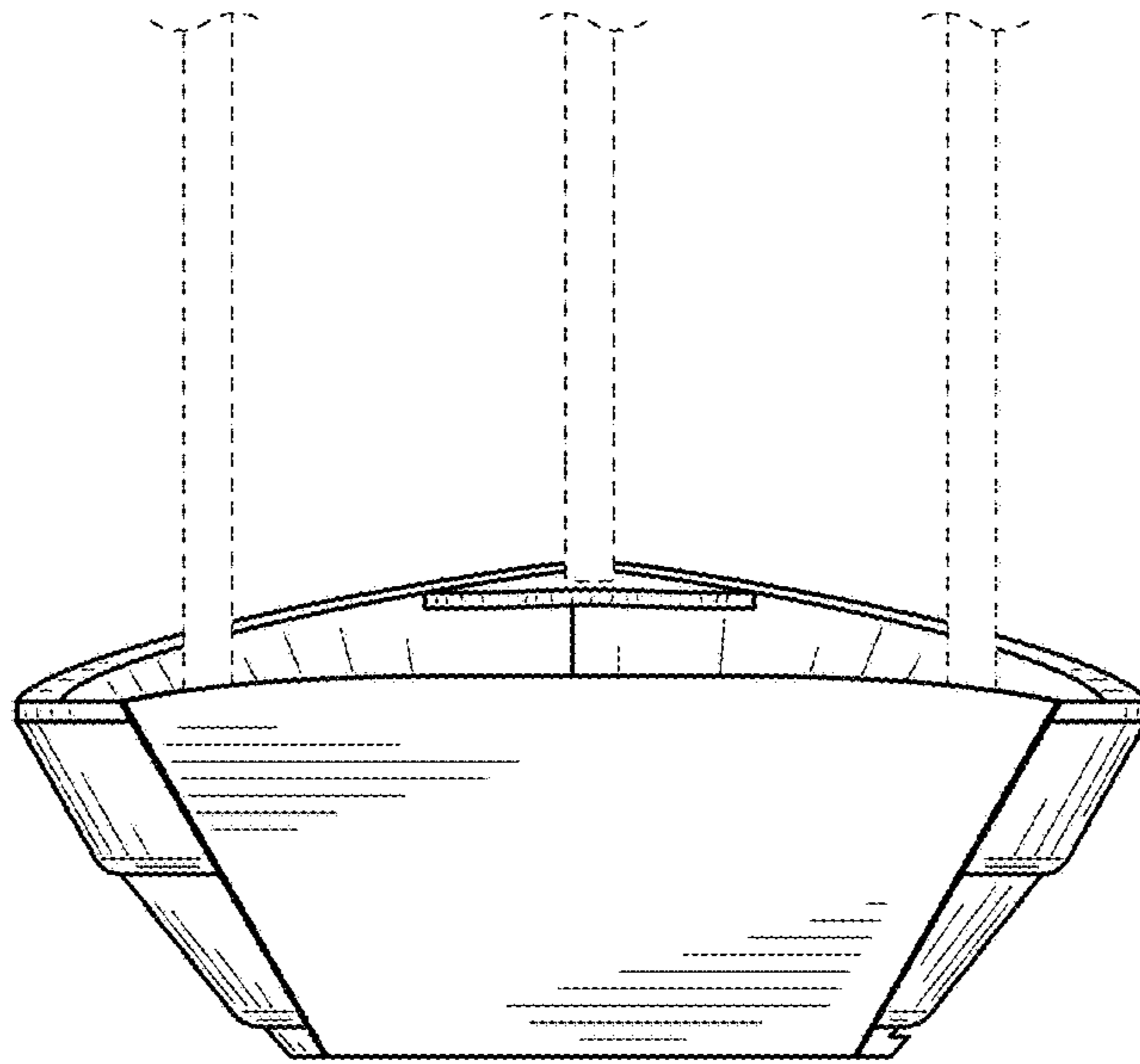


FIG. 4

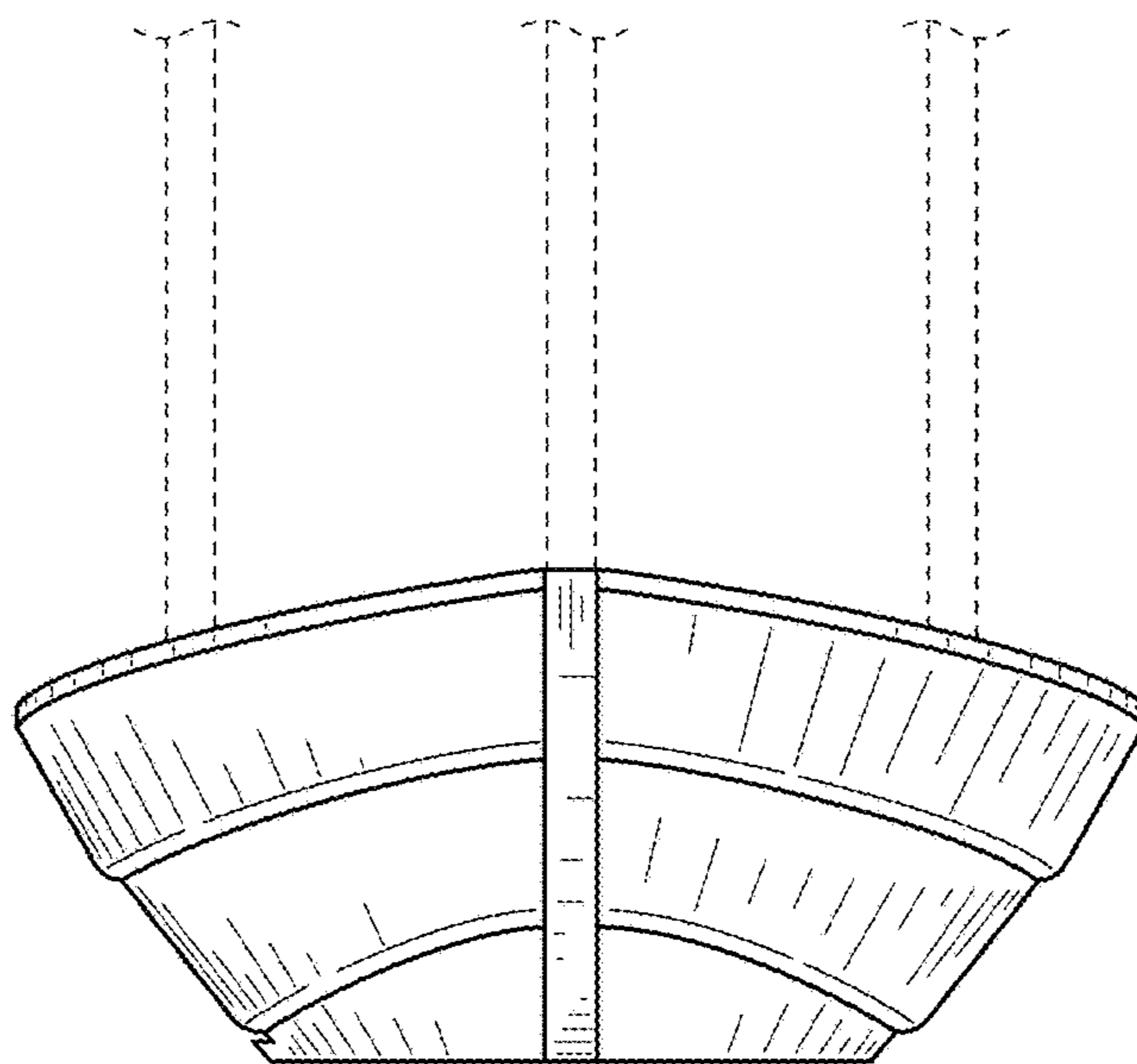


FIG. 5

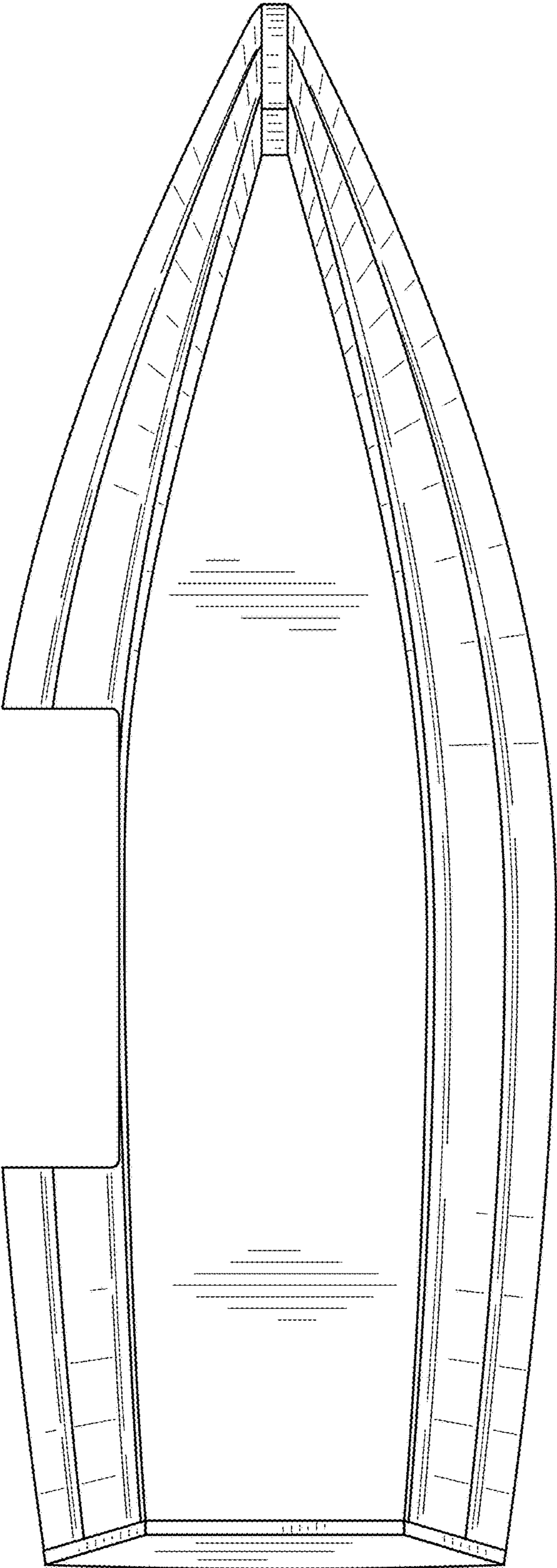


FIG. 6