



US00D829010S

(12) **United States Design Patent** (10) **Patent No.:** **US D829,010 S**
Meoli, Jr. et al. (45) **Date of Patent:** **** Sep. 25, 2018**

- (54) **COLLAPSIBLE SALON CHAIR**
- (71) Applicants: **Rudy B. Meoli, Jr.**, Chino, CA (US);
Marco Zambianco, Hemet, CA (US)
- (72) Inventors: **Rudy B. Meoli, Jr.**, Chino, CA (US);
Marco Zambianco, Hemet, CA (US)
- (**) Term: **15 Years**
- (21) Appl. No.: **29/600,896**
- (22) Filed: **Apr. 17, 2017**
- (51) **LOC (11) Cl.** **06-01**
- (52) **U.S. Cl.**
USPC **D6/336; D6/368**
- (58) **Field of Classification Search**
USPC D6/334-381, 716, 716.1-716.8
CPC A47C 7/00; A47C 7/62; A47C 7/18; A47C
7/54; A47C 4/00; A47C 4/028; A47C
4/28; A47C 3/16; A47C 3/04; A47C 3/12;
A47C 1/02; A47C 1/14
See application file for complete search history.

D710,121 S	8/2014	Citterio	
9,332,849 B2	5/2016	Wagner	
D796,217 S *	9/2017	Meoli	D6/336
D796,856 S *	9/2017	Meoli	D6/336
9,775,438 B1 *	10/2017	Schulenberg	A47C 4/283
9,795,217 B2 *	10/2017	Grace	A47C 4/283
2004/0046428 A1 *	3/2004	Hwang	A47C 4/286 297/188.2
2014/0015287 A1	1/2014	Zhu	
2015/0054314 A1	2/2015	Grace	

* cited by examiner

Primary Examiner — Deanna L Pratt
(74) *Attorney, Agent, or Firm* — QuickPatents, LLC;
Kevin Prince

(57) **CLAIM**

We claim the ornamental design for a collapsible salon chair, as shown and described.

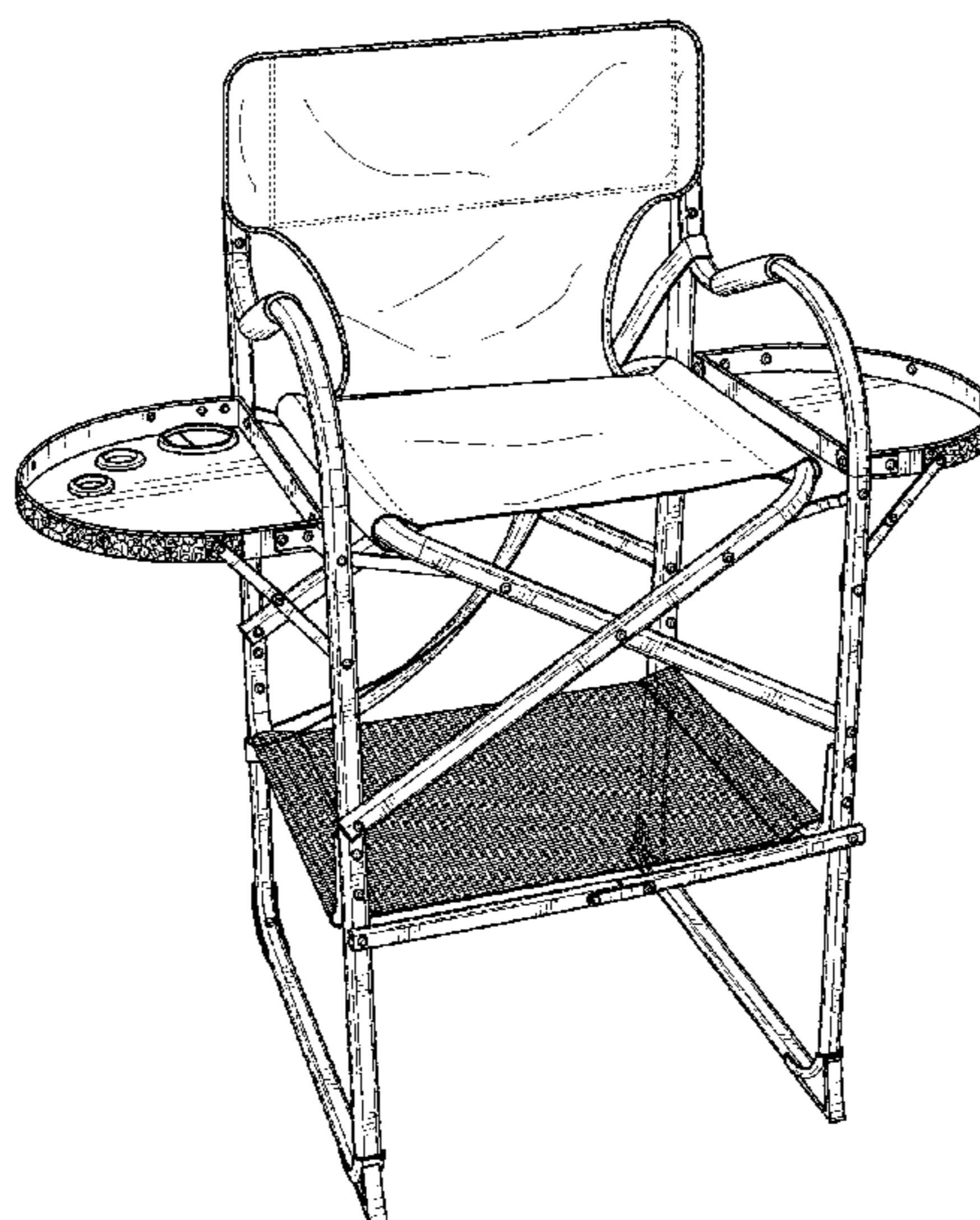
DESCRIPTION

FIG. 1 is a perspective view of a collapsible salon chair, showing our new design in a deployed configuration; FIG. 2 is a front elevational view of FIG. 1; FIG. 3 is a rear elevational view of FIG. 1; FIG. 4 is a left-side elevational view of FIG. 1; FIG. 5 is a right-side elevational view of FIG. 1; FIG. 6 is a top plan view of FIG. 1; FIG. 7 is a bottom plan view of FIG. 1; FIG. 8 is a perspective view thereof, illustrated in a collapsed configuration; FIG. 9 is a front elevational view of FIG. 8; FIG. 10 is a rear elevational view of FIG. 8; FIG. 11 is a left-side elevational view of FIG. 8; FIG. 12 is a right-side elevational view of FIG. 8; FIG. 13 is a top plan view of FIG. 8; and, FIG. 14 is a bottom plan view of FIG. 8. The broken lines in the figures represent stitching, and are part of the claimed design.

1 Claim, 11 Drawing Sheets

(56) **References Cited**
U.S. PATENT DOCUMENTS

2,096,237 A	10/1937	Frey
4,065,173 A	12/1977	Gittings
4,105,244 A	8/1978	Colby
D261,577 S	11/1981	Heritage
D261,578 S	11/1981	Heritage
D261,579 S	11/1981	Heritage
D265,444 S	7/1982	Nii
D277,813 S	3/1985	Grady
4,566,731 A	1/1986	Merchesini
5,873,624 A	2/1999	Simpson
D456,628 S	5/2002	Satoshi
D522,263 S	6/2006	Hart
D536,886 S	2/2007	Hart
D593,759 S	6/2009	Oliphant
D631,673 S	2/2011	Schulenberg
D683,155 S	5/2013	Chen
D691,821 S	10/2013	Mercieca



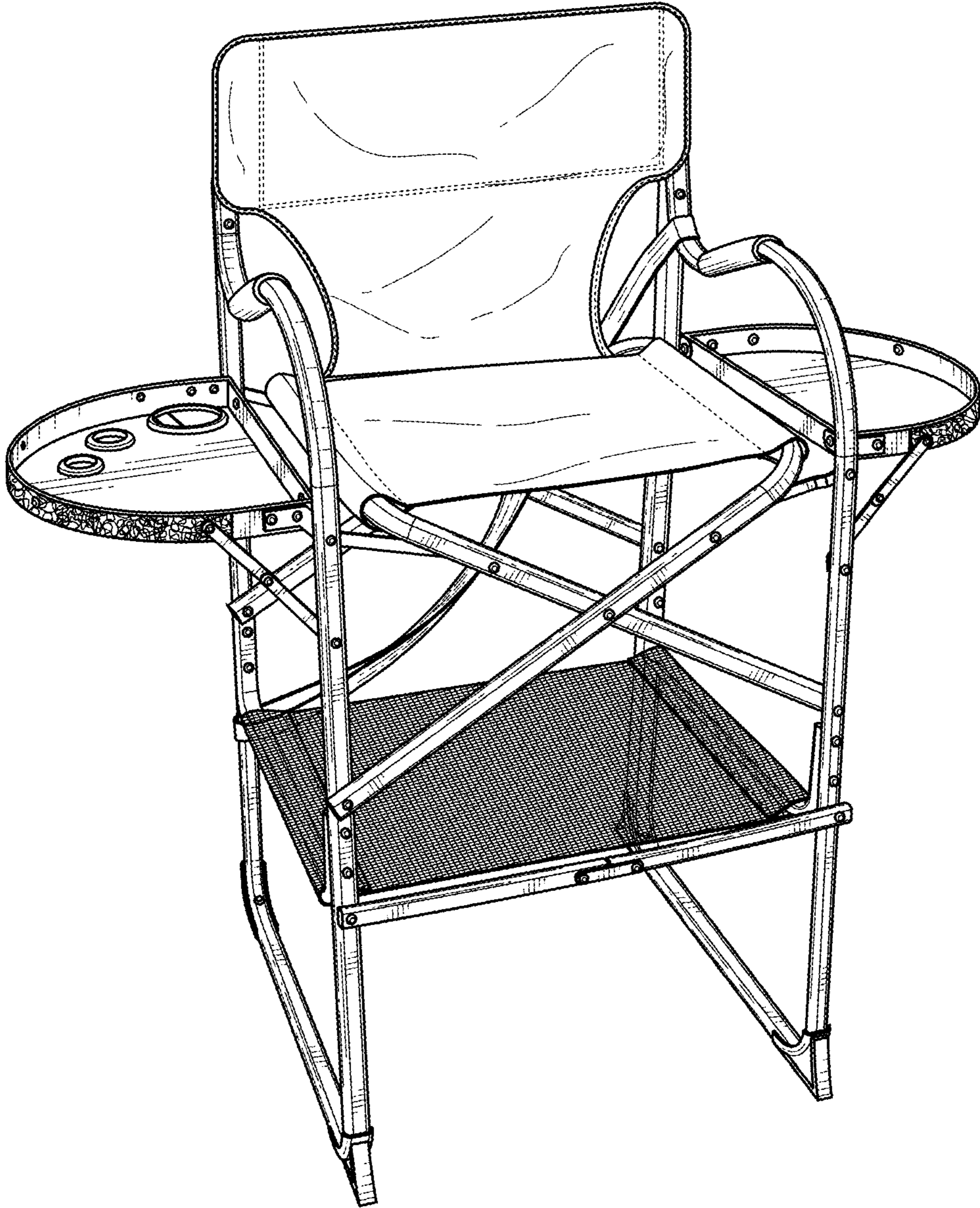


FIG. 1

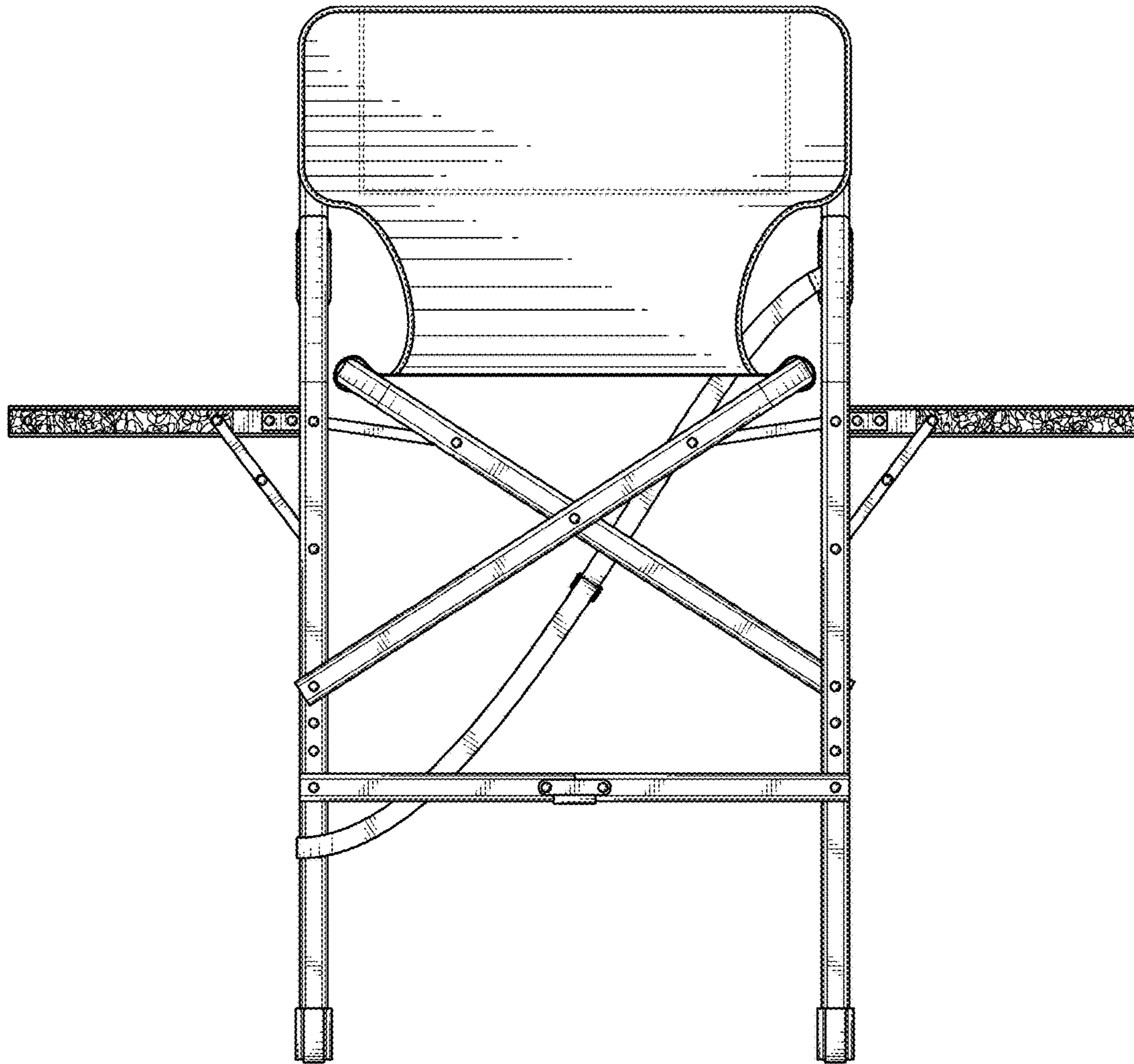


FIG. 2

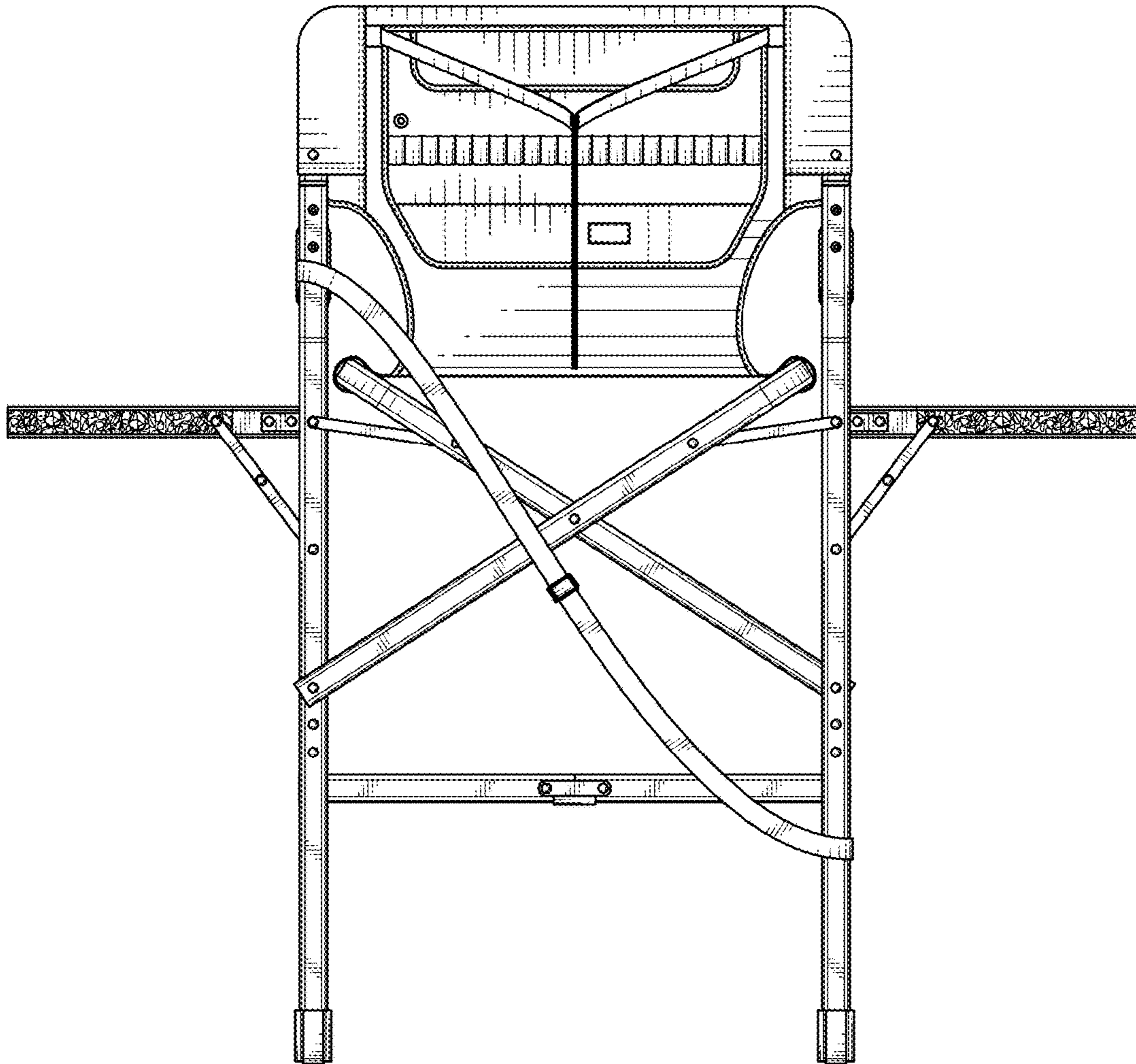


FIG. 3

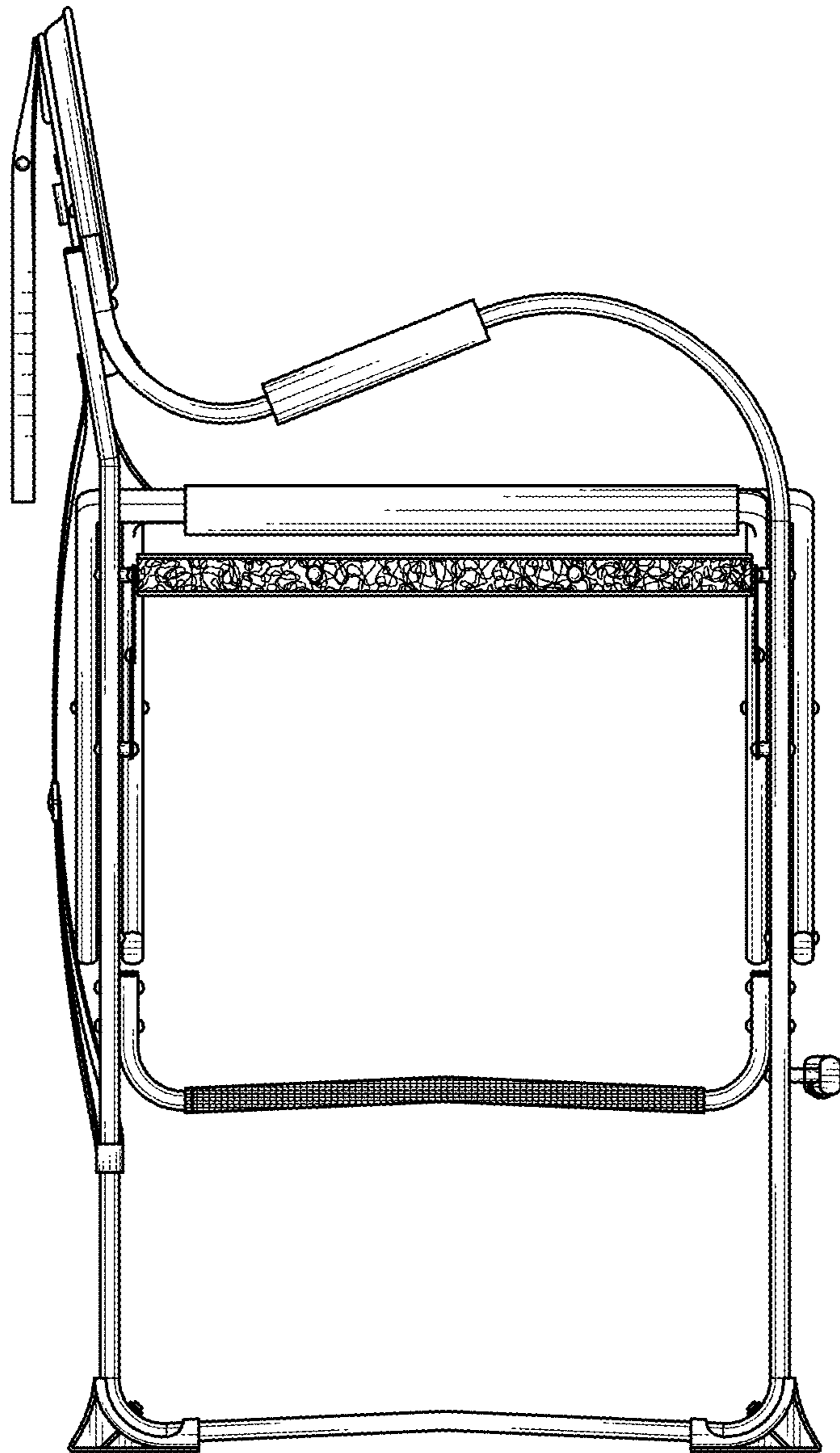


FIG. 4

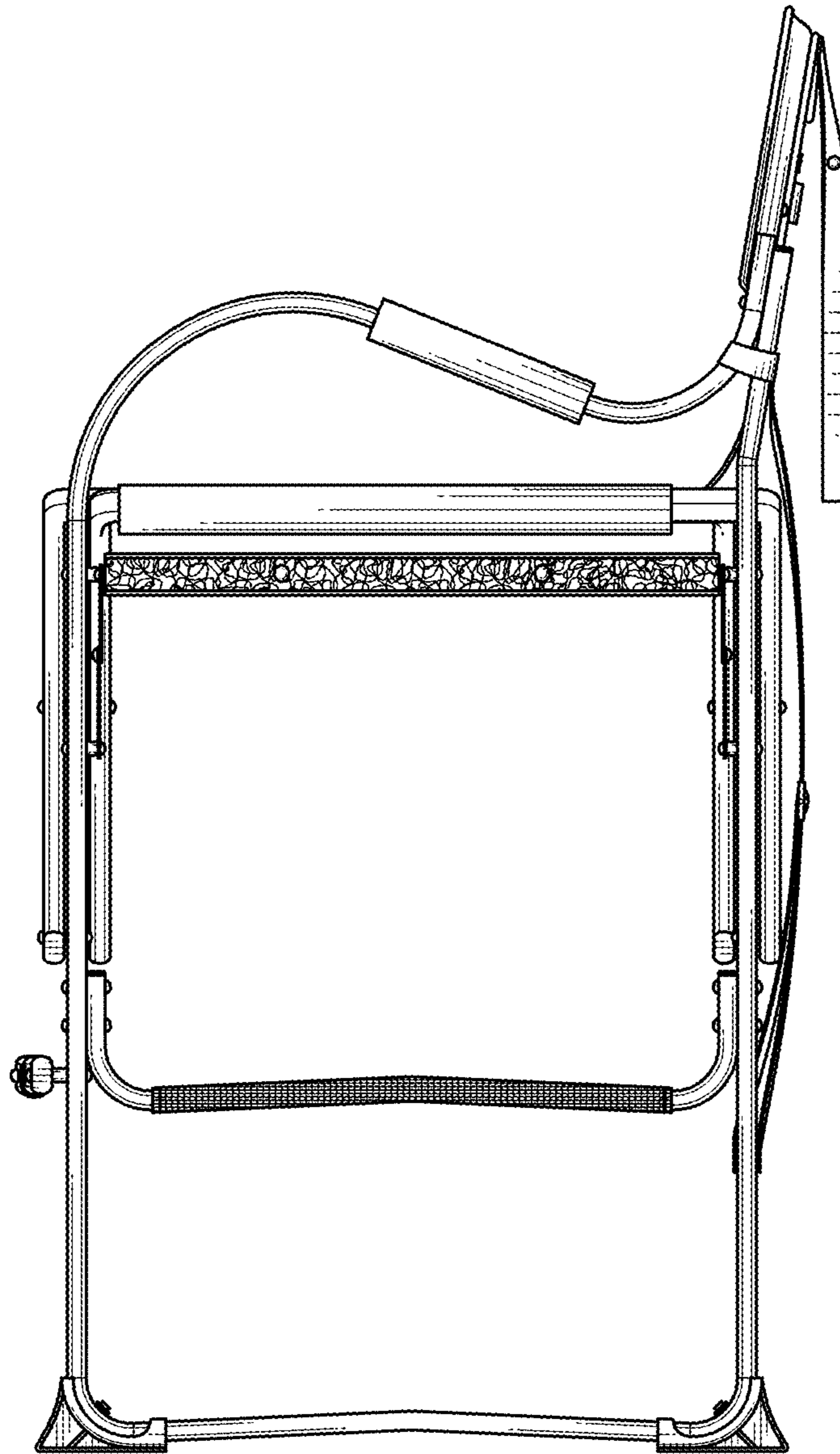


FIG. 5

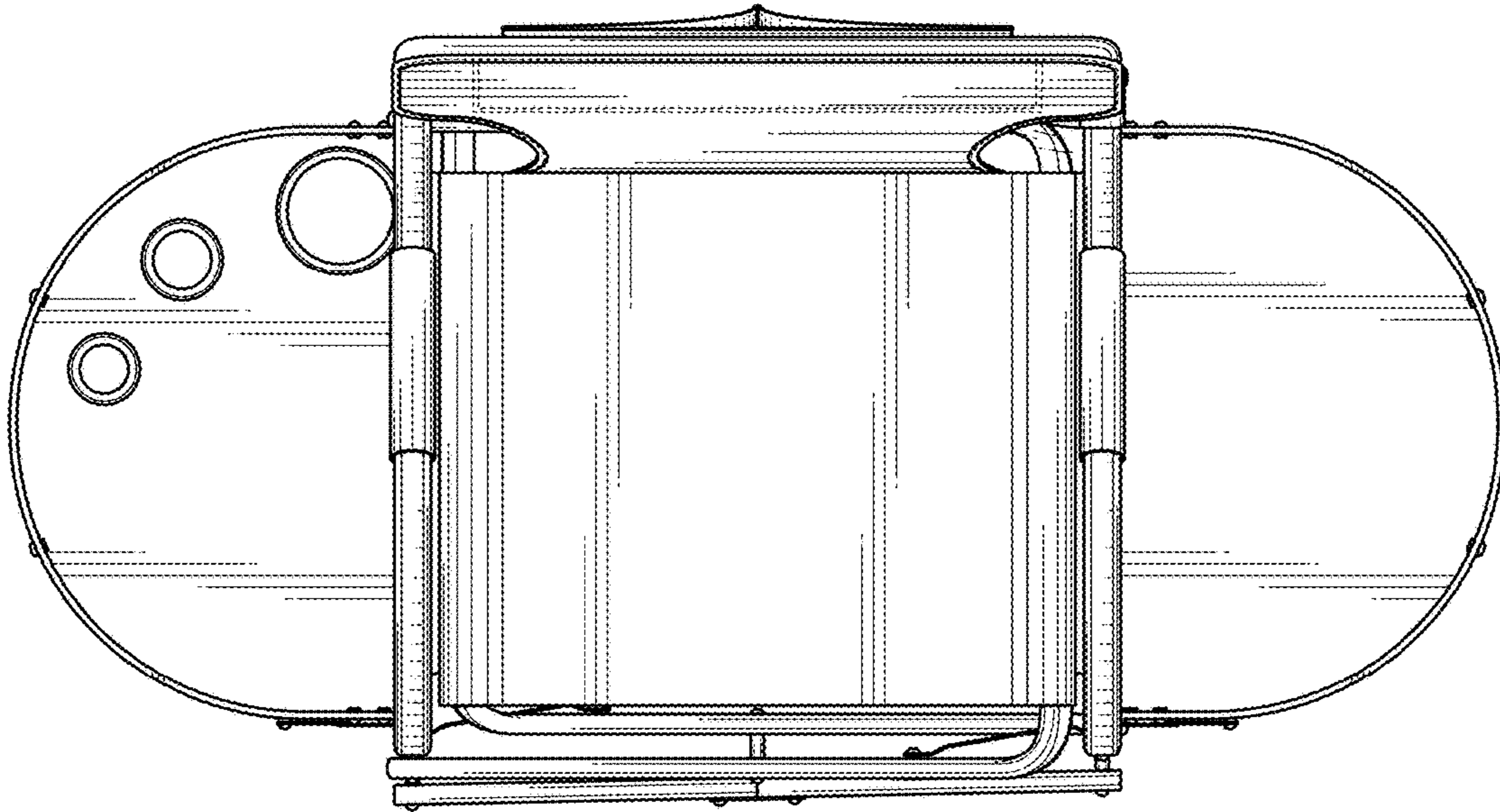


FIG. 6

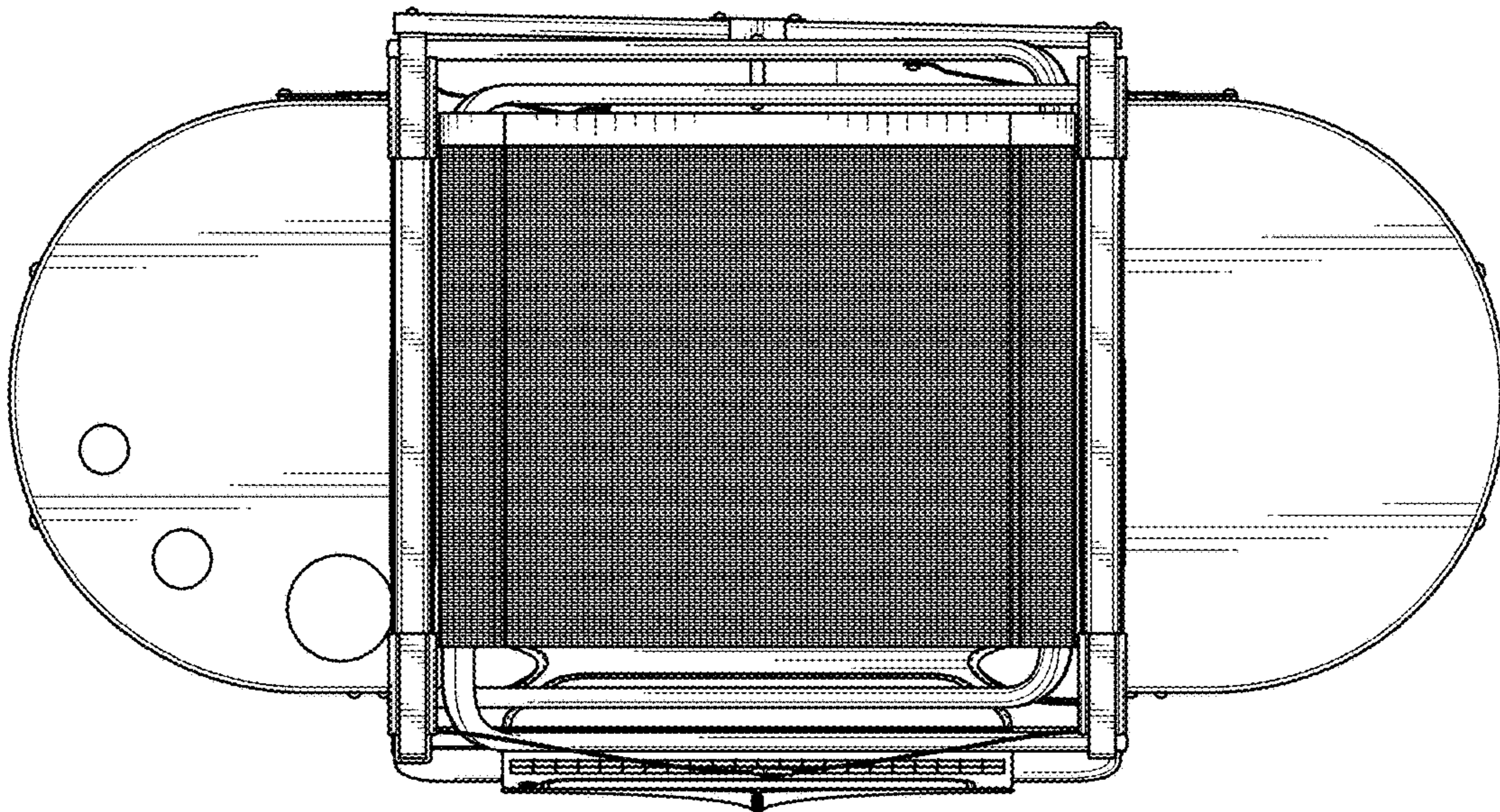


FIG. 7

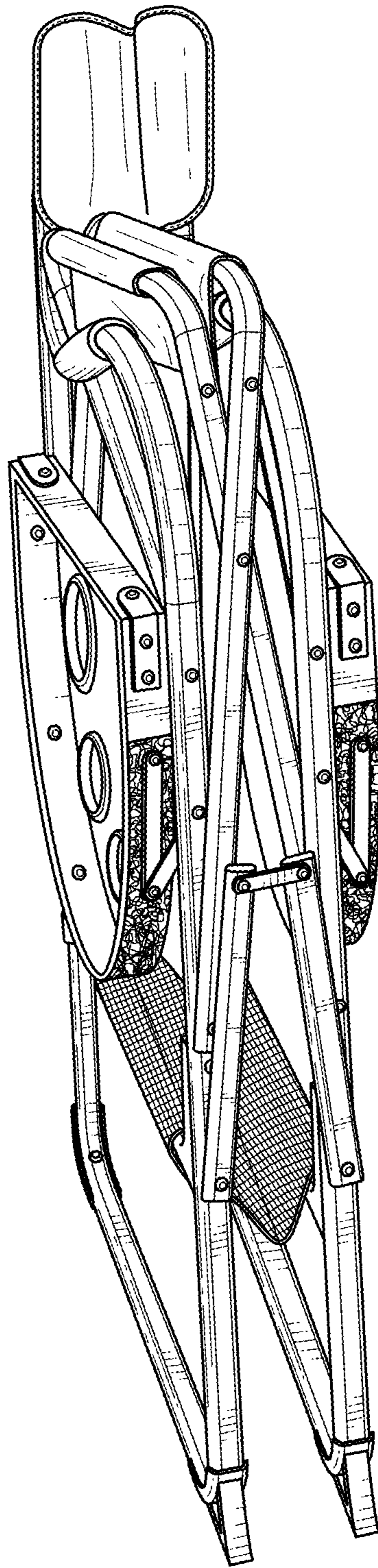


FIG. 8

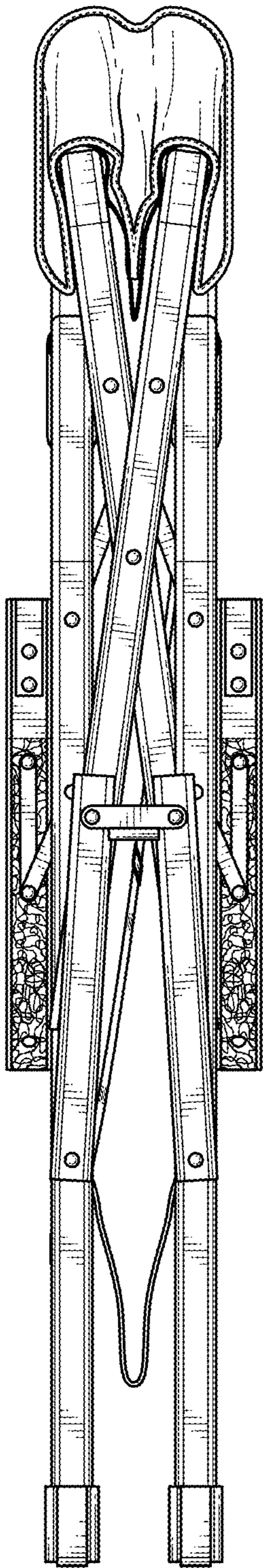


FIG. 9

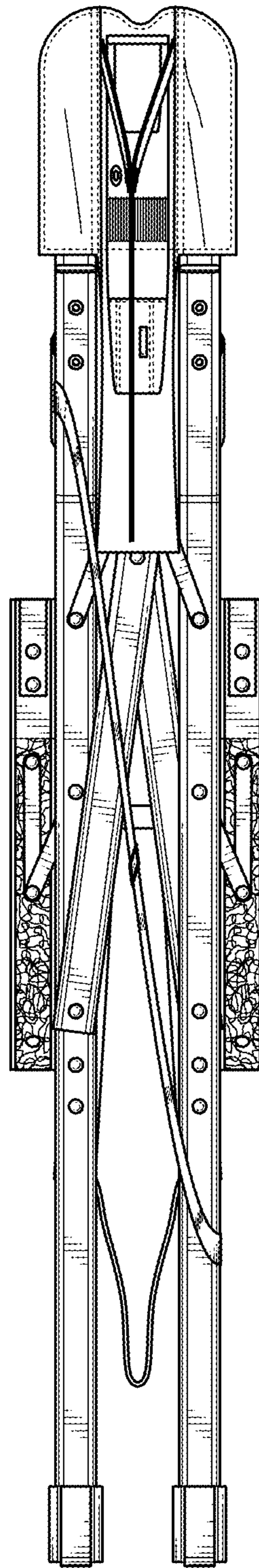


FIG. 10

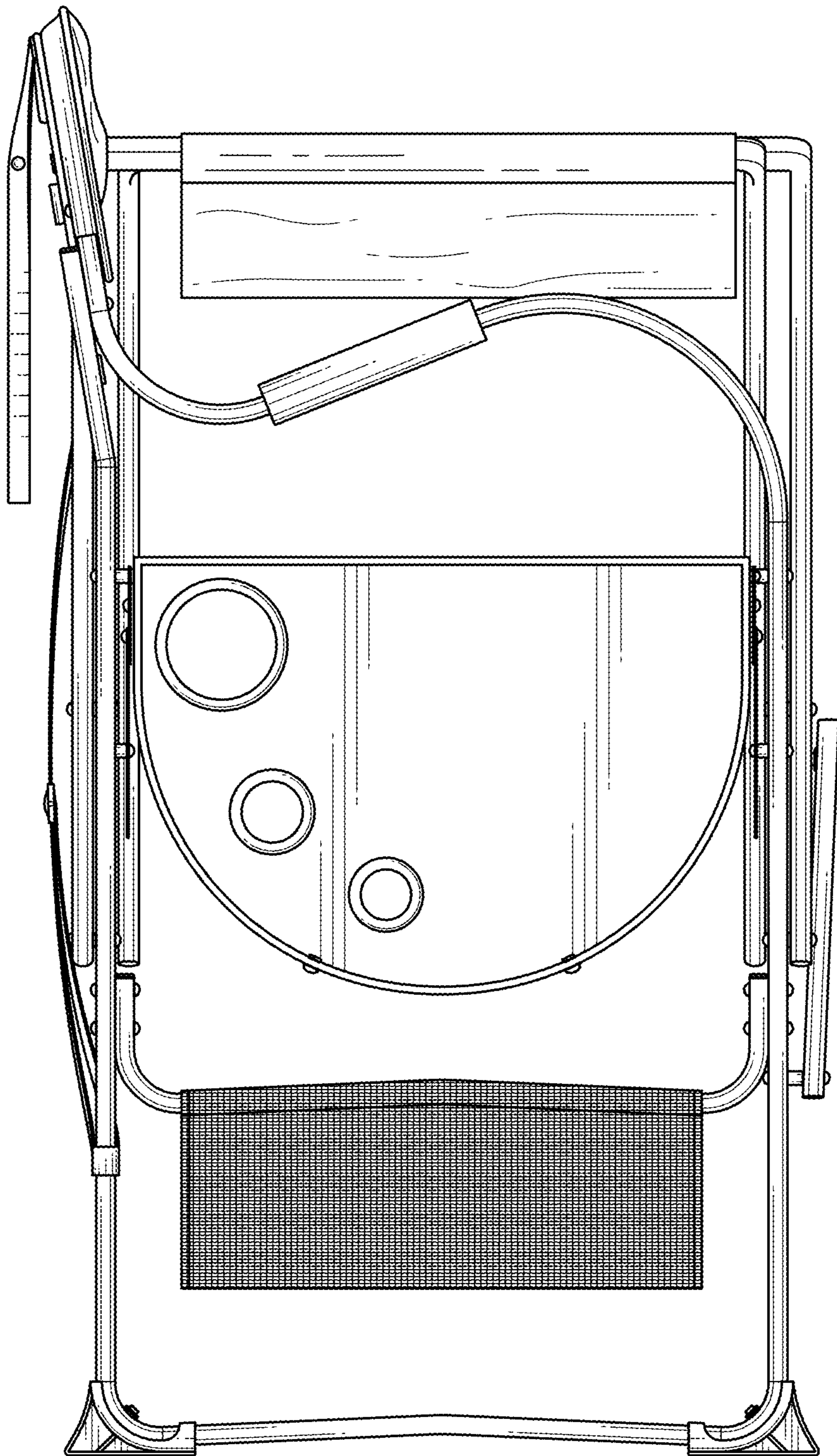


FIG. 11

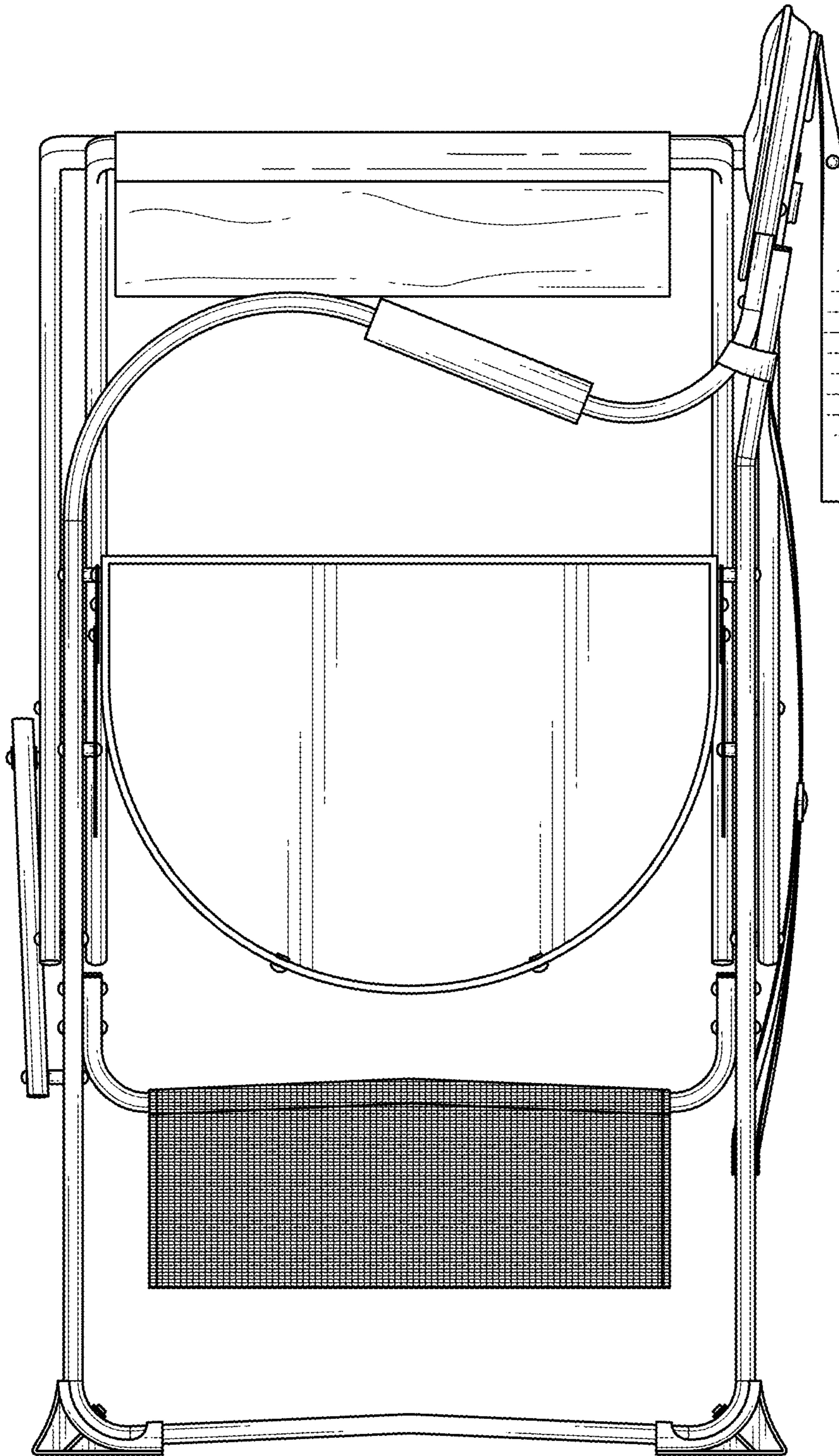


FIG. 12

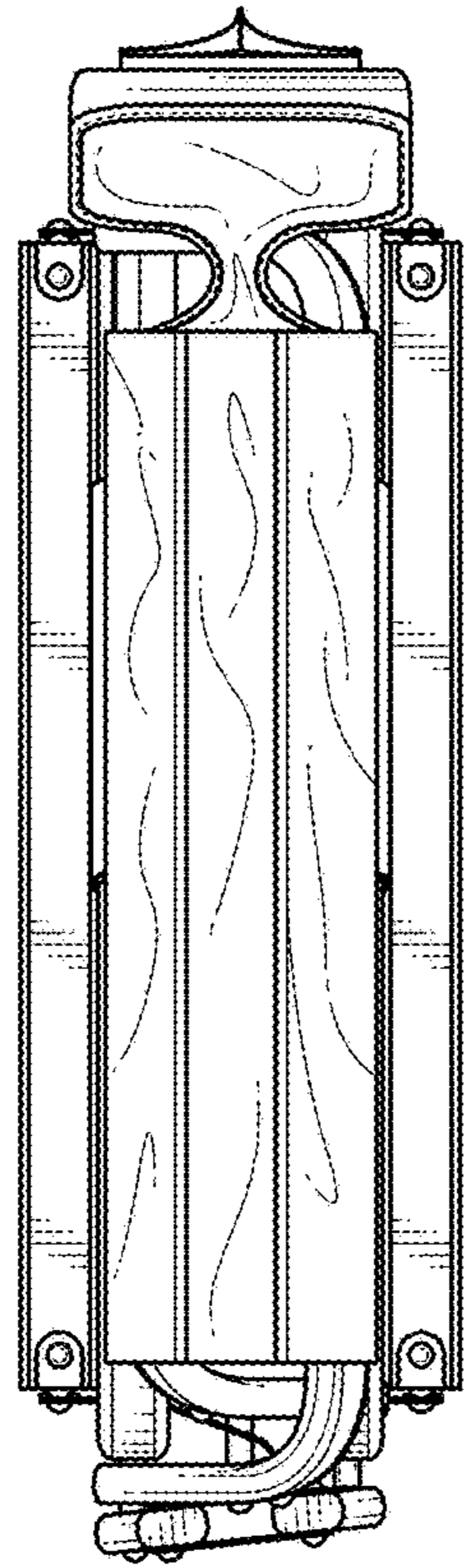


FIG. 13

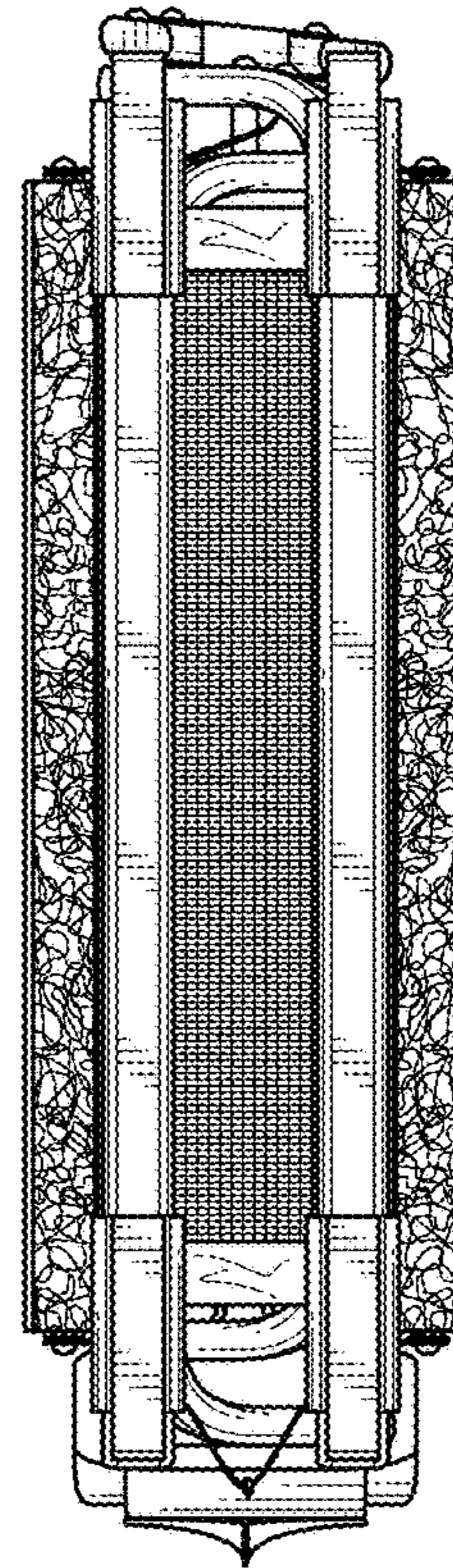


FIG. 14